

# QUADRA-FIRE®

## BLOWER WIRE HARNESS & SPEED CONTROL with SNAP DISC

Part: SRV7000-194

### 4100-I and Bodega Bay Wood Inserts

**Included in Kit:** Wire Harness & Speed Control

**Tools Required:** 5-32 Wrench & Phillips Head Screwdriver



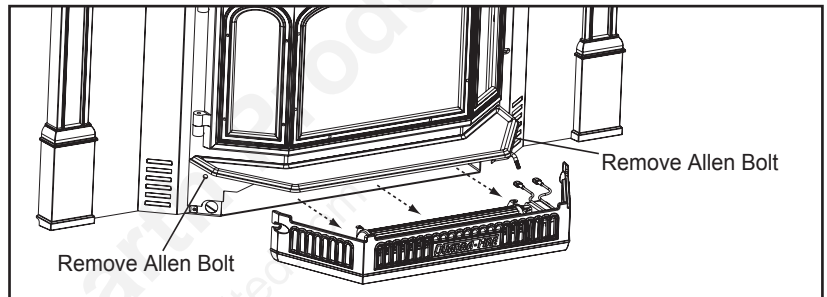
**CAUTION**

**UNPLUG BLOWER BEFORE SERVICING.**

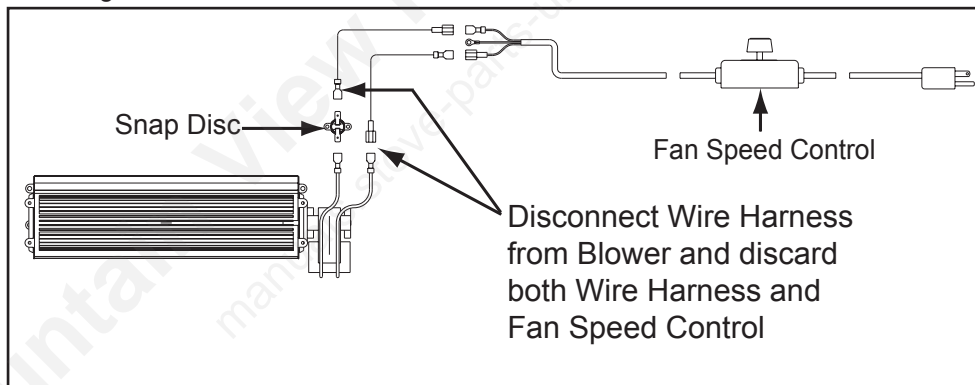


### Replacing Wire Harness & Speed Control

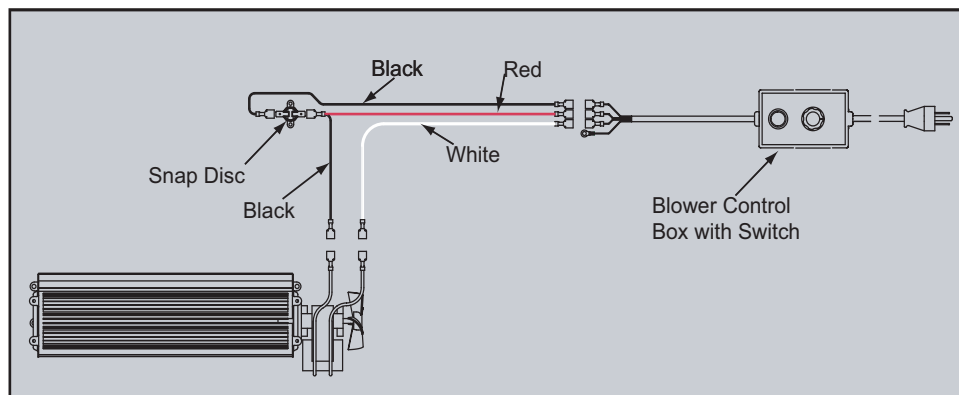
1. Unplug blower.
2. Remove lower cast grille by removing bolts from both sides of the insert and slide the cast grille towards you. Figure 1
3. Completely disconnect wire harness from the blower and discard both the wire harness and the fan speed control. Figure 2.
4. Install new wire harness and attach like wire colors together (i.e., black to black, red to red and white to white). Figure 3
5. Re-attach lower cast grille.



**Figure 1 - Remove Grille**



**Figure 2 - Original Wire Harness**



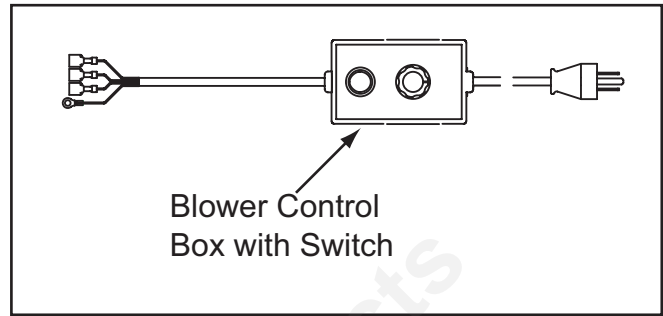
**Figure 3 - Replacement Wire Harness**

HEARTH & HOME  
technologies

## Replacing Blower Control Box with Switch Only Part 7000-194

Beginning in mid-December 2004, with Serial Number 1453128, the new wire harness and blower control box with switch were installed at the factory on the unit. If you need to replace the control box only on these units, order Part 7000-194. You do not need to order the wire harness also.

If you have an earlier model and need to replace the speed control, we recommend that you replace both the wire harness and the control box. Order Part SRV7000-194.



## Operating the Blower Control Box with Switch

1. The blower will turn ON/OFF automatically when set to AUTO.
2. To over-ride the internal snap disc, turn the setting to MANUAL. The blower will now turn ON/OFF only when you turn it to ON or OFF.
3. Adjust the speed of the fan by turning the HIGH/LOW knob to the desired setting.

