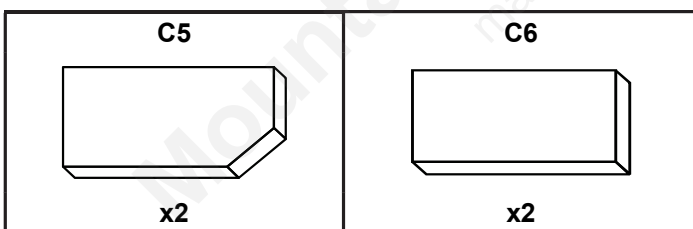
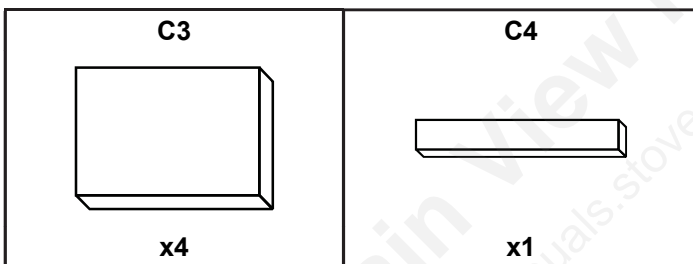
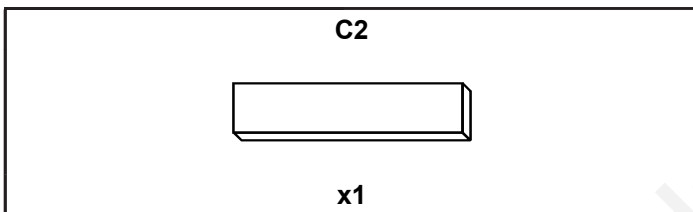
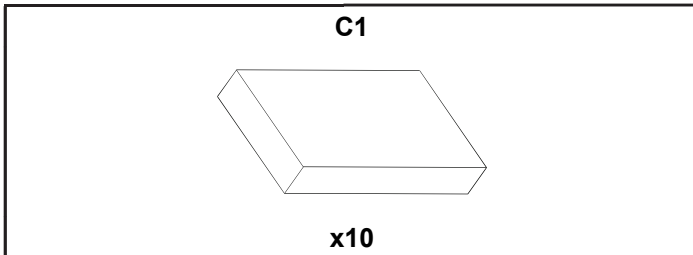


**FOR WOOD APPLIANCE:  
 EXPLORER II FREE STANDING**

**Included in Kit:**



**Tools Needed:**

Leather gloves, vacuum cleaner, and metal bucket and scoop made out of noncombustible material

**Included in kit:**

Id	Description	Qty
C1	Brick, 9 x 4.5 x 1.25	10
C2	Brick, 9 x 2 x 1.25	1
C3	Brick, 6.6875 x 4.5 x 1.25	4
C4	Brick, 9 x 1.5 x 1.25	1
C5	Brick, 9 x 4.5 x 1.25 with Angle	2
C6	Brick, 6.625 x 3.75 x 1.25	2

**CAUTION**

**Injury Risk.**

- Gloves recommended

**CAUTION**

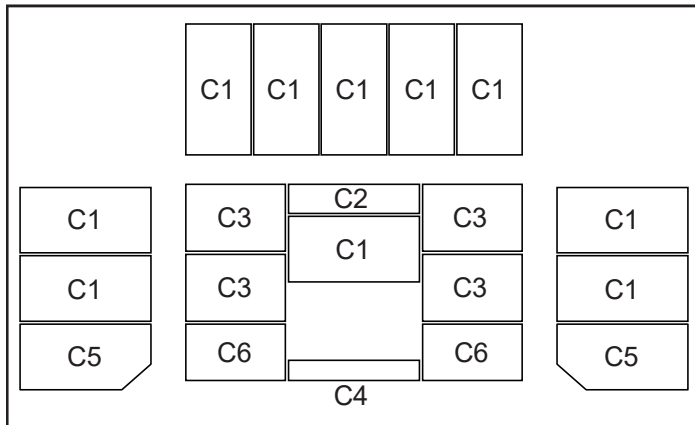
Ensure appliance is completely cooled before completing this service replacement.

**WARNING**

**Fire Risk.**  
**Disposal of Ashes**

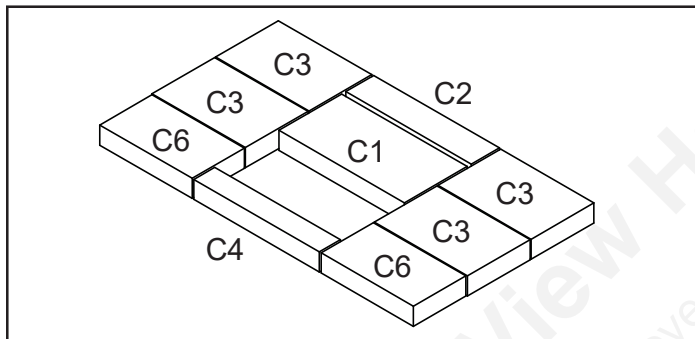
- Ashes should be placed in metal container with tight fitting lid.
- Do not place metal container on combustible surface.
- Ashes should be retained in closed container until all cinders have thoroughly cooled.

1. After the coals have completely cooled. Remove all old brick and ash from appliance; vacuum firebox.
2. Remove new brick set from box and lay out to diagram shown in **Figure 1**.



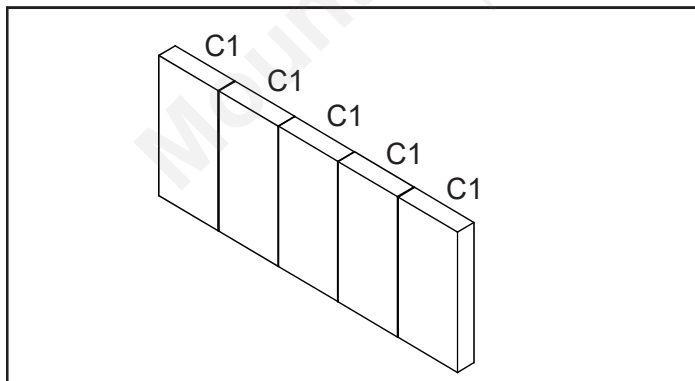
**Figure 1**

3. Install bottom bricks. Lay bottom bricks in appliance (**Figure 2**).



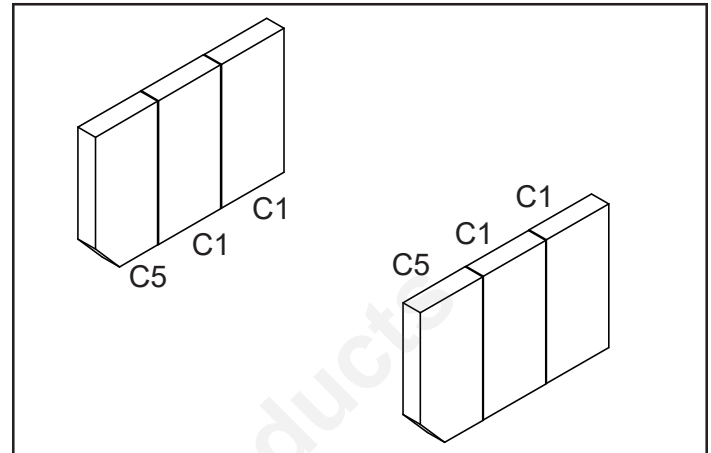
**Figure 2**

4. Install rear bricks at the back of the appliance. Slide the bricks under clip on back of firebox wall and push into place (**Figure 3**).



**Figure 3**

5. Install side bricks. Slide top of brick under clips on side of firebox and push the bottom of the brick until it is flush with the side of the appliance (**Figure 4**).



**Figure 4**



### CAUTION

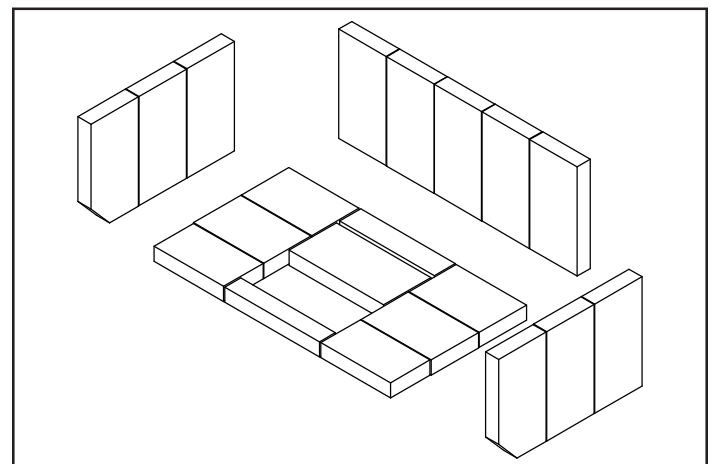
- Ensure that the firebricks are correctly positioned
- Firebox does not contain any broken bricks prior to operating the unit.

**NOTE:** The firebox is lined with high quality firebrick, which has exceptional insulating properties. **DO NOT** operate appliance without the firebrick.

#### Associated Brick Service Part Numbers

Part Number	Description
832-0550	Single Brick
832-3040	Brick uncut (pkg of 6)

6. Completed brick assembly inside of firebox should appear as shown in **Figure 5**.



**Figure 5**