

Builder 800 Fireplace System Installation Instructions

28" and 36" Front Opening Fireplaces

GENERAL INFORMATION

INTRODUCTION

This brochure covers installation of Superior Fireplace Company Builder 800 zero-clearance fireplace Models 836, 836M and 828. Topics covered include fireboxes, flue pipe assembly, use of flue pipe accessories, framing dimensions and details, code approvals, and facing/hearth suggestions. The Installation Instructions are laid out in the same sequence used to assemble the Builder 800 Fireplace system. Please see separate set of Installation Instructions for termination/cap devices used with Builder 800 fireplace systems.

APPROVALS AND LISTINGS

Builder 800 fireplace systems are listed by Underwriters Laboratories, Inc., (No. MH-8988), Underwriters Laboratories of Canada (No. MH-701), International Conference of Building Officials (Report 2301), Building Officials Code Administrators International (No. 77-56), & Southern Building Code Congress (No. 72116-78).



LOCAL CODES

Local building codes should always be constructed in advance of fireplace planning and installation to establish compliance for factory built fireplaces and factory built chimneys.

CLEARANCE TO COMBUSTIBLES

Builder 800 fireplaces may be placed directly on a combustible floor, against a combustible wall or upon a raised wooden platform.

Framing may be placed directly against the side and back spacers of the fireplace.

Chimney sections on all Builder 800 fireplace systems require a 1" clearance to combustibles. The terms chimney and flue are synonymous.

Combustible floors in front of the fireplace opening must be protected with a hearth extension. See page 6.

Any adjacent combustible wall must either be 24" minimum from the fireplace opening or must be protected with a wall shield. See page 6.

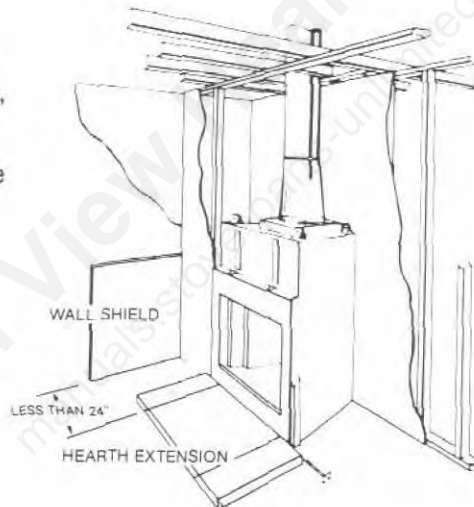


FIGURE 1

CHIMNEY (FLUE PIPE) SYSTEMS

Superior Builder 800 zero clearance Model 836 and 828 fireplace systems are designed and code listed for use only with Superior Air Syphon 8" (inner pipe diameter) and Superior Air Kool 10" (inner pipe diameter) chimney sections, offset/return elbows, fittings and roof termination devices.

The 10" AIR KOOL 3-piece chimney system consists of an inner pipe (10" diameter), intermediate pipe (12½" diameter), and outer pipe (15" diameter). This 10" Air Kool chimney system may be used on

Model 836, 836M and Model 828 Builder 800 fireplaces.

The more economical 8" AIR SYPHON 3-piece chimney system may also be used on Builder 800 Model 836, 836M and Model 828 fireplaces and consists of an inner pipe (8" diameter), intermediate pipe (10" diameter), and outer pipe (12½" diameter). The 8" Air Syphon chimney system requires the use of a starter section (AS8-SS) on both fireplace models 836 and 828. The AS8-SS starter section reduces the chimney from 10" to 8" diameter. The AS8-SS starter section may be attached directly to the fireplace collar or immediately following any 10" system Air Kool chimney component. All flue pipe installed beyond the AS8-SS starter section must then be 8" Air Syphon components.

| MINIMUM SYSTEM HEIGHTS | | |
|------------------------|----------|------------|
| MODEL # | AS8 FLUE | AK 10 FLUE |
| B 828 | 12'-2" | 12'-2" |
| B 836 | 16'-0" | 12'-2" |
| B 836M | 16'-0" | 12'-2" |

Superior Builder 800 fireplace systems are code listed for 80' maximum heights. These measurements include the fireplace, flue pipe, and the "effective height" of the termination device. See page 8.

Total fireplace system installation height is measured from the bottom of the fireplace (not refractory floor level) to the point of the flue gas outlet in the termination device.

Height of vertical flue pipe supported only by the fireplace must not exceed 30 feet. Flue heights above 30 feet must be supported by an S-4 unitized stabilizer installed at 30 foot intervals. See page 6.

Builder 800 chimney designs which include one or two offset sections are permissible in a single flue system. Up to 2 offset elbows and 2 return elbows may, therefore, be used in a single flue pipe system. Maximum offset of any one section of flue pipe system is 30°. Therefore, two offset elbows may not be assembled together to form a 60° offset.

Builder 800 Fireplace System Installation Instructions

24" and 36" Front Opening Fireplaces

CHIMNEY (FLUE PIPE) SYSTEMS (CONT'D.)

A 30° offset elbow and a 30° return elbow with a 12" length of chimney in between may be assembled to constitute the smallest offset section. See pages 6 & 7.

An offset elbow, angling in any direction, may be the first piece of flue pipe off the top of the fireplace. If two offset sections are used, the minimum installation height is 25'0".

FIRESTOP SPACERS are always installed at ceiling level except where flue passes into an attic space. If attic above, firestop spacer must be placed on the upper side of the framed opening. Firestop spacers are available for both straight and offset flue pipe sections. (See page 15).

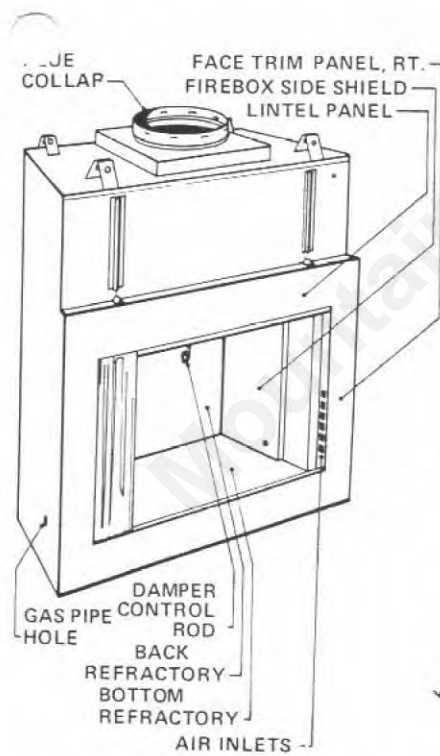


FIGURE 2

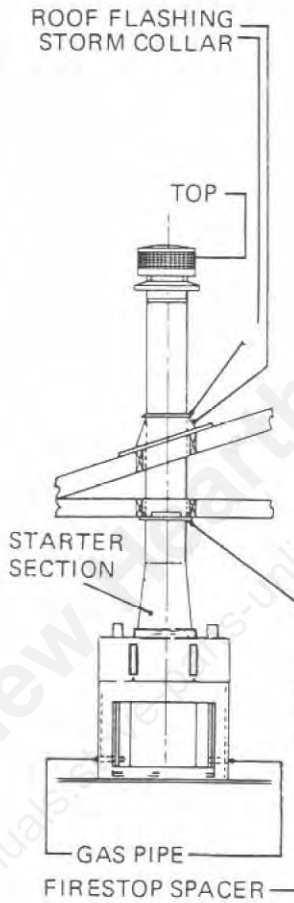


FIGURE 3

CORNER INSTALLATION DIMENSIONS

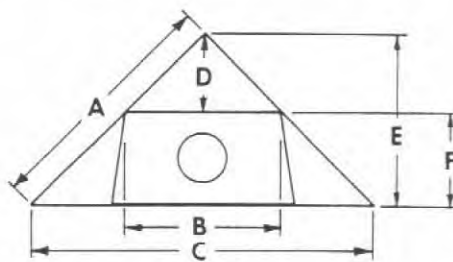


FIGURE 4

| | A | B | C | D | E | F |
|-------|---------|---------|---------|---------|---------|-----------|
| B828 | 49 1/2" | 21" | 70" | 10 1/2" | 35" | 24 1/2" |
| B836M | 56 1/4" | 30 1/2" | 79 1/2" | 15 1/4" | 39 3/4" | All Units |

LISTING OF COMPONENT PARTS BUILDER 800 FIREPLACE SYSTEM

Model 828 28" Front Open
 Model 836 36" Front Open
 Model 836M 36" Front Open
 All Masonry interior.

8" AIR SYPHON CHIMNEY SYSTEM

- AS8-SS Starter Section
- AS8-12 Flue Pipe Section, 3 piece 12" length
- AS8-18 Flue Pipe Section, 3 piece, 18" length
- AS8-36 Flue Pipe Section, 3 piece, 36" length
- AS8-30 Offset Elbow, 3 piece, 30°
- AS8-E30 Return Elbow, 1 piece (unitized) with 4 support straps 36" long
- AS8-S4 Stabilizer Pipe Section, unitized and strapped 4" length
- AS8-L Locking band for pipe joints
- AS8-FS Firestop Spacer for vertical chimney
- AS8-FS30 Firestop Spacer for 30° chimney
- AS8-F6 Flashing with storm collar 0/12 to 6/12 pitch roof
- AS8-F12 Flashing with storm collar 6/12 to 12/12 pitch roof
- AS8-F60 Flashing with storm collar 60° (A-Frame) roof
- AS8-SC Storm Collar
- AS8-CTD Round Termination
- AS8-UPT Universal Pyramid Termination
- AS8-UTT Universal Tile Termination
- AS8-H1 Single Simulated Brick Termination
- AS8-H2 Double Simulated Brick Termination

10" AIR KOOL CHIMNEY SYSTEM

- AK10-12 Flue Pipe Section, 3 piece, 12" length
- AK10-18 Flue Pipe Section, 3 piece, 18" length
- AK10-36 Flue Pipe Section, 3 piece, 36" length
- AK10-30 Offset Elbow, 3 piece, 30°
- AK10-E30 Return Elbow, 1 piece (unitized) with 4 support straps 36" long
- AK10-S4 Stabilizer Pipe Section, unitized and strapped 4" length
- AK10-L Locking Band for pipe joints
- AK10-FS Firestop Spacer for vertical chimney
- AK10-FS30 Firestop Spacer for 30° chimney
- AK10-F6 Flashing with storm collar 0/12 to 6/12 pitch roof
- AK10-F12 Flashing with storm collar 6/12 to 12/12 pitch roof
- AK10-F60 Flashing with storm collar 60° (A-Frame) roof
- AK10-SC Storm Collar
- AK10-CTD Round Termination
- AK10-UPT Universal Pyramid Termination
- AK10-UTT Universal Tile Termination
- AK10-H1 Single Simulated Brick Termination
- AK10-H2 Double Simulated Brick Termination

Note: See separate Installation Instructions for Air Syphon and Air Kool termination devices. At time of printing, catalog numbers above were current. Superior reserves the right to change model numbers, discontinue products, and/or replace them with other designs which meet code listings and safety standards. Should any question arise, upon request Superior will promptly provide an explanation of changes, if any, and current listing. Every attempt is made to keep printed literature current, but Superior will not be held liable for problems which arise due to changes, etc.

DIMENSIONS FOR FRAMING

*Two dimensions are Models 828 and 836 respectively. NOTE: Models 836 and 836M have same dimensions.

Allow 1/2" or more for Tolerance and Slip Fit

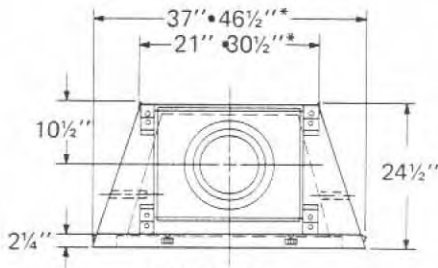


FIGURE 5A

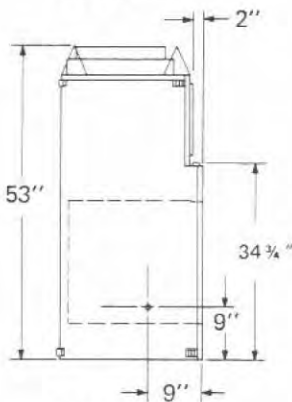


FIGURE 5B

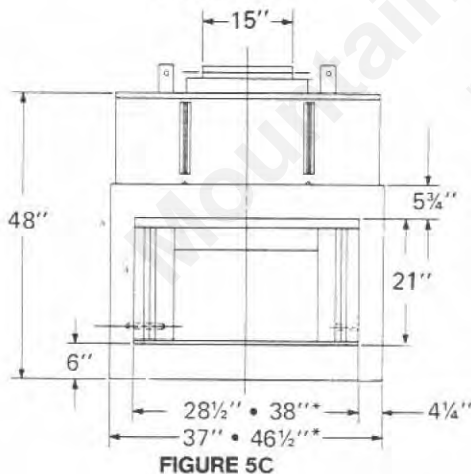


FIGURE 5C

BUILDER 800 INSTALLATION PRE-PLAN CHECKLIST

Location B800 fireplaces may be stalled against or through any wall or diagonally across a corner. See Figure 6.

Consider traffic pattern, windows,

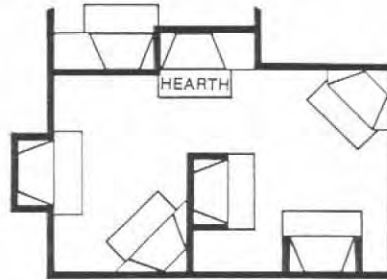


FIGURE 6

doors, raised or flush hearth, load bearing walls, framing for fireplace, inside or outside chase, route of flue pipe through overhead construction.

Gas Line Locate gas source; install gas line in accordance with local codes.

Floor Support No extra reinforcing needed unless heavy surrounds and hearths are planned.

Framing See fireplace framing details, Figures 7-19. Preplan complementary construction such as mantel, bookcases, wood box with outside access, allow for zero clearance to fireplace, 1" clearance to chimney.

Overhead Construction Locate ceiling joists, roof construction—apply chimney rules: 3' and 2'—in 10' (See page 5.)

"Cold Country" Installation Techniques As fireplace installation is completed, be sure to seal all cracks around fireplace and areas through which cold air could enter room. If installation includes an outside chase, it is especially important to insulate chase cavity between stud construction, and under floor on which fireplace rests if floor of outside chase is above ground level.

Offset Chimney Construction See Chimney offset assemblies chart for dimensioning (page 7).

Tools You Need Slot Style screwdriver · Claw hammer · Saw · Level · Measuring tape · Plumb-line · Drill motor and bits · Saber-saw or equivalent · Common pliers · Crowbar · Carpenter square · Cutting chisel · If gas pipe is used: Pipe wrench · pipe dope · pipe cutter · pipe threader

INSTALLATION INSTRUCTIONS

STEP 1 – DECIDE NOW... if fireplace is to be installed with raised hearth ...upon the style of hearth in front of Builder 800—see section on Hearth Extensions/Construction Details before proceeding...if gas log lighter or gas log sets will be used—see details on gas pipe planning. (See Figure 20).

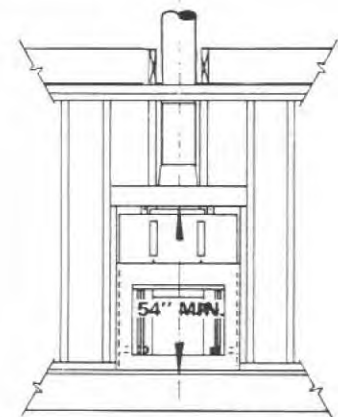


FIGURE 7

STEP 2 – CHECK OUT Carefully check all parts of your fireplace system. Assure that no freight damage has occurred. Read each step of these Installation Instructions before starting assembly, read separate instructions packed with termination selected and consider each item in the Builder 800 Installation Pre-Plan Checklist before you begin. You are cautioned against using makeshift compromises during installation which may create a fire hazard or smoking condition.

STEP 3 – BEGIN INSTALLATION If fireplace opening is framed before fireplace is positioned, allow minimum clearance of 54" from bottom of header to fireplace platform. (See Figure 7).

Slide fireplace into position on floor or raised fireplace platform. Locate fireplace properly in relationship

Budner 800 Fireplace System Installation Instructions

28" and 36" Front Opening Fireplaces

to adjacent wall materials: if dry wall or wall paneling is to be used, measure dry wall or paneling thickness and position fireplace forward of wall studs enough to allow wall material to fit flush against side of fireplace to form smooth joint. (See Figure 8).

Check level of fireplace, both side to side and front to back. If necessary, insert shim to level. (See Figure 9).

It is suggested that the fireplace then be securely fastened into position: Nail support blocks onto floor or fireplace platform at either side and back of fireplace.

FIGURE 8

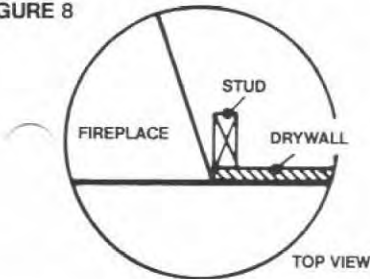
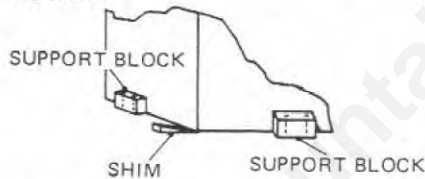
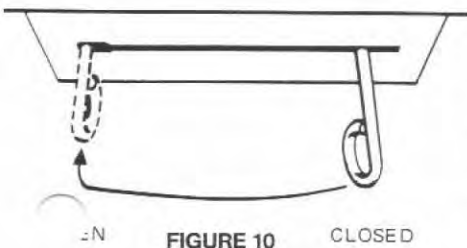


FIGURE 9



STEP 4 – DAMPER CHECK Check damper operation and clearances. Damper rod handle extends down from inside top of firebox. Push up to open, pull down to close. Move to right to lock. (See Figure 10).



STEP 5 – CHIMNEY ROUTE Cut and frame openings for chimney route up and through ceiling and

roof construction or into outside chase. Roof framing must be 2x4s or 2x6s securely nailed to support roof flashing. See Figures 11 and 12 and note chart on framing dimensions.

Note: On vertical flue pipe runs a simple technique for aligning chimney passages is to plumb from ceiling level directly above hole which has just been completed.

On straight flue pipe run from top of fireplace, plumb to center of flue collar from ceiling directly above, drive nail through ceiling from below to mark position, and then mark and cut passage from above ceiling (around nail). (See Figure 13).

FRAMING DIMENSIONS FOR CHIMNEY ROUTE

Minimum allowable (Includes clearance)

| TYPE FLUE | CEILING OPENING | | ROOF OPENINGS | |
|---|-----------------|---------|---------------|-----------------|
| | "A" | "B" | PITCH | "C" "D" |
| 10" Air Kool, Vertical | 17" | 17" | 0/12 | 17" 17" |
| Air Kool, Offset 30° | 17" | 26" | 6/12 | 17" 19" |
| (offset applies only to ceiling openings) | | | 12/12 | 17" 24" |
| 8" Air Syphon, Vertical | 14 1/2" | 14 1/2" | 0/12 | 14 1/2" 14 1/2" |
| Air Syphon, Offset 30° | 14 1/2" | 25" | 6/12 | 14 1/2" 17" |
| (offset applies only to ceiling openings) | | | 12/12 | 14 1/2" 21 1/2" |
| | | | 60° | 17" 34" |

*Note:
Align chimney opening in same direction as offset flue pipe.

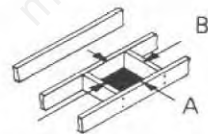


FIGURE 11

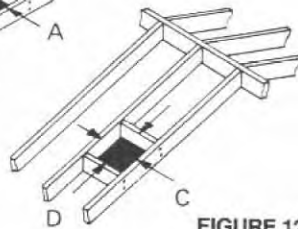


FIGURE 12

STEP 6 – FLUE PIPE ASSEMBLY

Beginning at fireplace flue collar, attach inner flue pipe (or offset) section first, followed by intermediate pipe section, and then outer pipe section. Note: Inner flue pipe assembly fits inside previous section, but intermediate and outer pipe section fit over or outside previous section. (See Figure 14) Install the inner pipe with the hemmed end down. Intermediate and outer pipes are installed with

hemmed end up. Firestop spacers should be installed at each ceiling level prior to the flue pipe reaching above the ceiling level. (See Figure 15).

Continue to build flue pipe assembly up and through framed openings, but do NOT assemble flue pipe section which goes through roof opening.

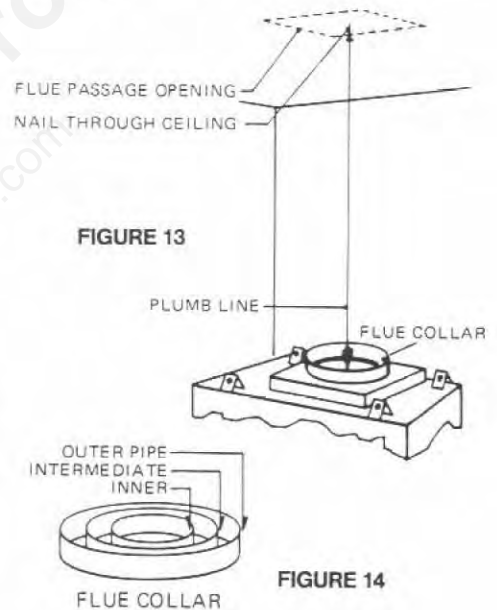


FIGURE 13

FIGURE 14

STEP 7 – ROOF FLASHING

Remove roof flashing from packaging and center carefully over roof passage hole. Nail temporarily into position, so flashing will not slide off center. Note: If conical style flashing is used, make sure it has proper pitch by sliding outer pipe section down into the flashing cone. Make sure proper alignment exists with flue pipe below, and that flue pipe will fit in fully vertical position as it passes through flashing. (Do not lock outer pipe section into position with flue pipe below.) Check vertical alignment of outer flue pipe section with level. If necessary, adjust position of flashing to allow proper vertical alignment of flue pipe. Remove outer section of flue pipe from flashing cone.

Secure flashing in place permanently by nailing along perimeter into roof construction. If shingled

roof, cover the side and upper flashing with roofing material, but cover the roofing with the lower part of the flashing. Cover nail heads with mastic. Beginning with inner section, add flue pipe to bring chimney up through roof and flashing. (See Figure 16).

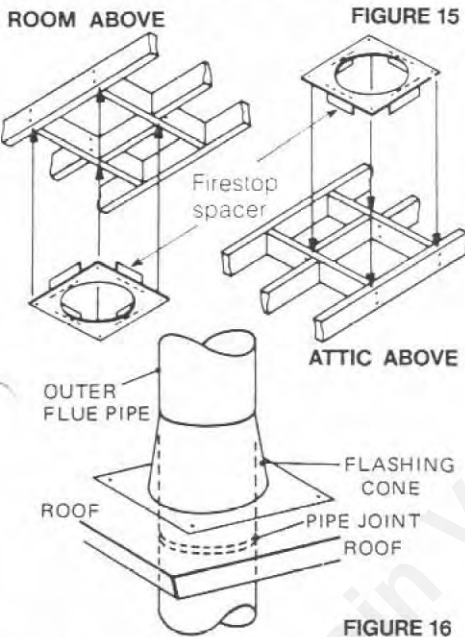


FIGURE 15

ATTIC ABOVE

FIGURE 16

STEP 8 – STORM COLLAR If flashing assembly includes a storm collar, as with conical style flashings, slide storm collar over outer flue pipe section, insert storm tab in slot, pull tight, and bend tab back over slot. (See Figure 17).

Seal storm collar to outer flue pipe with mastic bead around entire circumference of pipe. Also add extra mastic to storm collar joint and tab/slot area to seal completely against water penetration.

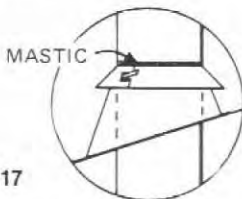


FIGURE 17

STEP 9 – CHIMNEY HEIGHTS ABOVE ROOF See separate Installation Instructions packaged with each termination. General

Notes: Extension of chimney above roof, as required by UBC and NFPA 211, shall be at least 3 feet above the highest point where it passes through the roof of the building, and also shall be at least 2 feet higher than any part of the building (including roof) within 10 feet. (See Figure 18).

The amount of "effective flue length" of the termination device is used in calculating the 3 feet and "2-feet-in-10-feet" measurements above. (See illustrated termination instructions.)

The 2-in-10 rule is necessary in the interest of safety and does not insure smoke-free operation. Trees, buildings, adjoining rooflines, adverse wind conditions, etc., may require a taller chimney should a smoking condition exist.

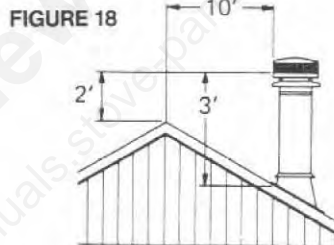


FIGURE 18

STEP 10 – TERMINATION Refer to separate Installation Instructions for chimney termination and assembly information.

STEP 11 – COMPLETION OF FRAMING If fireplace was positioned after preliminary framing was completed, add false header to complete framing. (See Figure 19) Complete facing wall by positioning dry wall, paneling. (See Figure 8) Reference should be made to drawing (page 1) showing fireplace location relative to adjacent wall surfaces. Note first page precautions on clearances to combustible wall surfaces.

To prevent cold air from entering the room when the fireplace is not in use and to reduce the loss of heated air when it is, seal the joints between the fireplace facing and the wall surrounds with non-combustible materials. Consult local

building codes for specific requirements.

If a mantel is to be used, it should be at least 12" above the fireplace opening.

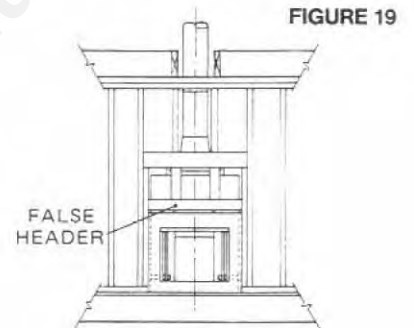


FIGURE 19

GAS LINE INSTALLATION A gas line should be installed before the fireplace is framed. Remove knock out plug at lower left or right side of fireplace. Use only 1/2" black iron pipe through fireplace wall for connection to a log lighter or gas log unit inside the firebox. Outside, the iron pipe connects to a gas shut off valve recessed flush into a wall or floor and controlled by removable valve key for safety. Re-pack insulation provided snugly around gas line to effectively seal the square gas line inlet.

Plumb gas line per state and local codes. Check all connections with soap suds; leaks will bubble. Never test with a match. (Fig. 20A, B).

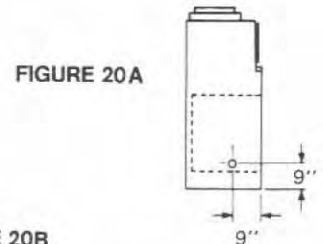


FIGURE 20A

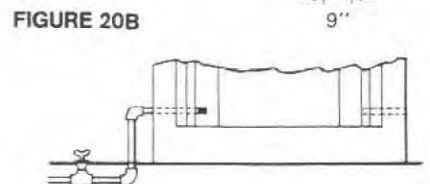


FIGURE 20B

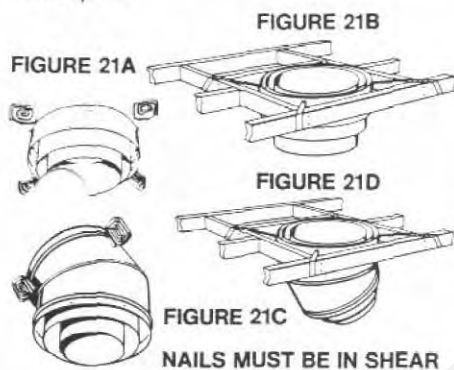
Builder 800 Fireplace System Installation Instructions

28" and 36" Front Opening Fireplaces

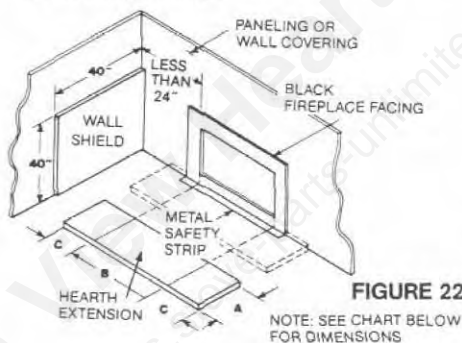
SPECIAL UNITIZED STABILIZERS

For Air Syphon 8" chimney systems—AS8-S4 4" long, unitized and strapped straight pipe (Figures 21A and 21B); AS8-E30 unitized and strapped 30° elbow (Figure 21C and 21D).

Install by fitting inner and intermediate sections down into respective sections of preceding flue pipe and locking outer stabilizer section into place over the outer flue pipe. Position for proper clearance through framed opening and nail straps securely (under tension) into place on framing. Attached successive lengths of flue pipe directly to stabilizer or elbow using same technique as described in Step 6.



- Crack between fireplace and hearth extension must be sealed with non-combustible material. It is recommended that the 4" wide metal safety strips provided with the fireplace be used on a combustible floor extending 2" under the firebox at the point where the hearth extension meets the fireplace.
- If a combustible side wall is closer than 24" to the fireplace opening, a wall shield is required. Use either metal wall shields Model No. AK10-WS-40, manufactured by Superior Fireplace Co., a 40" x 40" x 1" millboard or equivalent* non-combustible material.
- Combustible mantel, if present, must be a minimum 12" above firebox opening.

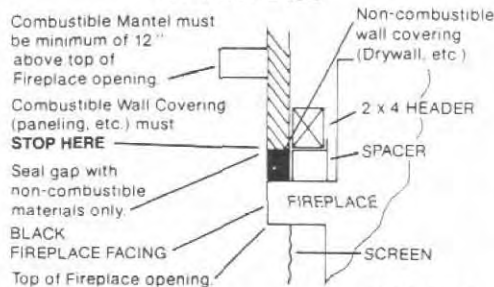


*For information regarding equivalent non-combustible materials and construction details, contact Superior Fireplace Company, Customer Service Department.

HEARTH EXTENSION DIMENSIONS (INCHES)

| LTR | B800 | |
|-----|------|-----|
| | 828 | 836 |
| A | 16 | 20 |
| B | 28½ | 38 |
| C | 8 | 12 |

CROSS SECTION AT TOP OF FIREPLACE



NOTE: DIAGRAMS & ILLUSTRATIONS NOT TO SCALE

INSTRUCTIONS ON USE OF YOUR BUILDER 800 FIREPLACE

WARNING: DO NOT install glass doors on this Superior Builder 800 Fireplace.

Superior Builder 800 Fireplaces are designed to be zero clearance to combustible framing materials. The firebox is insulated but for additional cooling it relies upon air drawn in through the openings located in both firebox side shields behind the fire screen. Altering or blocking these air inlets can constitute a potential fire hazard and relieves the manufacturer of any express or implied warranties.

1. Obtain best results by using a steel grate or andirons to hold the wood or logs. A Superior high-backed grate provides extra air circulation for easier, better burning and protects the firebox floor.
2. Open damper—slide damper rod left, push up—check to see that damper is in full open position.
3. Crumple newspapers on the grate and lay in some kindling or small pieces of dry wood for starter. Then place three logs to the rear of your grate or andirons and light newspapers. Slightly open a window for air circulation if your house is well insulated. Important: always use the three log configuration for fast lighting and satisfactory burning.
4. Position or close screen to prevent escape of sparks and embers on the floor.
5. Close damper completely only when your fire is completely out and ashes are cold. Keep closed when fireplace is not in use to prevent unnecessary loss of heated or cooled air.

TIPS ON FIREPLACE USE

1. Why use a grate? It's important in the use of your Builder 800 fireplace. Besides positioning the fire bed properly, it protects the refractory floor of your Builder 800 fireplace. Further, it insures a proper flow of combustion air into and around the fire bed producing

BUILDER 800 HEARTH EXTENSIONS / CONSTRUCTION DETAILS

- Combustible materials must not come in contact with the black fireplace facing (shaded area). Use non-combustibles only to overlap or cover this facing.
- Seal the gap between the black facing and the wall surrounds with non-combustible materials only (see cross section diagram below).
- If the floor in front of the fireplace opening is combustible it must be protected with a hearth extension. Use either the metal hearth extension manufactured by Superior Fireplace Co. (Model Nos. AK10 HE-28 or AK10 HE-36), a 1¼" thickness of millboard, or equivalent* non-combustible material. These materials may be covered with a decorative non-combustible veneer.

the hottest type of fire and maximum burning efficiency.

2. The firebox contains a furnace refractory floor and back. These are reinforced with steel, but can be cracked and broken with improper use. Dropping logs on the bottom refractory and building fires directly against both refractories can cause damage and premature burnout of these components. Like the metal firebox shields on either side of the firebox, the bottom and back refractories are intended to be sacrificial and may easily be replaced at costs far below repair and maintenance costs for masonry-built fireplaces.

Proper care and "burn-in" of your firebox will prolong the period of enjoyment without maintenance. For the first few fires build small fires - not roaring infernos.

The materials used in the bottom and back refractories of your fireplace contain and absorb moisture. It is important to "cure" the bottom and back refractories in the first use of the fireplace by building modest fires. Under normal usage, it is expected that hairline cracks will appear in the refractory surface.

3. A proper amount of combustion air is important for your fireplace. Fireplaces consume large amounts of oxygen, and it is important to allow an adequate supply of air from the area surrounding the fireplace. If the fireplace cannot obtain a sufficient amount of air it may cause smoke spillage from the firebox into the room. Smoke spillage often occurs when a fire is first started until the fireplace and the chimney have had an opportunity to "come up to temperature" and to begin to function normally. If smoke spillage problems persist, a window may be opened just a crack to allow the proper flow of combustion air to the fireplace.

4. Your Builder 800 fireplace system is equipped for "all fuels" operation. Dry and well seasoned hardwoods and coal are recommended, because they provide hot, long

lasting fires. Soft woods generally tend to burn away too quickly. Some types of wood, especially scrap construction lumber, are generally so dry that they produce an excessive amount of sparks. Never use woods that have been dipped in tar, pitch, creosote, etc. Woods which have been dipped in these materials will probably produce a sputtering, smoldering fire; and they may produce toxic fumes. Wood products which are manufactured with synthetic

binders such as plywood, artificial logs, etc., produce abnormally high temperatures as a result of the binding materials. In general, it is best not to use these types of wood products as fuel.

Per Underwriters Laboratories of Canada; "caution is required regarding the need for air for fireplace operation and the possible consequences of starving other fuel burning appliances of combustion, ventilation and dilution air as a result of fireplace operation.

BUILDER 800 CHIMNEY OFFSET ASSEMBLIES CHARTS

BUILDER 800 FIREPLACE SYSTEM WITH 10" AIR KOOL CHIMNEY SYSTEM

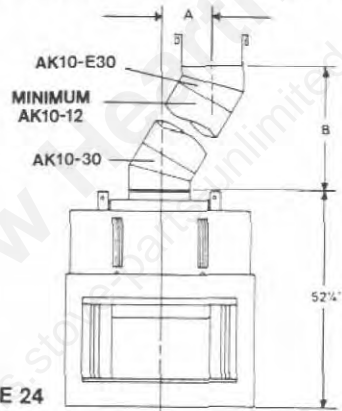


FIGURE 24

| A" | B" | AK10-30 OFFSET ELBOW | AK10-E30 RETURN ELBOW | AK10- 12" FLUE | AK10- 18" FLUE | AK10- 36" FLUE |
|--------|---------|----------------------------|-----------------------------|----------------------|----------------------|----------------------|
| 9 | 23 1/2 | 1 | 1 | 1 | | |
| 12 | 28 1/2 | 1 | 1 | | 1 | |
| 14 | 32 1/2 | 1 | 1 | 2 | | |
| 17 | 38 | 1 | 1 | 1 | 1 | |
| 20 | 43 | 1 | 1 | | 2 | |
| 21 | 44 1/2 | 1 | 1 | | | 1 |
| 22 | 47 | 1 | 1 | 2 | 1 | |
| 25 | 52 | 1 | 1 | 1 | 2 | |
| 28 | 53 1/2 | 1 | 1 | 1 | | 1 |
| 28 1/2 | 57 | 1 | 1 | | 3 | |
| 30 | 58 | 1 | 1 | | 1 | 1 |
| 34 1/2 | 67 1/2 | 1 | 1 | 1 | 1 | 1 |
| 38 | 74 | 1 | 1 | | | 2 |
| 42 | 80 1/2 | 1 | 1 | 1 | 4 | |
| 43 1/2 | 83 1/2 | 1 | 1 | 1 | | 2 |
| 45 1/2 | 87 | 1 | 1 | | 3 | 1 |
| 46 1/2 | 88 1/2 | 1 | 1 | | 1 | 2 |
| 48 1/2 | 92 | 1 | 1 | 2 | | 2 |
| 51 1/2 | 97 1/2 | 1 | 1 | 1 | 1 | 2 |
| 54 1/2 | 102 1/2 | 1 | 1 | | 2 | 2 |
| 55 1/2 | 104 | 1 | 1 | | | 3 |
| 57 | 107 | 1 | 1 | 2 | 1 | 2 |
| 60 1/2 | 113 1/2 | 1 | 1 | 1 | | 3 |

BUILDER 800 FIREPLACE SYSTEM WITH 8" AIR SYPHON CHIMNEY SYSTEM

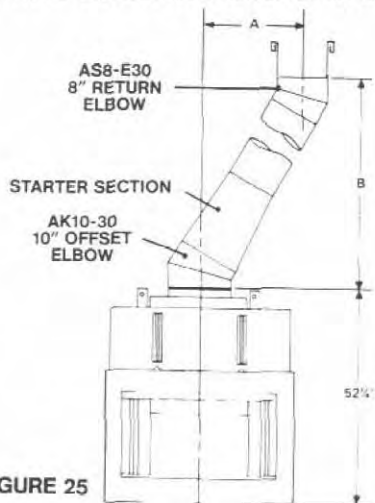


FIGURE 25

| A" | B" | AK10-30 10" OFFSET ELBOW | AS8-E30 8" RETURN ELBOW | AS8-SS START. SEC. | AS8- 12" FLUE | AS8- 18" FLUE | AS8- 36" FLUE |
|--------|---------|-----------------------------------|----------------------------------|--------------------------|---------------------|---------------------|---------------------|
| 13 | 31 1/2 | 1 | 1 | 1 | | | |
| 18 1/4 | 40 1/2 | 1 | 1 | 1 | 1 | | |
| 21 1/4 | 45 1/2 | 1 | 1 | 1 | | 1 | |
| 23 1/4 | 49 1/2 | 1 | 1 | 1 | 2 | | |
| 27 1/4 | 53 1/2 | 1 | 1 | 1 | 1 | 1 | |
| 30 | 60 | 1 | 1 | 1 | | 2 | |
| 31 1/4 | 61 1/2 | 1 | 1 | 1 | | | 1 |
| 32 1/4 | 63 1/2 | 1 | 1 | 1 | 2 | 1 | |
| 35 1/4 | 69 | 1 | 1 | 1 | 1 | 2 | |
| 36 | 70 1/2 | 1 | 1 | 1 | 1 | | 1 |
| 38 1/4 | 74 1/2 | 1 | 1 | 1 | | 3 | |
| 38 1/2 | 75 1/2 | 1 | 1 | 1 | | 1 | 1 |
| 44 1/4 | 84 1/2 | 1 | 1 | 1 | 1 | 1 | 1 |
| 48 1/4 | 91 1/2 | 1 | 1 | 1 | | | 2 |
| 51 1/4 | 97 1/2 | 1 | 1 | 1 | 1 | 4 | |
| 53 | 100 1/2 | 1 | 1 | 1 | 1 | | 2 |
| 55 1/4 | 104 1/2 | 1 | 1 | 1 | | 3 | 1 |
| 56 1/4 | 105 1/2 | 1 | 1 | 1 | | 1 | 2 |
| 58 1/4 | 109 1/2 | 1 | 1 | 1 | 2 | | 2 |
| 61 1/4 | 114 1/2 | 1 | 1 | 1 | 1 | 1 | 2 |
| 64 1/4 | 120 | 1 | 1 | 1 | | 2 | 2 |
| 65 1/4 | 121 1/2 | 1 | 1 | 1 | | | 3 |
| 66 1/2 | 123 1/2 | 1 | 1 | 1 | 2 | 1 | 2 |
| 74 1/4 | 130 1/2 | 1 | 1 | 1 | 1 | | 3 |

NOTE: DIAGRAMS & ILLUSTRATIONS NOT TO SCALE

Builder 800 Fireplace System Installation Instructions

3" and 36" Front Opening Fireplaces

BUILDER 800 VERTICAL INSTALLATION ELEVATION CHART

*...Height from bottom of fireplace to top of chimney, excluding termination device does not include use of 4" unutilized strapped stabilizers pipe at end of each 30' *AS8-CTD round contemporary top adds 6" effective dimension. AS8-H: square and rectangular simulated brick housing add 5" min./19" max. effective dimension.

| NET HT. FIREPLACE & FLUE | HT. OF FLUE ONLY | NO. OF PIPE LENGTHS 12" 18" 36" | | 24" | 18" | 12" | 6" | 53" | 47" | 2" | 1" | |
|--------------------------|------------------|-------------------------------------|--|-----|-----|-----|----|-----|--------|-----|----|----|
| 24" | 6" | | | 1 | 1 | | | 6 | 7 1/2" | 9" | | |
| 24" | 6 1/2" | | | 1 | 1 | | | 6 | 54" | 48" | 1 | 1 |
| 24" | 10 1/2" | | | 2 | | | | 6 | 54" | 48" | | 17 |
| 25" | 4 1/2" | | | 1 | 1 | | | 6 | 55" | 49" | 2 | 1 |
| 26" | 3 1/2" | | | 1 | 1 | | | 7 | 55" | 49" | 1 | 17 |
| 26" | 10 1/2" | | | 2 | | | | 6 | 56" | 50" | 2 | 17 |
| 27" | 4 1/2" | | | 1 | 1 | | | 7 | 56" | 50" | 1 | 17 |
| 27" | 9 1/2" | | | 2 | | | | 7 | 57" | 51" | 1 | 17 |
| 28" | 3 1/2" | | | 1 | 1 | | | 7 | 57" | 51" | 2 | 17 |
| 28" | 10 1/2" | | | 2 | | | | 8 | 58" | 52" | 1 | 18 |
| 29" | 1 1/2" | | | 2 | 1 | | | 7 | 59" | 53" | 1 | 18 |
| 29" | 9 1/2" | | | 1 | 1 | | | 8 | 59" | 53" | 2 | 18 |
| 30" | 3 1/2" | | | 2 | 1 | | | 8 | 59" | 53" | 1 | 18 |
| 30" | 7 1/2" | | | 2 | 1 | | | 8 | 60" | 54" | 2 | 19 |
| 31" | 1 1/2" | | | 1 | 1 | | | 8 | 60" | 54" | 2 | 18 |
| 31" | 9 1/2" | | | 1 | 1 | | | 9 | 61" | 55" | 1 | 19 |
| 32" | 3 1/2" | | | 2 | 1 | | | 8 | 61" | 55" | 2 | 19 |
| 32" | 7 1/2" | | | 1 | 1 | | | 9 | 62" | 56" | 2 | 19 |
| 33" | 1 1/2" | | | 2 | 1 | | | 9 | 62" | 56" | 1 | 19 |
| 33" | 6 1/2" | | | 1 | 1 | | | 9 | 63" | 57" | 2 | 20 |
| 34" | 7 1/2" | | | 2 | 1 | | | 10 | 64" | 58" | 1 | 20 |
| 34" | 10 1/2" | | | 2 | 1 | | | 9 | 64" | 58" | 2 | 20 |
| 35" | 5 1/2" | | | 1 | 1 | | | 10 | 65" | 59" | 1 | 20 |
| 36" | 3 1/2" | | | 2 | 1 | | | 10 | 65" | 59" | 2 | 20 |
| 36" | 4 1/2" | | | 1 | 1 | | | 10 | 66" | 60" | 2 | 21 |
| 36" | 10 1/2" | | | 1 | 1 | | | 11 | 66" | 60" | 2 | 20 |
| 37" | 6 1/2" | | | 2 | 1 | | | 11 | 67" | 61" | 1 | 21 |
| 37" | 9 1/2" | | | 2 | 1 | | | 10 | 67" | 61" | 2 | 21 |
| 38" | 4 1/2" | | | 1 | 1 | | | 11 | 68" | 62" | 2 | 21 |
| 38" | 10 1/2" | | | 2 | 1 | | | 11 | 68" | 62" | 1 | 21 |
| 39" | 3 1/2" | | | 2 | 1 | | | 11 | 69" | 63" | 2 | 22 |
| 39" | 9 1/2" | | | 1 | 1 | | | 11 | 69" | 63" | 2 | 21 |
| 40" | 4 1/2" | | | 1 | 1 | | | 12 | 70" | 64" | 1 | 22 |
| 40" | 7 1/2" | | | 2 | 1 | | | 11 | 70" | 64" | 2 | 22 |
| 41" | 3 1/2" | | | 1 | 1 | | | 12 | 70" | 65" | 2 | 22 |
| 41" | 9 1/2" | | | 2 | 1 | | | 12 | 71" | 65" | 1 | 22 |
| 42" | 1 1/2" | | | 2 | 1 | | | 12 | 72" | 66" | 1 | 23 |
| 42" | 7 1/2" | | | 1 | 1 | | | 12 | 72" | 66" | 2 | 22 |
| 43" | 3 1/2" | | | 2 | 1 | | | 13 | 72" | 67" | 1 | 23 |
| 43" | 6 1/2" | | | 2 | 1 | | | 12 | 73" | 67" | 1 | 23 |
| 44" | 1 1/2" | | | 1 | 1 | | | 13 | 73" | 67" | 2 | 23 |
| 44" | 7 1/2" | | | 2 | 1 | | | 13 | 74" | 68" | 1 | 23 |
| 45" | 3 1/2" | | | 2 | 1 | | | 13 | 74" | 69" | 2 | 24 |
| 45" | 6 1/2" | | | 1 | 1 | | | 13 | 75" | 69" | 2 | 23 |
| 46" | 1 1/2" | | | 2 | 1 | | | 14 | 75" | 69" | 1 | 24 |
| 46" | 4 1/2" | | | 2 | 1 | | | 13 | 76" | 70" | 1 | 24 |
| 47" | 3 1/2" | | | 1 | 1 | | | 14 | 76" | 70" | 2 | 24 |
| 47" | 6 1/2" | | | 1 | 1 | | | 14 | 77" | 71" | 1 | 24 |
| 47" | 10 1/2" | | | 2 | 1 | | | 14 | 77" | 71" | 1 | 25 |
| 48" | 4 1/2" | | | 1 | 1 | | | 14 | 78" | 72" | 2 | 24 |
| 49" | 3 1/2" | | | 2 | 1 | | | 15 | 78" | 72" | 1 | 25 |
| 49" | 7 1/2" | | | 1 | 1 | | | 14 | 79" | 73" | 1 | 25 |
| 50" | 3 1/2" | | | 2 | 1 | | | 15 | 79" | 73" | 2 | 25 |
| 50" | 4 1/2" | | | 1 | 1 | | | 15 | 79" | 73" | 1 | 25 |
| 51" | 1 1/2" | | | 2 | 1 | | | 15 | 80" | 74" | 1 | 25 |
| 51" | 3 1/2" | | | 1 | 1 | | | 15 | 81" | 75" | 1 | 25 |
| 51" | 10 1/2" | | | 2 | 1 | | | 15 | 82" | 76" | 1 | 25 |
| 52" | 1 1/2" | | | 2 | 1 | | | 15 | 83" | 77" | 1 | 25 |
| 52" | 9 1/2" | | | 1 | 1 | | | 16 | 84" | 78" | 1 | 25 |
| 53" | 3 1/2" | | | 1 | 1 | | | 16 | 85" | 79" | 1 | 25 |

HOW TO USE OFFSET ASSEMBLIES AND VERTICAL INSTALLATION ELEVATION CHARTS 1. Use Offset Chart to determine amount of horizontal offset (A) and height (B) for various flue pipe section assemblies. 2. Use "height of flue only" column on Vertical Elevation Chart to determine combination of pipe used above return elbow to achieve desired heights. This does not include 20" AS8-SS starter section. 3. To use Elevation Chart as job estimator, add necessary firestop spacers, one per floor level. Also, add appropriate number of stabilizers. (See General Information on pg. 2 of Installation Instructions for stabilizer requirements). When strapped pipe stabilizer AS8-S4 is used, add 2 1/2" per stabilizer to figure net height of flue pipe system.

Distributed by:

SUPERIOR
The Fireplace Company
Division of MCRFX Corporation

4325 Artesia Avenue
Fullerton, CA 92633

Plants in Fullerton, CA
Baltimore, MD, Union City, TN

Printed in U.S.A.
© 1979 by Superior Fireplace Co.
PN/9182 - R679