



# Leyden Wood Stove Owner's Manual

- Freestanding Stove
- Mobile-Home Approved
- Alcove Approved
- Hearth-Stove Approved

Save these instructions  
for future reference

## **SAFETY NOTICE:**

If this appliance is not properly installed, a house fire may result. For your safety, follow the installation directions. Contact local building or fire officials about restrictions and installation inspection requirements in your area.



**TRAVIS INDUSTRIES  
HOUSE OF FIRE**

4800 Harbour Pointe Blvd. SW  
Mukilteo, WA 98275

© Copyright 2010, T.I.  
\$10.00 100-01177\_005  
4100818



**Listed**

Tested to: U.L. 1482  
Test Report # 028-S-75-2



## General Information

Introduction & Important Information .....	2
Safety Precautions .....	4
Features & Specifications .....	6

## Stove Installation

Planning the Installation .....	7
Preparation for Installation .....	7
Stove Installation Considerations .....	7
Floor Protection Requirements .....	8
Stove Placement Requirements .....	8
Clearances .....	8
Top View - Straight Installation .....	9
Top View - Corner Installation .....	9
Bypass Handle Installation .....	10
Rear Vent Configuration .....	10
Chimney Connector Requirements .....	11
Chimney Requirements .....	12
Chimney Termination Requirements .....	13
Outside Air Requirements .....	13
Alcove Installation Requirements .....	14
Mobile Home Requirements .....	15

## **INSTALLATION DIAGRAMS**

Standard Ceiling with a Factory Built Chimney .....	16
Cathedral Ceiling with a Factory Built Chimney .....	16
Hearth Stove Positive Connection .....	17
Hearth Stove Direct Connection .....	17
Interior or Exterior Masonry Chimney .....	18

## Operating Your Appliance

Safety Notice .....	19
Operating the Stove when it is Hot .....	19
Before Your First Fire .....	19
Curing the Paint .....	19
Over-Firing the Stove .....	19
Opening the Doors .....	20
Bypass Operation .....	21
Loading Lid Operation .....	21
Starting a Fire .....	22
Adjusting the Burn Rate .....	23
Approximate Air Control Settings .....	23

## Operating Your Appliance (continued)

Ash Removal .....	24
Ashpan Removal .....	24
Blower Operation .....	25
Re-Loading the Stove .....	25
Overnight Burn .....	25
Normal Operating Sounds .....	25
Hints for Burning .....	26
Selecting Wood .....	26
Why Dry Wood is Key .....	26
Wood Cutting and Storage .....	26
Burn Procedure Pictorial Overview .....	27
Troubleshooting .....	29

## Maintaining Your Appliance

Daily Maintenance (while stove is in use) .....	30
Remove Ash (if necessary) .....	30
Clean the Glass (if necessary) .....	30
Monthly Maintenance (while appliance is in use) .....	31
Door and Glass Inspection .....	31
Creosote - Formation and Need for Removal .....	31
Yearly Maintenance .....	32
Touch Up Paint .....	32
Cleaning the Air Duct and Blower (if applicable) .....	32
Door Parts .....	34
Replacing the Glass .....	34
Replacing the Door Gasket .....	34
Replacing the Loading Lid Gasket .....	34
Replacing the Door Handle .....	34
Firebox Parts .....	35
Brick Removal & Replacement .....	35
Combustor Removal & Replacement .....	35

## Warranty

Warranty .....	37
----------------	----

## Listing Information

Listing Information .....	38
---------------------------	----

## Optional Equipment

Rear Blower Installation .....	39
--------------------------------	----

## Index

Index .....	40
-------------	----

## Safety Precautions

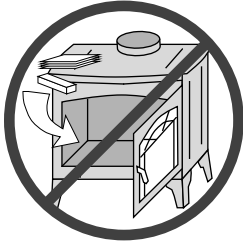


The viewing door must be closed and latched during operation.

Never block free airflow through the air vents on this appliance.



Gasoline or other flammable liquids must never be used to start the fire or "Freshen Up" the fire. Do not store or use gasoline or other flammable liquids in the vicinity of this appliance.



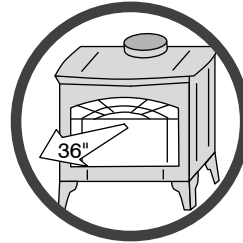
This appliance is designed and approved for the burning of cord wood only. Do not attempt to burn any other type of fuel other than cord wood in this appliance, it will void all warranties and safety listings.



Ashes must be disposed in a metal container with a tight lid and placed on a non-combustible surface well away from the home or structure.



Do not touch the appliance while it is hot and educate all children of the danger of a high-temperature appliance. Young children should be supervised when they are in the same room as the appliance.



Keep furniture, drapes, curtains, wood, paper, and other combustibles a minimum of 36" away from the front of the appliance.



This appliance must be properly installed to prevent the possibility of a house fire. The instructions must be strictly adhered to. Do not use makeshift methods or compromise in the installation.

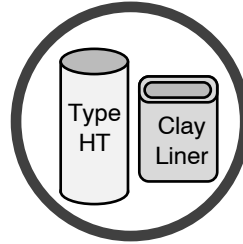


Contact your local building officials to obtain a permit and information on any installation restrictions or inspection requirements in your area. Notify your insurance company of this appliance as well.



Inspect the chimney connector and chimney at least twice monthly and clean if necessary. Creosote may build up and cause a house fire.

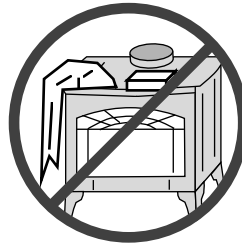
Do not connect this appliance to any chimney serving another appliance.



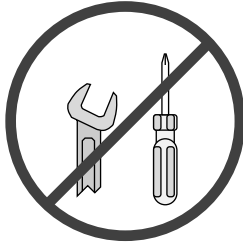
This appliance must be connected to a listed high temperature (UL 103 HT) residential type chimney or an approved masonry chimney with a standard clay tile, or stainless steel liner.



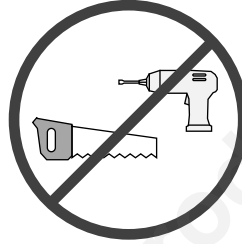
When installed in a mobile home, this appliance must be bolted to the floor, have outside air, and not be installed in the bedroom (Per H.U.D. requirements). Check with local building officials.



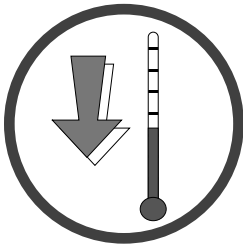
Do not place clothing or other flammable items on or near this appliance.



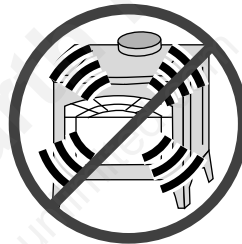
Never try to repair or replace any part of this appliance unless instructions are given in this manual. All other work must be done by a trained technician.



Do not make any changes or modifications to an existing masonry fireplace or chimney to install this appliance.



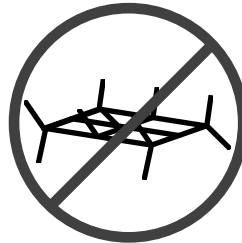
Allow the appliance to cool before carrying out any maintenance or cleaning.



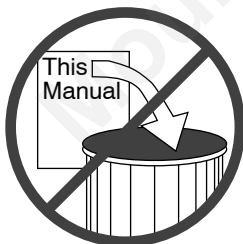
Do not make any changes to the appliance to increase combustion air.



Maintain the door and glass seal and keep them in good condition.



Do not use a grate or other device to elevate the fire off of the firebox floor. Burn the fire directly on the bricks.



Do not throw this manual away. This manual has important operating and maintenance instructions that you will need at a later time. Always follow the instructions in this manual.



**Travis Industries, Inc. grants no warranty, implied or stated, for the installation or maintenance of your appliance, and assumes no responsibility of any consequential damage(s).**

### Installation Options

- Freestanding
- Freestanding in an Alcove
- Freestanding in a Mobile Home
- Freestanding Hearth Stove

### Features

- EPA Phase II Approved
- 2.3 Cubic Foot Firebox Volume
- Single Air Control
- Accepts Logs Up to 21" Long
- Cast Iron Construction
- Heavy Duty Refractory Firebrick
- Optional High-Tech Blower

### Heating Specifications

Approximate Maximum Heating Capacity (in square feet)*	Up to 2,000
Maximum BTU's per Hour (Cord Wood Calculation)	73,100
Overall Efficiency (Oregon Method)	70 %
Maximum Burn Time	Up to 12 Hours

\* Heating capacity will vary depending on the home's floor plan, degree of insulation, and the outside temperature. It is also affected by the quality and moisture level of the fuel.

### Dimensions

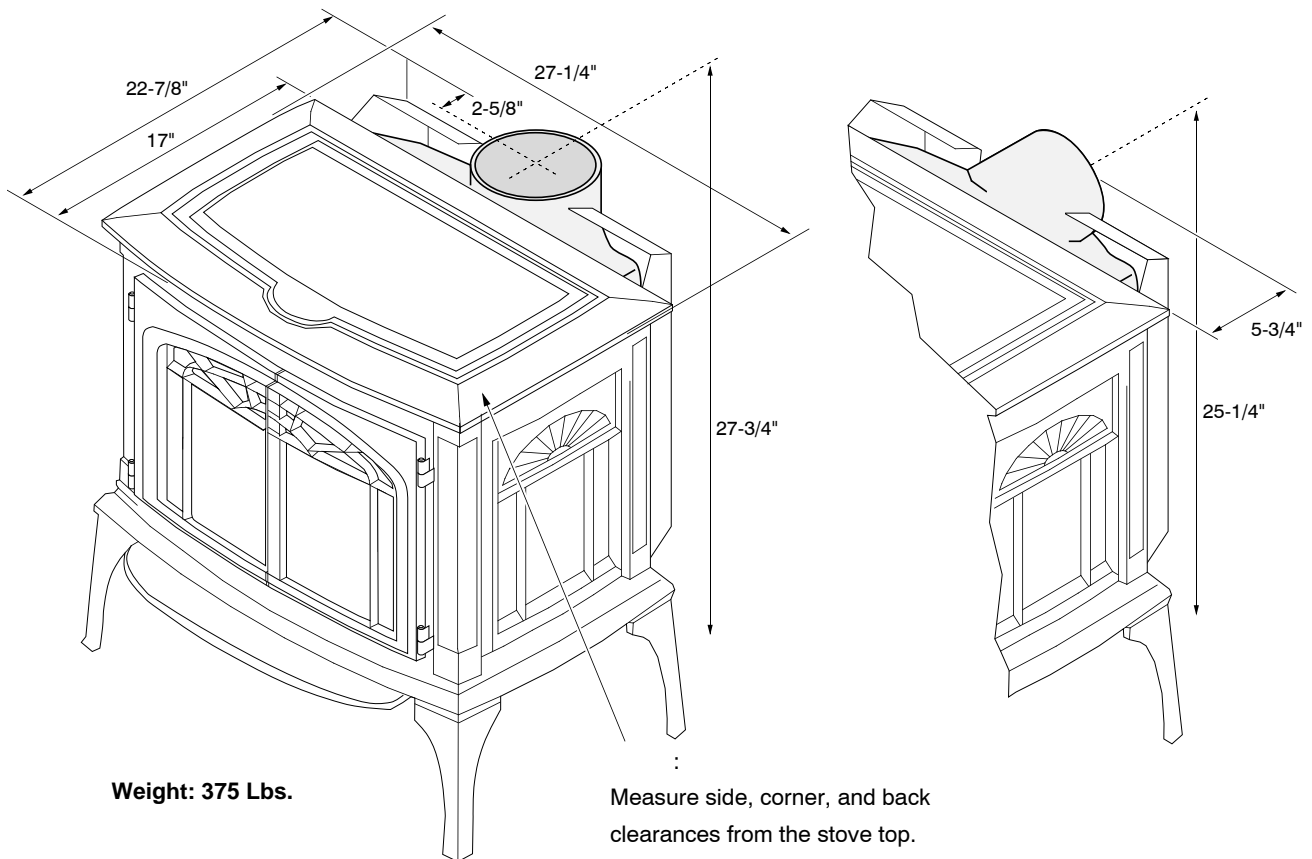


Figure 1

### Emissions

2.4 Grams Per Hour (EPA Phase II Approved) – Tests conducted by OMNI-Test Laboratories.

## SAFETY NOTICE:

Please read this entire manual before you install and use your new room heater. Failure to follow instructions may result in property damage, bodily injury, or even death. Contact local building or fire officials about restrictions and installation inspection requirements in your area.



Always use gloves when operating a hot stove. The door handles, loading lid, bypass handle, and other components become very hot during normal use.

## Planning The Installation



We suggest that you have an authorized Travis Industries dealer install your stove. If you install the stove yourself, your authorized dealer should review your installation plans.



Check with local building officials for any permits required for installation of this stove and notify your insurance company before proceeding with installation.

## Preparation for Installation

- Check for damage to the exterior of the stove.
- Check the interior of the firebox to verify all components are in place.



The stove can be lightened for transportation by removing the doors, loading lid, and firebricks. Replace these components before operation.

- Install the bypass handle (included in the owner's pack - see page 10).

## Stove Installation Considerations

The table below details the six most common types of installations and the considerations for each type. Alternative methods of installation are available if they comply with local building codes.

<u>Installation Type</u>	<u>Considerations</u>
Standard Ceiling with a Factory Built Chimney (Page 16)	<ul style="list-style-type: none"> <li>• Requires ceiling and roof penetration</li> <li>• Provides best draft</li> </ul>
Cathedral Ceiling with a Factory Built Chimney (Page 16)	<ul style="list-style-type: none"> <li>• Cathedral style chimney support required</li> <li>• Provides best draft</li> </ul>
Hearth Stove Positive Connection (Page 17)	<ul style="list-style-type: none"> <li>• Utilizes existing masonry fireplace (not approved for zero clearance (metal) fireplaces)</li> <li>• Provides good draft due to full reline</li> <li>• Easier to clean than direct or horizontal hearth stove</li> </ul>
Hearth Stove Direct Connection (Page 17)	<ul style="list-style-type: none"> <li>• Utilizes existing masonry fireplace (not approved for zero clearance (metal) fireplaces)</li> <li>• Requires construction of a "block-off plate"</li> <li>• Draft reduced due to elbows &amp; chimney cross section</li> </ul>
Interior Masonry Chimney (Page 18)	<ul style="list-style-type: none"> <li>• Utilizes existing masonry chimney (not approved for zero clearance (metal) fireplaces)</li> </ul>

## Floor Protection Requirements

- Floor protection must extend 6" to the sides and rear of the stove and 16" to the front of the stove 39.25" wide by 44.875" deep - see Figure 2 and Figure 3).
- Floor protection must be non-combustible and at least .018" thick (26 gauge).

## Stove Placement Requirements



Clearances may be reduced by methods specified in NFPA 211, listed wall shields, pipe shields, or other means approved by local building or fire officials.

- Stove must be placed so that no combustibles are within, or can swing within (e.g. drapes, doors), 36" of the front of the stove
- Must maintain the clearances to combustibles listed below (drywall, furniture, etc.):

## Clearances

- The following clearances must be met (see Figure 2 and Figure 3)

Minimum Clearance		Singlewall Connector	Singlewall Connector with Pipe Shield**	Reduced Clearance*
A	Sidewall to stove	18.00"	18.00"	18.00"
B	Backwall to stove	27.25"	17.25"	20.75"
C	Cornerwall to stove	19.00"	14.00"	14.00"
D	Connector to sidewall	28.75"	28.75"	28.25"
E	Connector to backwall	21.00"	11.00"	14.00"
F	Connector to cornerwall	23.00"	18.00"	17.50"

\*Reduced clearance installations require one of the chimneys and connectors listed below:

AMERI-TEC model DCC connector with AMERI-TEC UL 103 HT chimney  
 DURAVENT model DVL connector with DURAVENT UL 103 HT chimney  
 GSW Super Chimney Twenty-One connected directly to appliance  
 I.C.C. Excel HP connector with I.C.C. UL 103 HT chimney  
 METALFAB model DW connector with METALFAB UL 103 HT chimney  
 OLIVER MACLEOD PROVENT model PV connector with OLIVER MACLEOD UL 103 HT chimney  
 SECURITY model DP connector with SECURITY UL 103 HT chimney  
 SELKIRK model DSP connector with SELKIRK UL 103 HT chimney  
 Standard Masonry Chimney with any one of the above listed connectors

**NOTE:** Reduced clearance connectors may not connect to the flue collar – an appliance adapter may be required.

**NOTE:** Mobile Home installations must use the reduced clearance connector and clearances listed above.

**NOTE:** Standard residential installations with reduced clearance connector may use the "Connector to Wall" clearance determined by the connector manufacturer if approved by local code. This clearance is established by the connector manufacturer and falls under the connector manufacturer's listing. "Stove to Wall" clearances must always be met.

\*\* The pipe shield must meet NFPA 211 guidelines (such as the HomeSaver® Stovepipe shield) and must extend from the flue collar to a location 16" below the ceiling.

## Top View - Straight Installation

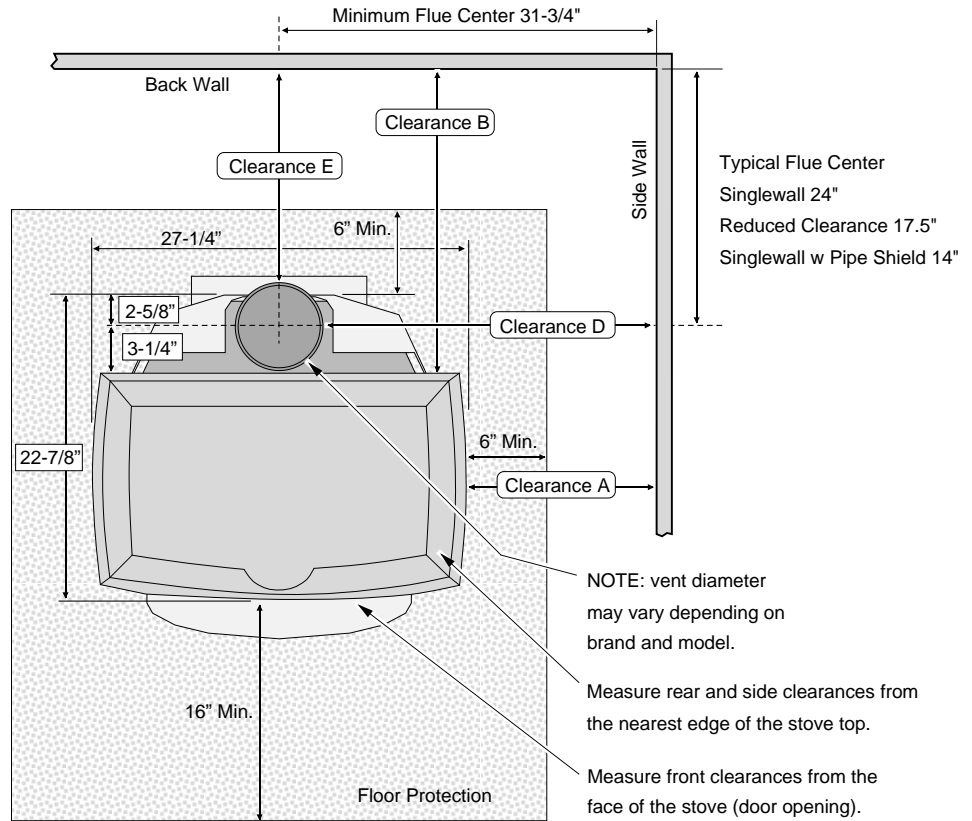


Figure 2

## Top View - Corner Installation

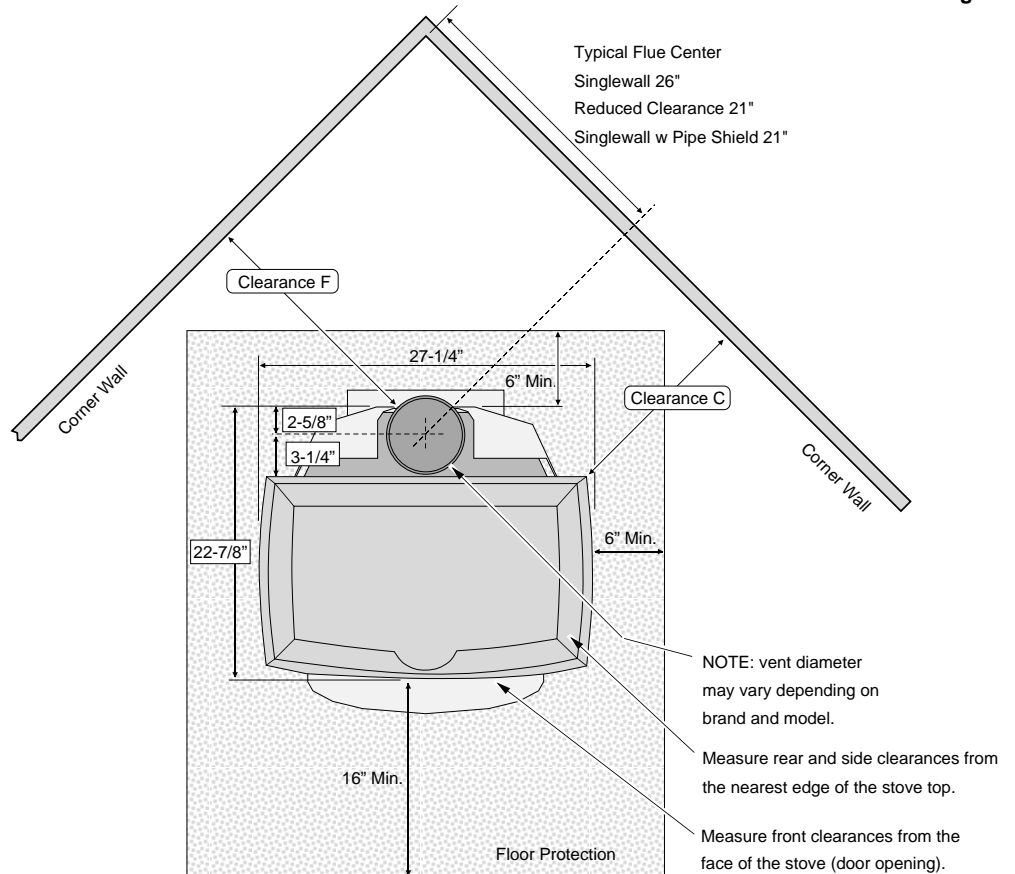


Figure 3

### Bypass Handle Installation

The bypass handle is shipped inside the owner's pack (along with a 1/8" hex wrench). With the set screws loosened, line up the bypass handle with the bypass rod (Figure 4). Press back on the bypass lever and slide the handle into place. **NOTE: Several washers may be included on the bypass rod to act as spacers – do not remove these washers.** Once in place, secure the handle by tightening the two set screws. Make sure the set screws are properly located over the holes in the bypass rod. When tightened, the set screws will submerge below the surface of the handle (Figure 4).



Figure 4

### Rear Vent Configuration



The rear vent configuration is only for masonry fireplace installations (hearth stove). All steel chimney applications require the top vent configuration.

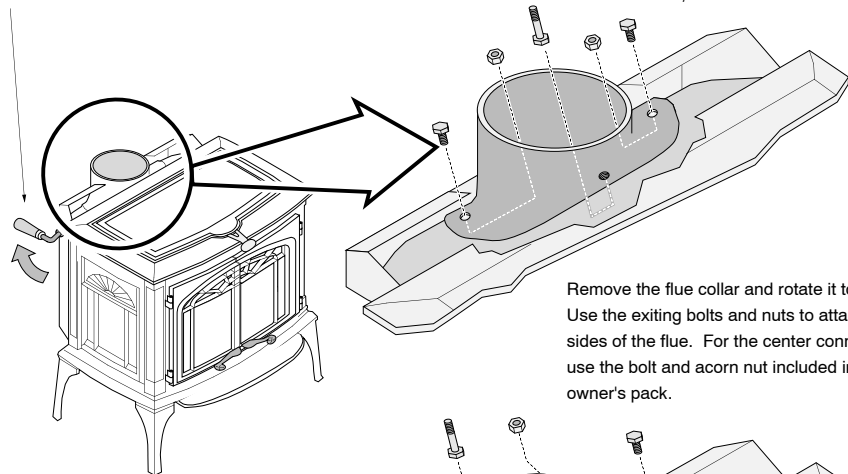
The vent (chimney connector) may be directed to the rear of the appliance when installed into a masonry fireplace. See Figure 5 for details.

Open the bypass - this allows for access to the nut under the flue collar.

The flue collar is held in place with three bolts and two nuts. Use two 7/16" open-end wrenches to remove the bolts and nuts.



7/16" Wrench



Remove the flue collar and rotate it to the rear. Use the exiting bolts and nuts to attach the sides of the flue. For the center connection use the bolt and acorn nut included in the owner's pack.

**NOTE:** Make sure the gasket underneath the flue collar is properly located and seals the flue collar when it is installed.

Figure 5

## Chimney Connector Requirements

- Chimney connector is required from the flue collar of the stove to the factory-built chimney (see Figure 7) or masonry chimney (see Figures 13, 14, and 15).
- The chimney connector must be 6" diameter and a minimum 24 gauge black steel, 26 gauge blued steel, or one of the reduced-clearance connectors listed on page 8.

NOTE: Aluminum or galvanized steel is not allowed – these materials can not withstand the flue temperatures and may give off toxic fumes when heated.

NOTE: Standard residential installations may use single-wall connector (Mobile-Homes may **not**).

- The chimney connector may not pass through a ceiling, attic, roof, closet, or any other concealed space (use listed UL 103 HT chimney – see "Chimney Requirements for details). **DO NOT USE CONNECTOR PIPE AS CHIMNEY.**
- The chimney connector should be as short and direct as possible. No more than 180° of elbows (two 90° elbows, or two 45° & one 90° elbow, etc.) may be used for the entire system (connector and chimney).. Horizontal runs should slope upwards 1/4" per foot and be a maximum 36" long.
- The chimney connector must be installed with the crimped end pointing downwards (see Figure 7). This prevents creosote from leaking to the exterior of the pipe.
- The chimney connector must be fastened to the stove and each adjoining section (and chimney).
- In cases where the chimney connector must be passed through a combustible wall or partition, the following NFPA 211 method may be used if local building codes permit. Check with local authorities before installation to insure all necessary requirements have been met. Figure 6 details a wall pass-through based on the NFPA 211 standard.

**NFPA 211 Wall Pass-Through**  
(see NFPA 211 for a full description)

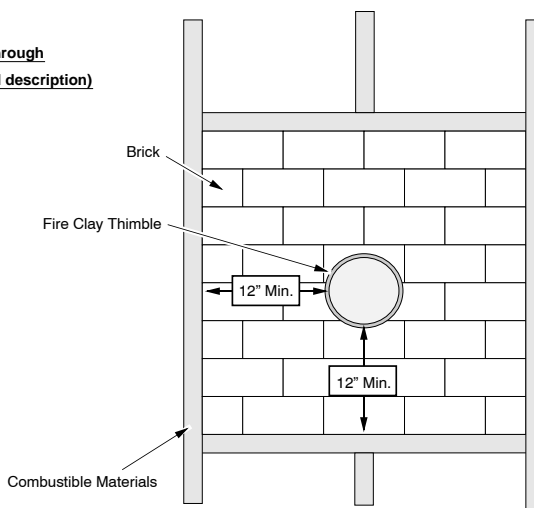


Figure 6

## Chimney Requirements

- DO NOT CONNECT THIS UNIT TO A CHIMNEY FLUE SERVING ANOTHER APPLIANCE.
- UL 103 HT Chimney must be used from the first ceiling or floor penetration to the chimney cap.
- Use 6" diameter type UL 103 HT chimney from one manufacturer (do not mix brands) or code approved masonry chimney with a flue liner.
- Chimney must be fastened to each adjoining section.
- Follow the chimney manufacturer's clearances and requirements.
- Use the chimney manufacturer's fire stops, attic guards, roof supports, and flashings when passing through a ceiling
- No more than 180° of elbows (two 90° elbows, or two 45° & one 90° elbow, etc.) may be used for the entire system (connector and chimney).

NOTE: Additional elbows may be allowed if draft is sufficient. Whenever elbows are used the draft is adversely affected. Additional chimney height may be required to boost draft.

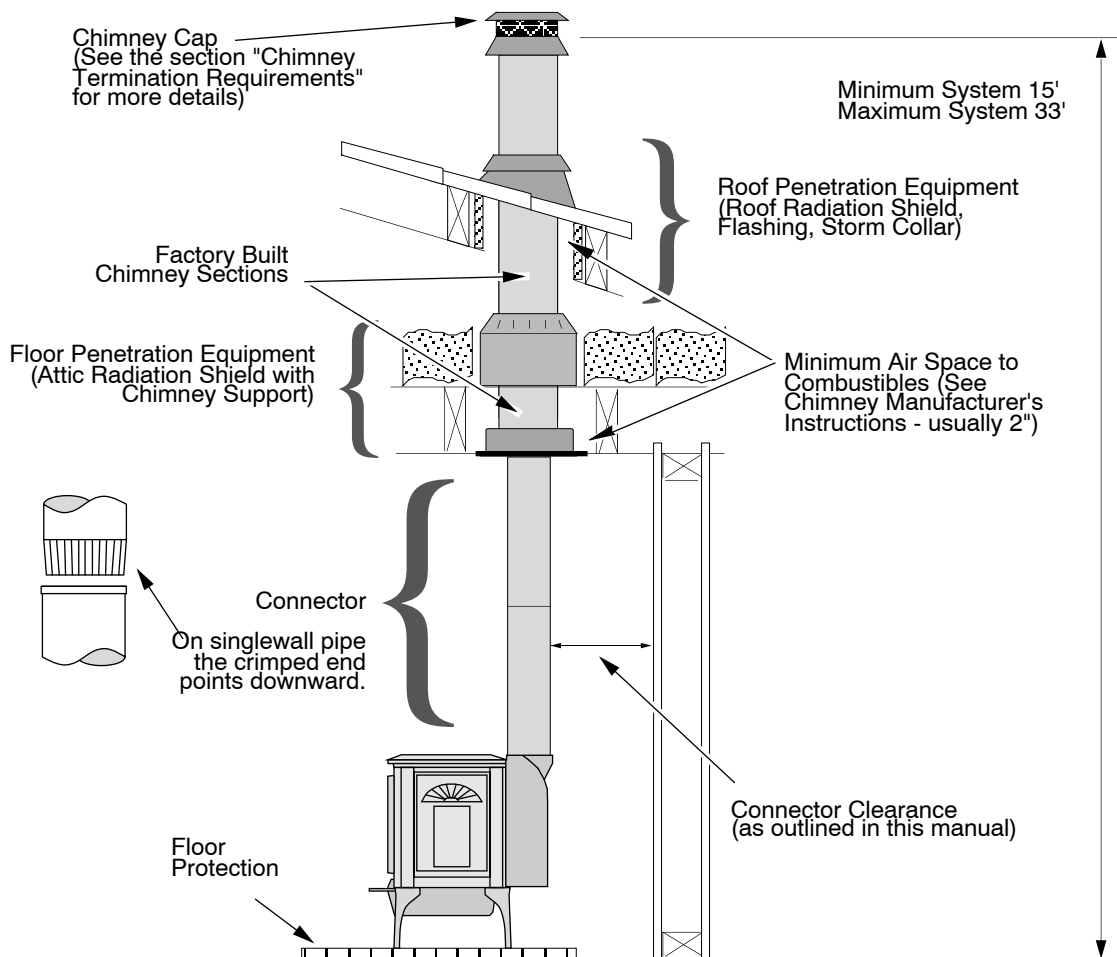


Figure 7

### Drafting Performance

This appliance relies upon natural draft to operate. External forces, such as wind, barometric pressure, topography, or factors of the home (negative pressure from exhaust fans, chimneys, air infiltration, etc.), may adversely affect draft. Travis Industries can not be responsible for external forces leading to less than optimal performance.

### Chimney Termination Requirements

- Must have an approved cap (to prevent water from entering)
- Must not be located where it will become plugged by snow or other material
- Must terminate at least 3' above the roof **and** at least 2' above any portion of the roof within 10' (see Figure 8)

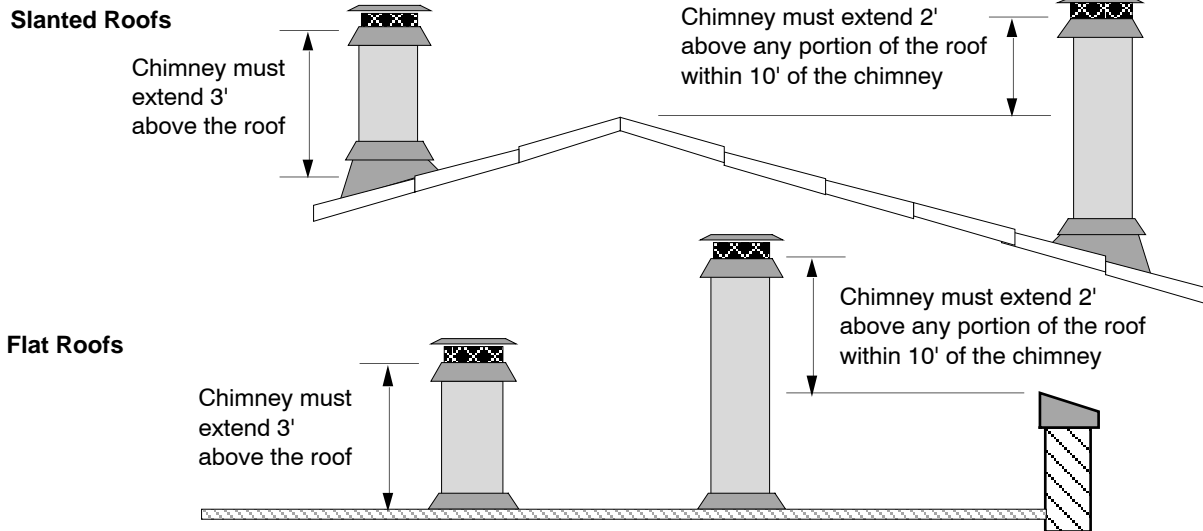


Figure 8

### Outside Air Requirements

- Required for mobile homes and in certain localities (check with building officials)
- Must not be drawn from an enclosed space (garage, unventilated crawl space)
- Requires 3" aluminum duct (do not use plastic "dryer-vent") and a hose-clamp for securing to the stove. Maximum 4' length. NOTE: A 10' length is allowed if using 4" diameter duct (use a 3" to 4" converter).
- If using the optional blower, you may need to "ovalize" the duct to route it under the blower box.

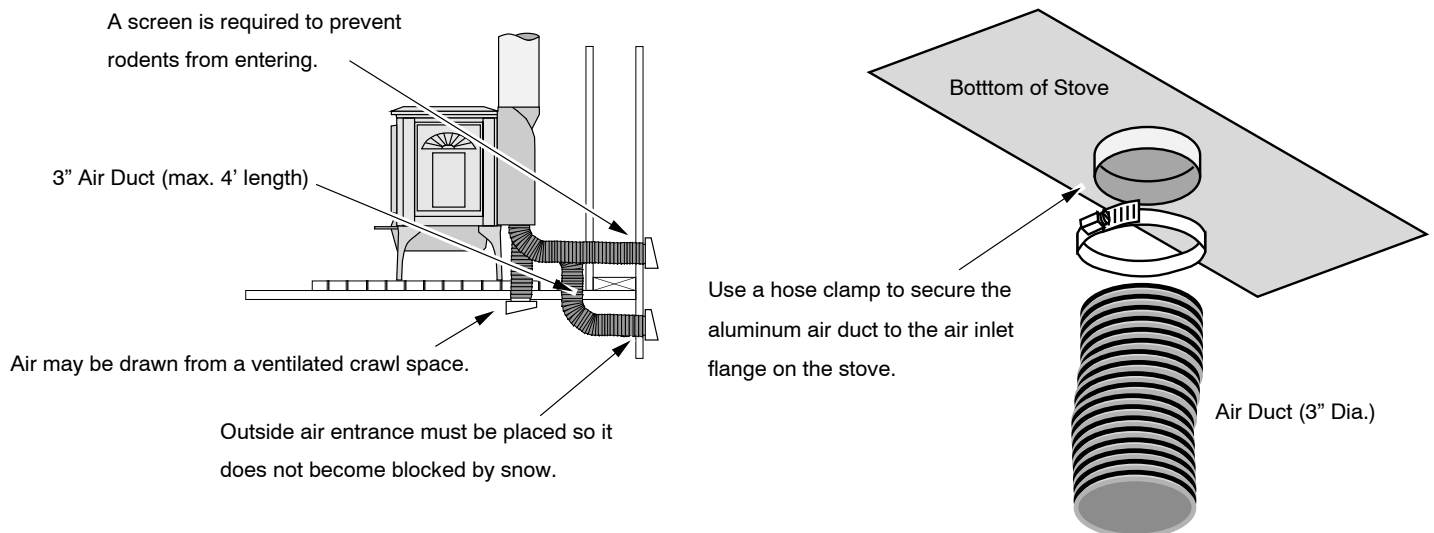


Figure 9

**Alcove Installation Requirements**

Whenever the stove is placed in a location where the ceiling height is less than 8' tall, it is considered an alcove installation. Because of the reduced height, the special installation requirements listed below must be met.

- Chimney connector and chimney must be one of the following types:

AMERI-TEC model DCC connector with AMERI-TEC UL 103 HT chimney  
 DURAVENT model DVL connector with DURAVENT UL 103 HT chimney  
 GSW Super Chimney Twenty-One connected directly to appliance  
 I.C.C. Excel HP connector with I.C.C. UL 103 HT chimney  
 METALFAB model DW connector with METALFAB UL 103 HT chimney  
 OLIVER MACLEOD PROVENT model PV connector with OLIVER MACLEOD UL 103 HT chimney  
 SECURITY model DP connector with SECURITY UL 103 HT chimney  
 SELKIRK model DSP connector with SELKIRK UL 103 HT chimney  
 Standard Masonry Chimney with any one of the above listed connectors

**NOTE:** Reduced clearance connectors may not connect to the flue collar – an appliance adapter may be required.

- The clearances below must be met:

Minimum Clearance (See Figure 10 below)		Combustible Alcove
A	Sidewall to stove	18.00"
B	Backwall to stove	20.75"
D	Connector to sidewall	28.25"
E	Connector to backwall	14.00"
G	Maximum depth of alcove	48.00"
H	Minimum width of alcove	63.25"
J	Minimum height of alcove	84.00"

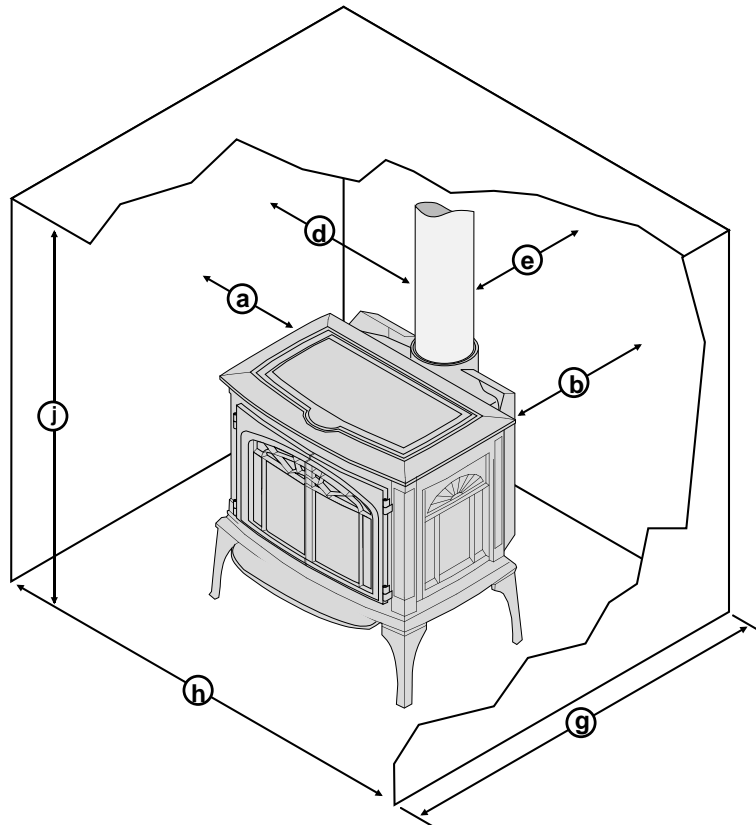
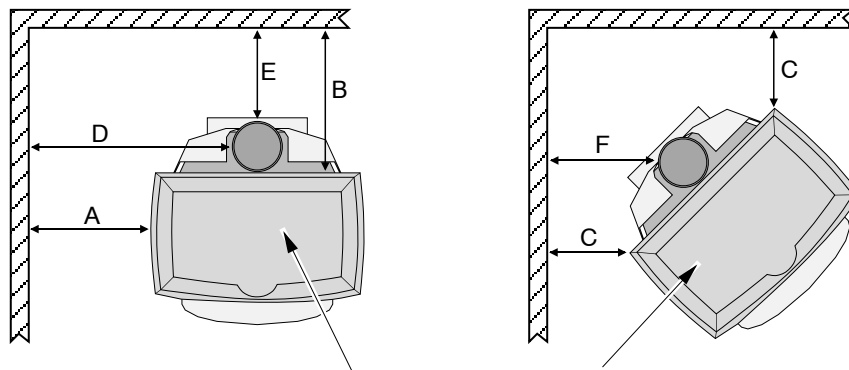


Figure 10

## Mobile Home Requirements

- Outside air must be installed - see "Outside Air Requirements" on page 13
- Chimney connector and chimney must be one of the following types:
  - AMERI-TEC model DCC connector with AMERI-TEC UL 103 HT chimney
  - DURAVENT model DVL connector with DURAVENT UL 103 HT chimney
  - GSW Super Chimney Twenty-One connected directly to appliance
  - I.C.C. Excel HP connector with I.C.C. UL 103 HT chimney
  - METALFAB model DW connector with METALFAB UL 103 HT chimney
  - OLIVER MACLEOD PROVENT model PV connector with OLIVER MACLEOD UL 103 HT chimney
  - SECURITY model DP connector with SECURITY UL 103 HT chimney
  - SELKIRK model DSP connector with SELKIRK UL 103 HT chimney
  - Standard Masonry Chimney with any one of the above listed connectors

**NOTE:** Reduced clearance connectors may not connect to the flue collar – an appliance adapter may be required.
- Stove placement must maintain the following clearances to combustibles (drywall, furniture, etc.)



Measure clearances from the nearest edge of the stove top.

Figure 11

Minimum Clearance (See the illustration above)	Reduced Clearance Connector
A Sidewall to stove	18.00"
B Backwall to stove	20.75"
C Cornerwall to stove	14.00"
D Connector to sidewall	28.25"
E Connector to backwall	14.00"
F Connector to cornerwall	17.50"

- If using offsets, use the connector clearance listed in Figure 12, **not the connector manufacturer's clearance.**
- The appliance must be secured to the floor (consult your building official). Secure the outside air boot to the floor and stove to insure the stove does not dislocate.
- Mobile home installations require a spark arrester at the chimney termination.
- The appliance must be grounded to the chassis of the mobile home (consult your building official).
- **WARNING:DO NOT INSTALL IN SLEEPING ROOM.**
- **CAUTION:THE STRUCTURAL INTEGRITY OF THE MOBILE HOME FLOOR, WALL, AND CEILING/ROOF MUST BE MAINTAINED.**

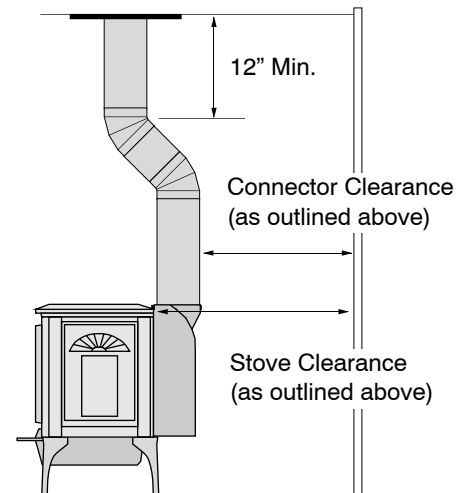


Figure 12

**Standard Ceiling with a Factory Built Chimney**

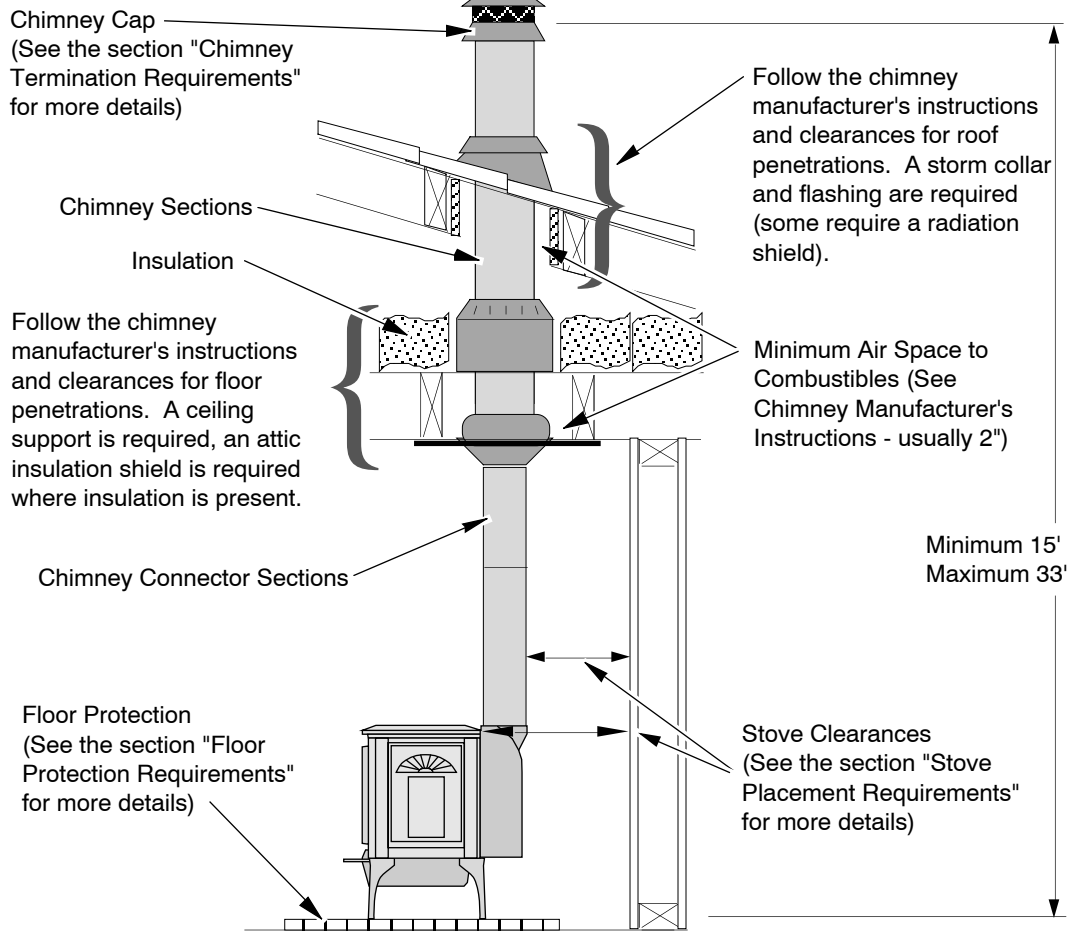


Figure 13

**Cathedral Ceiling with a Factory Built Chimney**

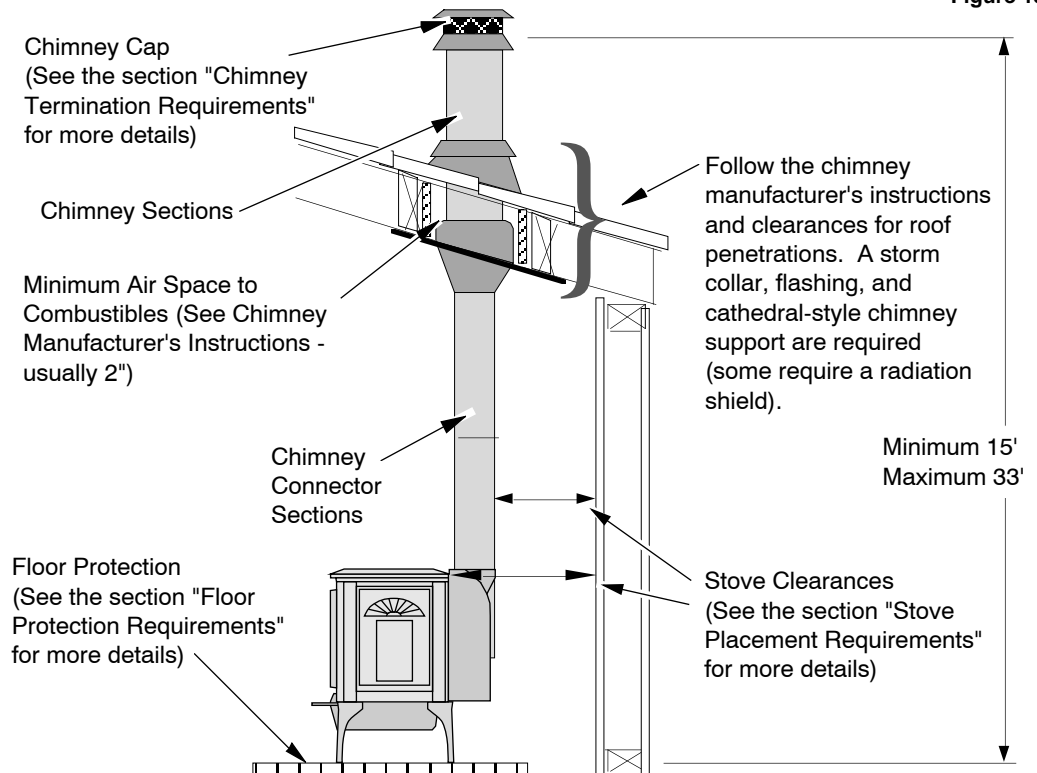


Figure 14

## Hearth Stove Positive Connection

**NOTE:**

Most factory-built chimney manufacturers make stainless steel chimney liners, either flexible or rigid. This provides a wide variety of installation options. Make sure to follow the manufacturer's instructions for installation and support.

NOTE: The entire fireplace and chimney must be clean, undamaged, and meet all local building codes (UBC, etc.). Damage must be repaired prior to installation. The chimney must be 15' to 33' tall.

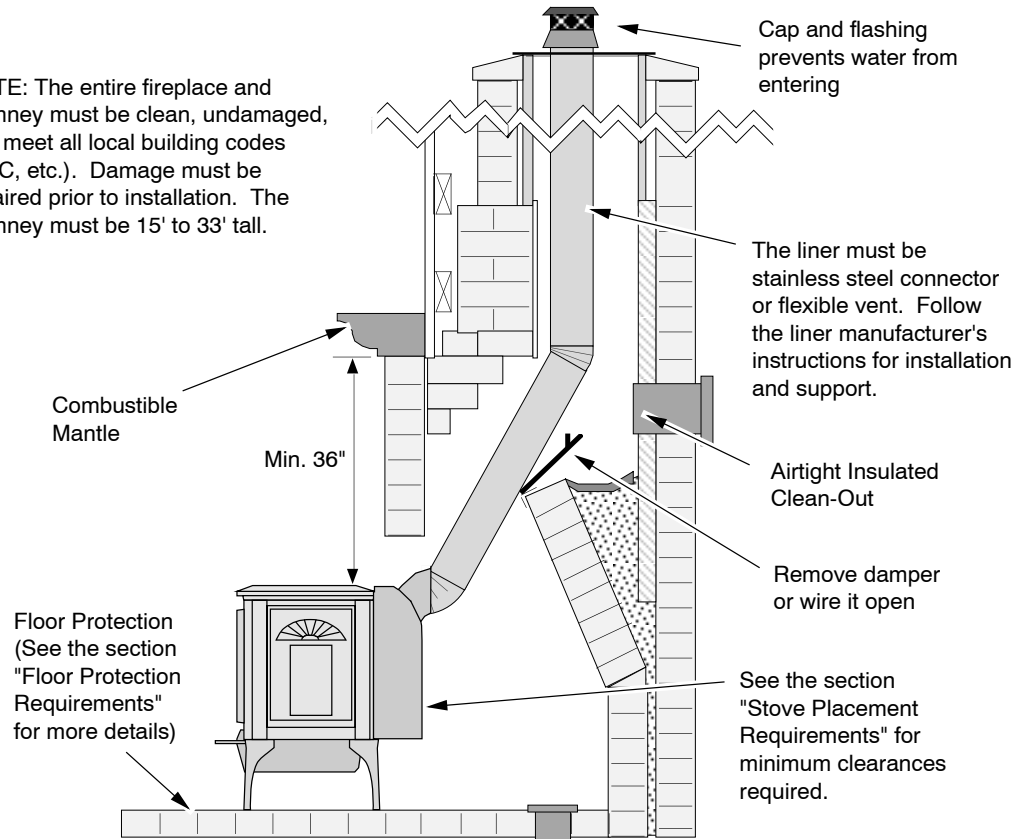


Figure 15

## Hearth Stove Direct Connection

**NOTE:**

Direct connections require installation of an airtight, non-combustible block-off plate or damper adapter.

NOTE: The chimney must have a clay tile liner. If it does not, the installation must use a positive connection (full reline). The entire fireplace and chimney must be clean, undamaged, and meet all local building codes (UBC, etc.). Damage must be repaired prior to installation. The chimney must be 15' to 33' tall.

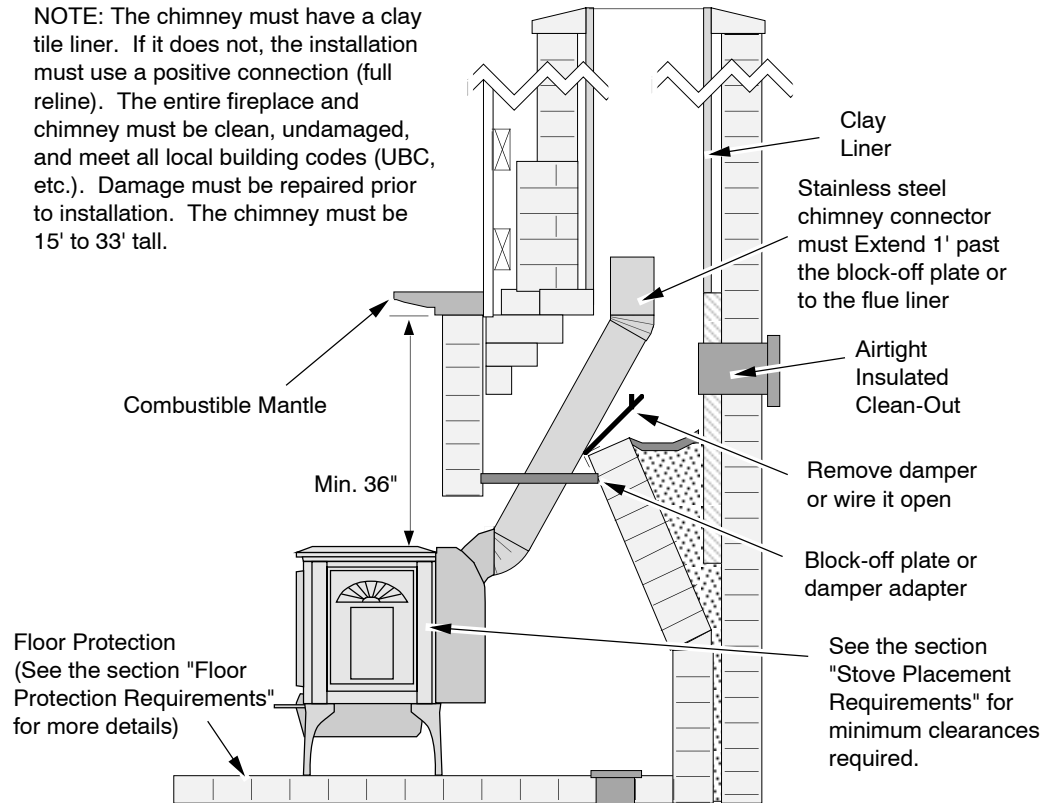


Figure 16

**Interior or Exterior Masonry Chimney**

**NOTE:**

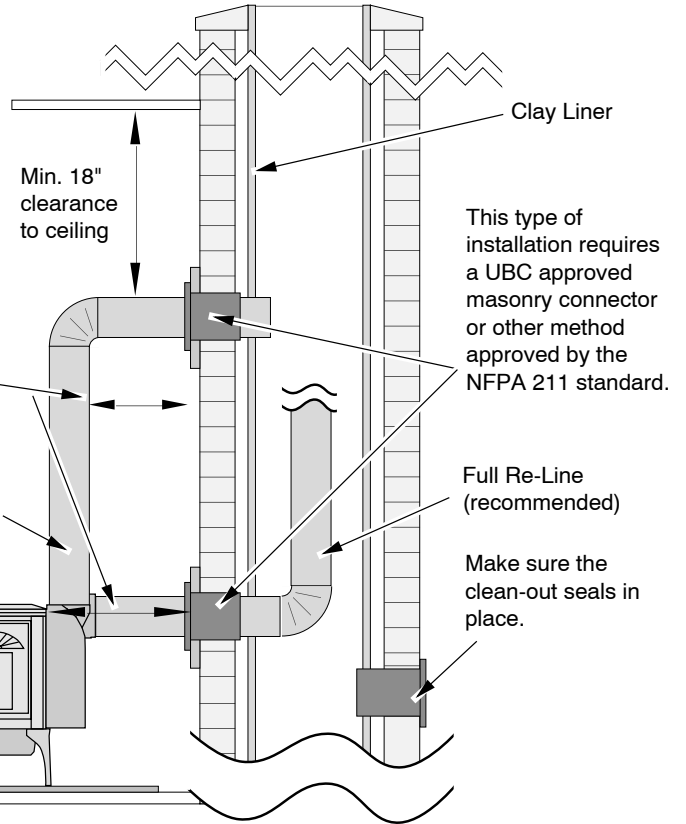
This type of installation requires a UBC approved masonry connector or other method approved by the NFPA 211 standard. See Chimney Connector Requirements on page 11 for further details.

NOTE: The chimney must have a clay tile liner. If it does not, the installation must use a positive connection (full reline). The entire fireplace and chimney must be clean, undamaged, and meet all local building codes (UBC, etc.). Damage must be repaired prior to installation. The chimney must be 15' to 33' tall.

See the section "Stove Placement Requirements" for minimum clearances required.

Chimney connector sections

See the section "Floor Protection Requirements"



This type of installation requires a UBC approved masonry connector or other method approved by the NFPA 211 standard.

Full Re-Line (recommended)

Make sure the clean-out seals in place.

Figure 17

## Safety Notice



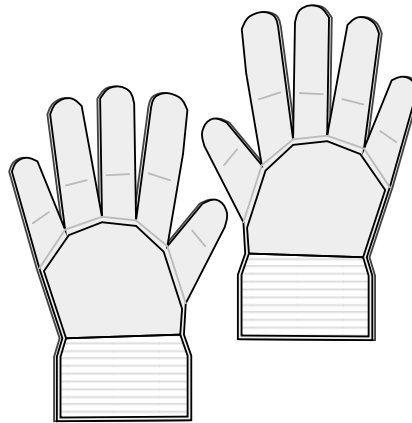
If this appliance is not properly installed, a house fire may result. For your safety, follow the installation directions. Contact local building or fire officials about restrictions and installation inspection requirements in your area.



Read and follow all of the warnings on pages 4 and 5 of this manual.

## Operating the Stove when it is Hot

Always use gloves when operating a hot stove. The door handles, loading lid, bypass handle, and other components become very hot during normal use.



## Before Your First Fire

Verify the Installation

Before starting the stove, verify that the stove is properly installed and all of the requirements in this manual have been followed.



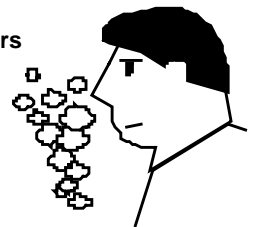
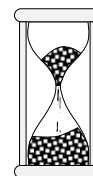
Keep all flammable materials 36" away from the front of the stove (drapes, furniture, clothing, etc.).

## Curing the Paint

This heater uses a heat-activated paint that will emit some fumes while starting the first fire. Open doors and windows to the room to vent these fumes. This typically lasts two to four hours. You may also notice oil burning off of the interior of the heater. This rust-stopping agent will soon dissipate.

**Door Gasket** - The door gasket might adhere to the paint on the front of the heater. Leave the door slightly ajar for the first fire and be careful when opening the door after the first fire.

2 to 4 hours



## Over-Firing the Stove

This stove was designed to operate at a high temperature. But due to differences in vent configuration, fuel, and draft, this appliance can be operated at an excessive temperature. If the stove top or other area starts to glow red, you are over-firing the stove. Shut the air control down to low and allow the stove to cool before proceeding.



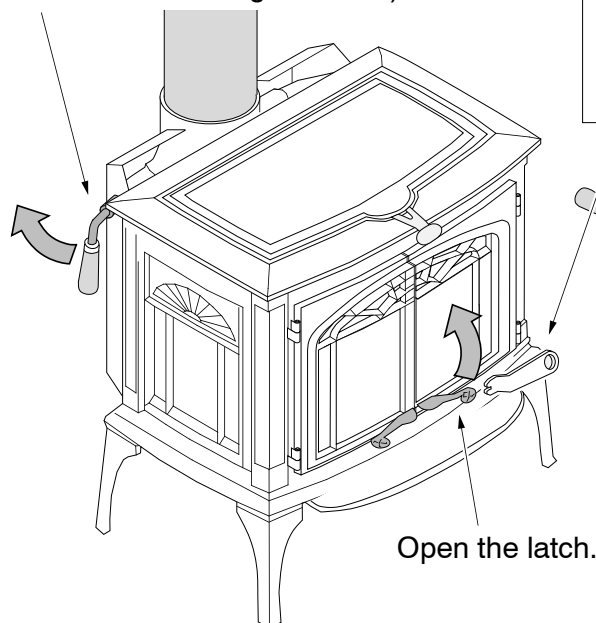
Over-firing may lead to damage of plated surfaces. If you are uncertain of over-firing conditions, we suggest placing a stove thermometer (e.g. Rutland® Model 710) directly over the door on the stove top - temperatures exceeding 800° are generally considered over-firing and will void the warranty.

## Opening the Doors

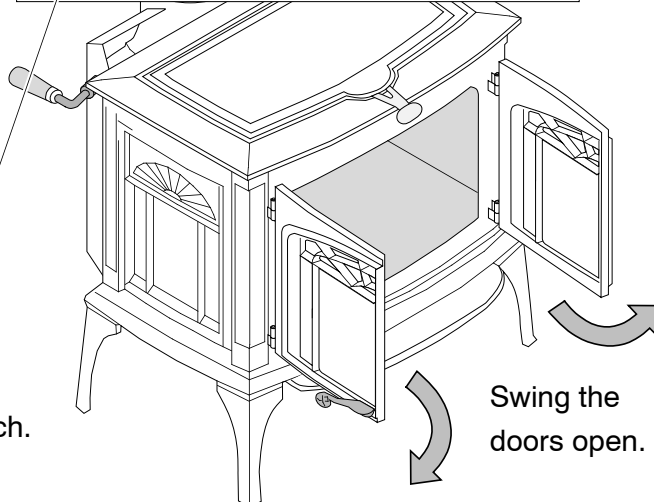


Typically the doors are only opened to start the fire. Use the Loading Lid to re-load the stove.

Open the bypass first (this prevents smoke from entering the room).



A door latch tool is included for operation when the door latch is hot. Hang the tool on the air control when not in use.



**WARNING:** Do not swing the doors past 90°. This may cause the doors to strike the body of the stove and cause damage.

**NOTE:** When closing the doors, close the left door first. Then shut the right door and tighten the latch.



The door becomes hot during use. Use a glove to open the door if the handle is hot.



To prevent smoke from entering the room, open the bypass before opening the door (see following page for directions). You can also open the door a small amount and let air enter the firebox.

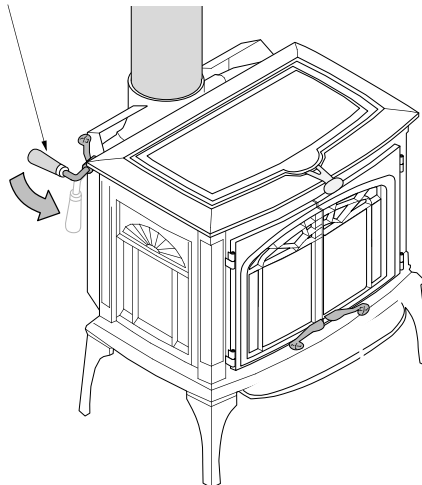
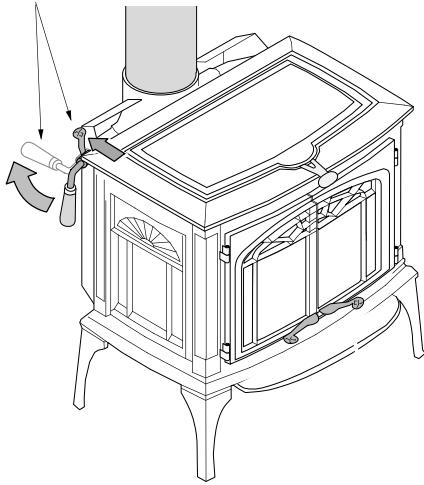
## Bypass Operation

The bypass controls the flow of smoke inside the heater. When pulled out, smoke goes directly up the flue, creating more draft. When pushed in, the smoke goes around the baffle, utilizing the secondary combustion and making the heater more efficient.

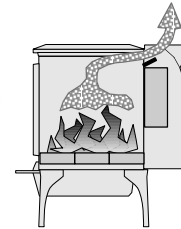
- When starting or re-loading, pull the bypass out.
- During normal operation, push the bypass in.

To open the bypass, push on the lever and rotate the handle up.

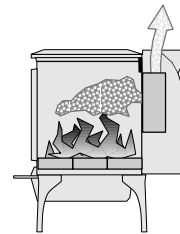
To close the bypass, simply rotate the handle down.



**Bypass OPEN**  
Used for starting and re-loading



**Bypass CLOSED**  
Used for normal operation

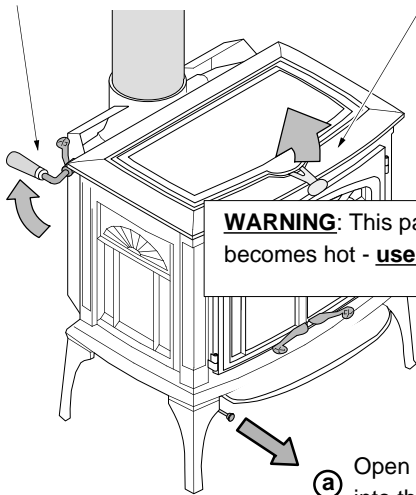


## Loading Lid Operation

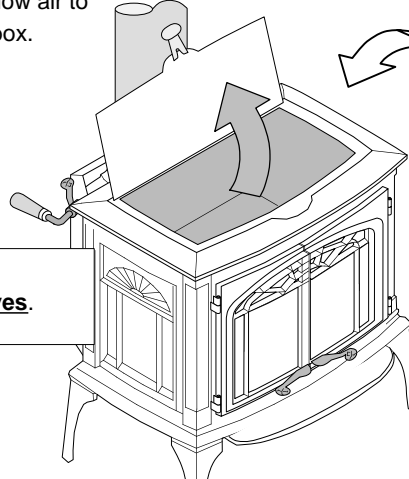
**b** Open the bypass first (this helps prevent smoke from entering the room).

**c** Open the lid 1" for a few seconds to allow air to enter the firebox.

**d** Lift the lid upward.



**WARNING:** This part becomes hot - **use gloves.**



A log poker is provided with this stove. It attaches with a clip to the back of the stove.

**a** Open the air control and allow air to flow into the firebox for 30 seconds.



Do not wear loose clothing while re-loading the stove. Any item dangling above the opening may ignite.

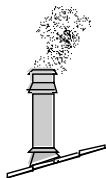
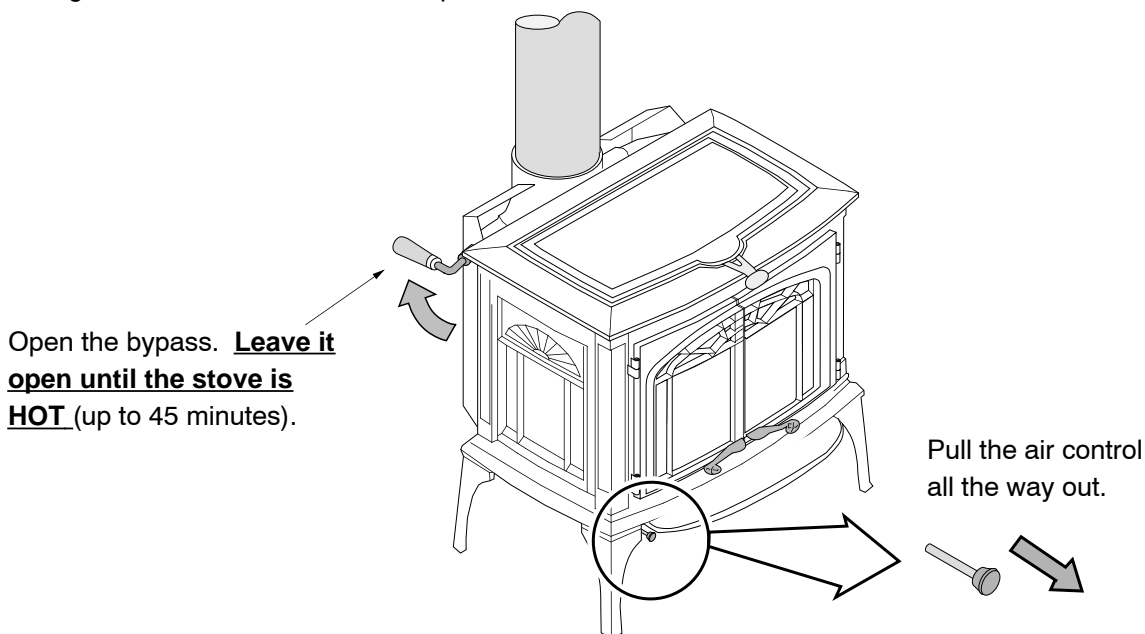


Carefully close the loading lid after use. Allowing it to "slam" shut may damage the stove.

## Starting a Fire

Since the dawn of time man has debated the best way to start a fire. Some use the boy-scout "tee-pee", some prefer the "tic-tac-toe" stack. Either way, review the hints and warnings below to ensure proper fire starting.

- Make sure the air control and by-pass are pulled out. If additional air is needed, open the doors 1/4" during the first five minutes of start-up.



### **ALLOW THE STOVE TO FULLY HEAT PRIOR TO SHUTTING THE BYPASS**

We occasionally get calls regarding a smokey stove during start-up. The primary cause is shutting the bypass prior to the stove becoming hot. If you shut the bypass too early, the combustor will not work (the combustor must be hot for it to work properly). This in turn will slow combustion and will lead to a smokey fire.



**Never** use gasoline, gasoline-type lantern fuel, kerosene, charcoal lighter fluid, or similar liquids to start or "freshen up" a fire in this stove. Keep all such liquids well away from the stove while it is in use.



If using a firestarter, use only products specifically designed for stoves - follow the manufacturer's instructions carefully.



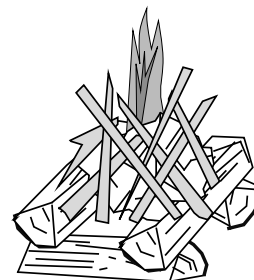
If the smoke does not pass up the chimney, ball up one sheet of newspaper, place it in the center of the firebox and light it. This should start the chimney drafting (this eliminates "cold air blockage").



Use plenty of kindling to ensure the stove reaches a proper temperature. Once the kindling is burning rapidly, place a few larger pieces of wood onto the fire.

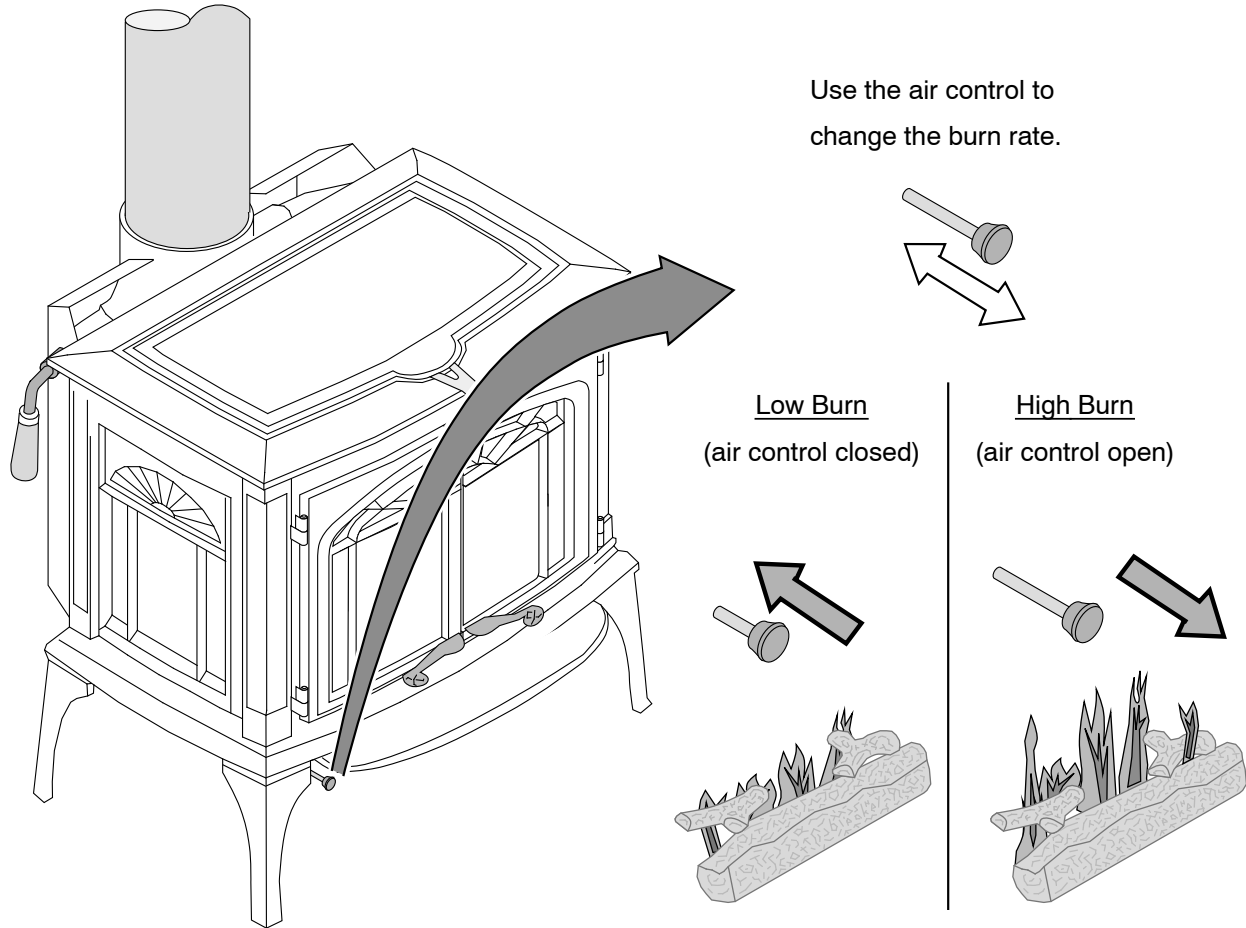
### **Starting a "Top-Down Fire"**

One particularly successful method for starting a fire is to stack several large pieces of wood in the center of the stove (see the illustration to the right). Then place a several wads of newspaper in the center with kindling on top. When you light the newspaper this "top-down" fire will burn its way to the center, igniting the larger pieces. With some practice, this method should work for you.



### Adjusting the Burn Rate

Use the air control slider to control the burn rate of the stove. See the illustration below for details.



#### Approximate Air Control Settings

Overnight Burn	Fully in
Medium Burn	1/32" to 5/32" Open
Medium High Burn	5/32" to Fully Open
High Burn	Fully Open (Pulled Out)



The air control becomes hot during operation - use gloves or a tool to prevent burns.



The air control may take several minutes to influence the burn rate. When making adjustments, you may wish to let the stove burn for 10 minutes to gauge performance.

## Ash Removal



Ashes should be placed in a metal container with a tight fitting lid. The closed container of ashes should be placed on a noncombustible floor or on the ground, away from all combustible materials, pending final disposal. If the ashes are disposed of by burial in soil or otherwise locally dispersed, they should be retained in the closed container until all cinders have thoroughly cooled.

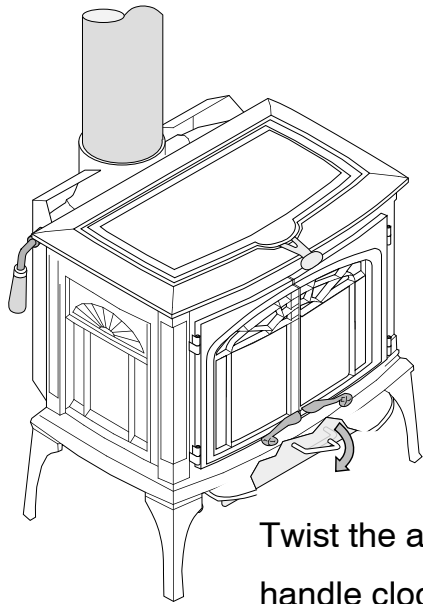
## Ashpan Removal



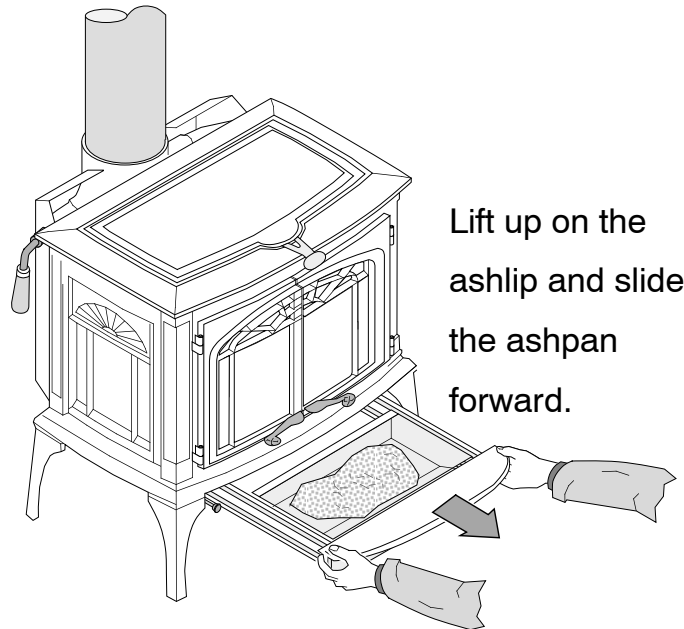
The ashpan must be properly inserted and fully closed during operation. Failure to fully close and seal the ashpan may lead to an over-fired stove, negating the warranty and creating a safety hazard.



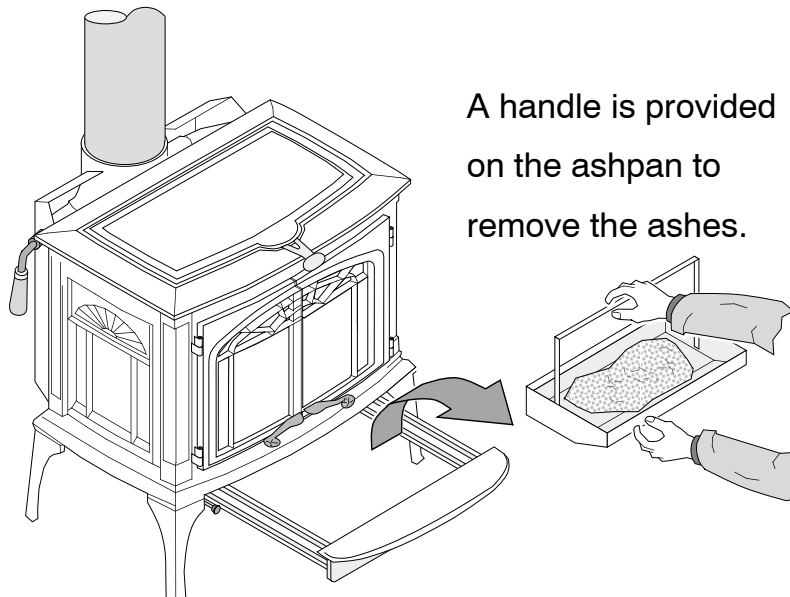
The ashpan may only be removed after the stove has fully cooled.



Twist the ashpan handle clockwise.



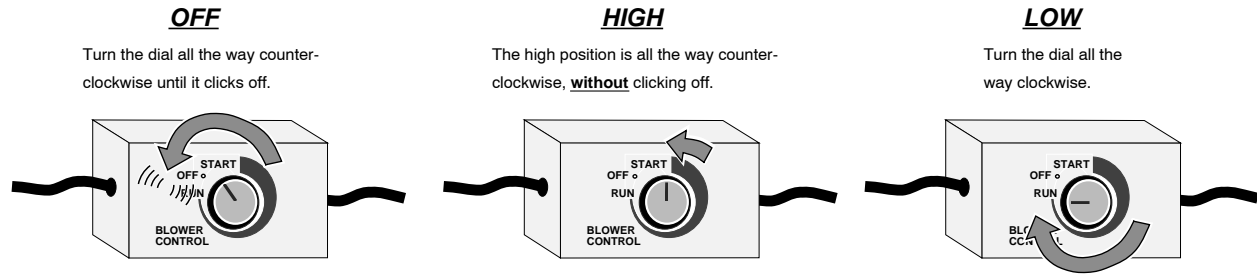
Lift up on the ashlip and slide the ashpan forward.



A handle is provided on the ashpan to remove the ashes.

## Blower Operation

The blower is available to assist the convection chamber in distributing heat to your home. The directions below detail the options you have with the blower and the best method for operation.



Route the power cord in a location where it will not come in contact with the appliance or become hot.

## Re-Loading the Stove

Follow the directions below to minimize smoke spillage while re-loading the stove.

- 1 Open the air control all the way (pull it out). Open the bypass (rotate it down).
- 2 Open the loading lid. Let the airflow inside the firebox stabilize before opening the loading lid fully.
- 3 Load wood onto the fire.

## Overnight Burn

This stove is large enough to accommodate burn times over twelve hours. Follow the steps listed under "Burn Procedure Pictorial Overview" on page 27



Differences in chimney height and draft may lower overall burn times.

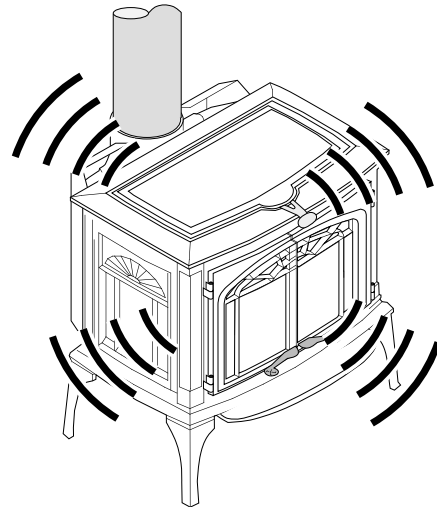
## Normal Operating Sounds

### Creaks and Clicks:

The steel may creak or click when the stove heats up and cools down - this is normal.

### Blower Sounds:

The optional blower will make a slight "hum" as it pushes air through the stove.

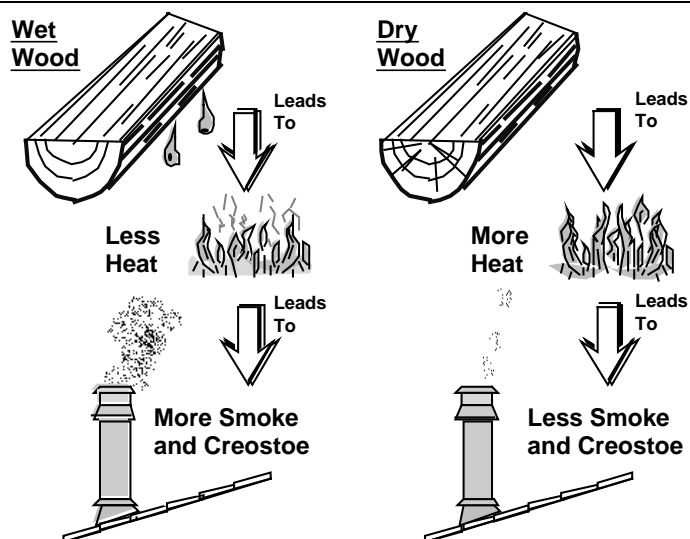


## Hints for Burning

- Get the appliance hot before adjusting to low burn
- Use smaller pieces of wood during start-up and high burns to increase temperature
- Use larger pieces of wood for overnight or sustained burns
- Stack the wood tightly together to establish a longer burn
- Leave a bed of ashes (1/2" deep) to allow for longer burns
- Be considerate of neighbors & the environment: burn dry wood only
- Burn small, intense fires instead of large, slow burning fires when possible
- Learn your appliance's operating characteristics to obtain optimum performance

## Selecting Wood

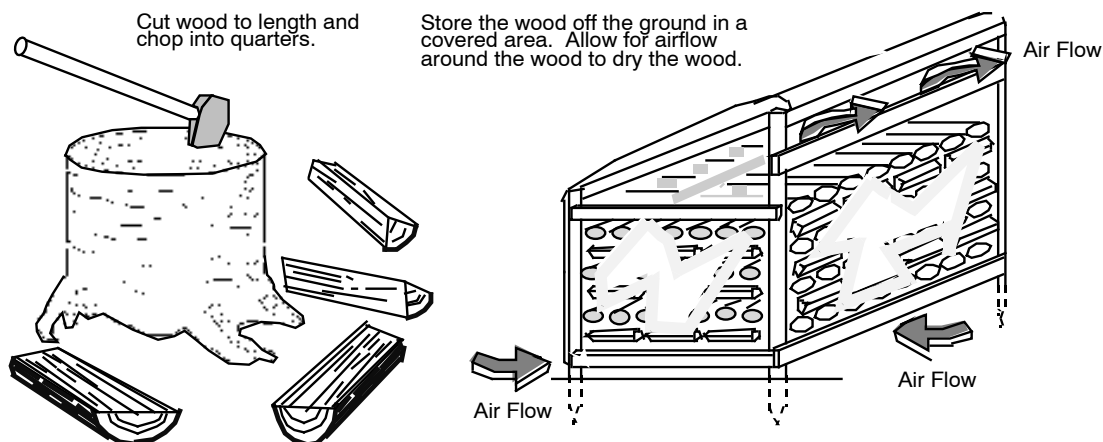
- Dry Wood is Key
- Dry wood burns hot, emits less smoke and creates less creosote.
- Testing Wood Moisture
- Split wood stored in a dry area will be fully dry within a year. This insures dry wood. If purchasing wood for immediate use, test the wood with a moisture meter. Some experienced wood burners can measure wood moisture by knocking pieces together and listening for a clear "knock" and not a "thud".



## Why Dry Wood is Key

Wet wood, when burned, must release water stored within the wood. This cools the fire, creates creosote, and hampers a complete burn. Ask any experienced wood burner and he or she will agree: dry wood is crucial to good performance.

## Wood Cutting and Storage



## Burn Procedure Pictorial Overview

For this wood stove to burn correctly it must be brought up to temperature, This allows the combustor to operate properly and transfer more heat into the home. By following the steps below you should be able to start and maintain a long-lasting, low-burn fire . Use the pictures to help validate your burn process.



Crumple 6 to 8 full pieces of newspaper and place them in the center of the firebox.



Stack 10 to 20 pieces of kindling on top of the newspaper in a criss cross pattern to allow plenty of air flow.



With the bypass and air control open, light the newspaper and partially close the doors (leave the doors open 1/4" for the first 2 to 3 minutes of startup).



Allow the kindling to burn approximately 5 minutes. Flatten the coal bed with the included poker and load 10 to 15 pieces of medium size wood.



The 10 to 15 pieces of medium size wood will fill the stove approximately 3/4 full. The reason for using medium size pieces of wood is to acquire a coal bed as soon as possible.



Let the stove burn with the bypass and air control open for about 45 minutes to establish a good coal bed (3" to 4").

***Burn Procedure Pictorial Overview (continued)***

Now that the unit is hot and has a good coal bed, fill the unit with wood, wait a few minutes then close the bypass and adjust the air control to low.



**4 HOURS** - This picture was taken 4 hours into a low burn.



**8 HOURS** - This picture was taken 8 hours into a low burn.



**13.5 HOURS** - This picture was taken 13.5 hours into a low burn.



After 13.5 hours you can re-start the fire by opening the bypass and air control and placing some kindling in the stove. After the fire starts burning you can load more wood and repeat the burn process. The glass may become dirty on low burn. By burning on high, with a hot stove, the glass will become clean.

## Troubleshooting

Problem	Possible Cause
<b>Smoke Enters Room During Start-Up</b>	<ul style="list-style-type: none"> <li>• Open the bypass (pg. 21).</li> <li>• Open the air control (pg. 23).</li> <li>• Cold Air Blockage - burn a piece of newspaper to establish a draft.</li> <li>• If the flame is not getting enough air, a small crack in the door is all that is needed.</li> </ul>
<b>Kindling Does Not Start - Fire Smolders</b>	<ul style="list-style-type: none"> <li>• Open the bypass (pg. 21).</li> <li>• Open the air control (pg. 23).</li> <li>• Not enough starter paper - use additional newspaper if necessary.</li> <li>• If the flame is not getting enough air, a small crack in the door is all that is needed.</li> </ul>
<b>Smoke Enters Room While Re-Loading</b>	<ul style="list-style-type: none"> <li>• Open the bypass before opening the door (pg. 21).</li> <li>• Open the air control before opening the door (pg. 23).</li> <li>• Open the loading lid 1 inch and let air enter the firebox for a few seconds. Once the smoke appears to be flowing up the chimney consistently, open the loading lid completely.</li> <li>• Insufficient Draft - Chimney height and outside conditions can negatively affect draft. In these cases a small amount of smoke may enter the home. Adding more pipe or a draft-inducing cap may help.</li> </ul>
<b>Stove Does Not Burn Hot Enough</b>	<ul style="list-style-type: none"> <li>• Wood is Wet - see the section "Selecting Wood" on page 26 for details on wood.</li> <li>• Make sure the air control is all the way open. Slide the control back and forth to insure the control is not stuck.</li> <li>• Insufficient Draft - Chimney height and outside conditions can negatively affect draft. In these cases the fire may burn slowly. Adding more pipe or a draft-inducing cap may help.</li> </ul>
<b>Blower Does Not Run</b>	<ul style="list-style-type: none"> <li>• Stove is Not Up to Temperature - This is normal. The blower will come on when the stove is hot - usually 15 to 30 minutes.</li> <li>• Electricity is Cut to the Blower - Check the household breaker or fuse to make sure it is operable.</li> </ul>
<b>Stove Does Not Burn Long Enough</b>	<ul style="list-style-type: none"> <li>• Depending upon wood, draft, and other factors, the burn time may be shorter than stated. Make sure the doors are sealing and not allowing air into the firebox - See the section "Door and Glass Inspection" on page 31 for details.</li> <li>• Check the ash bed for coals. Often, coals are still glowing under a slight bed of flyash. By raking these into a pile you can re-start your stove quickly.</li> </ul>



Failure to properly maintain and inspect your appliance may reduce the performance and life of the appliance, void your warranty, and create a fire hazard.

### Daily Maintenance (while stove is in use)

#### Remove Ash (if necessary)

Remove ash as it builds up in the ashpan. Do not let it build up above the grate in the firebox. This prevents ash from falling on the tray below the ashpan when the ashpan is removed.

- 1 Let the stove cool completely (at least two hours after the last coal has extinguished).
- 2 Direct all of the ash through the grate into the ashpan. Remove the ashpan (see page 24). Place the ash into a metal container with a tight fitting lid. The closed container of ashes should be placed on a noncombustible floor or on the ground, away from all combustible materials, pending final disposal.



Improperly disposed ashes lead to fires. Hot ashes placed in cardboard boxes, dumped in back yards, or stored in garages, are recipes for disaster.



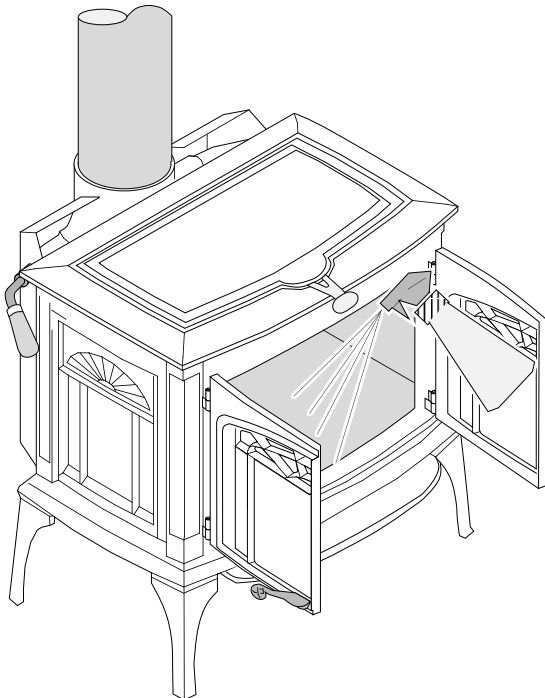
Wood-burning stoves are inherently dirty. During cleaning have a vacuum ready to catch spilled ash (make sure ash is entirely extinguished).



There are vacuum cleaners specifically made to remove ash (AshVac™). These vacuums are better at filtering ash particles and are better protected against hot embers. Contact your dealer for details.

#### Clean the Glass (if necessary)

This appliance has an airwash to keep the glass clean. However, burning un-seasoned wood or burning on lower burn rates leads to dirtier glass (especially on the sides). The glass may become dirty on low burn. By burning on high, with a hot stove, the glass will become clean. If you wish to clean the glass, follow the directions below.

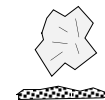


Allow the stove to fully cool. Apply glass cleaner or soapy water to the inside of the glass. Wipe with newspaper or a paper towel.



#### **For Stubborn Creosote:**

Dip newspaper or a paper towel in cool ashes and wipe it on the glass. The ash acts as a light abrasive.



The glass will develop a very slight haze over time. This is normal and will not affect viewing of the fire.

## Monthly Maintenance (while appliance is in use)



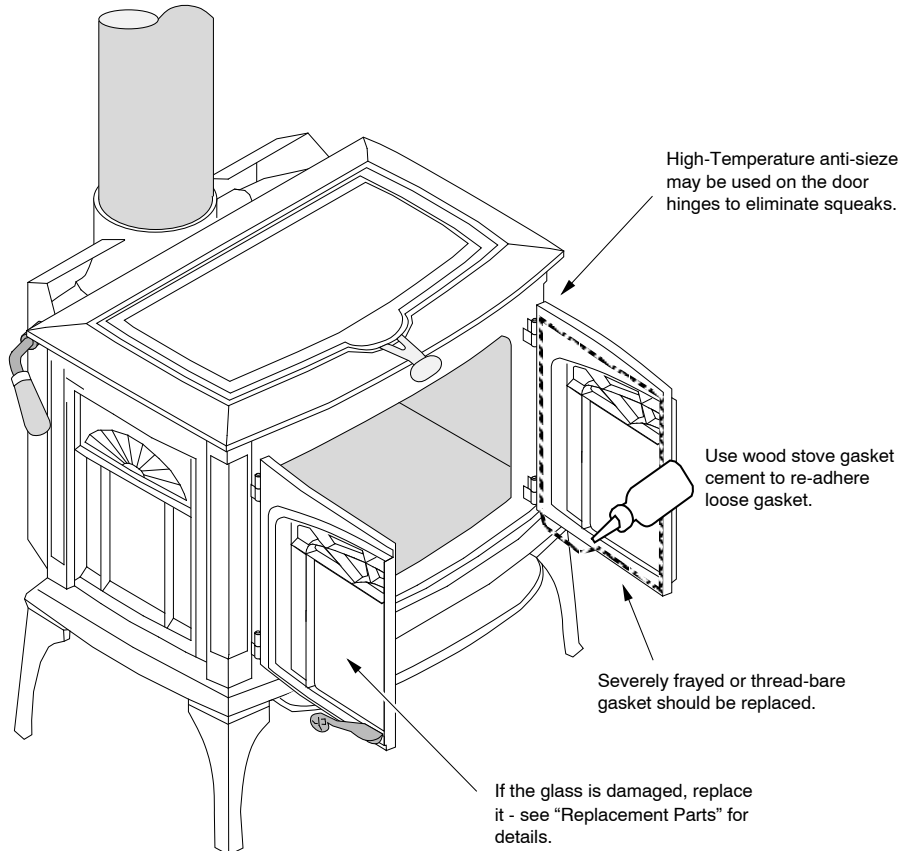
Make sure the appliance has fully cooled prior to conducting service.

### Door and Glass Inspection

The door must form an air-tight seal to the firebox for the stove to work correctly. Inspect the door gasket to make sure it forms an air-tight seal to the firebox.



The door can be lifted off the hinges if extensive repairs are conducted.



The door latch should pull the door against the face of the stove (but not so tight as to not allow full handle rotation). To adjust the door latch, adjust the position of the striker plate that attaches to the front plate of the stove.

### Creosote - Formation and Need for Removal

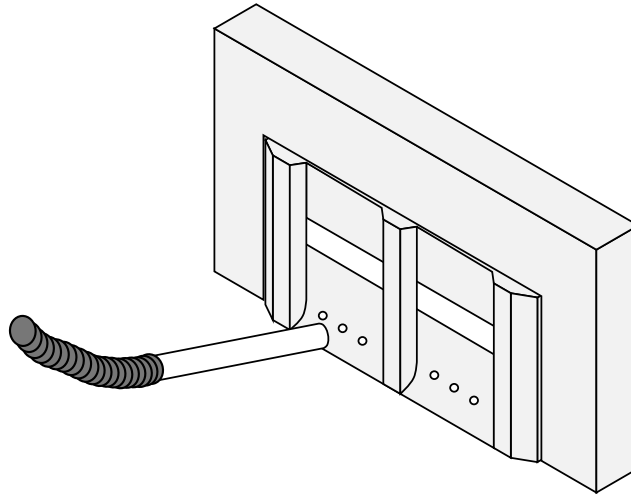
When wood is burned slowly, it produces tar and other organic vapors, which combine with expelled moisture to form creosote. The creosote vapors condense in the relatively cool chimney flue of a slow-burning fire. As a result, creosote residue accumulates on the flue lining. When ignited, this creosote makes an extremely hot fire. The chimney and chimney connector should be inspected at least once every two months during the heating season to determine if a creosote buildup has occurred. If creosote has accumulated, it should be removed to reduce the risk of a chimney fire.



If you are not certain of creosote inspection, contact your dealer or local chimney sweep for a full inspection. Excess creosote buildup may cause a chimney fire, that may result in property damage, injury, or death.

**Monthly Maintenance (while appliance is in use) – Continued****Clean the Combustion Brick**

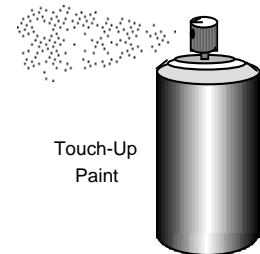
Use a suitable vacuum cleaner (AshVac™ or equivalent) to vacuum the combustion brick (see illustration below). Hold the vacuum up against the holes in the combustion brick to pull ash from within the brick and combustor. This helps remove any built-up flyash inside the combustor and improve efficiency.

**Yearly Maintenance**

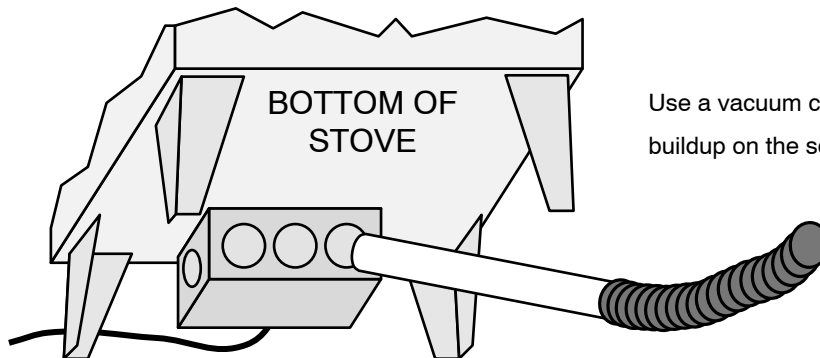
Make sure the appliance has fully cooled prior to conducting service.

**Touch Up Paint**

Included with the owner's pack of this appliance is a can of Stove-Brite® paint. To touch up nicks or dulled paint, apply the paint while the appliance is cool. Sand rusted or damaged areas before preparation (use 120 grit sandpaper). Clean and dry the area to prepare the surface. Wait at least one hour before starting the appliance. The touched up area will appear darker than the surrounding paint until it cures from heat. Curing will give off some fumes while curing – open windows to ventilate.

**Cleaning the Air Duct and Blower (if applicable)**

Use a vacuum to clean the air ducts (channels). This prevents dust from burning and creating odors. The optional blower should be vacuumed every year to remove any buildup of dust, lint, etc.



Use a vacuum cleaner to remove any buildup on the screens of the blower.

## Yearly Maintenance – Continued

### Adjusting the Ashpan Latch

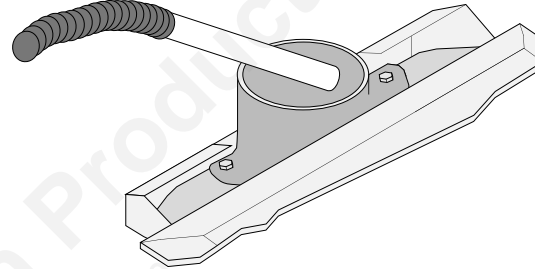
The ashpan latch may be adjusted by opening the ashpan, turning the latch to the closed position, then pushing the ashpan in firmly. Repeat this process until the latch holds the ashpan secure, and air-tight.

### Cleaning the Combustor Area

Ash may build up in the area to the left and right of the combustor. If the ash becomes too deep, it may plug the combustor and lead to insufficient draft and poor efficiency. To clean this area, follow one of the two methods listed below.

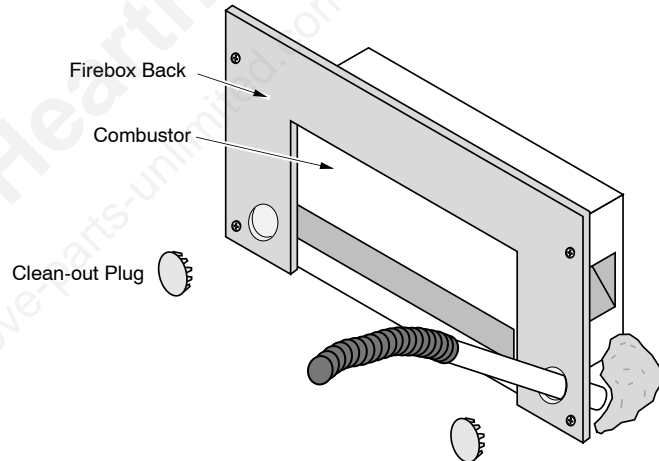
- Method A (for older units or units with easily-removed flues)

Remove the flue from the stove (place a garbage bag under the flue to catch any falling soot or creosote). Use a suitable vacuum (AshVac™ or equivalent) to vacuum the area to the left and right of the combustor (see the illustration on page 35). Ash can pile up in this area so it is important to remove it once per year.

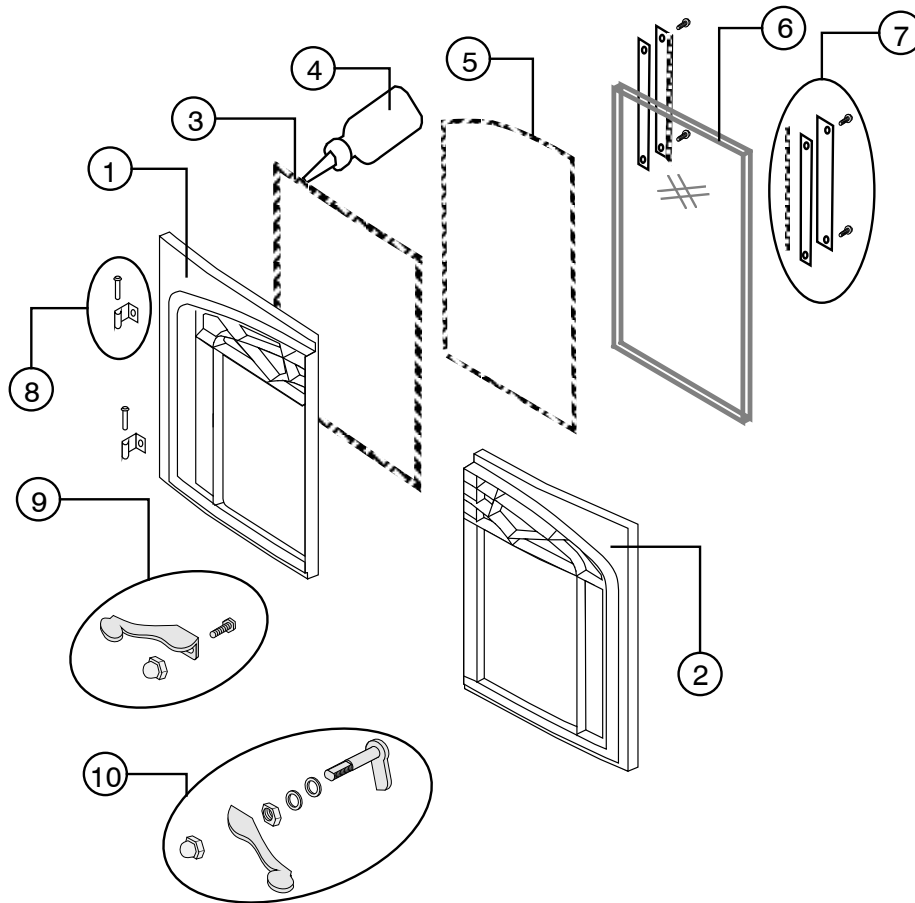


- Method B (for newer units only)

Newer units have clean-out plugs on the firebox back. This allows the area to the left and right of the combustor to be cleaned without removing the flue. To access these clean-out plugs, remove the side, back, and combustion brick (see page 35). Remove the two plugs that insert into the firebox back and use a suitable vacuum (AshVac™ or equivalent) to vacuum the area to the left and right of the combustor. Ash can pile up in this area so it is important to remove it once per year.



## Door Parts



ID #	Description	Qty	Part #	ID #	Description	Qty	Part #
1	Door, Left	1		2	Door, Right	1	
3	Door Gasket	1		4	Gasket Cement	1	
5	Glass Gasket	1		6	Glass	2	
7	Glass Clip w Screws, Gasket	4		8	Door Hinge w Pins	4	
9	Left Door Handle w Hardware	1		10	Right Door Handle w Hardware	1	

### Replacing the Glass



The glass must not contact the door retainer or glass clips directly. The glass gasket and glass clip gaskets insulate the glass to prevent cracking. Do not over-tighten the glass clips.

### Replacing the Door Gasket

The door gasket inserts into the outer groove of the door. Stove gasket cement holds it in place. Before installing, remove any residual cement. Lay the gasket in place (start at the lower left corner) and cut off any excess gasket (do not stretch the gasket. The cement fully cures with heat from the stove. You may need to open and close the door repeatedly to get the gasket to seat fully.


### Replacing the Loading Lid Gasket

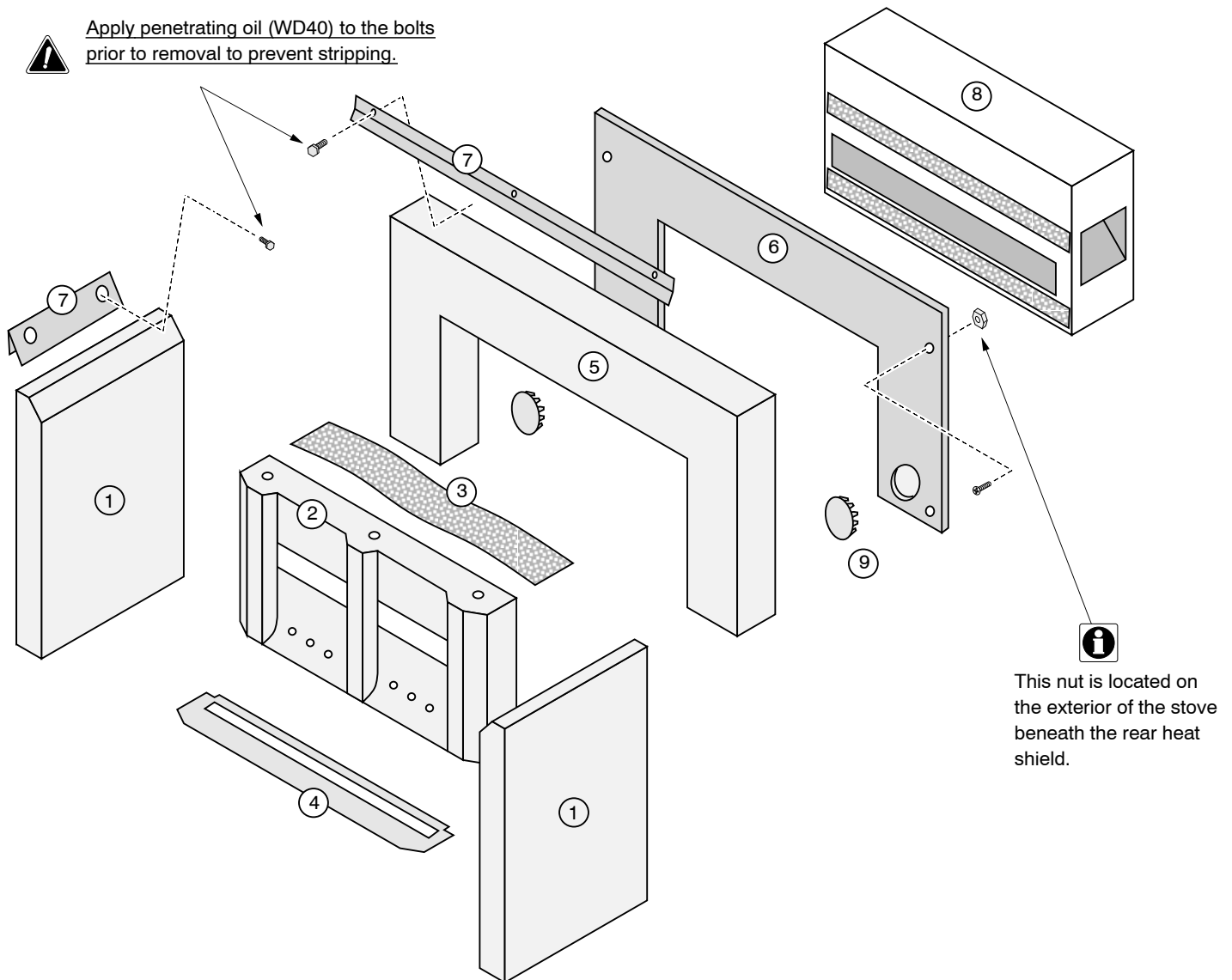
The loading lid gasket inserts into the groove below the loading lid. Stove gasket cement holds it in place. Before installing, remove any residual cement. Lay the gasket in place (start at the back left corner) and cut off any excess gasket (do not stretch the gasket. The cement fully cures with heat from the stove. You may need to open and close the lid repeatedly to get the gasket to seat fully.


### Replacing the Door Handle

See the illustration above for a component list (see pg. 31 for details on adjusting the door).

## Firebox Parts

 Apply penetrating oil (WD40) to the bolts prior to removal to prevent stripping.



 This nut is located on the exterior of the stove beneath the rear heat shield.

ID #	Description	Qty	Part #	ID #	Description	Qty	Part #
1	Side Brick	2	250-00139	2	Combustion Brick w 2 Gas Kets	1	250-00141
3	Inter-Ram Gasket	1	250-00294	4	Combustion Brick Gasket	1	250-00145
5	Back Brick	1	250-00140	6	Firebox Back w 4 Nuts & Bolts	1	250-00704
7	Brick Retainers with Bolts	1	250-00144	8	Combustor Pack with Gaskets	1	250-00247
9	Push Plugs (pack of 4)	2	92-1360			3	

### Brick Removal & Replacement

**Do not pry brick - they chip and crack easily.** Remove the clips holding the side brick in place. Remove the side brick. Remove the clip holding the back brick in place. Lift the back brick up and remove. Remove the gasket on top of the combustion brick. Remove the combustion brick.

### Combustor Removal & Replacement

Remove the bricks first. Remove the four (4) screws holding the firebox back in place. Remove the firebox back. Slide the combustor forward, taking care not to damage this component.

To register your TRAVIS INDUSTRIES, INC. 5 Year Warranty, complete the enclosed warranty card and mail it within ten (10) days of the appliance purchase date to: TRAVIS INDUSTRIES, INC., 4800 Harbour Pointe Blvd. SW, Mukilteo, WA 98275. TRAVIS INDUSTRIES, INC. warrants this appliance (appliance is defined as the equipment manufactured by Travis Industries, Inc.) to be defect-free in material and workmanship to the original purchaser from the date of purchase as follows:

**Check with your dealer in advance for any costs to you when arranging a warranty call. Mileage or service charges are not covered by this warranty. This charge can vary from store to store.**

### Year1 - COVERAGE: PARTS & LABOR

#### Cast Iron Parts

Warranted against breakage, cracking, or burn through.

#### Enamel Finish

Warranted against peeling or fading, excluding chipping, mechanical abrasion, or crazing.

#### Combustion System

Firebrick, combustor - Warranted against breakage or deterioration not resulting from physical damage or over-loading of the wood stove.

#### Air Control Assembly

Slider Plate, Pressure Plate

#### Ceramic Glass

Glass (breakage from thermal shock)

#### Ash Removal System

Ashpan, rollers, grate.

#### Accessories

Blower

#### Damper Bypass Assembly

Bypass plate, rod, handle

#### Door Handles and Latching Mechanism

Door handle, shaft, cam, hardware

#### Re-Installation Allowance

In cases where heater must be removed from home for repairs, a partial cost of re-installation is covered (pre-authorization required)

#### One-Way Freight Allowance

One-way freight allowance on pre-authorized repair done at factory is covered.

#### Cement and Gasketing

**Exclusions:** Paint

### Years 2 & 3 - COVERAGE: PARTS & LABOR

#### Cast Iron Parts

Warranted against breakage, cracking, or burn through.

#### Combustion System

Firebrick, combustor - Warranted against breakage or deterioration not resulting from physical damage or over-loading of the wood stove.

#### Air Control Assembly

Slider Plate, Pressure Plate

#### Ash Removal System

Ashpan, rollers, grate.

#### Damper Bypass Assembly

Bypass plate, rod, handle

#### Door Handles and Latching Mechanism

Door handle, shaft, cam, hardware

#### Re-Installation Allowance

In cases where heater must be removed from home for repairs, a partial cost of re-installation is covered (pre-authorization required)

#### One-Way Freight Allowance

One-way freight allowance on pre-authorized repair done at factory is covered.

**Exclusions:** Paint, Enamel Finish, Cement and Gasketing, Ceramic Glass, Accessories,

### Years 4 & 5 - COVERAGE: PARTS & LABOR

#### Air Control Assembly

Slider Plate, Pressure Plate

#### Ash Removal System

Ashpan, rollers, grate.

#### Damper Bypass Assembly

Bypass plate, rod, handle

#### Door Handles and Latching Mechanism

Door handle, shaft, cam, hardware

**Exclusions:** Paint, Enamel Finish, Cement and Gasketing, Ceramic Glass, Accessories, Re-Installation Allowance, One-Way Freight Allowance, Cast Iron Parts, Combustion System

**CONDITIONS & EXCLUSIONS**

1. This new appliance must be installed by a qualified installer. It must be installed, operated, and maintained at all times in accordance with the instructions in the Owner's Manual. Any alteration, willful abuse, accident, neglect, or misuse of the product shall nullify this warranty.
2. This warranty is nontransferable, and is made to the ORIGINAL purchaser, provided that the purchase was made through an authorized Travis dealer.
3. Discoloration and some minor expansion, contraction, or movement of certain parts and resulting noise, is normal and not a defect and, therefore, not covered under warranty.
4. This warranty does not cover misuse of the stove. Misuse includes over-firing (operation where the connector or stove may glow red) of this appliance can cause serious damage and will nullify this warranty. Misuse includes use of salt saturated wood, chemically treated wood, or any fuel not recommended in the manual.
5. Damage to the stove due to improper break-in procedures (see manual for proper break in).
6. The salt air environment of coastal areas or a high humidity environment can be corrosive to the castings. These conditions can be corrosive and can cause the cast iron to rust. This warranty does not cover any damage caused by a salt air or high humidity environment.
7. Damage to the appliance while it is in transit is not covered by this warranty, but is subject to a claim against the common carrier.
8. The warranty, as outlined within this document, does not apply to the chimney components or other Non-Travis accessories used in conjunction with the installation of this product. If in doubt as to the extent of this warranty, contact your authorized Travis retailer before installation.
9. Travis Industries will not be responsible for inadequate performance caused by environmental conditions such as nearby trees, buildings, roof tops, wind, hills or mountains or negative pressure or other influences from mechanical systems such as furnaces, fans, clothes dryers, etc.
10. This Warranty is void if:
  - a. The appliance has been operated in atmospheres contaminated by chlorine, fluorine or other damaging chemicals.
  - b. The appliance is subject to submersion in water or prolonged periods of dampness or condensation.
  - c. Any damage to the appliance, combustion chamber, heat exchanger or other components due to water, or weather damage which is the result of, but not limited to, improper chimney/venting installation.
11. Exclusions to this 5 Year Warranty include: injury, loss of use, damage, failure to function due to accident, negligence, misuse, improper installation, alteration or adjustment of the manufacturer's settings of components, lack of proper and regular maintenance, damage incurred while the appliance is in transit, alteration, or act of God.
12. This 5 Year warranty excludes damage caused by normal wear and tear, such as paint discoloration or chipping, worn or torn gasketing, chipped or cracked firebrick, etc. Also excluded is damage to the appliance caused by abuse, improper installation, modification of the appliance, or the use of fuel other than that for which the appliance is configured (use cord wood only).
13. Damage to brass or plated surfaces caused by fingerprints, scratches, melted items, or other external sources left on the surfaces from the use of abrasive cleaners is not covered in this warranty. Damage to the surfaces from over-firing (operation where the steel may glow red) is not covered in this warranty.
14. TRAVIS INDUSTRIES, INC. is free of liability for any damages caused by the appliance, as well as inconvenience expenses and materials. Incidental or consequential damages are not covered by this warranty. In some states, the exclusion of incidental or consequential damage may not apply.
15. This warranty does not cover any loss or damage incurred by the use or removal of any component or apparatus to or from the Travis appliance without the express written permission of TRAVIS INDUSTRIES, INC. and bearing a TRAVIS INDUSTRIES, INC. label of approval. This warranty does not cover a stove repaired by someone other than a Travis Industries authorized dealer.
16. Any statement or representation of Travis products and their performance contained in Travis advertising, packaging literature, or printed material is not part of this 5 year warranty.
17. This warranty is automatically voided if the appliance's serial number has been removed or altered in any way. If the appliance is used for commercial purposes, it is excluded from this warranty.
18. No dealer, distributor, or similar person has the authority to represent or warrant Travis products beyond the terms contained within this warranty. TRAVIS INDUSTRIES, INC. assumes no liability for such warranties or representations.
19. Travis Industries will not cover the cost of the removal or re-installation of hearths, facing, mantels, venting or other components.
20. If for any reason any section of this warranty is declared invalid, the balance of the warranty remains in effect and all other clauses shall remain in effect.
21. This 5 year warranty is the only warranty supplied by Travis Industries, Inc., the manufacturer of the appliance. All other warranties, whether express or implied, are hereby expressly disclaimed and purchaser's recourse is expressly limited to the warranties set forth herein.

**IF WARRANTY SERVICE IS NEEDED:**

1. If you discover a problem that you believe is covered by this warranty, you **MUST REPORT** it to your Travis dealer **WITHIN 30 DAYS**, giving them proof of purchase, the purchase date, and the model name and serial number.
2. Travis Industries has the option of either repairing or replacing the defective component.
3. If your dealer is unable to repair your appliance's defect, he may process a warranty claim through TRAVIS INDUSTRIES, INC., including the name of the dealership where you purchased the appliance, a copy of your receipt showing the date of the appliance's purchase, and the serial number on your appliance. At that time, you may be asked to ship your appliance, freight charges prepaid, to TRAVIS INDUSTRIES, INC. TRAVIS INDUSTRIES, INC., at its option, will repair or replace, free of charge, your appliance if it is found to be defective in material or workmanship within the time frame stated within this 5 year warranty. TRAVIS INDUSTRIES, INC. will return your appliance, freight charges (years 1 to 3) prepaid by TRAVIS INDUSTRIES, INC., to your regional distributor, or dealership.
4. Check with your dealer in advance for any costs to you when arranging a warranty call. Mileage or service charges are not covered by this warranty. This charge can vary from store to store.
5. Any appliance or part thereof that is repaired or replaced during the limited warranty period will be warranted under the terms of the limited warranty for a period not to exceed the remaining term of the original limited warranty or three (3) months, whichever is longer.

Listing Label



**CAUTION:** HOT WHILE IN OPERATION. DO NOT TOUCH. KEEP CHILDREN, CLOTHING AND FURNITURE AWAY. CONTACT MAY CAUSE SKIN BURNS. SEE NAMEPLATE AND INSTRUCTIONS. DO NOT OVERFIRE. IF HEATER OR CHIMNEY CONNECTOR GLOWS, YOU ARE OVERFIRING. INSPECT AND CLEAN CHIMNEY AND CONNECTOR FREQUENTLY. UNDER CERTAIN CONDITIONS OF USE, CREOSOTE BUILDUP MAY OCCUR RAPIDLY. DO NOT USE GRATE OR ELEVATE FIRE. BUILD WOOD FIRE DIRECTLY ON HEARTH. OPERATE ONLY WITH FIREBRICK IN PLACE. OPERATE ONLY WITH DOOR CLOSED. OPEN FEED DOORS TO FEED FIRE ONLY. USE OF OTHER FUELS MAY DAMAGE THE HEATER AND CREATE A HAZARDOUS CONDITION. TYPE OF FUEL: SOLID WOOD ONLY.

Tested & Listed By **O-T-L us** Beaverton Oregon USA  
OMNI-Test Laboratories, Inc.

Report No. 028-S-75-2  
Tested to: UL-1482

Model: LEYDEN

Serial Number



DO NOT REMOVE THIS LABEL  
Listed Solid Fuel Burning Appliance.



TRAVIS INDUSTRIES  
HOUSE OF FIRE

Suitable for use in conventional residential installations, mobile homes and alcoves.

**PREVENT HOUSE FIRES** - Install and use only in accordance with the manufacturer's installation and operating instructions. Contact your local building or fire officials about restrictions and installation inspection in your area. Refer to local building codes and manufacturer's instructions for precautions required for passing a chimney or chimney connector through a combustible ceiling. Do not connect this unit to a chimney flue serving another appliance. Use a minimum 24 MSG black or 26 MSG blued steel chimney connector, connected to a lined masonry chimney, or UL 103HT factory-built chimney suitable for use with solid fuels. Minimum clearance between horizontal chimney connector and combustible materials - 18 in. Clearances may be reduced by methods specified in NFPA 211, listed wall shields, pipe shields, or other means approved by local building or fire officials.

**WARNING - MOBILE HOME** - An outside air inlet must be provided for combustion air, and be unobstructed while in use. Do not install appliance in a sleeping room. The structural integrity of the mobile home floor, walls and ceiling/roof must be maintained.

**DANGER:** Risk of electrical shock. Disconnect power supply before servicing. Route power cord away from unit. Do not route power cord over or under appliance.

Minimum Clearances to Combustible Materials - Freestanding Installation

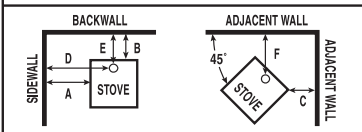
	Singlewall Connector Conventional Residential Installations	Reduced Clearance Conventional Residential Installations	Singlewall Connector with Pipe Shield Conventional Residential	Mobile Home Installations	Alcove Installations
A. Sidewall to Unit	18.00 in.	18.00 in.	18.00 in.	18.00 in.	18.00 in.
B. Backwall to Unit	27.25 in.	20.75 in.	17.25 in.	20.75 in.	20.75 in.
C. Corner to Unit	19.00 in.	14.00 in.	14.00 in.	14.00 in.	N/A
D. Sidewall to Connector	28.75 in.	28.25 in.	28.75 in.	28.25 in.	28.25 in.
E. Backwall to Connector	21.00 in.	14.00 in.	11.00 in.	14.00 in.	14.00 in.
F. Corner to Connector	23.00 in.	17.50 in.	18.00 in.	17.50 in.	N/A

COMPONENTS REQUIRED FOR MOBILE HOME, ALCOVE, AND REDUCED CLEARANCE CONVENTIONAL RESIDENTIAL INSTALLATIONS

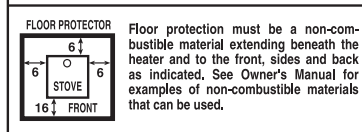
One of the following listed chimney connectors and compatible chimney systems:

- AMERI-TEC model DCC connector with model HS chimney
- DURA-VENT model DVL connector with DURA-PLUS chimney
- GSW-JAKES EVANS SUPERPIPE 2100
- I.C.C. EXCEL (103-HT) chimney with HP connector
- METALFAB model DW connector with TG chimney
- OLIVER MACLEOD PROVENT model PV connector with model 3103 chimney
- SECURITY model DP connector with SECURITY model ASHT or S2100 chimney
- SELKIRK METALBESTOS model DS connector with model SSI chimney

Freestanding Clearance Diagram



Floor Protection Diagram



Alcove Specifications:  
Maximum 48 inch depth,  
minimum 84 inch height,  
minimum 63.25 inch width.

OPTIONS: 125 CFM Blower Package (Rated 120v, 1.8 Amp., 60hz.)

Notes: Replace glass with 5mm neoceramic or ceramic glass only.  
For use with solid wood fuels only. Operate only with feed door closed - open to feed fire only.  
Do not use a grate or elevate fire - build fire directly on the hearth.

DATE OF MANUFACTURE

	2006	2007	2008	2009	
Jan	■	■	■	■	
Feb	■	■	■	■	Jun
Mar	■	■	■	■	
Apr	■	■	■	■	May
May	■	■	■	■	
Jun	■	■	■	■	Jun
Jul	■	■	■	■	
Aug	■	■	■	■	Nov
Sep	■	■	■	■	Dec
Oct	■	■	■	■	
Nov	■	■	■	■	
Dec	■	■	■	■	

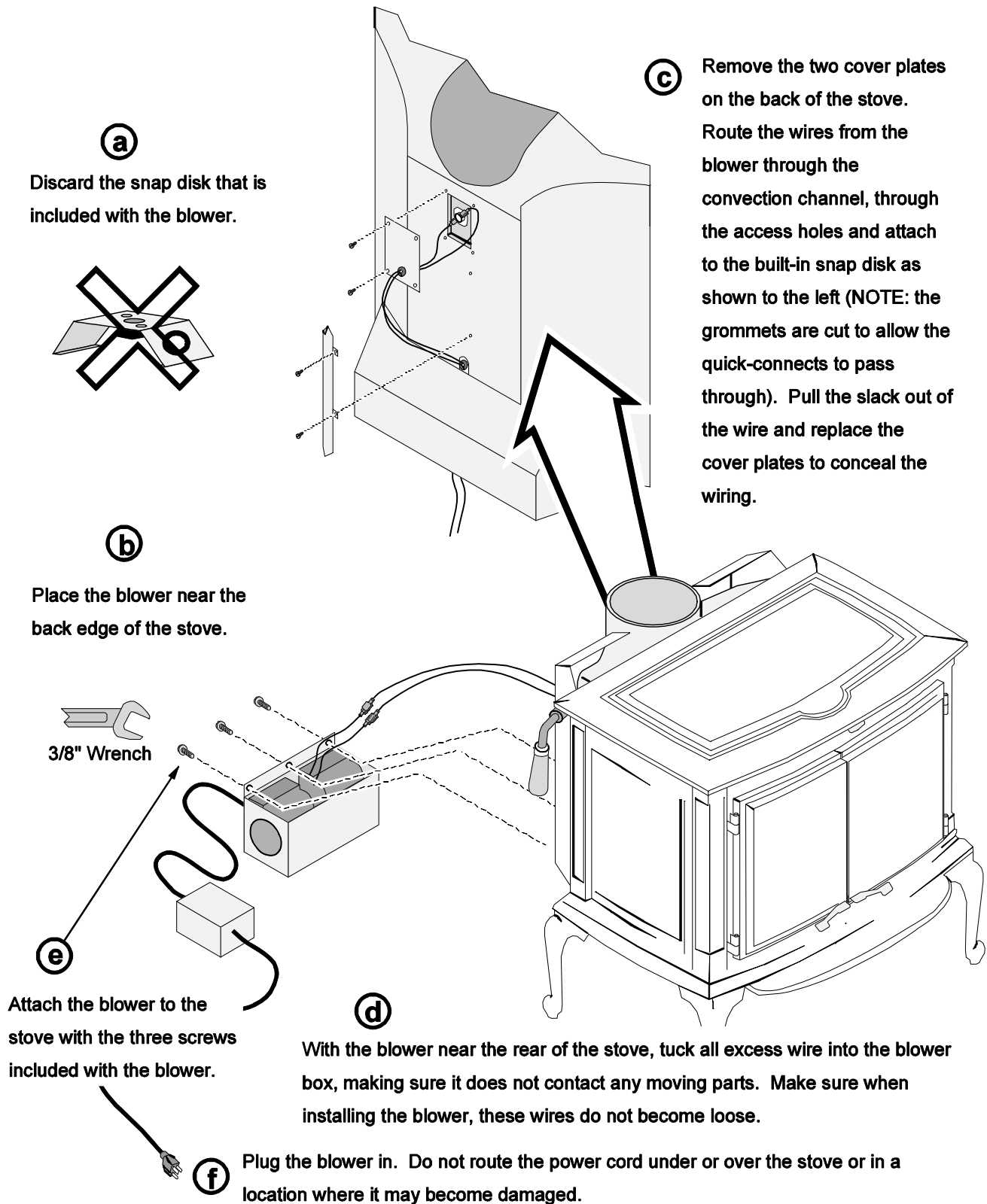
0581 (IGN)

U.S. ENVIRONMENTAL PROTECTION AGENCY  
Certified to comply with July 1990  
particulate emission standards.

Manufactured by: Travis Industries, Inc.  
4800 Harbour Pointe Blvd. SW  
Mukilteo, WA 98275

### Rear Blower Installation (Part # 99000138)

The rear blower improves heat transfer by pushing heated air through the convection channel. Operating instructions are described in the section "Blower Operation".



Air Control (Adjusting the Burn Rate) .....	23	Hearth Stove Positive Connection.....	17
Alcove Installation Requirements .....	14	Hints for Burning .....	26
Ash Removal.....	24	Interior or Exterior Masonry Chimney.....	18
Ash Removal.....	30	Introduction & Important Information .....	2
Ashpan.....	24	Listing Information.....	38
Blower Cleaning (if applicable) .....	32	Loading (Re-Loading the Stove) .....	25
Blower Installation .....	39	Loading Lid Gasket Replacement .....	34
Blower Operation .....	25	Loading Lid Operation.....	21
Brick Removal & Replacement.....	35	Mobile Home Requirements.....	15
Burn Rate.....	23	Monthly Maintenance (while appliance is in use) .....	31
Bypass Operation.....	21	Opening the Doors .....	20
Cathedral Ceiling with a Factory Built Chimney.....	16	Operating the Stove when it is Hot.....	19
Chimney Connector Requirments .....	11	Outside Air Requirements .....	13
Chimney Requirements.....	12	Over-Firing the Stove .....	19
Chimney Termination Requirements.....	13	Overnight Burn.....	25
Clearances.....	8	Paint (Touch Up Paint).....	32
Combustor Removal & Replacement .....	35	Paint Smell (Curing the Paint).....	19
Corner Installation (Top View).....	9	Planning the Installation .....	7
Creosote - Formation and Need for Removal.....	31	Preparation for Installation .....	7
Curing the Paint .....	19	Rear Vent Configuration.....	10
Daily Maintenance (while stove is in use).....	30	Safety Label .....	38
Damper (Bypass Operation).....	21	Safety Precautions .....	4
Door and Glass Inspection .....	31	Sounds.....	25
Door Gasket Replacement.....	34	Specifications .....	6
Door Handle Replacement .....	34	Standard Ceiling with a Factory Built Chimney.....	16
Door Parts .....	34	Starting a Fire.....	22
Doors (Opening the Doors) .....	20	Stove Installation Considerations .....	7
Features & Specifications.....	6	Stove Placement Requirements.....	8
Firebox Parts.....	35	Top View - Corner Installation .....	9
First Fire.....	19	Top View - Straight Installation.....	9
Floor Protection Requirements.....	8	Troubleshooting .....	29
Glass Cleaning.....	30	Warnings (Safety Precautions).....	4
Glass Replacement.....	34	Warranty.....	34
Hearth (Floor Protection Requirements).....	8	Wood (Selecting Wood) .....	26
Hearth Stove Direct Connection.....	17	Yearly Maintenance.....	32