

Model → 19



Form No. 016391-1-482

KING PRODUCTS DIVISION
P.O. Box 128, Florence, AL 35630

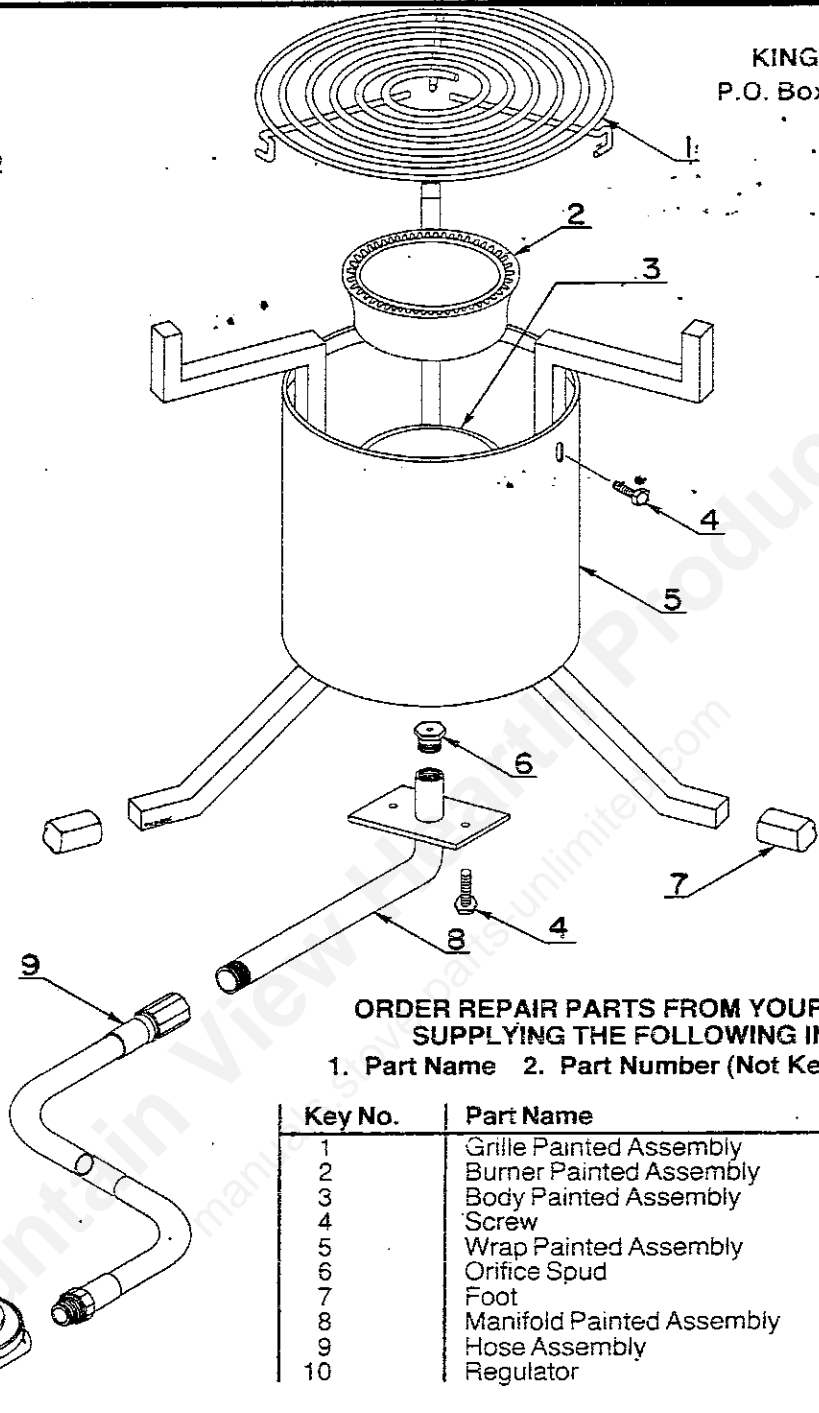


FIGURE 1

ORDER REPAIR PARTS FROM YOUR KING DEALER BY
SUPPLYING THE FOLLOWING INFORMATION:

1. Part Name 2. Part Number (Not Key No.) 3. Model No.

Key No.	Part Name	Part Number
1	Grille Painted Assembly	016405
2	Burner Painted Assembly	016394
3	Body Painted Assembly	016408
4	Screw	016416
5	Wrap Painted Assembly	016398
6	Orifice Spud	P4900
7	Foot	016411
8	Manifold Painted Assembly	016400
9	Hose Assembly	016415
10	Regulator	016412