

# INSTALLATION INSTRUCTIONS

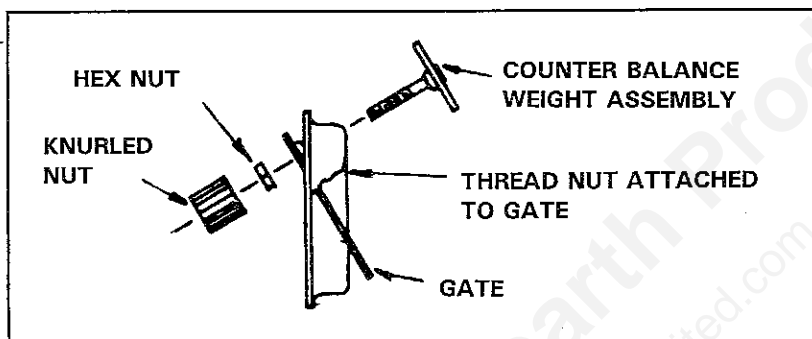
## DRAFT REGULATORS

READ CAREFULLY

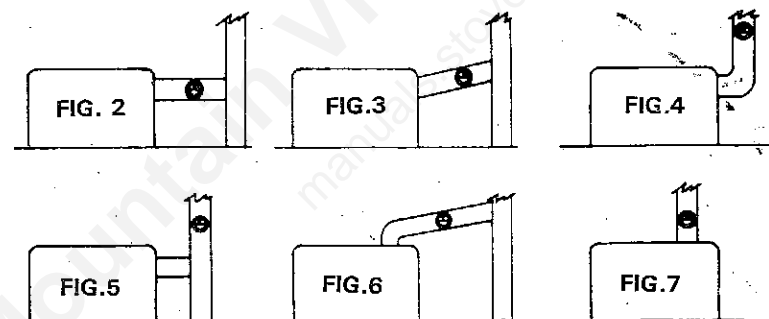
The regulator contained in this package is manufactured with careful precision. It is designed to regulate chimney draft with a high degree of accuracy and fuel efficiency.

**Step 1** WEIGHT ASSEMBLY MUST BE ATTACHED TO DAMPER PRIOR TO ITS INSTALLATION IN FLUE PIPE, REFER TO ILLUSTRATION BELOW:

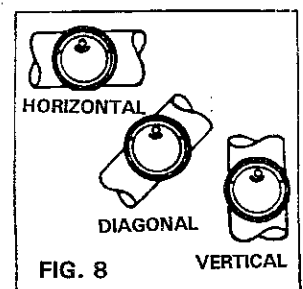
(Fig. 1)



**Step 2** LOCATION OF DRAFT CONTROL (See Figs. 2-8)  
BEST LOCATIONS FOR SOLID FUELS



**NOTE:** Damper must be mounted with the hinge pins horizontal and the face of the damper plumb for correct operation. This is done by rotating the damper section within the collar for any pipe position. Tighten screw to hold firmly in place.



**Step 3** BALANCING WEIGHT ASSEMBLY AND DRAFT ADJUSTMENT FOR WOOD AND COAL FIRED APPLICATIONS.

(See Fig. 1)

Assemble the "counter balance weight assembly" to the draft control as shown in Fig. 1. Thread "counter balance weight" through "threaded nut" attached to the gate. Assemble "hex nut" and "knurled nut" on front of gate as shown in Fig. 1.

Installation of this Draft Control should be made in accordance with the stove manufacturer's instructions. When this is not possible, follow the directions below: (NOTE: For the regulator to operate properly, the chimney must be clean and free of obstructions.)

SEE REVERSE SIDE FOR OIL FIRED APPLICATIONS