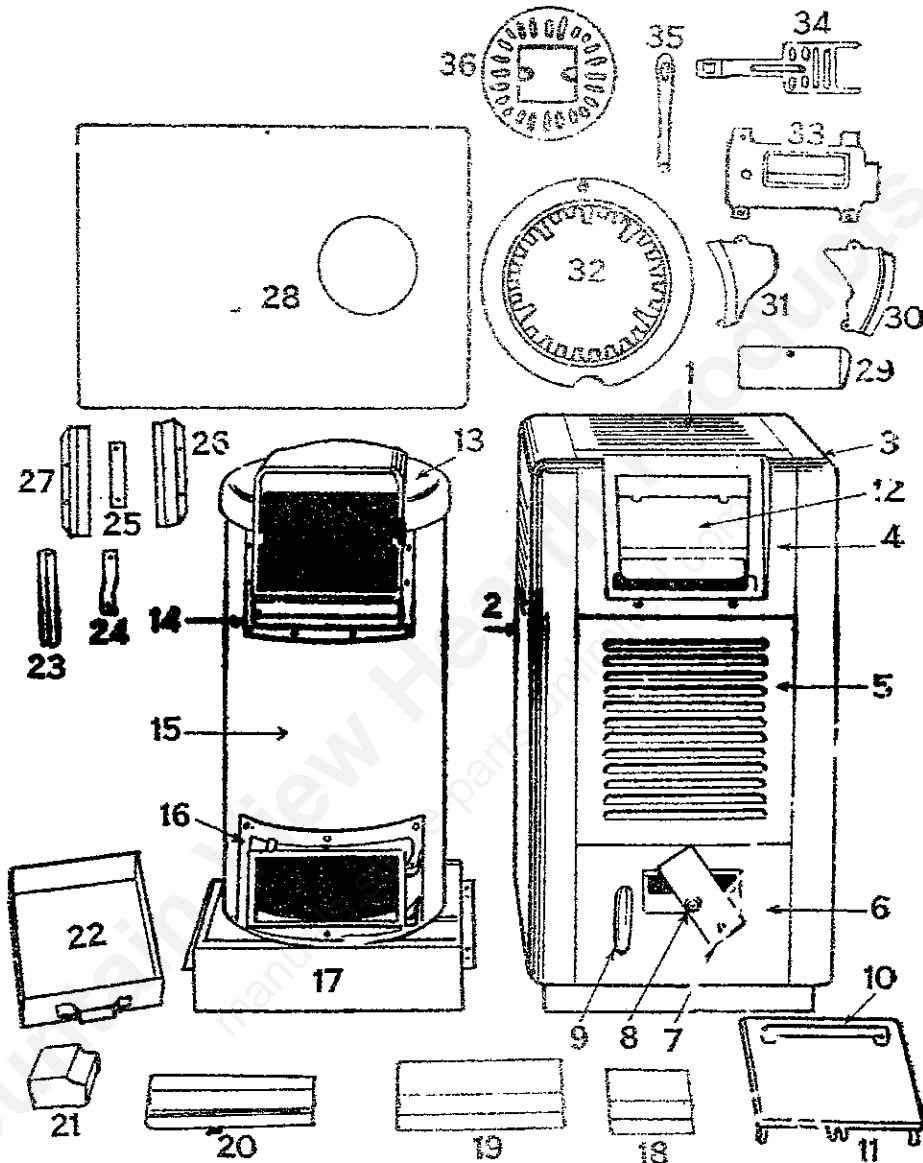


**PARTS ILLUSTRATION AND PARTS LIST FOR CIRCULATOR  
MODEL NUMBER 143.100160**

All parts listed herein may be ordered through any Sears retail or your nearest mail order store. Selling prices will be furnished on request, or parts will be shipped at prevailing prices and you will be billed accordingly.



When ordering repair parts always give the following information:

1. The Model Number of your heater which is on a plate located on steel body at rear of heater.
2. The Illustration Number, the Part Number and Name of Part shown in this list.

Illus. No.	Part No.	Part Name	Illus. No.	Part No.	Part Name
1	2361	Outside Top	19	2694	Whole Brick (1)
2	2362	Left Side	20	2375	Split Brick (1)
3	2363	Right Side	21	2376	Quarter Brick (2)
4	2364	Outside Feed Door Frame	22	2671	Ash Pan
5	2365	Outside Front	23	2377	Grate Posts
6	2366	Ash Pit Door Panel	24	2378	Base Lugs—Side—Fluher (2)
7	2367	Ash Pit Door Draft Slide	25	2379	Base Lugs—Back (1)
8	1001	Ash Pit Draft Door Knob	26	2380	Right Brick Support Bracket
9	2736	Ash Pit Door Handle	27	2381	Left Brick Support Bracket
10	2368	Fire Door Handle	28	2382	Back Panel
11	2369	Fire Door	29	2383	Feed Door Chute
12	2370	Baffle Plate	30	2384	Right Half Collar
13	2371	Inside or Collar Top	31	2385	Left Half Collar
14	2372	Inside Feed Door Front	32	2738	Brick Support Ring
15	2373	Body	33	2386	Ash Pit Door, Inside
16	2741	Ash Pit Inside Front	34	2740	Draw Grate
17	2374	Base	35	2704	Shaker
18	2695	Not used in this model	36	2739	Round Grate