

OPERATING INSTRUCTIONS AND  
PARTS LIST FOR  
*SEARS COMFORT HEATER*

MODEL NUMBER

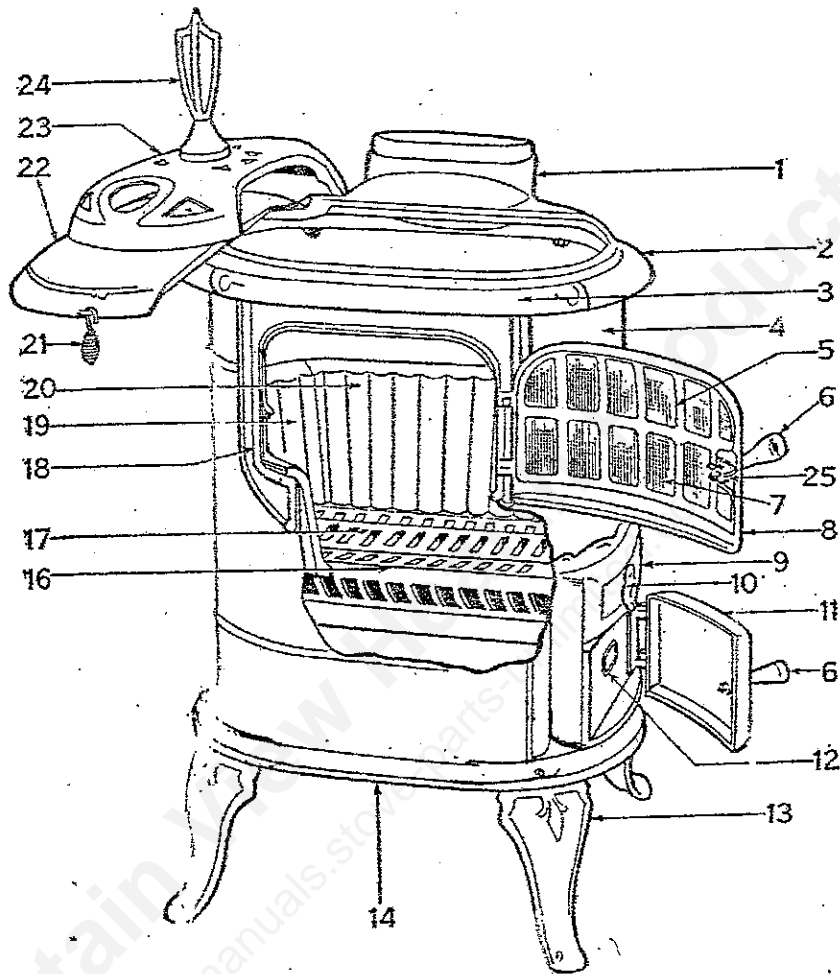
**143.110**

The model number of your Comfort heater will be found on main Steel Body at back near bottom. Always mention this model number when communicating with us regarding this stove or when ordering repair parts.

THIS LIST IS AVAILABLE. IT WILL ASSURE YOUR BEING ABLE TO OBTAIN PROPER PARTS SERVICE AT ALL TIMES. WE SUGGEST YOU KEEP IT WITH OTHER VALUABLE PAPERS.

**SEARS, ROEBUCK AND CO. U. S. A.**  
**SIMPSON, SEARS, LTD. CANADA**

OPERATING INSTRUCTIONS FOR SEARS COMFORT HEATERS  
 MODEL NUMBERS  
 143.110



INSTRUCTIONS FOR SETTING UP AND OPERATING THE STOVE

**SETTING UP THE STOVE**—Before putting up the stove pipe, **TEST THE CHIMNEY DRAFT** by placing a ball of crushed paper the size of your stove pipe in the chimney hole and set it on fire; if the draft is strong enough to work with your stove, it will draw the paper ball into and up the chimney after it has been lighted. If it will not do this, the chimney should be examined. Do not expect a stove to draw; it is the chimney that creates the draft. Stove board or zinc should always be used under the stove to protect the floor. Place the stove where you want it to stand, preferably directly in front of the chimney to avoid using more than one elbow. Put a damper in the first joint of pipe which will help control the fire and save fuel. The stove pipe should rise slightly from elbow all the way to the chimney. At no point should it be higher than

the chimney opening. All loose parts are packed inside the stove. Tilt the stove back and bolt two of the legs in place. If the stove is not just where you want it, be sure to lift it to move and do not slide it on the floor as the legs may break from the extra strain. Fasten all loose parts in their proper place. After the stove is set up, rub the nickel plated parts with a flannel or other soft cloth to brighten the finish.

**USING THE STOVE**—Let the first fire be a moderate one. Heat the stove gradually and there will be no danger of any part fire cracking. Do not fill the fire pot more than three-fourths full at any time. Shake the ashes down frequently and remove from the stove to prolong life of grates and fire pot.

**PARTS LIST FOR SEARS COMFORT HEATERS  
MODEL NUMBER 143.110 COMFORT**

**PARTS ILLUSTRATED**

Part No.	Diag. No.	NAME OF PART
1180	1	Front collar section _____
1218	2	Collar top _____
1219	3	Front top rail _____
1220	4	Main body, steel _____
1185	6	Fire or ash door handle _____
1223	8	Fire door _____
1224	9	Ash door frame, right _____
1189	10	Shaker hole cover stop _____
1225	11	Ash door _____
1226	12	Ash pan _____
1192	13	Leg, any _____
1227	14	Main bottom _____
1229	16	Duplex grate bar, long (front) _____
1230	17	Duplex grate bar, short (back) _____
1231	18	Fire door frame, front _____
*1232	19	Left section, firebox lining _____
*1233	20	Back section, firebox lining _____
1200	21	Swing top, drop handle _____
1234	22	Swing top _____
1235	23	Urn base _____
1203	24	Urn _____
1204	25	Inside catch—fire door handle _____
		* Viewing heater from front

**PARTS NOT ILLUSTRATED**

1204	Inside catch—ash door handle _____
1205	Back collar section _____
1206	Draft register wheel, back collar section _____
*1236	Right section, firebox lining _____
*1237	Front section, firebox lining _____
1210	Grate yoke, front _____
1238	Grate frame _____
1239	Grate frame post _____
1213	Hinge pins, two _____
1214	Screw draft, fire door front frame _____
1215	Shaker _____
1216	Grate cog _____
1240	Name Plate _____
	* Viewing heater from front

**HOW TO ORDER REPAIR PARTS**

All parts shown on this list and on parts diagram may be ordered through any Sears retail or mail order store. Selling prices will be furnished on request or parts will be shipped at prevailing prices and you will be billed accordingly.

**WHEN ORDERING REPAIR PARTS ALWAYS GIVE THE FOLLOWING INFORMATION:**

1. The Diagram or Part Number.
2. Part Name.
3. The Model Number of your Stove which will be found on a plate fastened to the Main Steel Body at back near bottom.