

F432

**OPERATING INSTRUCTIONS  
AND PARTS LIST FOR  
KENMORE COAL AND WOOD RANGE**

**MODEL NUMBER 143.343115**

***Kenmore Coal or Wood Range***

The model number of your Range will be found on a plate attached to main back under wood pocket. Always mention this model number when communicating with us regarding this range or when ordering repair parts.

**SEARS STOVE GUARANTEE**

**THIS STOVE** was thoroughly examined before shipment from our factory. Please read the instruction booklet carefully because it tells you how to properly install and operate this stove.

Any part or portion (Except Porcelain Enamel) which our examination shall disclose to be defective in material or workmanship will be replaced or repaired at no charge for a period of one year from date of purchase.

**PORCELAIN ENAMEL** is actually glass fused to metal and is breakable if not properly cared for, and consequently cannot be guaranteed. If, however, a defective porcelain part is reported within thirty days after date of purchase, we will furnish replacement at no charge.

**ALWAYS** contact the store where you purchased the stove when making inquiries about parts or repairs.

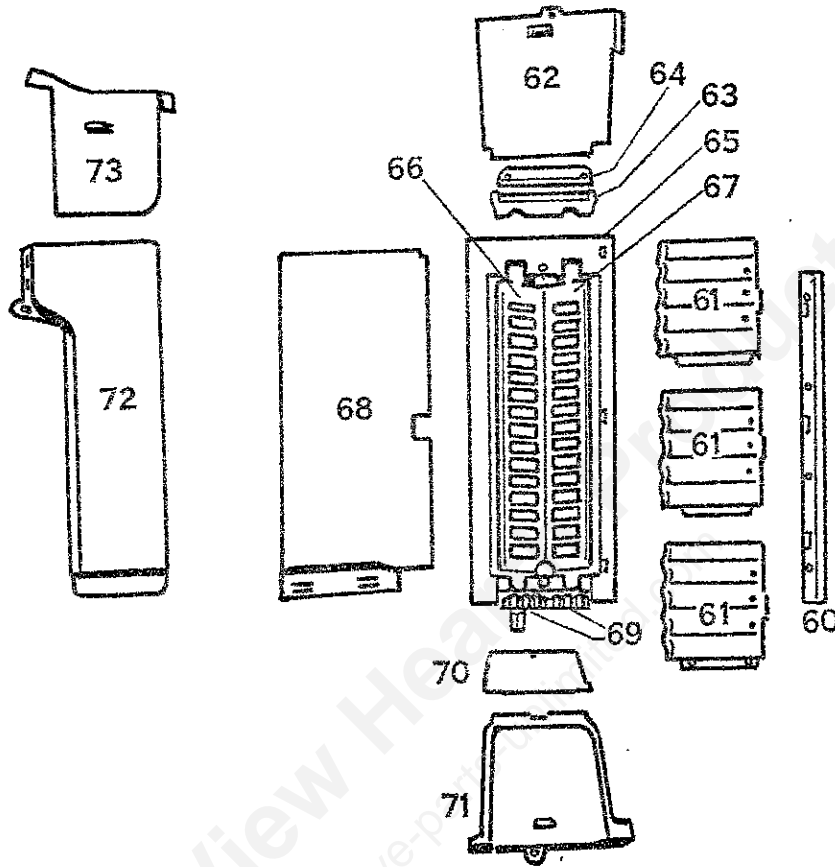
This list is valuable. It will assure your being able to obtain proper parts service at all times. We suggest you keep it with other valuable papers.

**SEARS, ROEBUCK AND CO. U. S. A.**

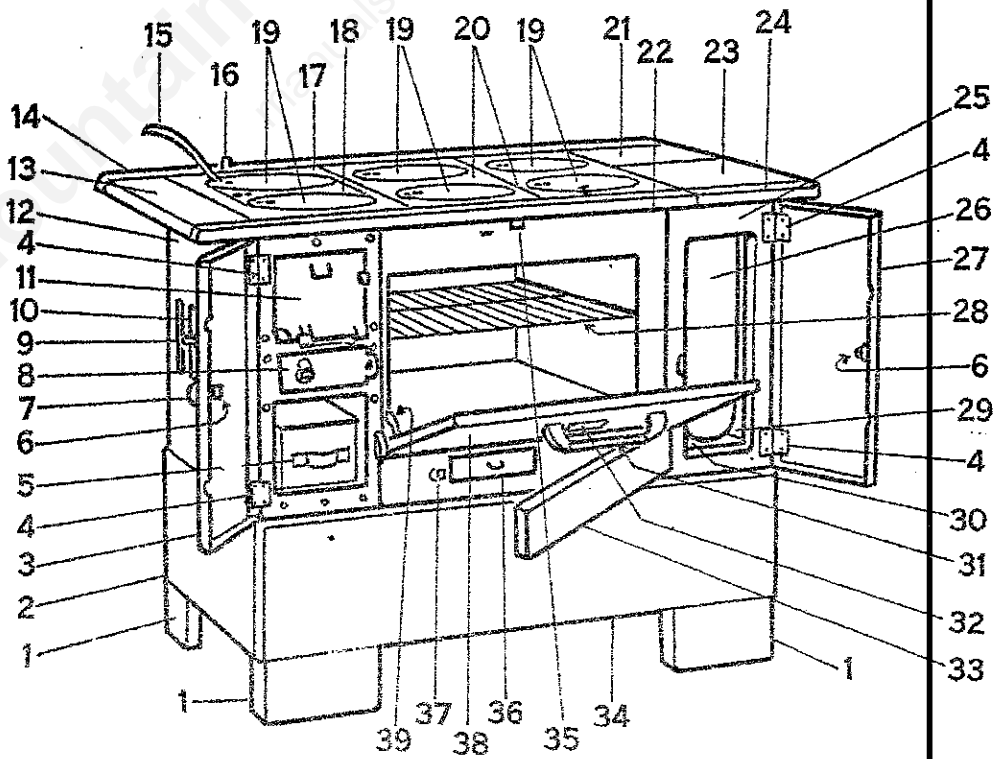
# KENMORE COAL AND WOOD RANGE

MODEL NUMBER 143.343115

## FIREBOX SECTION



## BODY SECTION



For Parts List—See Page 3

# KENMORE COAL AND WOOD RANGE

MODEL NUMBER 143.343115

WHEN ORDERING REPAIR PARTS, ALWAYS GIVE THE FOLLOWING INFORMATION AS SHOWN IN THIS LIST:

1. THE PART NUMBER.
2. THE PART NAME.
3. THE MODEL NUMBER—143.343115.
4. THE NAME OF ITEM—COAL AND WOOD RANGE.

Do not use Key Numbers when ordering Repair Parts; always use Part Numbers.

Parts Illustrated		PARTS LIST		For Illustration—See Page 2	
Key No.	Part No.	Description	Key No.	Part No.	Description
1	2800	Leg - any	20	1014	Anchor Plate (solid type) Center & Right
2	1121	Base-End-Left-10" Wide	21	1012	Reservoir Cover - rear
3	1020	Fire Door Panel	22	1008	Front Top Section
4	1029	Fire Door Hinge - either	23	1011	Reservoir Cover - front
4	1029	Reservoir Door Hinge - either	24	1010	Reservoir Top
5	1034	Ash Pan	25	1026	Reservoir Front
6	1032	Fire and Ash Door Catch	26	1071	Reservoir Tank - Enameled
6	1032	Reservoir Door Catch	27	1020	Reservoir Door Panel
7	1031	Fire Door Knob	28	1037	Oven Rack
8	1027	Fire and Ash Front - inner	29	1024	Right End Panel
9	1001	Left End Draft Register Slide Knob	30	1025	Reservoir Compartment Bottom
10	1127	Left End Draft Register Slide	31	1039	Oven Door Handle
11	1028	Fire Door - inner	32	1038	Thermometer
12	1126	Left End Panel	33	1023	Clean Out Panel
13	1128	Left End Top Section	34	1120	Base, Front Strip, long 10" wide
14	1177	Back Top Section	35	1036	Oven Door Catch
15	1018	Lifter and Shaker	36	1035	Cleanout Door - inner
16	1178	Direct Draft Damper Handle	37	1033	Cleanout Panel Catch
17	1015	Anchor Plate (open type) Left	38	1021	Oven Door Panel
18	1016	Short Center	39	1081	Oven Door Hinge - right or left
19	1017	Lid - any			

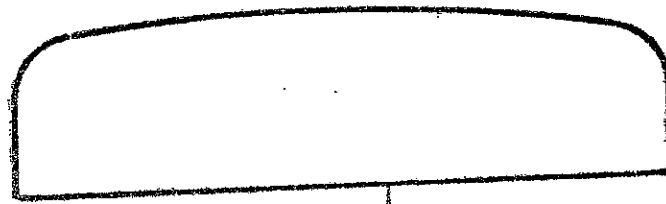
**IMPORTANT NOTE:** The Model 143.343115 Range was manufactured with optional upper assemblies. Determine correct assembly by comparing illustrations on page 4 with customer's range.

For Illustrations—See Pages 2 and 4.

Key No.	Part No.	Description	Key No.	Part No.	Description
40	1040	High Closet Bracket - left	69	1100	Grate Cogs - 2
41	1030	High Closet Door Knob - either	70	1108	Grate Clamp, Front
42	1046	High Closet Door Panel - either	71	1124	Front End Lining
43	1050	High Closet Door Stop - either left	72	1022	Water Front (straight type) (optional)
44	1042	High Closet End - Left	73	1047	Water Front - Back End Lining
45	1048	High Closet Front Frame - Left			<b>Parts Not Illustrated</b>
46	1045	High Closet Back Guard		1073	Anchor Plate (french type)
47	1059	High Closet Bottom Shelf		1087	Asbestos (oven top insulation)
48	1043	High Closet Back		1095	Asbestos (left end Protection Shield)
49	1044	High Closet End - Right		1121	Base Strip, End - Right
50	1049	High Closet Front Frame - Right		1122	Base Strip, Back
51	1051	High Closet Door Stop - either, right		1099	Body
52	1041	High Closet Bracket - Right		1074	Direct Draft Damper Rod
53	1052	High Closet Splasher		1075	Direct Draft Damper
54	1066	High Shelf Bracket - Left		1076	Flue Collar
55	1068	High Shelf Backguard		1077	Flue Scraper
56	1064	High Shelf Top Shelf		1060	High Closet Door Lining
57	1067	High Shelf Bracket - right		1061	High Closet Hinge Rod
58	1052	High Shelf Splasher		1058	High Closet Top Shelf
59	1173	Backguard 10"		1094	Left End Protection Shield - steel
60	1111	Hanger for 3-Piece Fire Back		1174	Back Guard Brackets, 2 - 10" Backguard
61	1070	Section Fireback (3-pc. Fireback)		1119	Number Plate
62	1153	Back End Lining		2901	Oven Brace, Top
63	1107	Grate Clamp, Back		1082	Oven Door Hinge Stud
64	1110	Grate Frame Rest		1083	Oven Door Lining
65	1109	Grate Frame		1084	Oven Rack Support Strip
66	1101	Duplex Grate Bar, Long - Left		1086	Oven Top Insulation Shield
67	1102	Duplex Grate Bar, Short - Right		1072	Reservoir Back
68	1125	Left Fire Box Lining - 1-piece		1031	Reservoir Door Knob
				2360	Flue Back
				2902	Wood Pocket

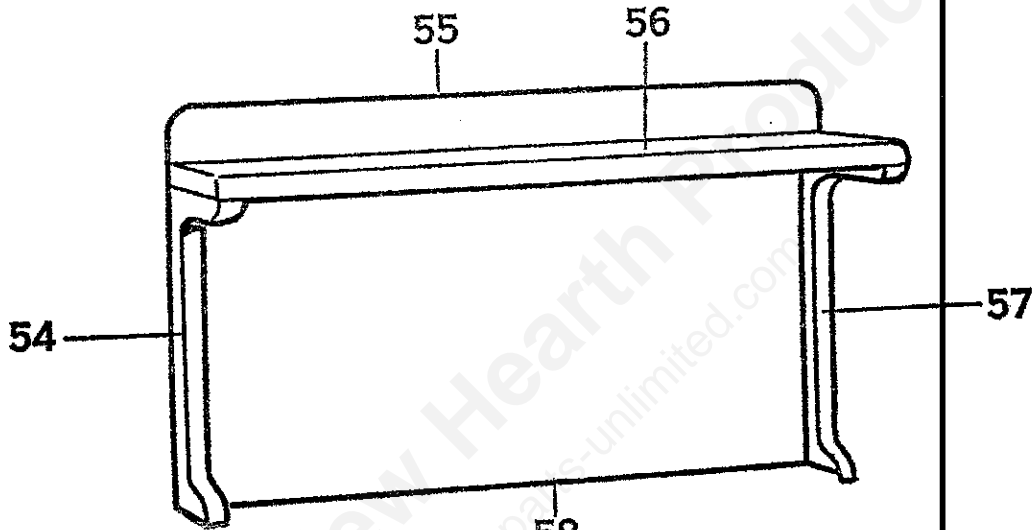
# KENMORE COAL AND WOOD RANGE

MODEL NUMBER 143.343115



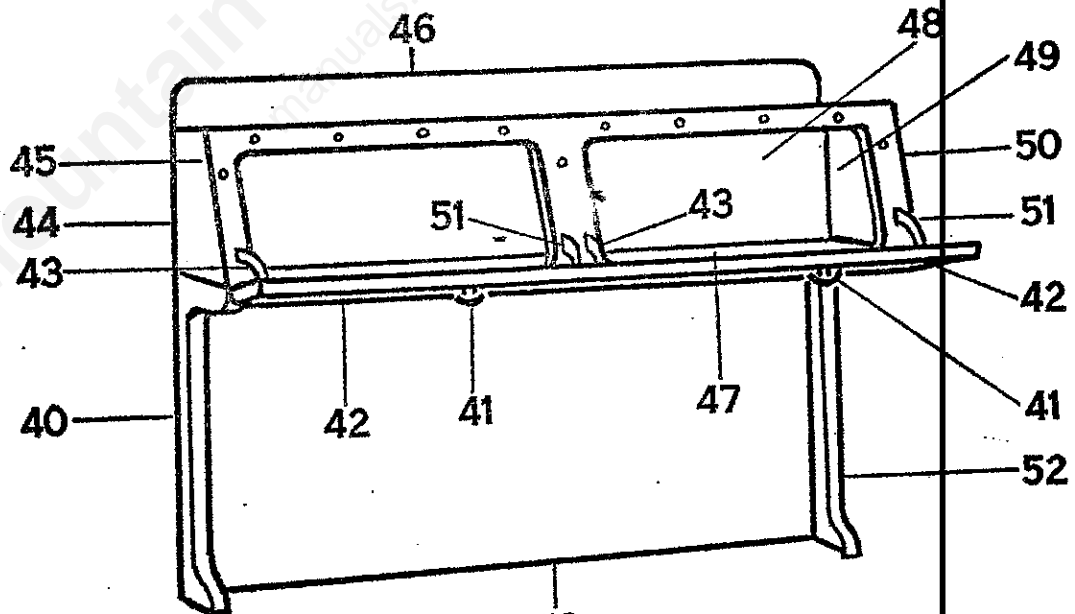
59

BACKGUARD ASSEMBLY



58

HIGH SHELF ASSEMBLY



53

HIGH CLOSET ASSEMBLY

For Parts List—See Page 3.

# OPERATING INSTRUCTIONS

## KENMORE COAL AND WOOD RANGE

MODEL NUMBER 143.343115

READ THESE INSTRUCTIONS CAREFULLY TO GET BEST RESULTS AND AVOID TROUBLE

Reference to illustrations will enable you to follow the operating instructions.

No. 1

### WARNING

**CAUTION: Reservoir Must Be Filled With Water Before Fire Is Built**

This stove is designed for cooking and baking and not for heating purposes. Overfiring the stove in attempt to heat 2 or 3 rooms, will quickly damage the firebox and cooking top parts. Always check the fire as soon as the firebox casting becomes cherry red in color. Remember, burned out or warped parts are the result of improper use, and are due either to overfiring or to allowing ashes to pile up to the grates, cutting off the circulation of air.

The parts of the cooking top are purposely made to fit loosely, to allow plenty of room for expansion and prevent warping and cracking when heated. This space will be taken up somewhat as the parts become permanently expanded from the continued heating of regular use.

No. 2

### STOVEPIPE AND ELBOWS

Set the stove directly in front of the chimney, if possible, to avoid using more than one elbow.

Use stovepipe the same size as collar on stove; if necessary, enlarge hole in chimney to fit pipe.

It is absolutely necessary that a damper be used in the first joint of pipe, (See No. 2, Fig. 1) to help control the fire and save fuel. For soft coal and wood use a damper with a hole in the center.

The stovepipe should rise slightly from elbow all the way to chimney; at no point should it be higher than chimney opening. Avoid long horizontal runs of pipe and do not use more than one elbow if avoidable. Be careful not to push the pipe too far into the chimney. The stovepipe should extend into the pipe hole just to inside of chimney-wall. (See Fig. 4)

No. 3

### CARE OF ENAMELED PARTS

Porcelain is a hard, glass-like coating, baked onto the steel or iron and is very serviceable, but it will not stand rough handling or abuse. When setting up range, do not draw up the bolts on enamel parts too tight. Clean with soap and warm water when stove is not hot. Do not use any acids or scouring soap, as these wear on the glass-like finish.

No. 4

### CARE OF POLISHED TOPS

Before stove is put into use, the polished top should be wiped off with a cloth to remove the grease which has been put on at the factory to prevent rusting. To retain this rich finish while the stove is in use, and to prevent the top rusting, it should be carefully wiped off daily with a cloth dipped in vaseline or petroleum jelly.

Remember, unless the polished top is carefully cleaned and wiped off each day, it will rust.

No. 5

### BEFORE STARTING THE FIRE

It is very important that you become perfectly familiar with the operation of the dampers to get the best results. Remove lids and operate the dampers to see that they work properly. Do not make a mistake and have them open when they should be closed, or closed when they should be open. Make sure that the CLEANOUT DOOR in main front of stove fits tight.

Remember, do not overheat your stove. Should the castings become a cherry red color, check the fire at once. Overheating has a tendency to cause the castings of the stove to warp.

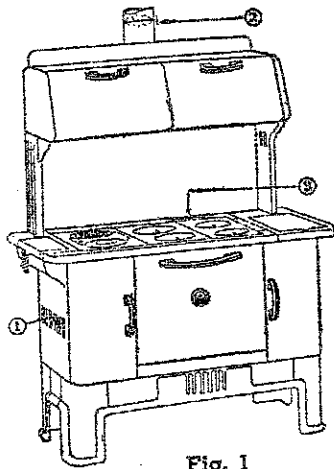


Fig. 1

#### No. 6

#### FUEL

Do not fill fire box more than three-fourths full.

**WOOD:** Should be dry and well seasoned. Green or wet wood burns slowly and gives about one-half the heat that seasoned wood does.

**SOFT COAL:** Should be of good quality, dry, and broken in lumps about egg size. Feed soft coal a little at a time and never fill the fire box more than three-fourths full.

#### No. 7

#### HOW TO REGULATE DAMPERS

(For Damper Numbers Refer to Figure 1)

1. Draft Slide No. 1 in Left Body End, below fire box. Open to start fire. Close to check fire.
2. Damper No. 2 in Stovepipe. Open to start fire. Close to check fire.
3. Direct Draft or Oven Damper No. 3 under Pipe collar. Open to start fire. Close to check fire or heat oven.

#### No. 8

#### STARTING THE FIRE TO BAKE

(For Damper Numbers Refer to Figure 1)

Open damper (No. 2) in stove pipe. Open lower draft slide (No. 1) in left end. Open direct draft or oven damper (No. 3) under pipe collar.

When fire is burning good, close oven damper (No. 3) under pipe collar, so that heat will travel around the oven, and in a short time it will be ready for baking. Now close lower draft damper (No. 1). Should heat in oven increase, close damper (No. 2) a little. If heat decreases, or oven cools while baking, open lower draft damper (No. 1) a little. Should oven not get hot enough to bake in from fifteen to twenty-five minutes with soft coal and from forty-five to sixty minutes with hard coal, the FAULT is with CHIMNEY or in the manner in which the stove is connected.

The oven should be thoroughly heated before pans containing dough are put in. If the dough is put in before the oven is hot enough, it will dry out, and will not bake through.

Owing to the differences in construction of chimney flues, it may require a few days practice in order properly to regulate the dampers to hold a steady fire.

Do not allow the ash door to stand open. Enough draft is supplied through lower draft damper (No. 1).

#### No. 9

#### TO HOLD FIRE OVER NIGHT

##### With Coal Only

Put on plenty of fuel. Close direct damper (No. 3). Close lower draft damper (No. 1). Also close damper in stovepipe just enough to hold fire without smoking.

#### No. 10

#### RESERVOIR

Do not let the reservoir run dry. Keep the reservoir tank clean, washing out all sediment, which may accumulate in it from time to time. If you let the reservoir run dry, heat may open the solder joint or if you let the sediment accumulate on the bottom, it may cause the reservoir to rust and start a leak.

#### No. 11

#### BE SURE TO EMPTY ASH PAN AT LEAST ONCE EACH DAY

Do not allow ashes to bank up under grates, as this will cause them to warp and burn out quickly. This is not due to poor material but is caused by improper use. Just as the normal mileage of an automobile tire may be considerably reduced by skidding, so the best stove grates made can be ruined in a few days if ashes are allowed to bank up under them. Remove the ashes daily and the grates will last for a long time.

Many people do not understand the flue construction of ranges and cook stoves, so we suggest that you examine your stove and become thoroughly familiar with this important detail. The illustrations and instructions below make this very simple.

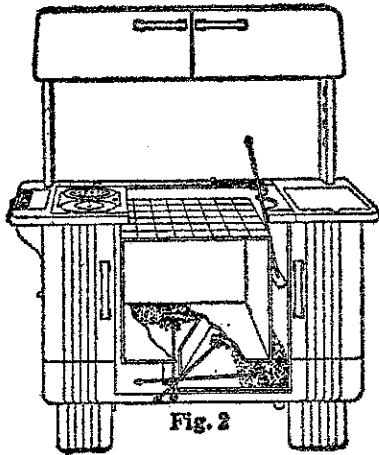


Fig. 2

The stove flues should be cleaned frequently, for just as soon as soot begins to collect in any quantity it will interfere with the draft and cause the fire to smoke and burn slowly. When soot collects in flues it shuts off draft, just the same as closing a damper in the stove pipe. Figures 2 and 3 show how the soot gathers in the corners, cutting off the draft. Soft coal gives off a great deal of soot and, when this fuel is used, the flues should be cleaned out thoroughly every week or ten days.

Take off the lids and other top pieces, and brush the under side of the pieces thoroughly to remove soot and scales. When removing soot from top of oven, do not scrape it clean, but always leave a thin layer of soot or fine ashes on this part to insure even baking.

Use flue scraper in down flue at right side of oven (see Figure 2), pushing soot down into the bottom flue. Be sure to scrape walls on both sides of flue. Remove cleanout door and clean bottom flue in every corner and at base of flue running up to stove pipe (see Figure 3). There is a flue strip or partition under oven bottom that divides bottom flue into two sections (see Figure 2). Be sure to clean every corner of both sections thoroughly.

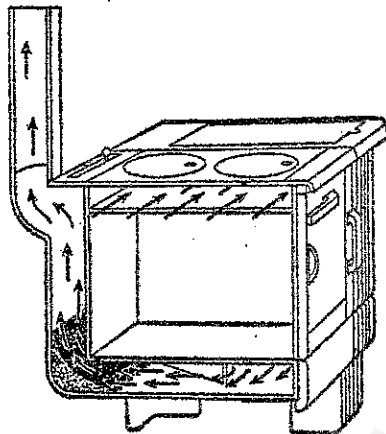


Fig. 3

**No. 14 HERE ARE SOME REASONS WHY A STOVE IS CONDEMNED WHEN THE FAULT IS WITH THE CHIMNEY OR CONNECTIONS**

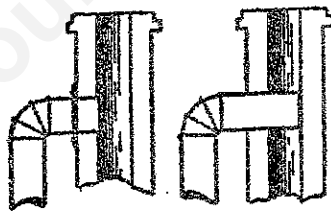
Do not expect a stove to draw; it is the chimney that creates the draft.

Stove pipe may be pushed into chimney too far, stopping the draft (see Fig. 4).

Do not connect two stoves with the same chimney flue if possible to avoid it. If it can not be avoided, be sure that one pipe is higher than the other so that the two pipe holes will not be opposite each other.

The chimney that is used for a stove must not be used to ventilate the cellar or basement. If there is a cleanout opening at the base of the chimney, it must be closed tight.

If the fire burns well generally, but sometimes smokes or burns slowly for no apparent reason, it may be caused by the chimney top being lower than another part of the house or a nearby tree (see Figure 5). The wind blowing over the house or a tree, falls on top of the chimney like water over a dam, beating down the smoke. The remedy is to build up the chimney or put on a smoke stack to equal the height of the main building (see Figure 6).



Right Fig. 4 Wrong



Fig. 5



Fig. 6

## MODEL NUMBER 143.343115

### HOW TO ORDER REPAIR PARTS FOR SEARS RANGE

Sears, Roebuck and Co.

Please send me by Parcel Post the following part for my soft coal  
and wood Range, Model Number 143.343115

Part No. 1034, Ash Pan

Your Name and Address \_\_\_\_\_

### ALL PRICES SUBJECT TO CHANGE WITHOUT NOTICE

All parts shown on this list and illustrated on the parts diagram on pages 2 and 4 may be ordered through any Sears retail or mail order store. Selling prices will be furnished on request or parts will be shipped at prevailing prices and you will be billed accordingly.