

**OPERATING INSTRUCTIONS
AND PARTS LIST FOR
FRANKLIN HEATER**

MODEL NUMBER

143.433

The above Model Number is the Model Number of your Heater. It will be found on a plate located on the main back at rear of heater. Always mention this Model Number in all correspondence regarding this Heater or when ordering parts.

GUARANTEE

WE GUARANTEE this Kenmore Product to be free from defects in material and workmanship and to give satisfactory service. When the Kenmore Product is installed, operated and adjusted in accordance with the instructions furnished, we will:

Repair or replace and install, at our option, without cost to you, for a period of one (1) year from date of sale, any parts or portion of this product (with the exception of porcelain enamel or other finishes), if our examination shall disclose it to be defective in material or workmanship. Porcelain enamel is glass fused to metal and is subject to damage in use if not cared for properly. If, however, a defect should appear in any finish within thirty (30) days from date of sale, such defective part will be replaced free of charge. A charge will be made for any service (mechanical adjustments) after ninety (90) days from date of sale other than for the correction of defects as stated above. Also for any service necessitated by those items listed under "Normal Responsibility of the User."

We do not authorize any person or representative to make any other guarantee or to assume for us any liability in connection with the sale of Kenmore Products other than those contained herein. Any agreement outside of, or contradictory to, the foregoing shall be void and of no effect. This Guarantee applies only to Kenmore Products owned and operated in the United States.

NORMAL RESPONSIBILITY OF THE USER

(The following items, since they are not manufacturing defects, are not included in the GUARANTEE, but are the responsibility of the User):

1. Damage to exterior or interior finish of Product after merchandise is accepted.
2. Difficulty or damage resulting from improper operation or commercial usage.
3. Over-firing cast-iron grates and linings to a red heat; ashes allowed to pile up under grates.
4. Improper chimney or stove pipe drafts.
5. Damage as a result of fire, flood or acts of God.

Service pertaining to any of the above will be at the User's expense. Only stores authorized to sell and service Kenmore Stove Products may fulfill the terms of this guarantee.

THIS IS VALUABLE. It will assure your being able to obtain proper parts service at all times. We suggest you keep it with other valuable papers.

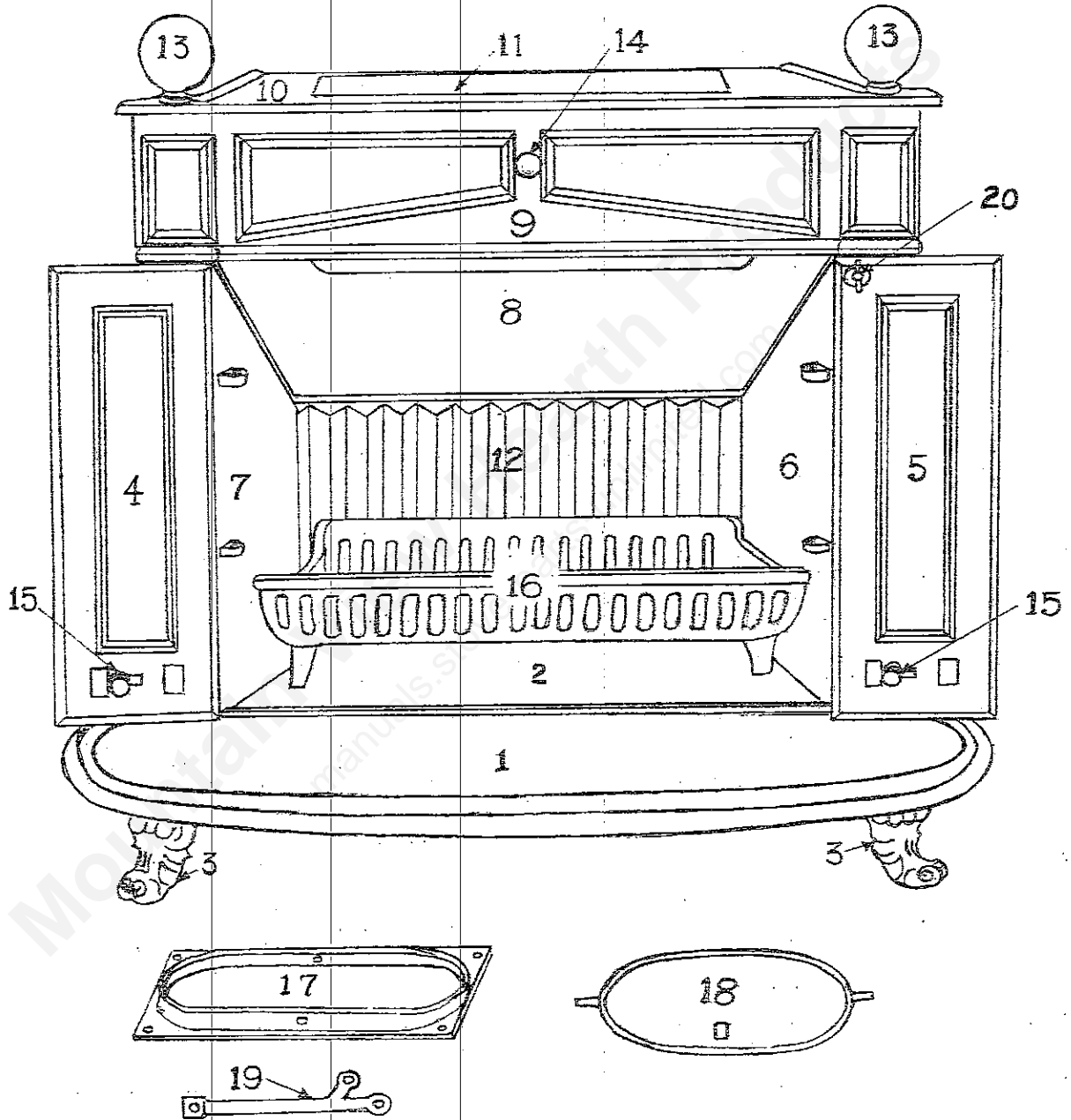
SEARS, ROEBUCK AND CO. U. S. A.

F3007

MURRAY

Printed in U. S. A.

PARTS DIAGRAM



PARTS LIST

Key No.	Part No.	Name of Part	Key No.	Part No.	Name of Part
1	3004	Hearth	14	3003	Knob, Damper Control
2	3005	Bottom	15	2999	Knob, Draft Slide (2 required)
3	3006	Leg (3 required)	16	3001	Grate Basket
4	2987	Door, Left Center	17	2995	Collar, Flue
5	2985	Door, Right Center	18	2996	Damper
6	2988	Side, Right	19	3002	Arm, Damper Control
7	2989	Side, Left	20	3000	Catch, Door (3 required)
8	2990	Baffle	*	2982	Column, Right Side
9	2991	Front, Upper	*	2983	Column, Left Side
10	2992	Top, Main	*	2984	Door, Right Outer
11	2994	Cover, Flue	*	2986	Door, Left Outer
12	2993	Back, Main	*	2998	Draft Slide (2 required)
13	2997	Knob, Ornamental, (2 required)	*		Parts Not Illustrated
			*	F3007	Customer Instructions & Parts List

OPERATING INSTRUCTIONS

CAUTION...

Do not install the Franklin heater against combustible walls or allow flues to touch or be near inflammable surfaces. Installation should conform to Underwriters' Laboratories requirements for solid fuel heaters. Also check with local authorities to conform to any particular code which applies.

TO PREPARE YOUR HEATER FOR USE...

1. Uncrate the heater and remove wire or strapping which holds doors in closed position. You will find decorative knobs and grate basket inside, along with legs. Use package of nuts and bolts to attach legs and knobs.
2. Grate basket should be placed in location shown by diagram.

OPTIONAL TOP OR REAR FLUE OUTLET...

Top: Your heater has been shipped for top flue connection. A 10 inch diameter pipe is necessary to connect by compressing to oval shape to fit collar (Key No. 17). 10 inch pipe will be available locally from sheet metal shop or tinsmith. This pipe size may be connected to 8 inch round pipe by using a reducer at the top of the first joint of outlet pipe, or by using a tapered reducing joint.

Rear: If you desire to discharge combustion products to the rear, remove cover, flue (Key No. 11) from rear of heater, and remove collar (Key No. 17) and damper (Key No. 18) from top of heater after disconnecting damper from damper arm (Key No. 19). Exchange places with these assemblies, reconnecting damper to damper arm through the bottom hole in damper arm instead of the top hole, where damper was originally connected.

OPTIONAL INSTALLATION, RECESSED IN MASONRY...

Remove legs (or do not install), and use heater as received with top outlet unless your installation requires conversion to rear outlet. Fireplace or masonry opening must be at least 30 inches wide, 27 inches high, and 13 inches deep. If you already have a chimney with a good draft, and unrestricted passage from the outlet collar, it is not necessary to connect heater to outlet pipe.

OPTIONAL INSTALLATION, RECESSED IN MASONRY contd...

All side flanges of heater permit it to be mounted flush against the rear of front surface, and bottom will sit flat against a level concrete or masonry hearth. Be sure to grout or otherwise seal all openings between heater and fireplace, or smoking can result, especially when flue pipe is not used.

FOR OUTDOOR USE...

Since the Franklin is made of cast iron, it will withstand the elements with minimum care, which will involve occasional repainting after removal of light rust. A pipe or masonry chimney for this application should be high enough to produce a satisfactory draft.

TO BUILD A FIRE...

1. Open damper by pulling damper knob outward.
2. Place paper and/or kindling upon surface of grate basket. More kindling will be necessary with coal or charcoal than with wood. Light and add fuel, carefully at first to avoid smothering fire. When initial lighting has occurred, fuel may be added in amount desired.
3. You can control rate of burning by manipulating damper knob. Slowest burning will occur when damper is closed just enough to avoid smoking. Fastest rate will occur with damper fully open.

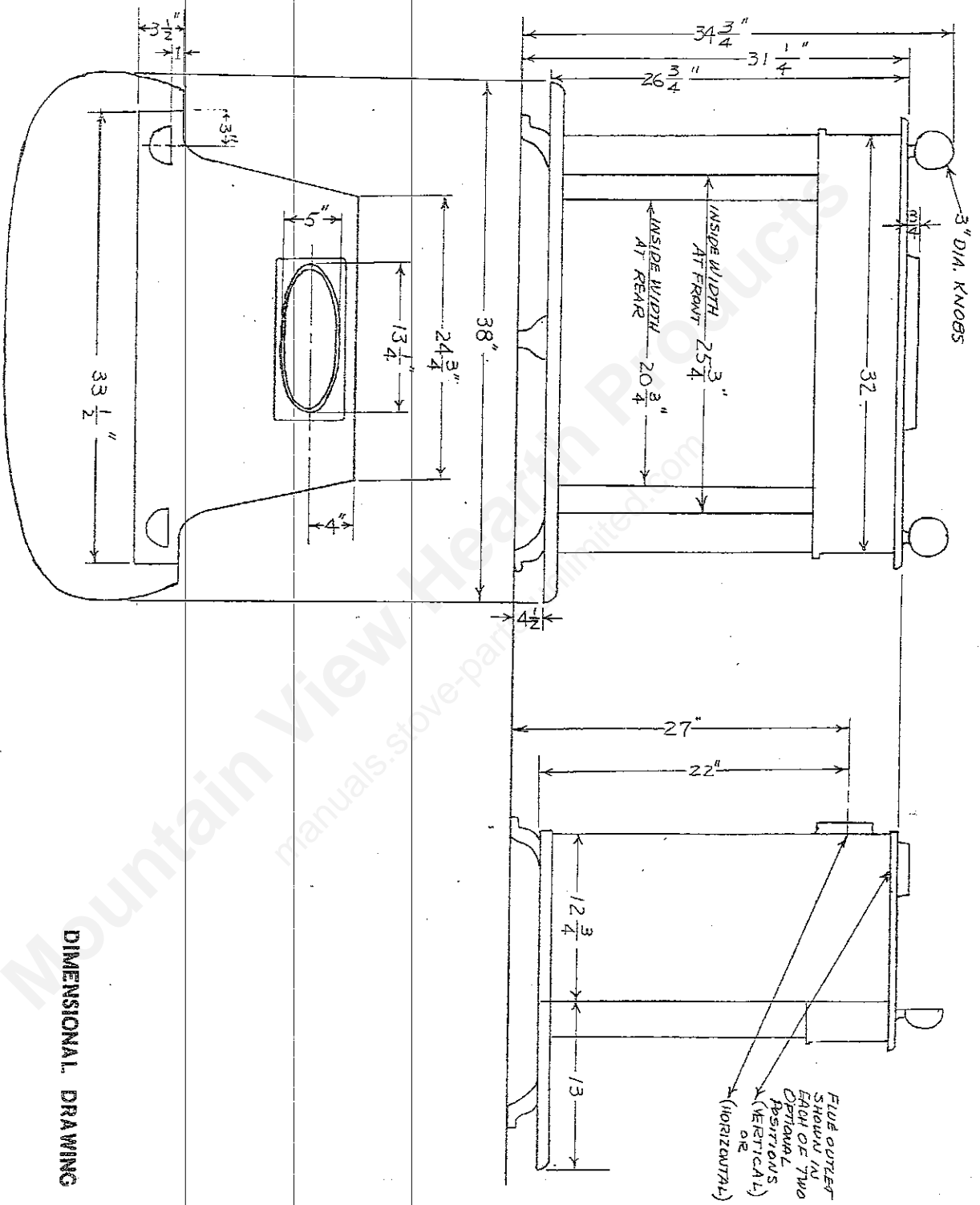
HINTS FOR BEST RESULTS...

1. Make sure chimney or smoke pipe is high enough to give sufficient draft. Use at least 10 feet of pipe. NEVER USE OUTLET LESS THAN 8 INCHES IN DIAMETER. Also, keep chimney or pipe clean inside to avoid flue blockage, or smoking will result.
2. Always pull out damper knob before lighting fire.
3. Keep ashpit section of main bottom free of ash accumulation.
4. To hold fire for a prolonged period, place logs, coal, or other fuel on fire and close front doors securely, leaving bottom draft slides in closed position. Ashes may also be heaped upon top of fire for better holding. Damper should be opened partially at least, depending upon draft from chimney. Where there is poor draft, it may be necessary to open draft slides slightly.
5. A charcoal fire can be built in grate basket for broiling or grilling food, with damper in full open position to allow smoke and grease fumes to escape. Build fire by using paper, kindling, or other conventional charcoal lighting means.
6. For maximum heating efficiency and best control of temperature, damper may be opened. Front doors are closed, and air is admitted in desired amount by use of draft slides.
7. When fire dies down, always close front doors and draft slides, since a warm flue will remove heat from living space. THIS IS ESPECIALLY IMPORTANT WHERE THE FRANKLIN HEATER IS USED AS A FIREPLACE IN HOMES WHICH HAVE OTHER PRIMARY HEATING SYSTEMS. Failure to observe this practice can result in increased bills for utilities or other fuel.

HOW TO ORDER REPAIR PARTS...

Sears, Roebuck and Co.
Please send me by Parcel Post the following part
for my Franklin heater, Model No. 143.433
Part No. 3004, Hearth
Your Name and Address _____

ALL PRICES SUBJECT TO CHANGE WITHOUT NOTICE. All parts shown on this list and illustrated on the parts diagram on page 2 may be ordered through any Sears retail or mail order store. Selling prices will be furnished on request or parts will be shipped at prevailing prices and you will be billed accordingly.



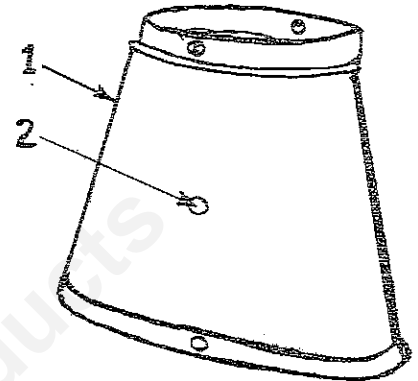
DIMENSIONAL DRAWING

(5)

ACCESSORIES FOR FRANKLIN HEATER

FLUE REDUCER (Assembled)

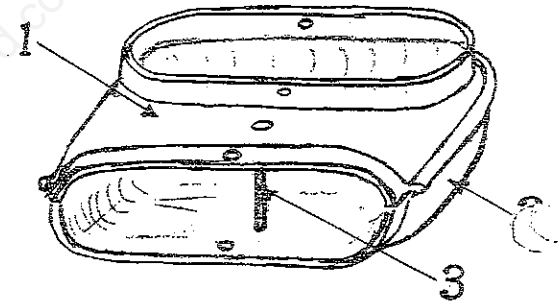
For use when 8 inch diameter smokepipe is desired. Connect directly to top of heater for vertical outlet, to rear for horizontal outlet, or use with cast iron elbow below for 8 inch outlet from either connection.



Key No.	Part No.	Name of Part
1	3008	Section, reducer half (2 required)
2	3009	Rod, Flue Reducer

CAST IRON ELBOW (Assembled)

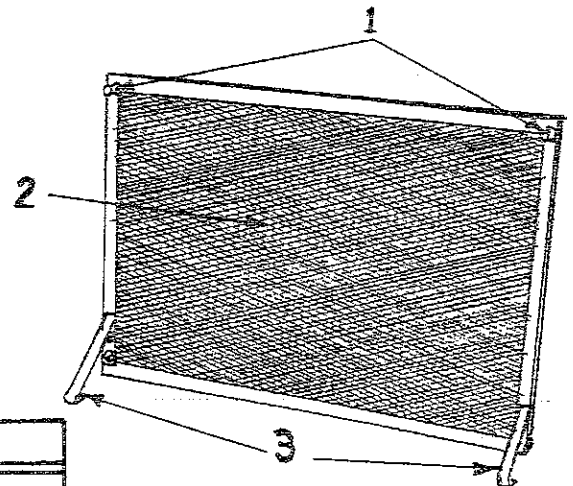
For use with 10 inch diameter smokepipe. Connect heater to horizontal outlet from top or vertical outlet from back. Flue reducer above will work with this assembly to give 8 inch outlet when desired.



Key No.	Part No.	Name of Part
1	3010	Section, Top Elbow
2	3011	Section, Bottom Elbow
3	3022	Rod, Elbow

FIREPLACE SCREEN

Screen is packaged in corrugated container, along with necessary screws and nuts for final assembly. Attach knobs (Key No. 1 in illustration), then, using 2 bolts and nuts for each, attach screen support legs as shown. When doors of Franklin heater are open, screen fits into opening, with flange at rear of bottom edge engaged over rear rib of hearth to give a recessed fitting means which leaves no openings to fire except through holes in screen. Screen will stand by itself when removed and placed on level surface.

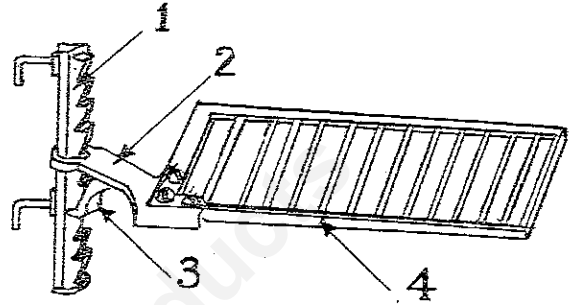


Key No.	Part No.	Name of Part
1	1001	Knob (2 required)
2	3020	Screen and Frame
3	3021	Leg, Screen Support (2 required)

ACCESSORIES FOR FRANKLIN HEATER

BARBECUE GRILL, CAST IRON

Assembly: Shipped with keys 2, 3, and 4 already assembled. After unpacking from carton, place rod hooks of key 1 into holes located inside of left side of heater (Key No. 7 in heater parts diagram). Turn key 1 facing you and place grill assembly in place as illustrated in this diagram. Assembly must go into place over top of key 1. Height of grill may be adjusted to desired level by tilting assembly slightly up from right corner and locating key 3 in proper position on one of the several ledges in key 1. Grill may be kept level at all times by loosening screw in key 2 and moving key 3 to allow grill to be level. Tighten screw securely.



Use: It is very convenient to place meat or other foods on top of grill when it is swung out over hearth of heater. Use asbestos glove or other heat resistant material to adjust grill level at any time during cooking. Do not leave grill in heater except when cooking. Grill support (key 1) may be left in position if desired, but prolonged intense heat can lead to short life of grill assembly.

Care: Wash grill assembly or brush to keep clean. Cast iron will withstand any reasonable household cleaning method and almost any cleaning material.

Key No.	Part No.	Name of Part
1	3016	Support, Grill Assembly
2	3017	Arm, Grill Assembly
3	3018	Leg, Grill Adjusting
4	3019	Grill

SMOKEPIPE AND ELBOWS, SHEET STEEL (Not illustrated)

These parts are individually packaged, 24 gauge steel, with flat black finish compatible with heater. Pipe is lock-joint, for easy assembly of smoketight seam.

Part No.	Name of Part
3012	Pipe, 10 inch diameter, 24 in. length
3013	Pipe, 8 inch diameter, 24 in. length
3014	Steel Elbow, 10 inch diameter, adjustable
3015	Steel Elbow, 8 inch diameter, adjustable