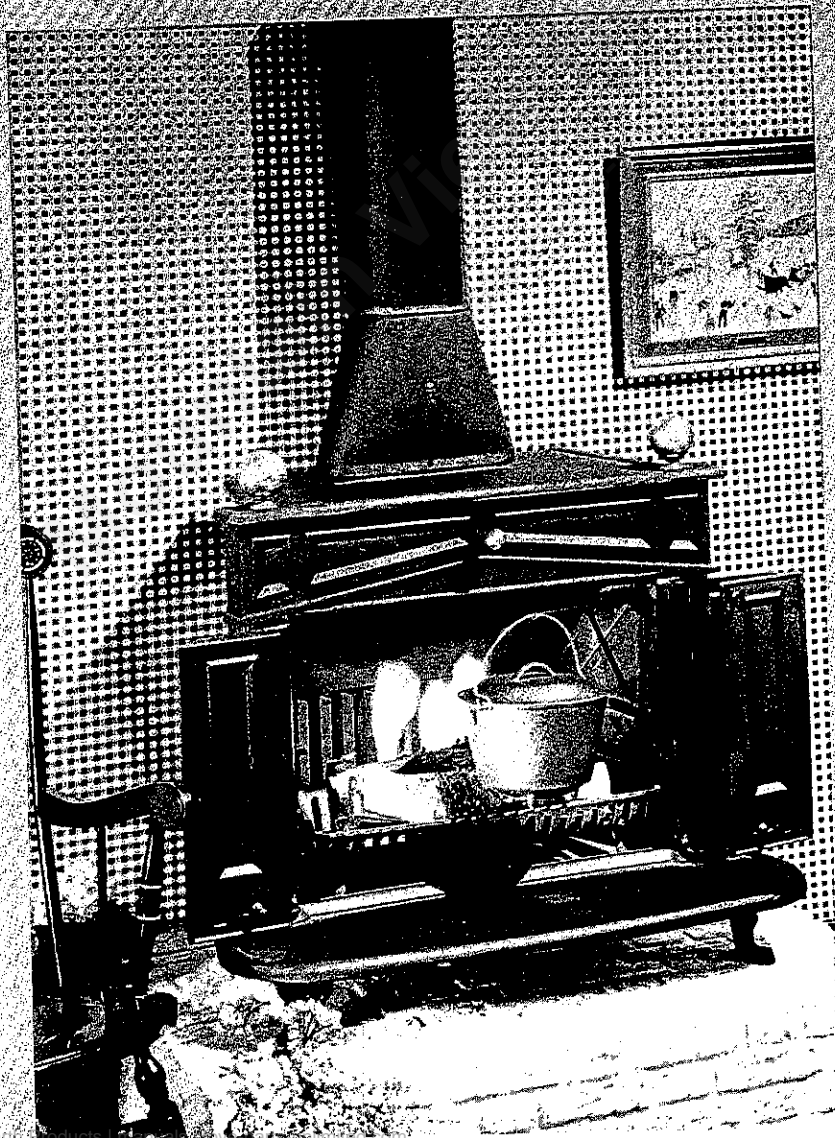
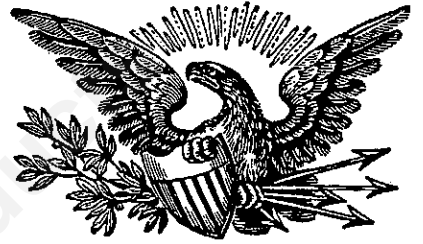
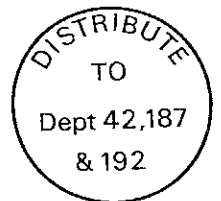


INSTALLING AND OPERATING INSTRUCTIONS WITH PARTS LIST

EARLY AMERICAN
Franklin Fireplace



MODEL NUMBER
1 4 3 . 4 3 4

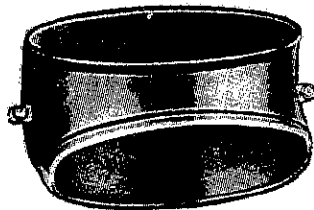


Sears

Accessories for the Franklin Fireplace



A PIPE REDUCER 42-84015



B CAST IRON ELBOW 42-84017



C 8" x 2' PIPE 42-84023



E 8" ELBOW 42-84022

D 8" COLLAR 42-84031



F CONNECTOR ADAPTOR 42-8413

A PIPE REDUCER 42-84015

For use when an 8-inch diameter smokepipe is desired. Reduces 10-inch flue opening at top of the stove to 8 inches for a vertical outlet installation . . . (this is the most popular type of use for this accessory). The reducer can also be connected to the rear vent opening for a horizontal-type outlet installation if stove stands at least 18 inches from flue. Attractive black satin-finished steel.

B CAST IRON ELBOW 42-84017

10" elbow for rear venting vertical flue applicator. Must be used in conjunction with Pipe Reducer 42-84015.

C 8" x 2' PIPE 42-84023

D 8" COLLAR 42-84031

E 8" ELBOW 42-84022

Pipe and accessories are finished in mat black, heat resistant, silicone paint to complement the Franklin. Made of heavy weight 24 gauge steel for long life.

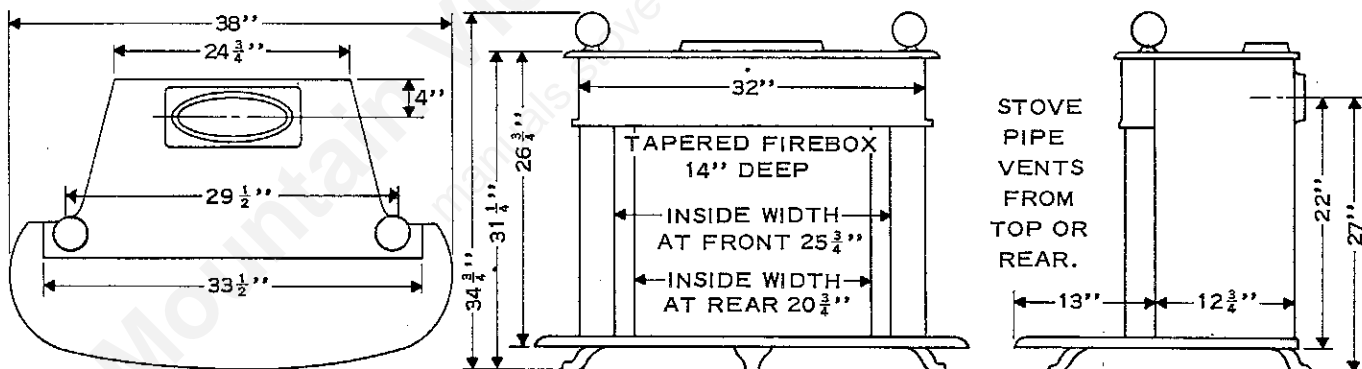
Connectors, thimbles and other parts for installation of Sears Pre-Fab chimneys are also available.

F CONNECTOR ADAPTOR 42-8413

For use with Sears Pre-fabricated Fireplace Chimney.

Dimensions of Early American Franklin

FLUE OUTLET SHOWN IN EACH OF TWO OPTIONAL POSITIONS (VERTICAL OR HORIZONTAL)



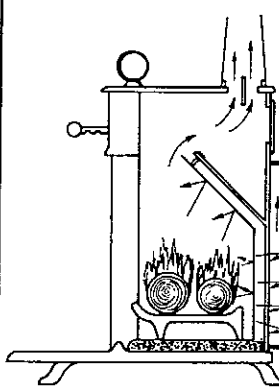
Sears Franklin Dimensions and Clearances

In most cases you will want to construct a decorative masonry wall behind your fireplace location. Where this is done, the fireplace can be installed as close as desired to the wall. If the installation is next to a combustible wall, the clearance between the back of the fireplace and the wall must be a minimum of 36".

This distance can be reduced to 18" with the use of a heat shield kit.

The fireplace must be installed on a non-combustible hearth that extends 18" from the front and 12" from each side of the fireplace.

Side clearance to combustibles must be 24".



Heat Shield Kit 42-84001

New Heat Shield Kit permits installation of Franklin close to a combustible back wall, if top venting method is used as shown. Designed and approved by Sears laboratory for installation as close as 18" from wall-paper or wood paneling. Heat reflector shields are easy to install using only a screwdriver.

Heat Shield Kit 42-84001

International Conference of Building Officials (I.C.B.O.) Approved No. 2073-1.

Installation Instructions

First, inspect each item carefully for visible damage, and refer to the last pages of this book to see that all parts or accessories ordered are included in your shipment. If parts are damaged or missing, notify the freight company *before* you make installation. Have the inspector prepare a signed report, and send us a copy of this report from the freight company. We must have a signed inspection report to prove its liability. Upon receipt of this report, we will forward replacements for damaged parts.

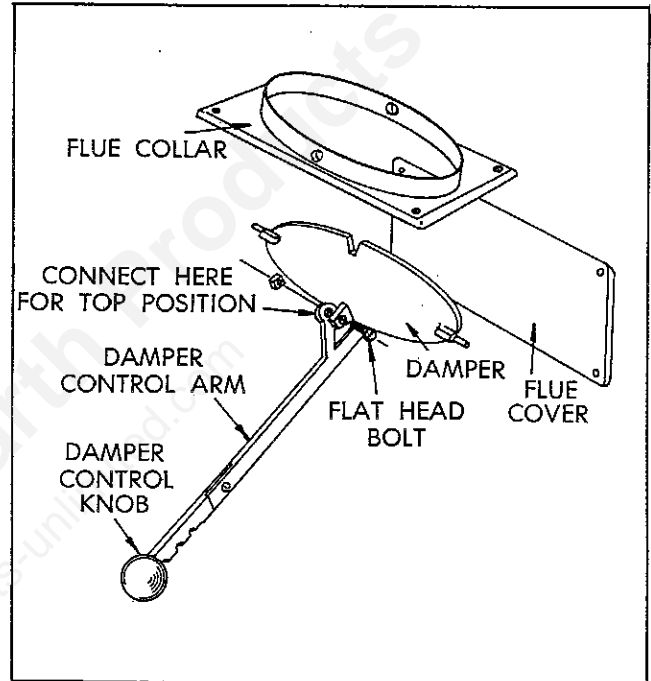
To Prepare Your Heater for Use

Uncarton heater and remove parts packed inside of heater. Tilt heater toward back and slide front legs into locking lugs. Then, tilt heater toward front and install leg in rear lugs.

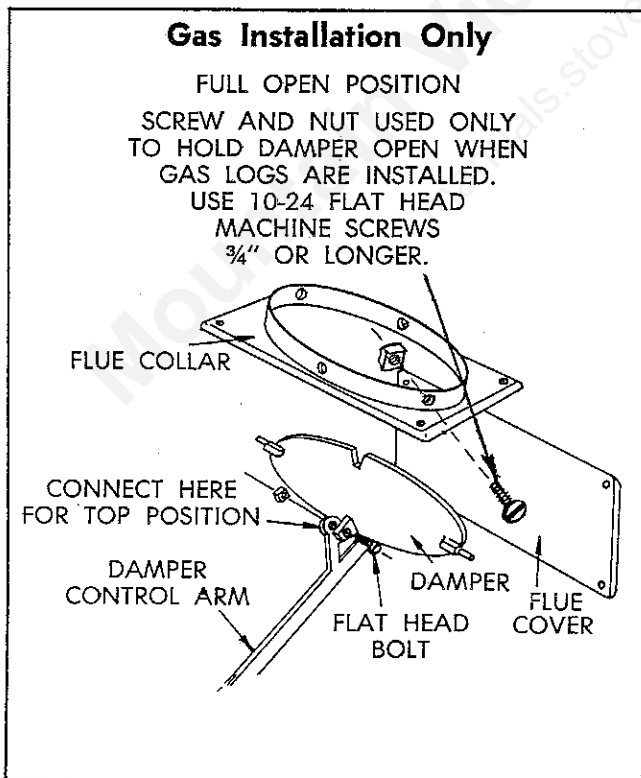
Optional Top or Rear Flue Outlet

TOP: Your Franklin has been shipped for top flue connection.

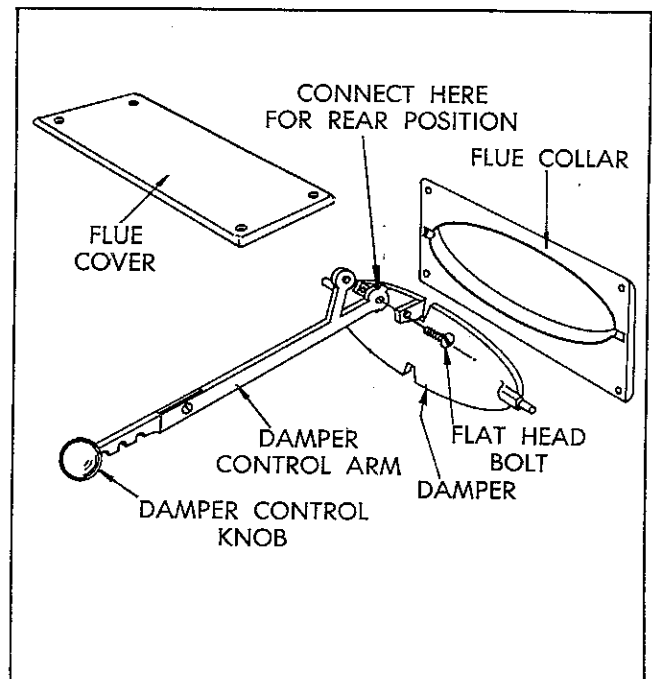
REAR: If you prefer to use the back outlet, remove flue cover from rear of heater and remove collar and damper from damper arms. Exchange places with these assemblies reconnecting damper to damper arm through the bottom hole in damper arm instead of the top hole where damper was originally connected. Use furnace cement or stove putty if necessary to assure tight sealing of cover and collar in new position.



Top Flue Connection



Locking Damper in Open Position



Rear Flue Connection

Venting . . .

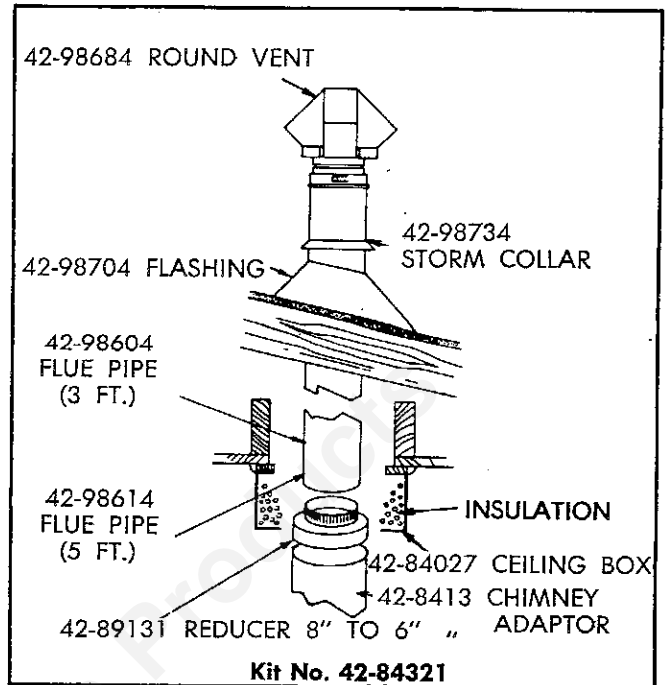
Vertical Venting Into A Sears Pre-Fabricated Fireplace Chimney

1. Place fireplace under chimney.
2. Attach pipe reducer to top flue collar.
3. Assemble necessary full lengths of fireplace pipe (8") to reach within 18" of the chimney opening.
4. Remove top section of pipe.
5. Slide number 42-8413 chimney adaptor up inside chimney.
6. Replace top section of pipe.
7. Pull chimney adaptor down over the crimped end of the top section of pipe.

Special Gas Venting

If your fireplace is *never* going to be used with anything but gas logs, the smaller, less expensive gas chimney kit shown below can be used. This kit includes a special rain cap, storm collar, flashing, double wall chimney section 3 foot long, a reducing collar, and a ceiling box. Additional lengths of flue pipe will be required to extend 30" above the roof.

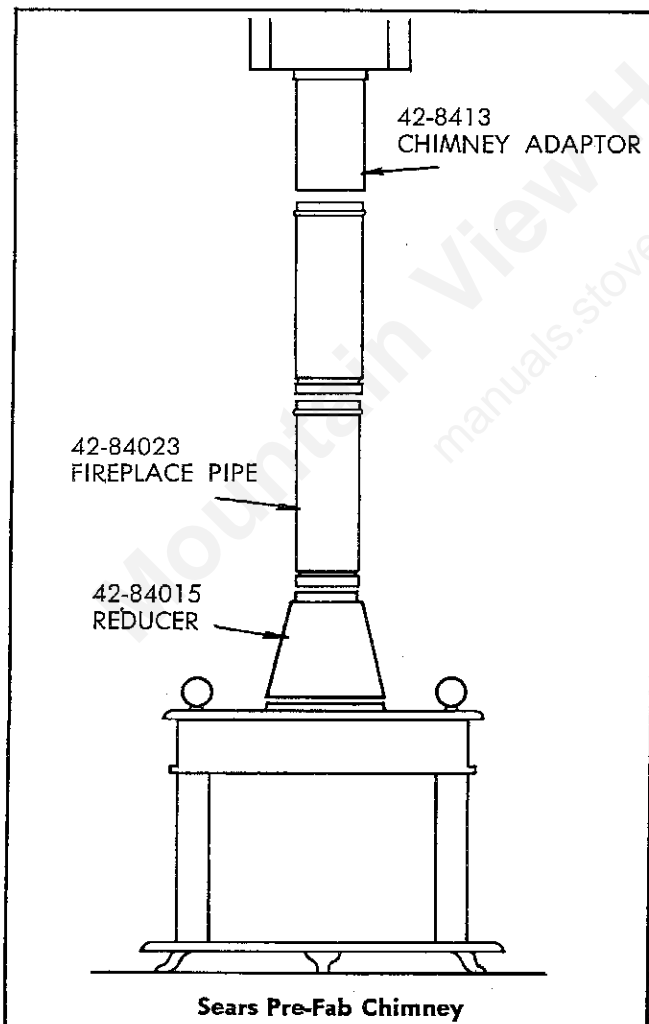
NOTE: Check local codes to be certain gas log operation is approved in your area.



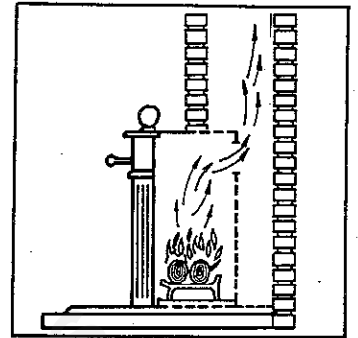
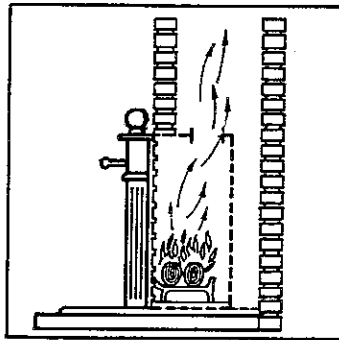
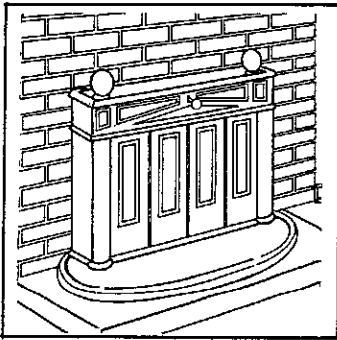
To Install Gas Only Vent Chimney

1. Cut a 14 $\frac{1}{2}$ " square hole in the ceiling between joists.
2. With a plumb bob, locate the center of the roof opening directly over the center at the ceiling opening. Cut opening in roof so a minimum of one inch clearance to insulated pipe is maintained.
3. Place fireplace and pipes in position per instructions. Measure from top of pipe to ceiling. Top of pipe must be 5" from ceiling. If not, cut top of pipe off.
4. Attach reducer to pipe with screws and place ceiling box around pipe.
5. Lower insulated pipe through roof until it fits on top of reducer. Fasten the insulated pipe to the reducer with at least 3 one inch long sheet metal screws (not furnished).
6. Place flashing around pipe on roof. Nail flashing and seal with roofing cement to roof.
7. Install storm collar and seal to flashing with roofing cement and place cap on top of flue pipe.
8. Raise ceiling box up into position, parallel to walls. Mark outside of box on ceiling.
9. Lower ceiling box and attach 1" x 2" furring strips $\frac{1}{8}$ " inside of marks. Raise box into position and screw to furring strips.
10. Fill ceiling box with glasswool or rockwool (not furnished).

On Gas installations the fireplace damper must be locked in the full open position. Use two (2) flat head store bolts $\frac{3}{4}$ " long (not furnished). Lock damper in position as shown on page 3.

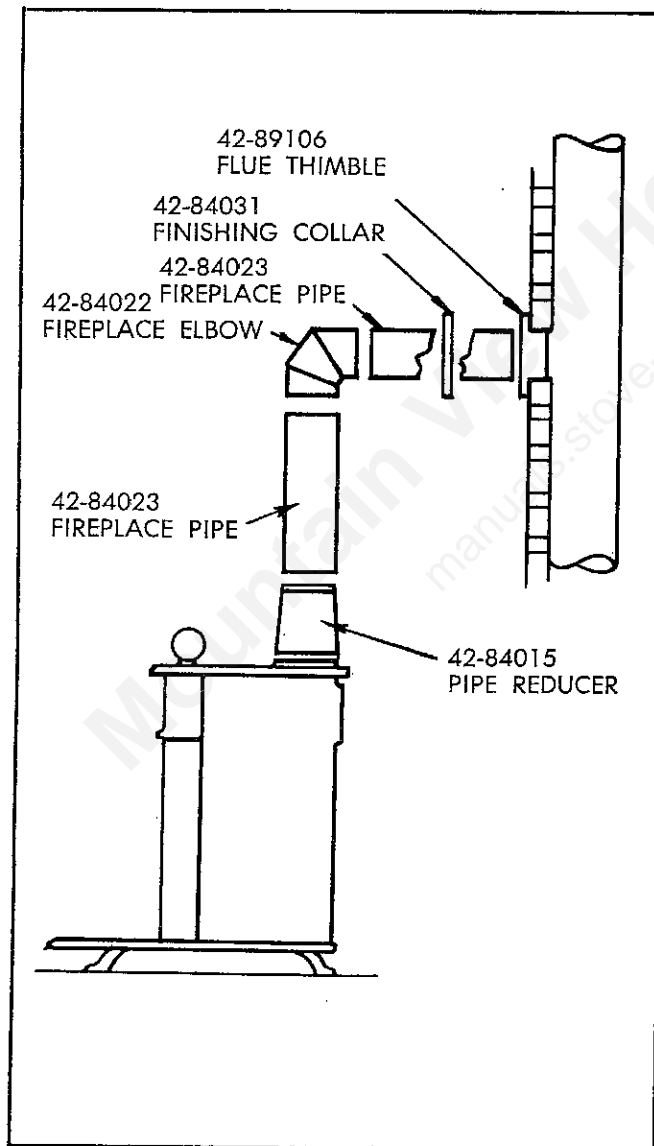


Recessing Into A Masonry Fireplace



For a novel and very attractive installation, your Franklin may be placed in an existing fireplace opening, either with or without the legs. Check the dimensions of your fireplace opening against the dimensions of the Franklin shown on page 2. If the fireplace already has sufficient draw, it will draw well with the Franklin in place. Simply slide the Franklin directly into the fireplace opening. If the fireplace opening is too wide you may reduce the size of the opening by closing in the sides with matching brick.

Venting Into Unused Flue of A Brick Chimney



You may vent into a brick chimney if the chimney isn't also used for any other fireplace or furnace. Make sure it is air tight and tall enough for good draft.

An 8" x 7" brick chimney should be at least 15 feet above the top of the Franklin. A 9" x 9" brick chimney should be 9 feet or higher.

Cement flue thimble No. 42-89106 in position and proceed with installation as shown. Use same procedure when venting into a through the wall installation of Sears Pre-Fabricated Fireplace Chimney.

NOTE: Distance between top of fireplace pipe on horizontal run and ceiling must be a minimum of 18".

Operating Franklin Fireplace

To Build A Fire

1. Open damper by pulling damper knob outward.
2. Place paper and/or kindling upon surface of grate basket. More kindling will be necessary with coal or charcoal than with wood.
3. To prevent fire from smoking on initial lighting, you can induce a draft by holding a lighted paper in the opening as near as possible to flue outlet.
4. Then, light fuel in grate and add fuel, carefully at first to avoid smothering the fire. When initial lighting has occurred, fuel may be added in amount desired.
5. You can control rate of burning by manipulating damper knob or closing front doors. Never close doors when a large fire is burning.
6. Use firescreen to prevent sparks from entering room.

Charcoal Fires

A charcoal fire can be built in grate basket for broiling or grilling food, with damper in full open position to allow smoke and grease fumes to escape. Build fire by using paper, kindling or other conventional charcoal lighting means. *Charcoal requires a constant supply of fresh air.* Leave a door or window partially open.

Hints for Best Results

1. Make sure chimney or smoke pipe is high enough to give sufficient draft. Also, keep chimney or pipe clean inside to avoid flue blockage, or smoking will result.
2. Always open damper before lighting fire.
3. Keep ashpit section of main bottom free of excess ash accumulation. Failure to do so will cause grate warpage and burn out.
4. To hold fire for a prolonged period, place logs, coal, or other fuel on fire and close front doors securely, leaving bottom draft slides in closed position. Ashes may also be heaped upon top of fire for better holding. Damper should be opened partially at least, depending upon draft from chimney. Where there is poor draft, it may be necessary to open draft slides.
5. When fire dies down, always close front doors and draft slides, since a warm flue will remove heat from living space. **THIS IS ESPECIALLY IMPORTANT WHERE THE FRANKLIN HEATER IS USED AS A FIREPLACE IN HOMES WHICH HAVE OTHER PRIMARY HEATING SYSTEMS.** Failure to observe this practice can result in increased bills for utilities or other fuel.

If Heater Smokes Check the Following

A. INCORRECT CHIMNEY

1. Chimney should extend at least 3 feet above the highest point where it passes through the roof and should be at least 2 feet higher than any portion of the building within 10 feet.
2. The chimney connected to the fireplace should have no other appliances attached to it. All unused flue openings and the clean-out door at the chimney base should be sealed.

B. TIGHTLY CONSTRUCTED HOMES

1. Homes that are tightly constructed with well fitting windows, weather stripping and storm sash minimize air infiltration. No air will move up a chimney unless air enters the room containing the fireplace. A tight house should have a fresh air intake at least as large as the flue area of the fireplace. If the intake is not in the room with the fireplace, the air must have free access to the room.
2. Ventilating fans move large volumes of air. If normal air infiltration is not great enough to satisfy the needs of a fireplace and ventilating fan, air will be drawn down the fireplace chimney creating a smoking condition. Here again, a fresh air intake is necessary.
3. In a tight house, a furnace or boiler may cause a smoking condition if air infiltration is not great enough to supply the air requirements of the fireplace and heating appliance. Here again, a fresh air intake is necessary.

C. FIRING

1. Starting a fire in a cold room tends to produce smoke while the flue is cold. When the flue warms up, the smoking should stop.
2. Fires should be built to the rear of the unit.
3. Incorrect operation of damper; when adding fuel to fire, make sure that the damper is open.
4. The use of the fire basket or andirons promotes a better fire and minimizes smoke.

D. OTHER CONDITIONS

1. Pipe inserted too far into flue opening.
2. Pipe obstructed with soot.

CAST IRON PARTS SHOULD BE "SEASONED" TO AVOID CRACKING, BY BUILDING ONLY SMALL FIRES DURING YOUR EARLY USE. NEVER BUILD EXTREMELY LARGE FIRES IN YOUR FRANKLIN.

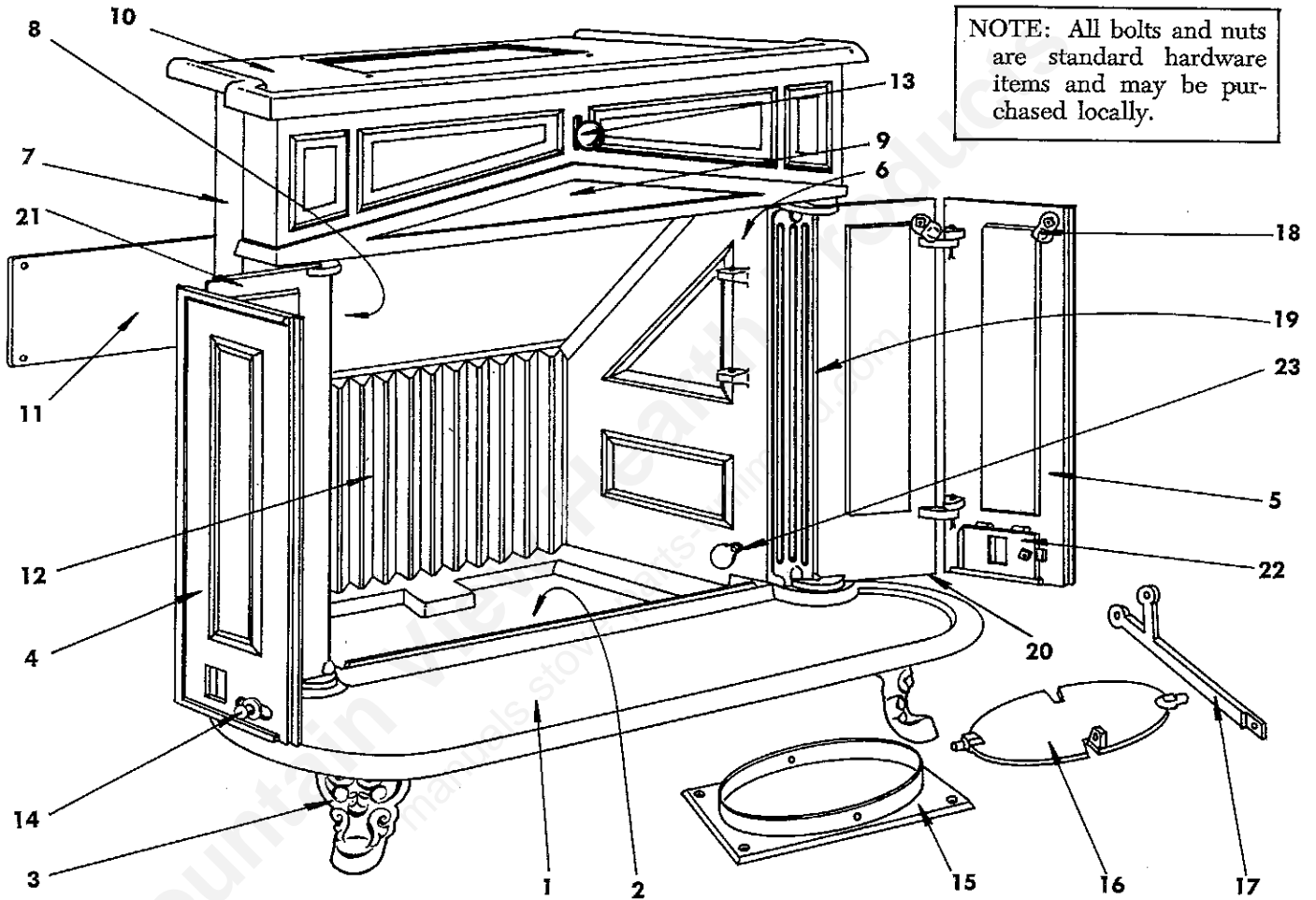
Sears

EARLY AMERICAN Franklin Fireplace

MODEL NUMBER 143.434

The above Model Number is the model number of your Heater. It will be found on a plate located on the main back at rear of heater. Always mention this Model Number in all correspondence regarding this heater or when ordering parts.

When ordering repair parts, always give the following information as shown in this list: **1.** The Part Number; **2.** The Part Name; **3.** The Model Number—143.434; **4.** The Name of Item—Franklin Fireplace. Always order by Part Number—not by Key Number.



FRANKLIN FIREPLACE PARTS LIST

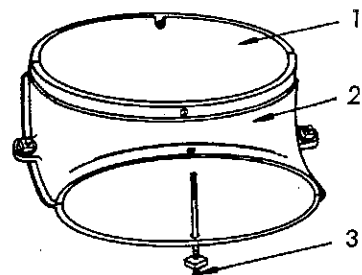
KEY NO.	PART NO.	NAME OF PART
1	3004	Hearth
2	3005	Bottom
3	3006	Leg (3 Req.)
4	2987	Door, Left Center
5	2985	Door, Right Center
6	2988	Side, Right
7	2989	Side, Left
8	2990	Baffle
9	2991	Front, Upper
10	2992	Top, Main
11	2994	Cover, Flue
12	2993	Back, Main
13	5080	Knob, Damper Control

KEY NO.	PART NO.	NAME OF PART
14	2999	Knob, Draft Slide (2 Req.)
15	2995	Collar, Flue
16	2996	Damper
17	3002	Arm, Damper Control
18	3000	Catch, Door (3 Req.)
19	2982	Column, Right Side
‡	2983	Column, Left Side
20	2984	Door, Right Outer
21	2986	Door, Left Outer
22	2998	Draft Slide (2 Req.)
23	489-1050	Cover with Bolt
‡	F642-11165	Customer Instructions & Parts List

‡ Parts Not Illustrated

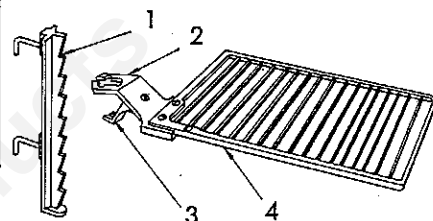
Cast Iron Elbow — No. 42-84017

KEY NO.	PART NO.	NAME OF PART
1	3010	Section, Top Elbow
2	3011	Section, Bottom Elbow
3	3012	Threaded Rod with Nut



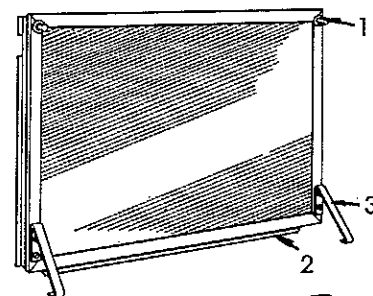
Cast Iron Barbecue Grid — No. 42-84019

KEY NO.	PART NO.	NAME OF PART
1	3016	Support, Grill Assembly
2	3017	Arm, Grill Assembly
3	3018	Leg, Grill Adjusting
4	3019	Grill



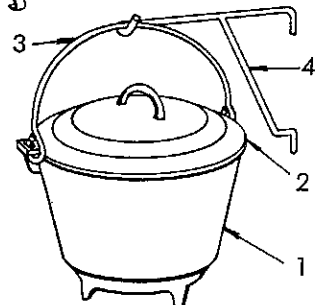
Fireplace Screen — No. 42-84021

KEY NO.	PART NO.	NAME OF PART
1	1001	Knob (2 Required)
2	3020	Screen and Frame
3	3021	Leg, Screen Support (2 Required)



Boston Bean Pot with Crane Hook — No. 42-84025

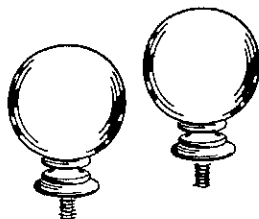
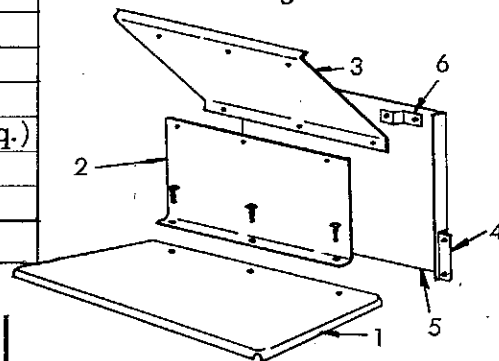
KEY NO.	PART NO.	NAME OF PART
1	3051	Pot
2	3052	Cover
3	3053	Handle
4	3054	Crane Hook



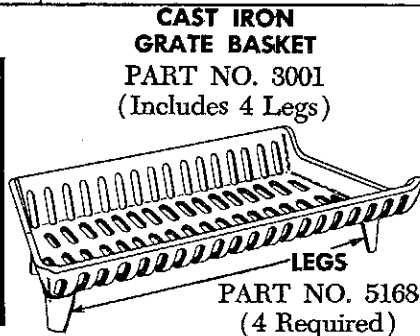
Heat Shield Kit — No. 42-84001

New Heat Shield Kit permits installation of Franklin close to a combustible back wall, if top venting method is used.

KEY NO.	PART NO.	NAME OF PART
1	5020	Bottom Baffle, with Insulation
2	5021	Inside Rear Baffle
3	5022	Top Baffle
4	5023	Side Mounting Bracket Kit (2 Req.)
5	5024	Back Baffle
6	5025	Top Mounting Bracket (2 Req.)
‡	5081	Top Baffle Bracket (2 Req.)



ORNAMENTAL KNOBS
PART NO. 5079
(2 Required)
Solid Brass



CAST IRON GRATE BASKET
PART NO. 3001
(Includes 4 Legs)

LEGS
PART NO. 5168
(4 Required)

STOVE TOUCH-UP PAINT
PART NO. 5031

One pint. Keeps cast iron looking new.

‡ Not Illustrated

THIS BOOKLET IS VALUABLE. It will assure your being able to obtain proper parts service at all times. We suggest you keep it with other valuable papers.