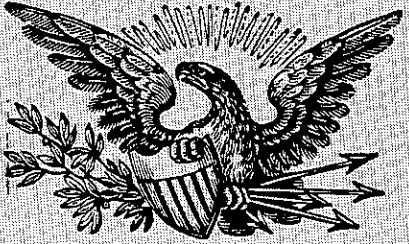


Sears

owners manual



EARLY AMERICAN
Franklin Fireplace

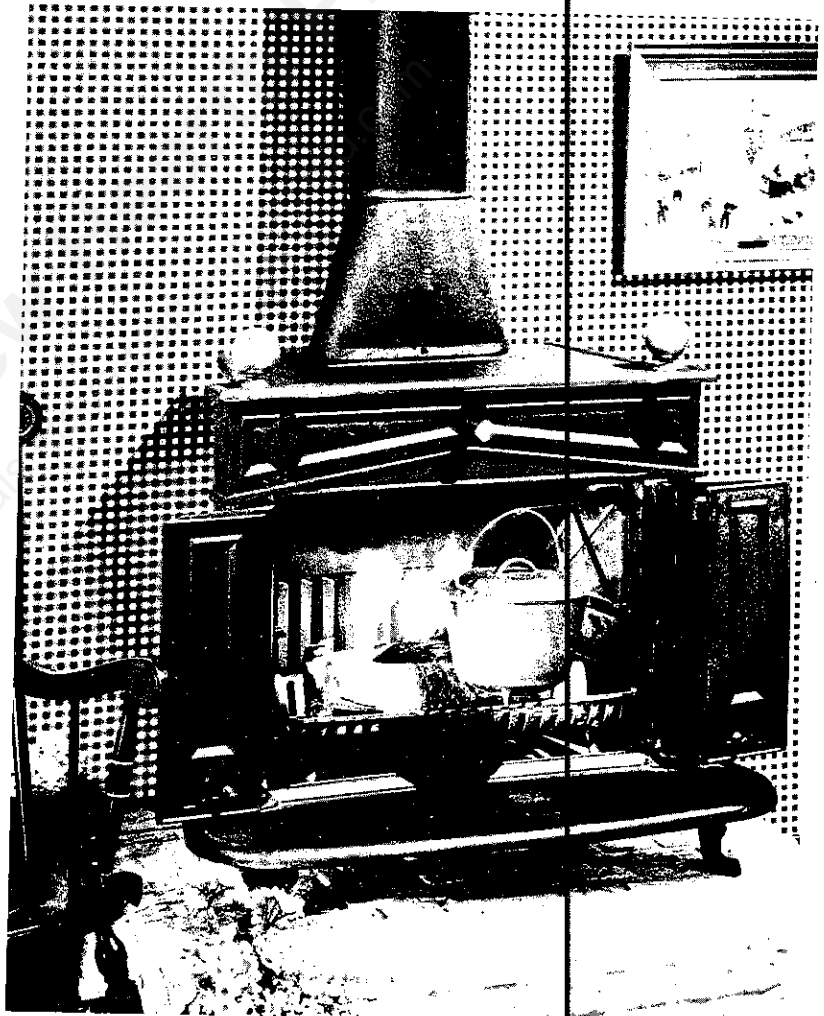
MODEL NO.

143.435

143.436

CAUTION:
Read Rules for
Safe Operation
and Instructions
Carefully

- Assembly
- Installation
- Operation
- Repair Parts



SEARS, ROEBUCK AND CO., U.S.A.

introduction

We suggest you take a few minutes to read the instructions contained in this manual before installing and using your new Franklin Fireplace. This will help you obtain the full benefits of the quality and convenience built into this equipment. This will also help you avoid any needless service expense resulting from causes beyond our control which cannot be covered by our guarantee.

(GUARANTEE)

If you want your Franklin Fireplace professionally installed, contact your Sears Salesman. He will arrange for prompt, quality Installation by Sears Authorized installers.

SEARS INSTALLATION POLICY

All installation labor arranged by Sears shall be performed in a neat, workmanlike manner in accordance with generally accepted trade practices. Further, all installations shall adhere to all local laws, codes, regulations, and ordinances. The customer shall also be protected, during installation, by insurance relating to Property Damage, Workmen's Compensation and Public Liability.

SEARS INSTALLATION GUARANTEE

In addition to any guarantee extended to you on the Sears merchandise involved, which guarantee becomes effective the date the merchandise is installed, Sears also guarantees all Sears-arranged installations, as follows: Should the workmanship prove faulty within one year, Sears will, upon notice from you, cause such defects to be corrected at no additional cost to you.

rules for safe operation

1. Make sure chimney or smoke pipe is high enough to give sufficient draft. Also, keep chimney or pipe clean inside to avoid chimney blockage, or smoking will result.
2. Always open damper before lighting fire.
3. Keep ashpit section of main bottom free of excess ash accumulation. Failure to do so will cause grate warpage and burn out.

THIS DOES NOT APPLY TO MODEL 143.436

4. To hold fire for a prolonged period, place logs, coal, or other fuel on fire and close front doors securely, leaving bottom draft slides in closed position. Ashes may also be heaped upon top of fire for better holding. Damper should be opened partially at least, depending upon draft from chimney. Where there is poor draft, it may be necessary to open draft slides.
5. When fire dies down, always close front doors and draft slides, since a warm flue will remove heat from living space. THIS IS ESPECIALLY IMPORTANT WHERE THE FRANKLIN HEATER IS USED AS A FIREPLACE IN HOMES WHICH HAVE OTHER PRIMARY HEATING SYSTEMS. Failure to observe this practice can result in increased bills for utilities or other fuel.
6. CAST IRON PARTS SHOULD BE "SEASONED" TO AVOID CRACKING, BY BUILDING ONLY SMALL FIRES DURING YOUR EARLY USE. NEVER BUILD EXTREMELY LARGE FIRES IN YOUR FRANKLIN.
7. To prevent injury do not allow anyone who is unfamiliar with the operating instructions to use fireplace.

CAUTION: Do not touch fireplace until it has been allowed to cool.

inspection

First, inspect each item carefully for visible damage, and refer to the last pages of this book to see that all parts or accessories ordered are included in your shipment. If parts are damaged or missing, notify the freight company before you make installation. Have the inspector prepare a signed report, and send us a copy of this report from the freight company. We must have a signed inspection report to prove its liability. Upon receipt of this report, we will forward replacements for damaged parts.

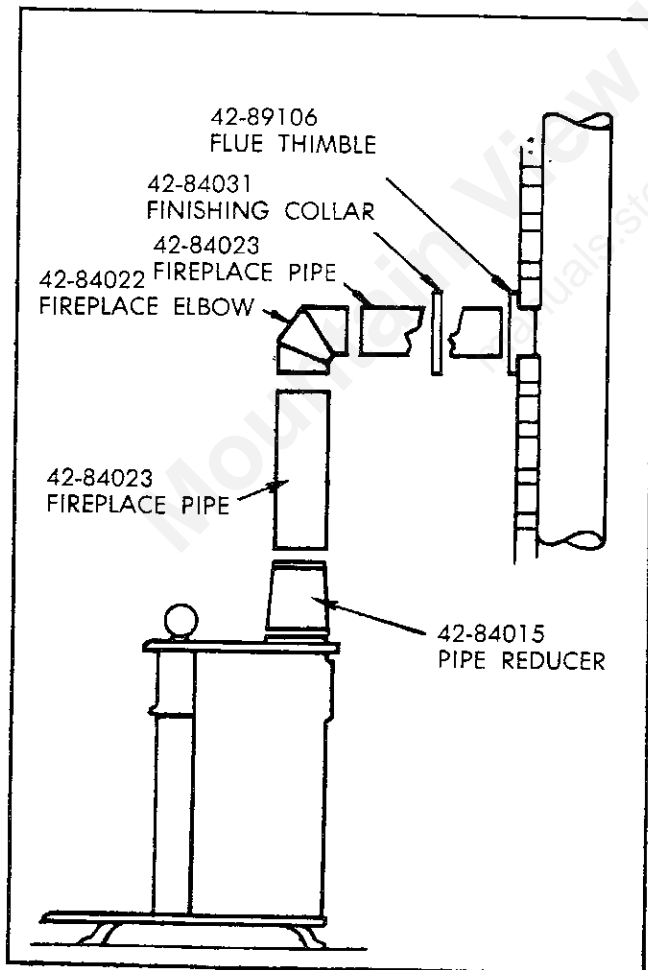
assembly & location

To Prepare Your Heater for Use

Uncarton heater and remove parts packed inside of heater. Tilt heater toward back and slide front legs into locking lugs. Then, tilt heater toward front and install leg in rear lugs.

For a novel and very attractive installation, your Franklin may be placed in an existing fireplace opening, either with or without the legs. Check the dimensions of your fireplace opening against the dimensions of the Franklin. If the fireplace already has sufficient draw, it will draw well with the Franklin in place. Simply slide the Franklin directly into the fireplace opening. If the fireplace opening is too wide you may reduce the size of the opening by closing in the sides with matching brick.

Venting Into Unused Flue of A Brick Chimney



Sears Franklin Dimensions and Clearances

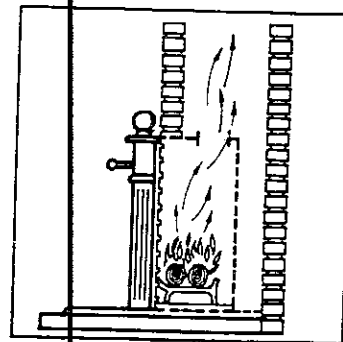
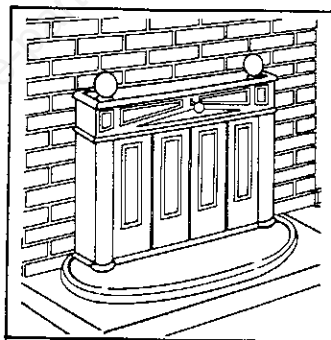
In most cases you will want to construct a decorative masonry wall behind your fireplace location. Where this is done, the fireplace can be installed as close as desired to the wall. If the installation is next to a combustible wall, the clearance between the back of the fireplace and the wall must be a minimum of 36".

This distance can be reduced to 18" with the use of a heat shield kit. 42-84001.

The fireplace must be installed on a non-combustible hearth that extends 18" from the front and 12" from each side of the fireplace.

Side clearance to combustibles must be 24".

Recessing Into A Masonry Fireplace



You may vent into a brick chimney if the chimney isn't also used for any other fireplace or furnace. Make sure it is air tight and tall enough for good draft.

An 8" x 7" brick chimney should be at least 15 feet above the top of the Franklin. A 9" x 9" brick chimney should be 9 feet or higher.

Cement flue thimble No. 42-89106 in position and proceed with installation as shown. Use same procedure when venting into a through the wall installation of Sears Pre-Fabricated Fireplace Chimney.

NOTE: Distance between top of fireplace pipe on horizontal run and ceiling must be a minimum of 18".

installation

VENTING OF YOUR FRANKLIN FIREPLACE STOVE

Vertical Venting Into A Sears

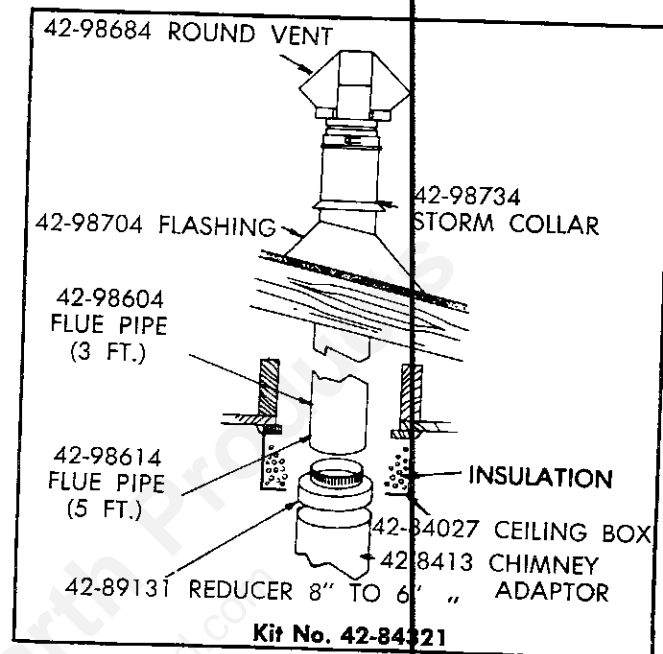
Pre-Fabricated Fireplace Chimney

1. Place fireplace under chimney.
2. Attach pipe reducer to top flue collar.
3. Assemble necessary full lengths of fireplace pipe (8") to reach within 18" of the chimney opening.
4. Remove top section of pipe.
5. Slide number 42-8413 chimney adaptor up inside chimney.
6. Replace top section of pipe.
7. Pull chimney adaptor down over the crimped end of the top section of pipe.

Special Gas Venting

If your fireplace is *never* going to be used with anything but gas logs, the smaller, less expensive gas chimney kit shown below can be used. This kit includes a special rain cap, storm collar, flashing, double wall chimney section 3 foot long, a reducing collar, and a ceiling box. Additional lengths of flue pipe will be required to extend 30" above the roof.

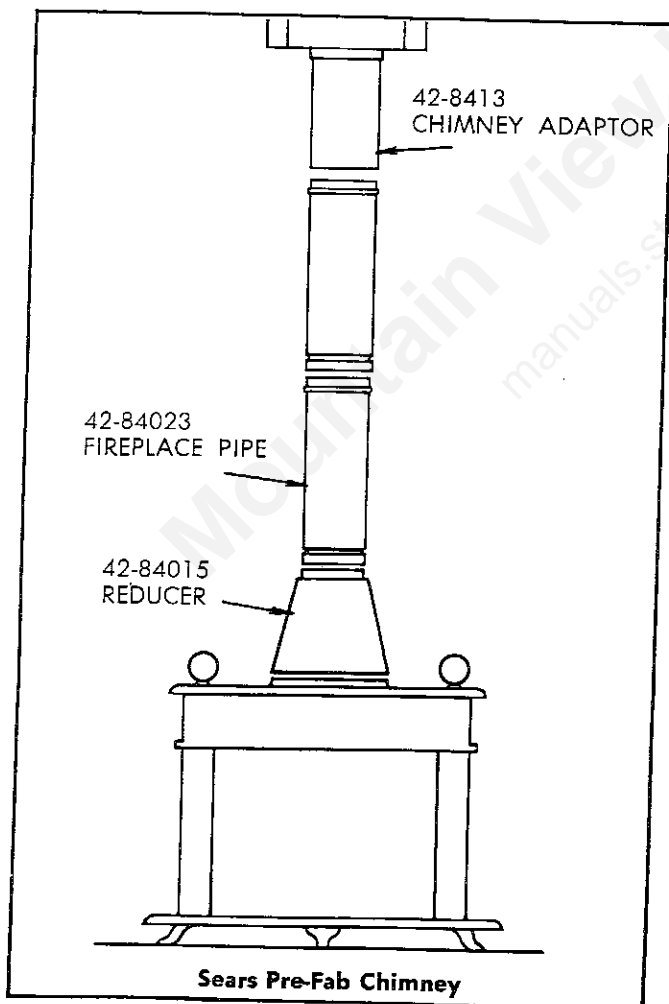
NOTE: Check local codes to be certain gas log operation is approved in your area.



To Install Gas Only Vent Chimney

1. Cut a 14 $\frac{3}{8}$ " square hole in the ceiling between joists.
2. With a plumb bob, locate the center of the roof opening directly over the center at the ceiling opening. Cut opening in roof so a minimum of one inch clearance to insulated pipe is maintained.
3. Place fireplace and pipes in position per instructions. Measure from top of pipe to ceiling. Top of pipe must be 5" from ceiling. If not, cut top of pipe off.
4. Attach reducer to pipe with screws and place ceiling box around pipe.
5. Lower insulated pipe through roof until it fits on top of reducer. Fasten the insulated pipe to the reducer with at least 3 one inch long sheet metal screws (not furnished).
6. Place flashing around pipe on roof. Nail flashing and seal with roofing cement to roof.
7. Install storm collar and seal to flashing with roofing cement and place cap on top of flue pipe.
8. Raise ceiling box up into position, parallel to walls. Mark outside of box on ceiling.
9. Lower ceiling box and attach 1" x 2" furring strips $\frac{1}{8}$ " inside of marks. Raise box into position and screw to furring strips.
10. Fill ceiling box with glasswool or rockwool (not furnished).

On Gas installations the fireplace damper must be locked in the full open position. Use two (2) flat head store bolts $\frac{3}{4}$ " long (not furnished).



operation

TO BUILD A FIRE

1. Open damper by pulling damper knob outward.
2. Place paper and/or kindling upon surface of grate basket. More kindling will be necessary with coal or charcoal than with wood.
3. To prevent fire from smoking on initial lighting, you can induce a draft by holding a lighted paper in the opening as near as possible to flue outlet.
4. Then, light fuel in grate and add fuel, carefully at first to avoid smothering the fire. When initial lighting has occurred, fuel may be added in amount desired.
5. You can control rate of burning by manipulating damper knob or closing front doors. Never close doors when a large fire is burning. MODEL 143.436 IS NOT EQUIPPED WITH DOORS.
6. Use firescreen to prevent sparks from entering room.

CHARCOAL FIRES

A charcoal fire can be built in grate basket for broiling or grilling food, with damper in full open position to allow smoke and grease fumes to escape. Build fire by using paper, kindling or other conventional charcoal lighting means. Charcoal requires a constant supply of fresh air. Leave a door or window partially open.

IF HEATER SMOKES CHECK THE FOLLOWING

A. Incorrect Chimney

1. Chimney should extend at least 3 feet above the highest point where it passes through the roof and should be at least 2 feet higher than any portion of the building within 10 feet.
2. The chimney connected to the fireplace should have no other appliances attached to it. All unused flue openings and the clean-out door at the chimney base should be sealed.

B. Tightly Constructed Homes

1. Homes that are tightly constructed with well fitting windows, weather stripping and storm sash minimize air infiltration. No air will move up a chimney unless air enters the room containing the fireplace. A tight house should have a fresh air intake at least as large as the flue area of the fireplace. If the intake is not in the room with the fireplace, the air must have free access to the room.
2. Ventilating fans move large volumes of air. If normal air infiltration is not great enough to satisfy the needs of a fireplace and ventilating fan, air will be drawn down the fireplace chimney creating a smoking condition. Here again, a fresh air intake is necessary.
3. In a tight house, a furnace or boiler may cause a smoking condition if air infiltration is not great enough to supply the air requirements of the fireplace and heating appliance. Here again, a fresh air intake is necessary.

C. Firing

1. Starting a fire in a cold room tends to produce smoke while the chimney is cold. When the chimney warms up, the smoking should stop.
2. Fires should be built to the rear of the unit.
3. Incorrect operation of damper; when adding fuel to fire, make sure that the damper is open.
4. The use of the fire basket or andiron promotes a better fire and minimizes smoke.

D. Other Conditions

1. Pipe inserted too far into chimney opening.
2. Pipe obstructed with soot.

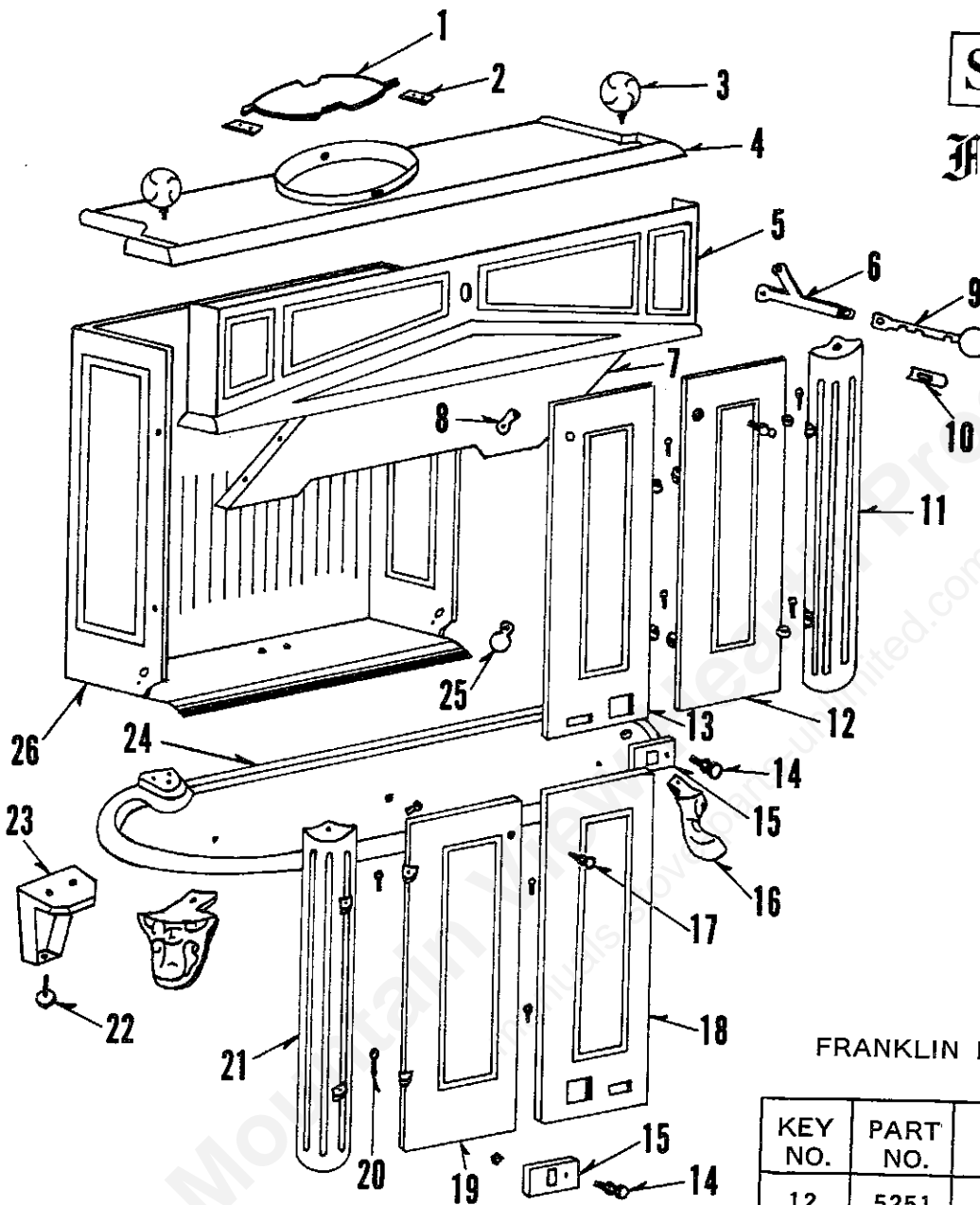
repair parts

Sears

EARLY AMERICAN

Franklin Fireplace

MODEL NUMBER 143.435



NOTE: All bolts and nuts are standard hardware items and may be purchased locally.

FRANKLIN FIREPLACE PARTS LIST

KEY NO.	PART NO.	NAME OF PART
1	2996	Damper
2	5247	Damper Lug
3	5079	Ornamental Knob (2 Req.)
4	5207	Top Main
5	2991	Upper Front
6	3002	Arm, Damper Control
7	2990	Baffle
8	3000	Catch, Door (3 Req.)
9	5080	Knob, Damper Control
10	5366	Bracket, Damper Control
11	5249	Column, Right Side

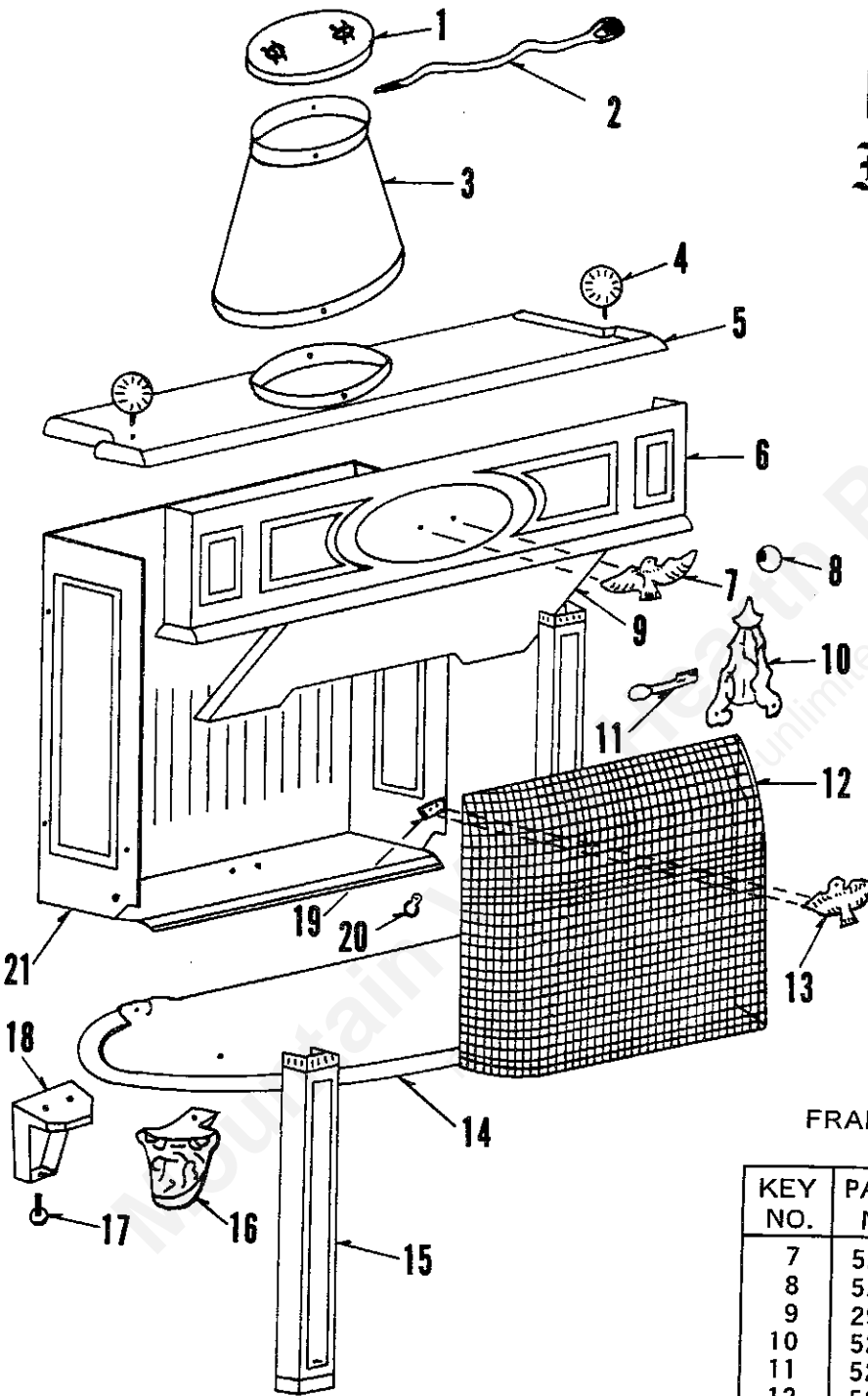
KEY NO.	PART NO.	NAME OF PART
12	5251	Door, Right Outer
13	2985	Door, Right Center
14	2999	Knob, Draft Slide
15	2998	Draft Slide (2 Req.)
16	3006	Leg (2 Req.)
17	4162	Door Handle (3 Req.)
18	2987	Door, Left Center
19	5252	Door, Left Outer
20	5357	Door, Pin
21	5050	Column, Left Side
22	5174	Leg, Leveler
23	5246	Adjustable Leg
24	3004	Hearth
25	1189	Cover with Bolt
26	5248	Back, Sides, & Bottom
*F642-8649		Instructions & Parts List

repair parts

Sears EARLY AMERICAN

Franklin Fireplace

MODEL NUMBER 143.436



NOTE: All bolts and nuts are standard hardware items and may be purchased locally.

FRANKLIN FIREPLACE PARTS LIST

KEY NO.	PART NO.	NAME OF PART
1	5253	Damper
2	5255	Knob, Damper Connector
3	5254	Reducer
4	5079	Ornamental Knob (2 Req.)
5	5207	Top, Main
6	5208	Upper Front

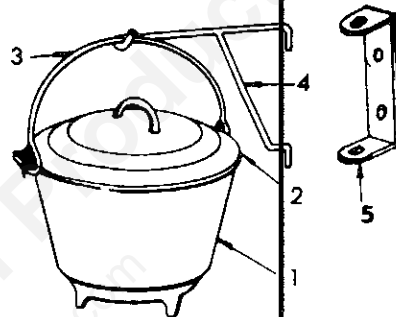
KEY NO.	PART NO.	NAME OF PART
7	5256	Brass Eagle
8	5245	Knob Andiron (2 Req.)
9	2990	Baffle
10	5244	Andiron (2 Req.)
11	5243	Leg, Andiron (2 Req.)
12	5242	Fire Screen
13	5218	Ornamental Handle
14	5210	Hearth
15	5209	Column (2 Req.)
16	3006	Leg (2 Req.)
17	5174	Leg, Leveler
18	5246	Adjustable Leg
19	5213	Handle Bracket
20	1189	Cover with Bolt
21	5248	Back, Sides, & Bottom
	*F642-8649	Instructions & Parts List

Sears Franklin Fireplace

THE FOLLOWING ITEMS ARE NOT PART OF YOUR FRANKLIN FIREPLACE,
BUT MAY BE ORDERED SEPARATELY.

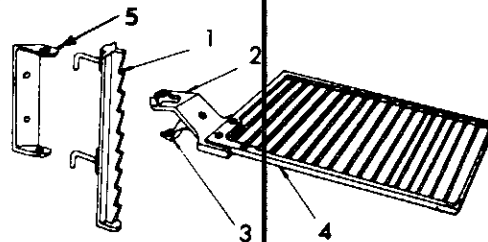
BOSTON BEAN POT WITH CRANE HOOK--No. 42-84025

Key No.	Part No.	NAME OF PART
1	3051	Pot
2	3052	Cover
3	3053	Handle
4	3054	Crane Hook
5	5257	Bracket



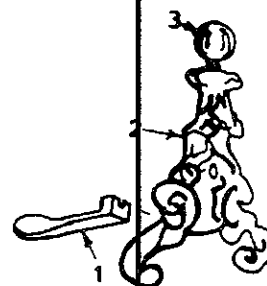
CAST IRON BARBECUE GRID--No. 42-84019

Key No.	Part No.	NAME OF PART
1	3016	Support, Grill
2	3017	Arm, Grill
3	3018	Leg, Grill Adjusting
4	3019	Grill
5	5257	Bracket

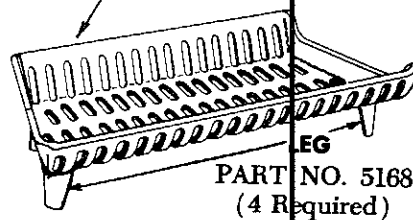


ANDIRONS--No. 42-84072 Set of Two

Key No.	Part No.	NAME OF PART
1	5243	Leg
2	5244	Andiron
3	5245	Knob, Andiron



CAST IRON GRATE BASKET--No. 42-84028 PART NO. 3001



PART NO. 5168
(4 Required)

STOVE TOUCH-UP PAINT PART NO. 5031

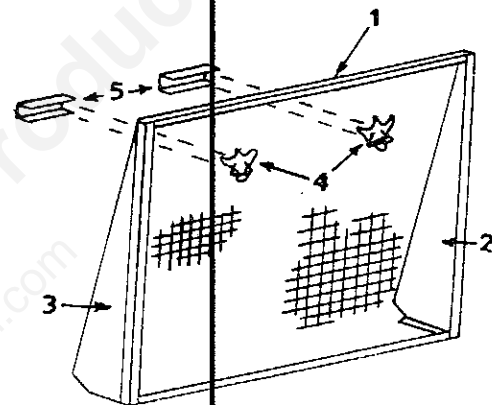
One pint. Keeps cast iron looking new.

Sears Franklin Fireplace

THE FOLLOWING ITEMS ARE NOT PART OF YOUR FRANKLIN FIREPLACE,
BUT MAY BE ORDERED SEPARATELY.

FIREPLACE SCREEN – No. 42-84021

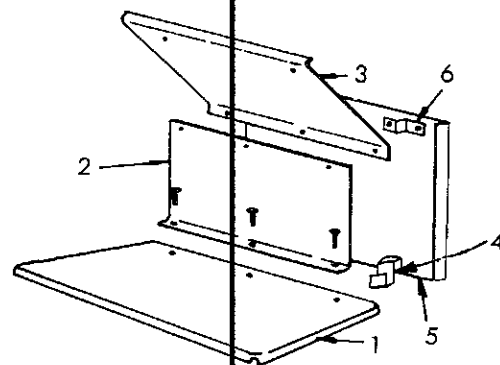
KEY NO.	PART NO.	NAME OF PART
1	5211	Screen
2	5212	Leg, Right
3	5215	Leg, Left
4	5213	Handle, Ornamental
5	5218	Handle, Bracket



HEAT SHIELD KIT – No. 42-84001

New Heat Shield Kit permits installation of Franklin close to a combustible back wall, if top venting method is used.

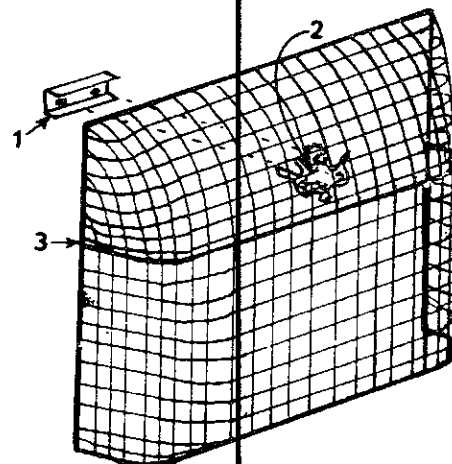
KEY NO.	PART NO.	NAME OF PART
1	5020	Bottom Baffle, with Insulation
2	5021	Inside Rear Baffle
3	5022	Top Baffle
4	5258	Bottom Bracket (2 required)
5	5024	Back Baffle
6	5025	Top Mounting Bracket (2 required)
*	5081	Top Baffle Bracket (2 required)



* Not Illustrated

PARLOR SCREEN – No. 42-84071

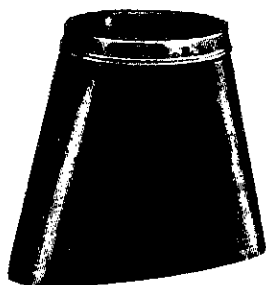
KEY NO.	PART NO.	NAME OF PART
1	5213	Handle Bracket
2	5218	Handle, Ornamental
3	5242	Basket Screen



Sears

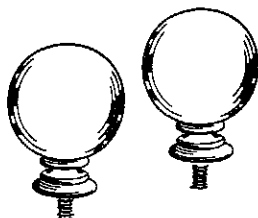
Franklin Fireplace

THE FOLLOWING ITEMS ARE NOT PART OF YOUR FRANKLIN FIREPLACE
BUT MAY BE ORDERED SEPARATELY.



PIPE REDUCER 42-84015

For use when an 8-inch diameter smokepipe is desired. Reduces 10-inch flue opening at top of the stove to 8 inches for a vertical outlet installation . . . (this is the most popular type of use for this accessory). The reducer can also be connected to the rear vent opening for a horizontal-type outlet installation if stove stands at least 18 inches from flue. Attractive black satin-finished steel.



**ORNAMENTAL
KNOB**

No. 42-8429
Set of Two
Brass



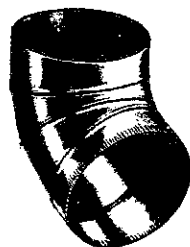
8" x 2' PIPE 42-84023



CONNECTOR ADAPTOR 42-8413



8" COLLAR 42-84031



8" ELBOW 42-84022

Pipe and accessories are finished in mat black, heat resistant, silicone paint to complement the Franklin. Made of heavy weight 24 gauge steel for long life.

Connectors, thimbles and other parts for installation of Sears Pre-Fab chimneys are also available.

Sears

owners manual

EARLY AMERICAN
Franklin Fireplace

MODEL NUMBER

143.435

143.436

HOW TO ORDER REPAIR PARTS

**SEARS SERVICE
IS AT YOUR SERVICE
WHEREVER YOU LIVE OR MOVE
IN THE U.S.A.**

The Model Number will be found on a plate mounted on the back of the stove. Always mention the Model Number when requesting service or repair parts for your Franklin Stove.

All parts listed herein may be ordered through SEARS, ROEBUCK AND CO. When ordering parts by mail, selling prices will be furnished on request or parts will be shipped at prevailing prices and you will be billed accordingly.

WHEN ORDERING REPAIR PARTS, ALWAYS GIVE THE FOLLOWING INFORMATION AS SHOWN IN THIS LIST:

1. The PART NUMBER
2. The PART DESCRIPTION
3. The MODEL NUMBER
4. The NAME of ITEM

Your Sears merchandise takes on added value when you discover that Sears has over 2,000 Service Units throughout the country. Each is staffed by Sears-trained professional technicians using Sears approved parts and methods.

SEARS, ROEBUCK AND CO. U.S.A.