

Sears

owners manual



EARLY AMERICAN

Franklin Fireplace

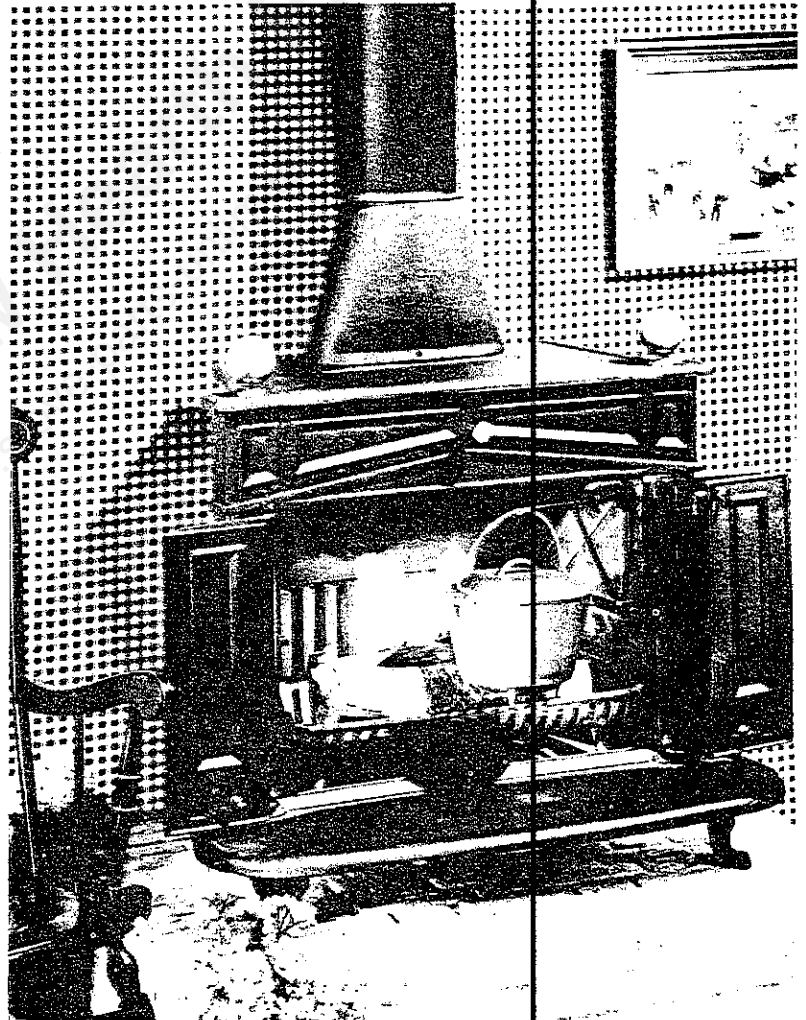
MODEL NO.

143.435

143.842030

CAUTION:
Read Rules for
Safe Operation
and Instructions
Carefully

- Assembly
- Installation
- Operation
- Repair Parts



Mountain View Hearth Products
manuals.stove-parts-unlimited.com

introduction

We suggest you take a few minutes to read the instructions contained in this manual before installing and using your new FRANKLIN FIREPLACE. This will help you obtain the full benefits of the quality and convenience built into this equipment. This will also help you avoid any needless service expense resulting from causes beyond our control.

If you want your FRANKLIN FIREPLACE professionally installed, contact your SEARS SALESMAN. HE will arrange for prompt, quality installation by SEARS AUTHORIZED INSTALLERS.

SEARS INSTALLATION POLICY

All installation labor arranged by SEARS shall be performed in a neat, workmanlike manner in accordance with generally accepted trade practices. Further, all installations shall adhere to all local laws, codes, regulations, and ordinances. The customer shall also be protected, during installation, by insurance relating to property damage, workmen's compensation and public liability.

SEARS INSTALLATION GUARANTEE

In addition to any guarantee extended to you on SEARS merchandise involved, which guarantee becomes effective the date the merchandise is installed, SEARS also guarantees all SEARS - arranged installations, as follows: Should the workmanship prove faulty within one year, SEARS will, upon notice from you, cause such defects to be corrected at no additional cost to you.

rules for safe operation

1. Read the Owner's Manual and the Rules for Safe Operation carefully. Failure to follow these rules and the instructions could cause malfunction of the fireplace and result in death, serious bodily injury, and/or property damage.
2. Check your local code requirements before installation. The installation must be in accordance with their directives.
3. Always connect this fireplace to a chimney and vent to the outside. Never vent to another room or inside a building.
4. Make sure chimney is high enough to give sufficient draft. Also, keep chimney and pipe clear inside to avoid blockage, or smoking will result.
5. Always open damper before lighting fire.
6. Keep ashpit section of main bottom free of excess ash accumulation. Failure to do so will cause grate warpage and burn out.
7. To hold fire for a prolonged period, place logs, coal, or other fuel on fire and close front doors securely, leaving bottom draft slides in closed position. Ashes may also be heaped upon top of fire for better holding. Damper should be opened partially at least, depending upon draft from chimney. Where there is poor draft, it may be necessary to open draft slides in the door.
8. When fire dies down, always close front doors and draft slides, since a warm flue will remove heat from living space. THIS IS ESPECIALLY IMPORTANT WHERE THE FRANKLIN FIREPLACE IS USED AS A FIREPLACE IN HOMES WHICH HAVE OTHER PRIMARY HEATING SYSTEMS. Failure to observe this practice can result in increased fuel bills.
9. CAST IRON PARTS SHOULD BE "SEASONED" TO AVOID CRACKING, BY BUILDING ONLY SMALL FIRES DURING YOUR EARLY USE. NEVER BUILD EXTREMELY LARGE FIRES IN YOUR FRANKLIN.
10. To prevent injury do not allow anyone who is unfamiliar with the operating instructions to use fireplace.

CAUTION: Do not touch fireplace until it has been allowed to cool.

installation

To Prepare Your Franklin Fireplace for Use

Uncrate Fireplace and remove parts packed inside of Fireplace. Tilt Fireplace toward back and slide front legs into locking lugs. Then, tilt Fireplace toward front and install leg in rear with bolts supplied.

For a novel and very attractive installation, your Franklin may be placed in an existing fireplace opening, either with or without the legs. Check the dimensions of your fireplace opening against the dimensions of the Franklin. If the fireplace already has sufficient draw, it will draw well with the Franklin in place. Simply slide the Franklin directly into the fireplace opening. If the fireplace opening is too wide you may reduce the size of the opening by closing in the sides with matching brick. (Figs. 1 & 2)

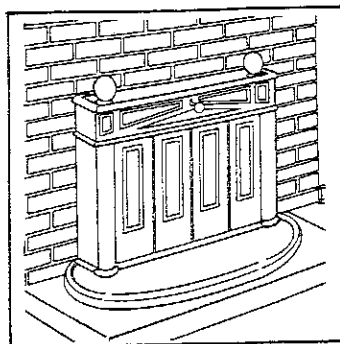


Fig. 1

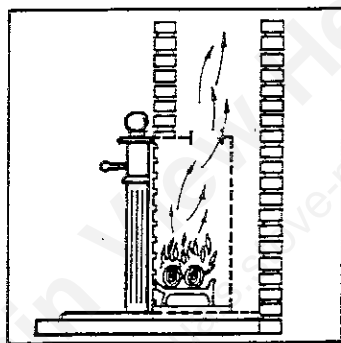


Fig. 2

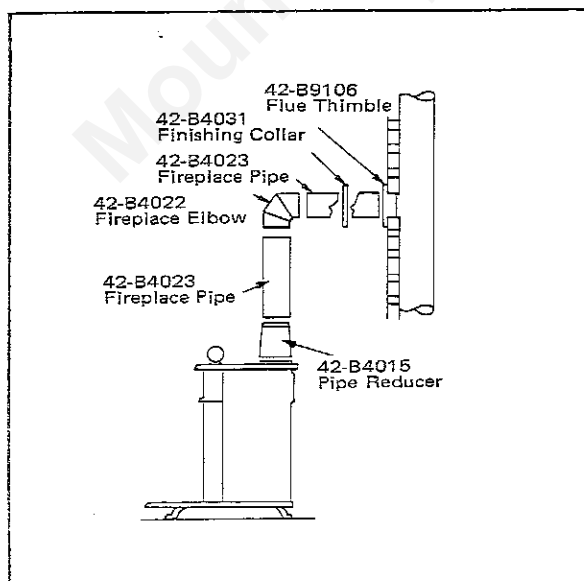


Fig. 3

Franklin Fireplace Dimensions and Clearances

You may want to construct a decorative masonry wall behind your fireplace location. Where this is done, the fireplace can be installed as close as desired to the wall. If the installation is next to a combustible wall, the clearance between the back of the fireplace and the wall must be a minimum of 36". (Fig. 4)

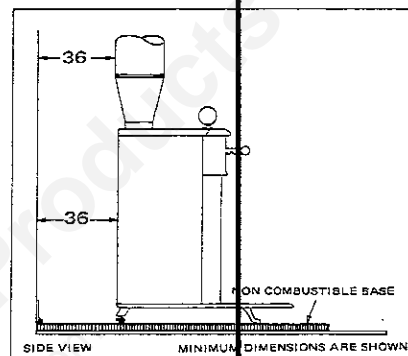


Fig. 4

The fireplace must be installed on a non-combustible hearth that extends 18" from the front and 12" from each side of the fireplace. (Fig. 5)

Side clearance to combustibles must be 24".

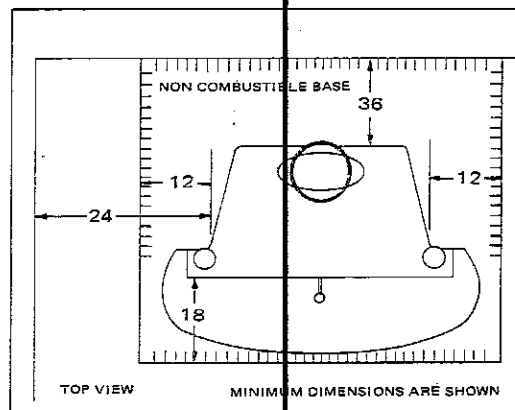


Fig. 5

Heat Shield Kit Stock No. 42-84001 (For Model 143.435 Only) May Be Installed To Reduce The Required Clearances To Combustible Surfaces. (Fig. 5A)

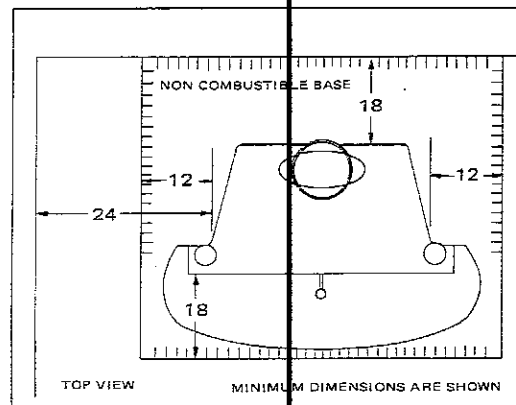


Fig. 5A (Model 143.435 Only)

installation

Sears offers a How To Install booklet for Fireplaces and All-Fuel Chimney Kits for the do-it-yourself installer. Order Catalog No. 39K-7478 or ask for it at the Plumbing and Heating Department in your retail store.

National Fire Protection Association codes prohibit the installation of wood burning fireplaces with aluminum Type B gas vent. This fireplace requires a stainless steel Class "A" all-fuel chimney **even if gas logs are used.**

All Sears fireplaces must have a chimney of at least 8 inches inside diameter.

Condensation Note

In cold climates warm, moist house air escaping through the fireplace damper can cause condensation to form on the cold, inside walls of a metal chimney. This can cause water to drip into the fireplace. This occurs when the fireplace **is not in use.**

Metal prefabricated chimneys, available at a fraction of the cost of masonry chimneys, perform satisfactorily if properly installed. The following precautions must be observed:

1. Make all chimney sections absolutely vertical. Do not allow any pipe or chimney sections to be cocked off of vertical.
2. This Franklin fireplace has a "damper seat" cast into the main top. There is a provision for adjustment of the damper "seating" in the damper control are (Key nos. 6, 9, 10). Adjust damper to positively "seat" when closed.
3. The installation shown in figure 6 is designed to avoid the problem of condensation. The elbow to outside offsets the chimney and any condensation stays outside the house.

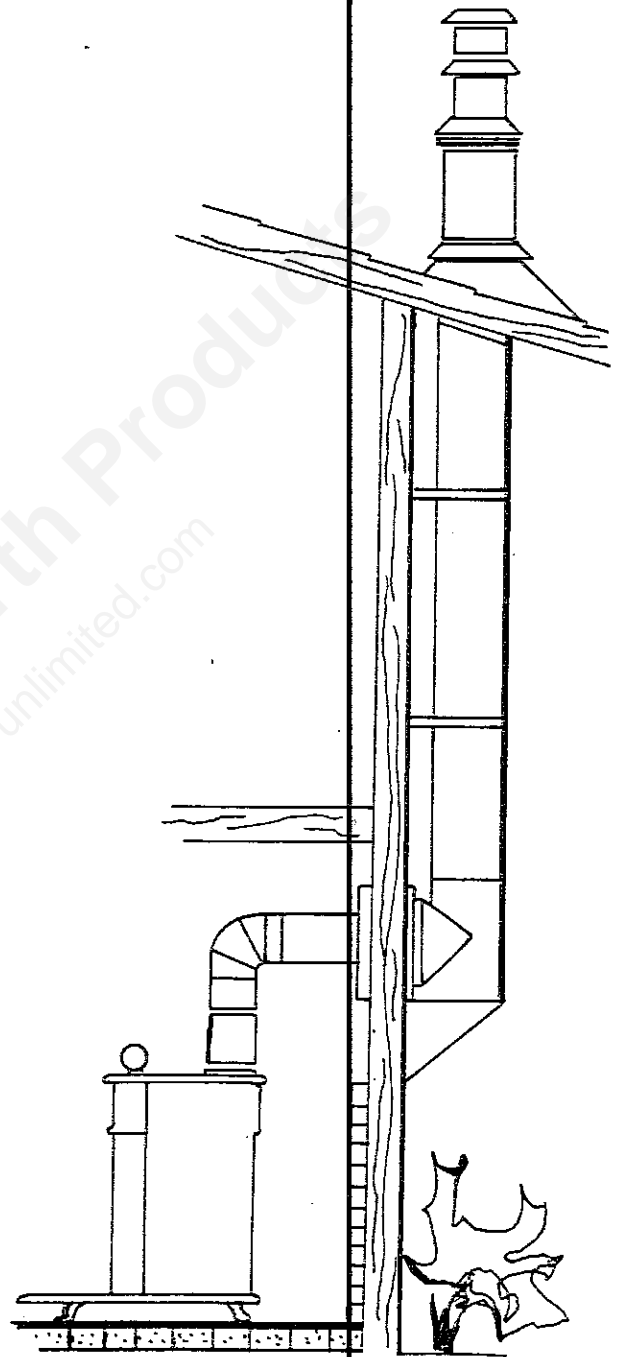


Fig. 6

operation

TO BUILD A FIRE

1. Open damper by pulling damper knob outward.
2. Place paper and/or kindling upon surface of grate basket. More kindling will be necessary with coal or charcoal than with wood.
3. To prevent fire from smoking on initial lighting, you can induce a draft by holding a lighted paper in the opening as near as possible to flue outlet.
4. Then, light fuel in grate and add fuel, carefully at first to avoid smothering the fire. When initial lighting has occurred, fuel may be added in amount desired.
5. You can control rate of burning by manipulating damper knob or closing front doors. Never close doors when a large fire is burning.
6. Use firescreen to prevent sparks from entering room.

CHARCOAL FIRES

A charcoal fire can be built in grate basket for broiling or grilling food, WITH DAMPER IN FULL OPEN POSITION to allow smoke, grease and fumes to escape. Build fire by using paper, kindling or other conventional charcoal lighting means. Charcoal requires a constant supply of fresh air. Leave a door or window partially open.

IF FIREPLACE SMOKES CHECK THE FOLLOWING

A. Incorrect Chimney

1. Chimney should extend at least 3 feet above the highest point where it passes through the roof and should be at least 2 feet higher than any portion of the building within 10 feet.
2. The chimney connected to the fireplace should have no other appliances attached to it. All unused flue openings and the clean-out door at the chimney base should be sealed.
3. The draft or "drawing" of the fireplace is altogether dependent on the chimney. A chimney must be high enough and warm enough to provide draft. Adding more, triple-wall or insulated pipe should improve draft.

B. Tightly Constructed Homes

1. Homes that are tightly constructed with well fitting windows, weather stripping and storm sash minimize air infiltration. No air will move up a chimney unless air enters the room containing the fireplace. A tight house should have a fresh air intake at least as large as the flue area of the fireplace. If the intake is not in the room with the fireplace, the air must have free access to the room.
2. Ventilating fans move large volumes of air. If normal air infiltration is not great enough to satisfy the needs of a fireplace and ventilating fan, air will be drawn down the fireplace chimney creating a smoking condition. Here again, a fresh air intake is necessary.
3. In a tight house, a furnace or boiler may cause a smoking condition if air infiltration is not great enough to supply the air requirements of the fireplace and heating appliance. Here again, a fresh air intake is necessary.

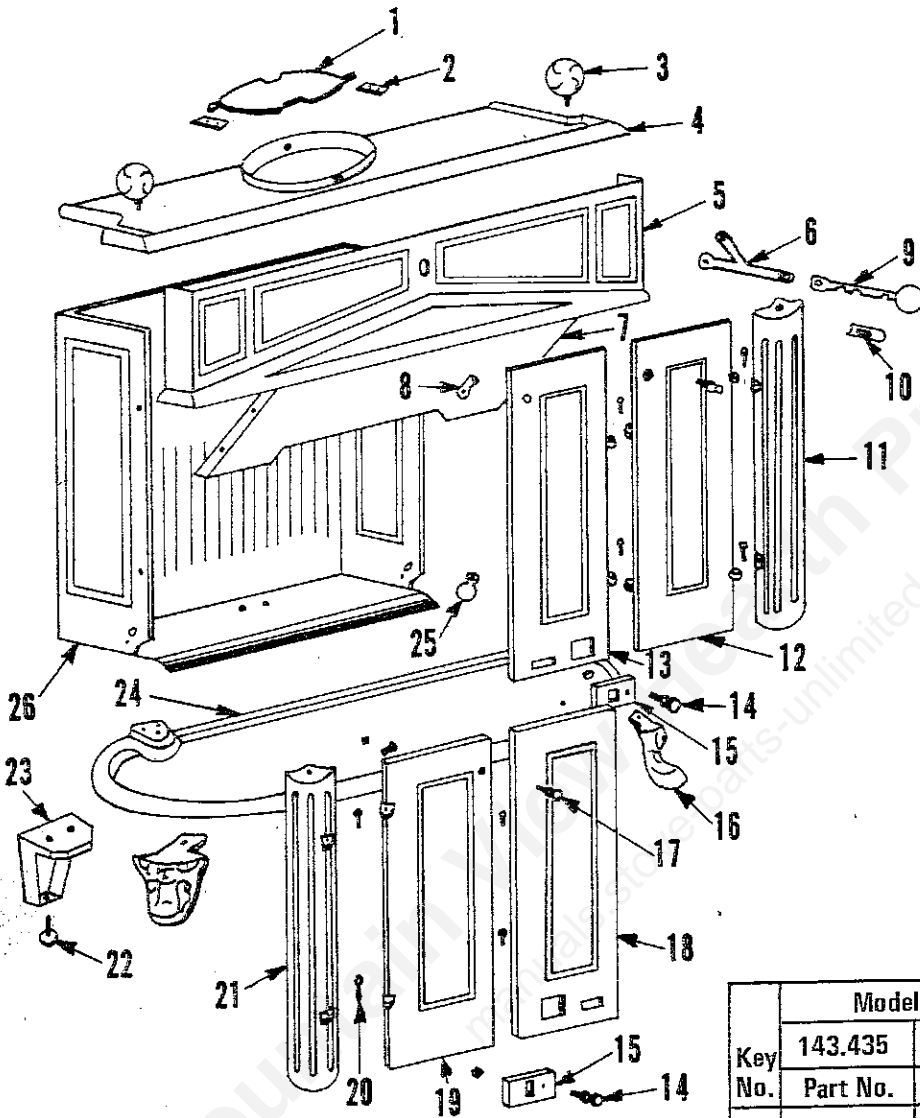
C. Firing

1. Starting a fire in a cold room tends to produce smoke while the chimney is cold. When the chimney warms up, the smoking should stop.
2. Fires should be built to the rear of the unit.
3. Incorrect operation of damper; when adding fuel to fire, make sure that the damper is open.
4. The use of the fire basket or andirons, promotes a better fire and minimizes smoke.

D. Other Conditions

1. Pipe inserted too far into chimney opening.
2. Pipe obstructed with soot.

repair parts



Sears EARLY AMERICAN
Franklin Fireplace

MODEL NUMBER
143.435
143.842030

NOTE: All bolts and nuts are standard hardware items and may be purchased locally.

Key No.	Model No.		Description
	143.435 Part No.	143-842030 Part No.	
1	2996	2996	Damper
2	5247	5247	Damper Lug (2 Req.)
3	5079	5079	Ornamental Knob (2 Req.)
4	5207	5384	Top Main
5	2991	5385	Upper Front
6	3002	3002	Arm, Damper Control
7	2990	5386	Baffle
8	3000	3000	Catch, Door (3 Req.)
9	5080	5080	Knob, Damper Control
10	5366	5366	Bracket, Damper Control
11	5249	5249	Column, Right Side

Key No.	Model No.		Description
	143.435 Part No.	143.842030 Part No.	
12	5251	5388	Door, Right Outer
13	2985	5389	Door, Right Center
14	2999	2999	Knob, Draft Slide (2 Req.)
15	2998	2998	Draft Slide (2 Req.)
16	3006	3006	Leg (2 Req.)
17	4162	4162	Door Handle (3 Req.)
18	2987	5390	Door, Left Center
19	5252	5391	Door, Left Outer
20	5357	5357	Door, Pin (8 Req.)
21	5050	5050	Column, Left Side
22	5174	5174	Leg, Leveler (2 Req.)
23	5246	5246	Adjustable Leg (2 Req.)
24	3004	5393	Hearth
25	1189	1189	Cover with Bolt
26	5248	5394	Back, Sides, & Bottom
*	F642-2972		Owners Manual

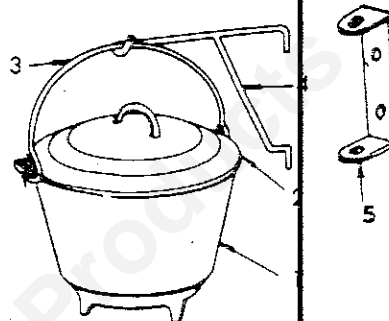
Sears

Franklin Fireplace

THE FOLLOWING ITEMS ARE NOT PART OF YOUR FRANKLIN FIREPLACE, BUT MAY BE ORDERED SEPARATELY.

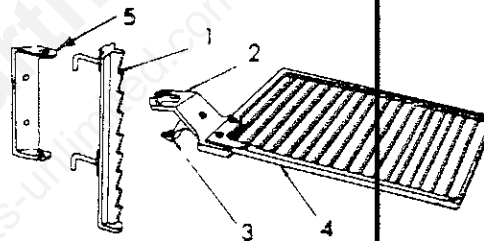
BOSTON BEAN POT WITH CRANE HOOK—No. 42-84025

Key No.	Part No.	NAME OF PART
1	3051	Pot
2	3052	Cover
3	3053	Handle
4	3054	Crane Hook
5	5257	Bracket



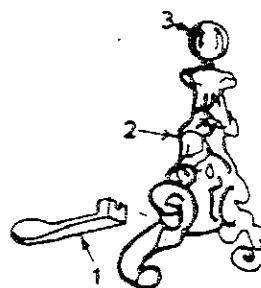
CAST IRON BARBECUE GRID—No. 42-84019

Key No.	Part No.	NAME OF PART
1	3016	Support, Grill
2	3017	Arm, Grill
3	3018	Leg, Grill Adjusting
4	3019	Grill
5	5257	Bracket



ANDIRONS—No. 42-84072 Set of Two

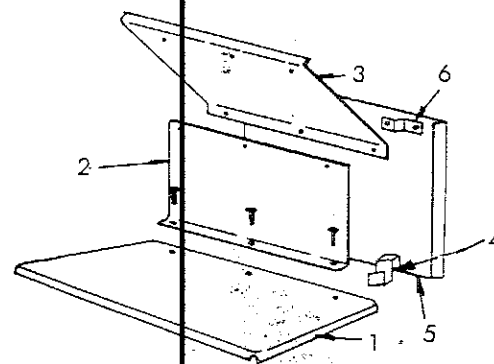
Key No.	Part No.	NAME OF PART
1	5243	Leg
2	5244	Andiron
3	5245	Knob, Andiron



HEAT SHIELD KIT — No. 42-84001 for Model 143.435 Only

New Heat Shield Kit permits installation of Franklin close to a combustible back wall.

KEY NO.	PART NO.	NAME OF PART
1	5020	Bottom Baffle, with Insulation
2	5021	Inside Rear Baffle
3	5022	Top Baffle
4	5258	Bottom Bracket (2 required)
5	5024	Back Baffle
6	5025	Top Mounting Bracket (2 required)
*	5081	Top Baffle Bracket (2 required)



STOVE TOUCH-UP PAINT

PART NO. 5031
One Pint. Keeps cast iron looking new.

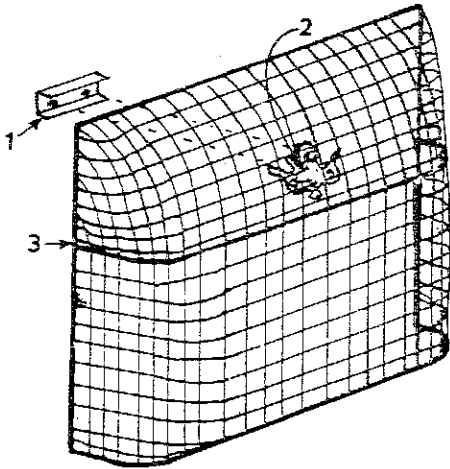
* Not Illustrated

accessories

Sears

Franklin Fireplace

THE FOLLOWING ITEMS ARE NOT PART OF YOUR FRANKLIN FIREPLACE,
BUT MAY BE ORDERED SEPARATELY.

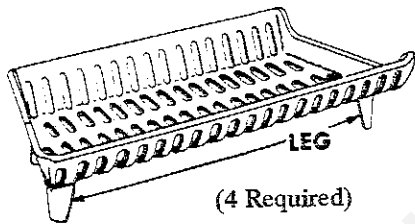


PARLOR SCREEN No. 42-84005 For Model No. 143.842030
No. 42-84071 For Model No. 143.435

Key No.	Part No.		Description
	42-84071	42-84005	
1	5213	5213	Handle Bracket
2	5218	5218	Handle, Ornamental
3	5242	5383	Basket Screen

CAST IRON GRATE BASKET No. 42-84004 for Model No. 143.842030
No. 42-84028 for Model No. 143.435

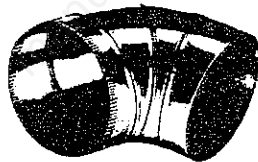
Key No.	Part No.		Description
	42-84028	42-84004	
1	3001	4331	Basket
2	5168	5168	Leg



8" ELBOW 42-84022

Pipe and accessories are finished in mat black, heat resistant, silicone paint to complement the Franklin. Made of heavy weight 24 gauge steel for long life.

Connectors and other parts for installation of Sears Pre-Fab chimneys are also available.

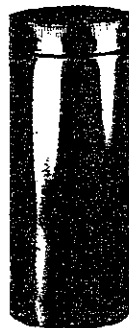


PIPE REDUCER 42-84015

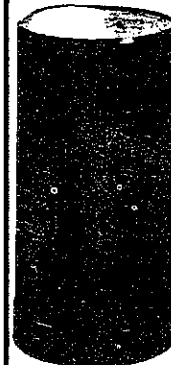
For use when an 8-inch diameter smokepipe is desired. Reduces 10-inch flue opening at top of the stove to 8 inches for a vertical outlet installation . . . (this is the most popular type of use for this accessory). The reducer can also be connected to the rear vent opening for a horizontal-type outlet installation if stove stands at least 18 inches from flue. Attractive black satin-finished steel.



8" COLLAR 42-84031



8" x 2' PIPE 42-84023



CONNECTOR ADAPTOR 42-8413

Mountain View Hearth Products
manuals.stove-parts-unlimited.com

Sears

owners manual

EARLY AMERICAN

Franklin Fireplace

MODEL NUMBER

143.435

143.842030

HOW TO ORDER REPAIR PARTS

**SEARS SERVICE
IS AT YOUR SERVICE
WHEREVER YOU LIVE OR MOVE
IN THE U.S.A.**

The Model Number will be found on a plate mounted on the back of the Fireplace. Always mention the Model Number when requesting service or repair parts for your Franklin Fireplace.

All parts listed herein may be ordered through SEARS, ROEBUCK AND CO., C/O REPAIR PARTS DEPARTMENT 98. When ordering parts by mail, selling prices will be furnished on request or parts will be shipped at prevailing prices and you will be billed accordingly.

WHEN ORDERING REPAIR PARTS, ALWAYS GIVE THE FOLLOWING INFORMATION AS SHOWN IN THIS LIST:

1. The PART NUMBER
2. The PART DESCRIPTION
3. The MODEL NUMBER
4. The NAME of ITEM

Your Sears merchandise takes on added value when you discover that Sears has over 2,000 Service Units throughout the country. Each is staffed by Sears-trained professional technicians using Sears approved parts and methods.