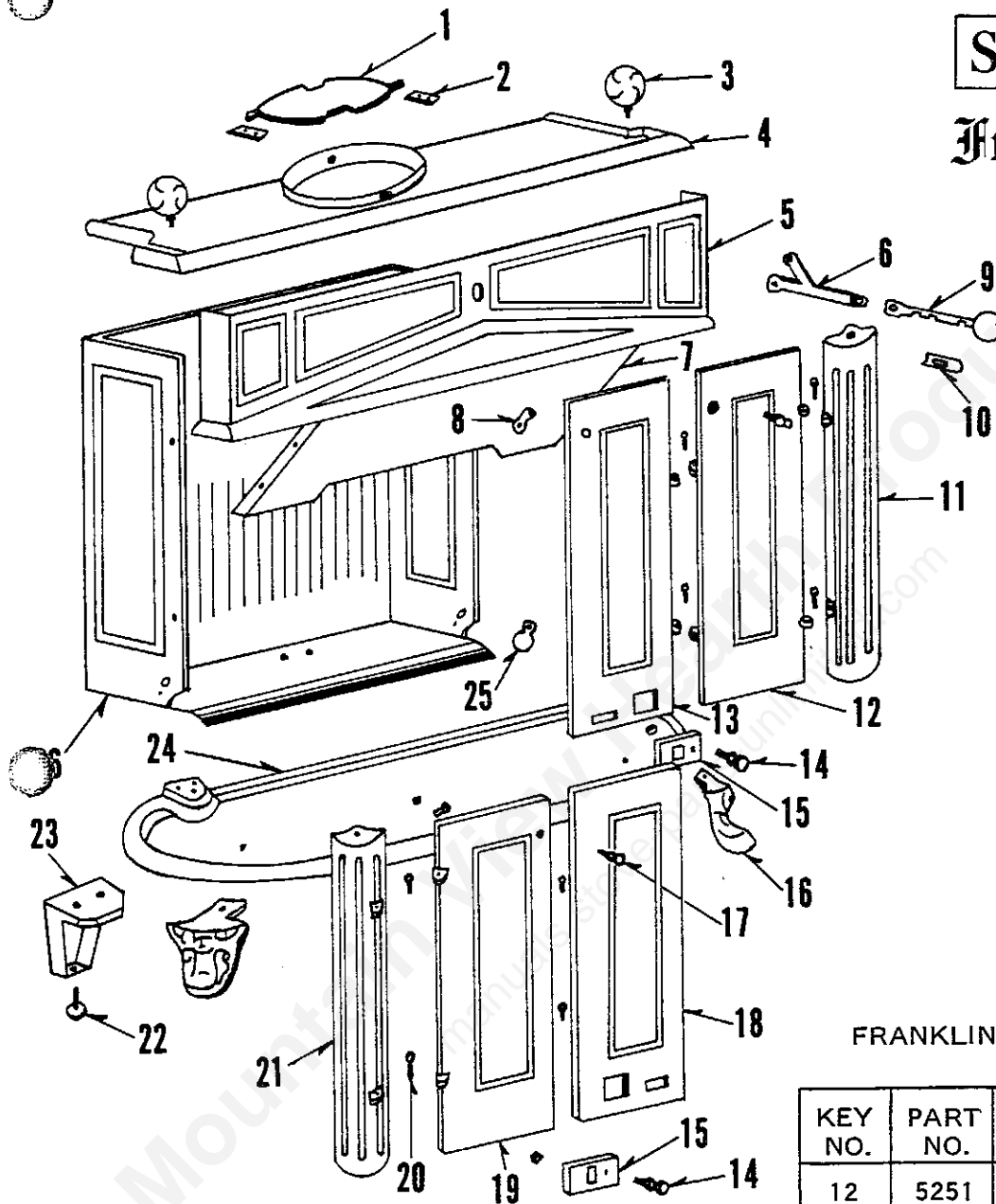


repair parts

Sears EARLY AMERICAN

Franklin Fireplace

MODEL NUMBER 143.435



NOTE: All bolts and nuts are standard hardware items and may be purchased locally.

FRANKLIN FIREPLACE PARTS LIST

KEY NO.	PART NO.	NAME OF PART
1	2996	Damper
2	5247	Damper Lug
3	5079	Ornamental Knob (2 Req.)
4	5207	Top Main
5	2991	Upper Front
6	3002	Arm, Damper Control
7	2990	Baffle
8	3000	Catch, Door (3 Req.)
9	5080	Knob, Damper Control
10	5366	Bracket, Damper Control
11	5249	Column, Right Side

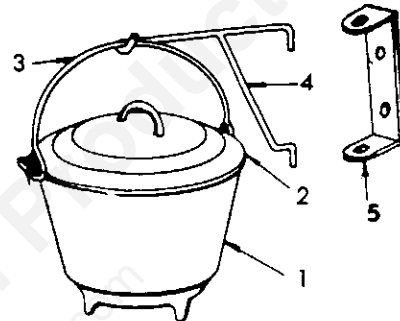
KEY NO.	PART NO.	NAME OF PART
12	5251	Door, Right Outer
13	2985	Door, Right Center
14	2999	Knob, Draft Slide
15	2998	Draft Slide (2 Req.)
16	3006	Leg (2 Req.)
17	4162	Door Handle (3 Req.)
18	2987	Door, Left Center
19	5252	Door, Left Outer
20	5357	Door, Pin
21	5050	Column, Left Side
22	5174	Leg, Leveler
23	5246	Adjustable Leg
24	3004	Hearth
25	1189	Cover with Bolt
26	5248	Back, Sides, & Bottom
		*F642-8649 Instructions & Parts List

Sears Franklin Fireplace

THE FOLLOWING ITEMS ARE NOT PART OF YOUR FRANKLIN FIREPLACE,
BUT MAY BE ORDERED SEPARATELY.

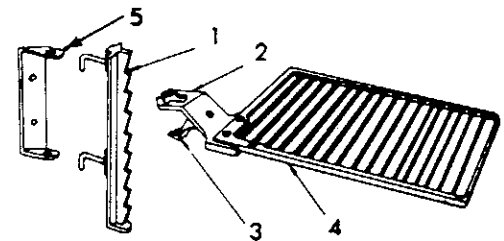
BOSTON BEAN POT WITH CRANE HOOK—No. 42-84025

Key No.	Part No.	NAME OF PART
1	3051	Pot
2	3052	Cover
3	3053	Handle
4	3054	Crane Hook
5	5257	Bracket



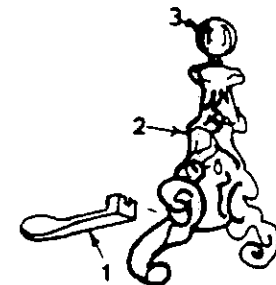
CAST IRON BARBECUE GRID—No. 42-84019

Key No.	Part No.	NAME OF PART
1	3016	Support, Grill
2	3017	Arm, Grill
3	3018	Leg, Grill Adjusting
4	3019	Grill
5	5257	Bracket

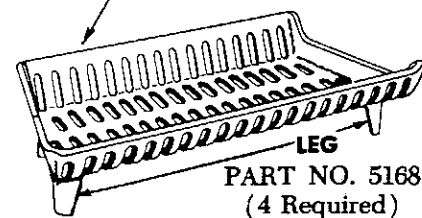


ANDIRONS—No. 42-84072 Set of Two

Key No.	Part No.	NAME OF PART
1	5243	Leg
2	5244	Andiron
3	5245	Knob, Andiron



CAST IRON GRATE BASKET—No. 42-84028 PART NO. 3001



STOVE TOUCH-UP PAINT PART NO. 5031

One pint. Keeps cast iron looking new.

PART NO. 5168
(4 Required)