

**PARTS LIST FOR  
SEARS COUNTRY KITCHEN WARMING CUPBOARD  
DUCTED RANGE HOOD  
MODEL NUMBER 143.6106801  
AND DUCTLESS RANGE HOOD**

MODEL NUMBER 143.6106811

The Model Number will be found on a Nameplate located below the Switch Box of Hood Body. Always mention the Model Number in all correspondence regarding the Range Hood or when ordering repair parts.

**HOW TO ORDER REPAIR PARTS**

All parts listed herein may be ordered through SEARS, ROEBUCK AND CO. When ordering parts by mail from the mail order house which serves the territory in which you live, selling prices will be furnished on request or parts will be shipped at prevailing prices and you will be billed accordingly.

WHEN ORDERING REPAIR PARTS, ALWAYS GIVE THE FOLLOWING INFORMATION AS SHOWN IN THIS LIST:

1. The PART NUMBER
2. The PART NAME
3. The MODEL NUMBER
4. The NAME of item -- Range Hood.

**COAST TO COAST NATION-WIDE  
SERVICE FROM SEARS**

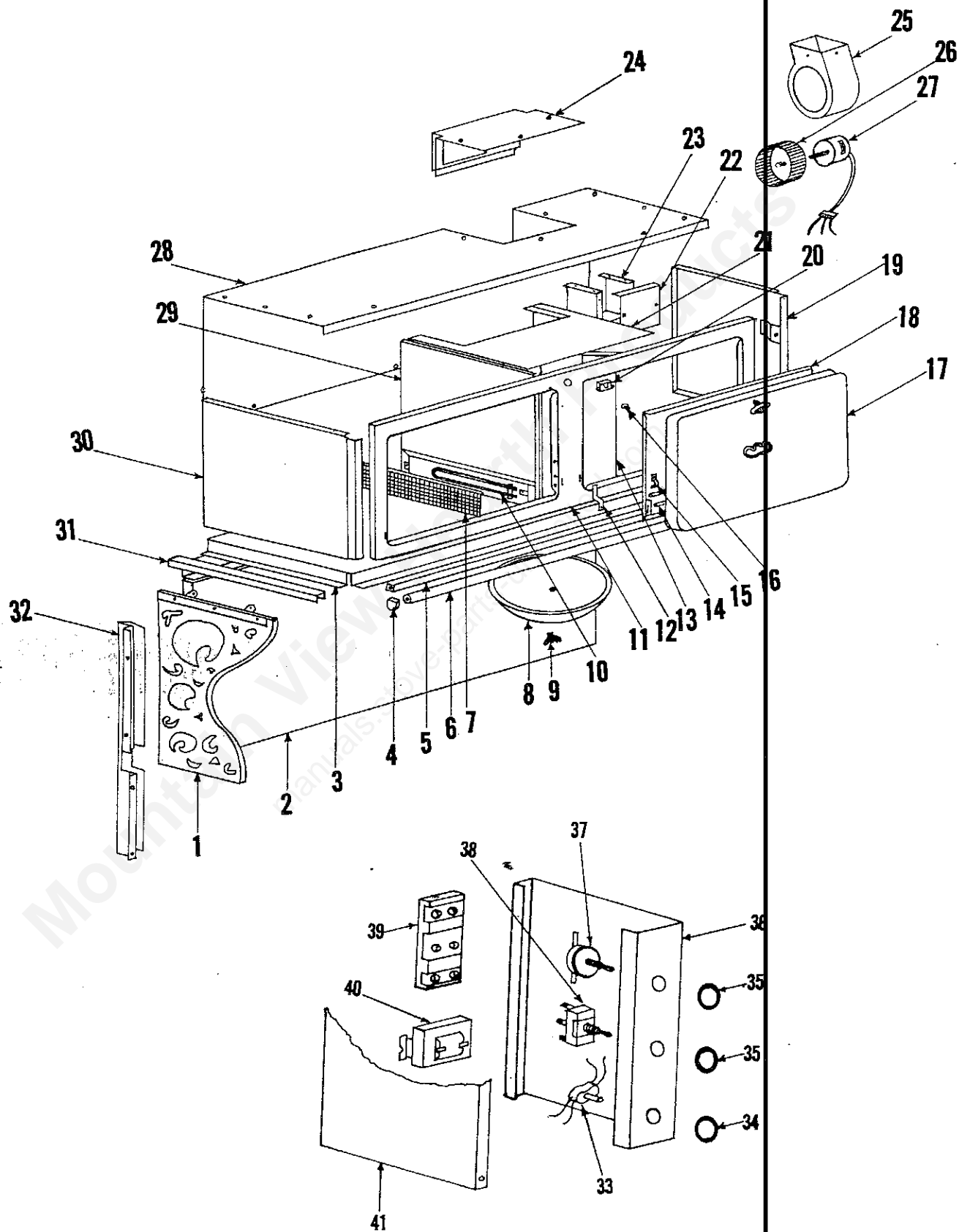


SEARS, ROEBUCK AND CO. backs up your investment with quick, expert mechanical service and genuine KENMORE replacement parts. If and when you need repairs or service, call on us to protect your investment in this fine piece of equipment.

Part No. 5193

**SEARS, ROEBUCK and CO., U.S.A.**

MODEL NUMBER 143.6106801



SEARS COUNTRY KITCHEN DUCTED WARMING CUPBOARD RANGE HOOD .... MODEL NO. 143.6106801

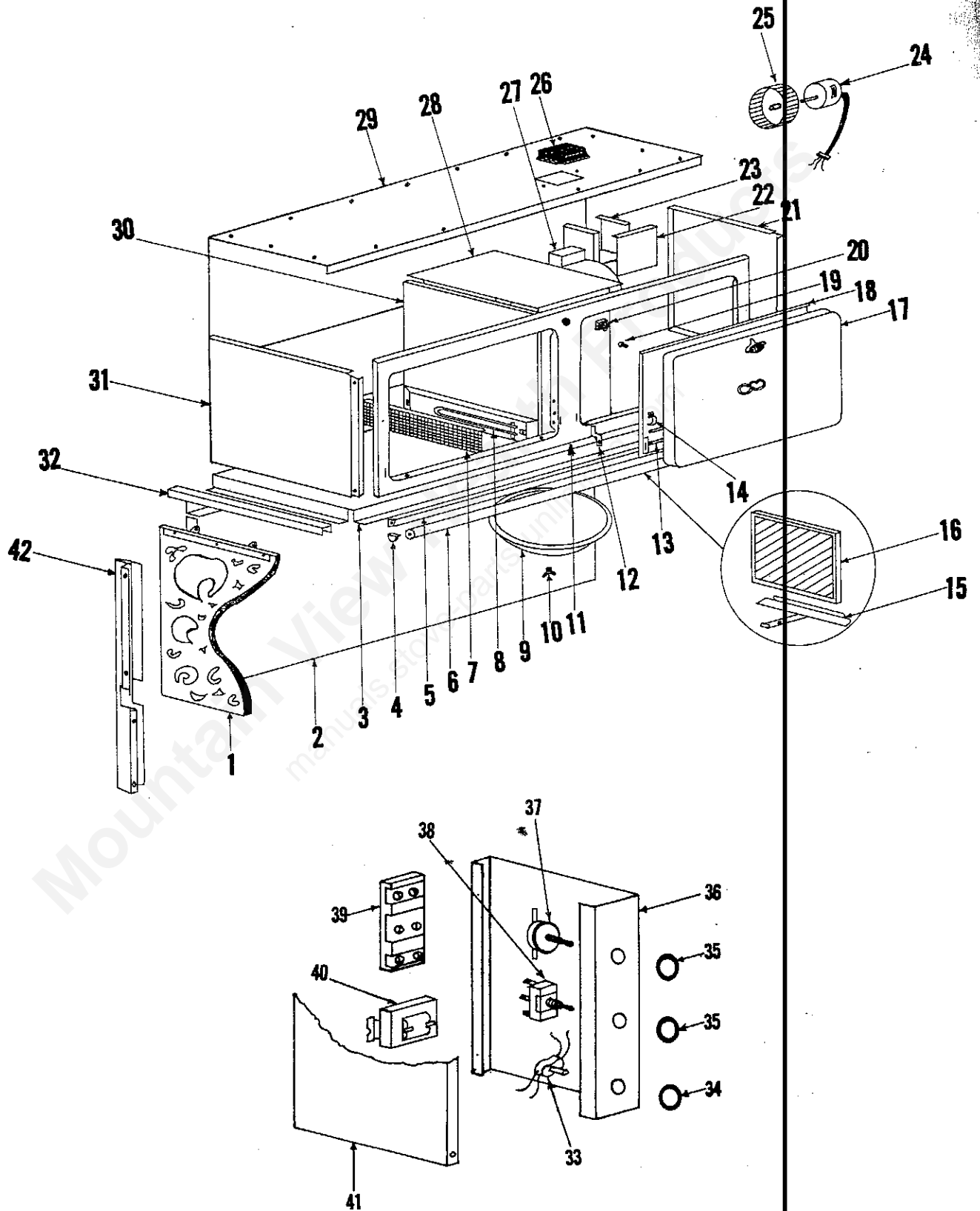
PARTS LIST

Key No.	Part No.	Description
*	5032	Right Support Bracket
1	5033	Left Support Bracket
2	5034	Back Splasher
3	5035	Main Bottom
4	5036	Lamp Holder
5	5037	Lamp Bracket
6	5038	Lamp
7	5039	Warmer Grille
8	5040	Air Filter
9	5041	Wing Nut
10	5042	Warmer Element
11	5085	Front Frame
12	5044	Door Arm Hinge
13	5086	Switch Box Holder
14	5087	Door Rod (2 Required)
15	5088	Door Rod Spring
16	5082	Rubber Bumper
17	5049	Door Panel Assembly
18	5050	Door Lining
19	5052	Right Side Panel
20	5089	Pilot Light
21	5057	Blower Box Assembly

Key No.	Part No.	Description
22	5055	Terminal Box Cover
23	5056	Terminal Box
24	5058	Reversible Vent Collar
25	5046	Blower Scroll
26	5054	Blower Wheel
27	5053	Fan Motor
28	5190	Main Back & Top
29	5059	Warmer Side
30	5063	Left Side Panel
31	5090	Bottom Filter Retainer Strip
32	5191	Warming Cupboard Brace, Left
*	5219	Warming Cupboard Brace, Right
33	5065	Lamp Starter Switch
34	5072	Retainer Switch Ring
35	5071	Retainer Switch Ring
36	5091	Control Panel
37	5069	Warmer Switch
38	5067	2-Speed Fan Switch
39	4086	Terminal Block
40	5070	Lamp Ballast
41	5092	Control Panel Front
*	5192	Inst. & Oper. Instructions
*	5193	Parts List

\* NOT ILLUSTRATED

MODEL NUMBER 143.6106811



SEARS COUNTRY KITCHEN DUCTLESS WARMING CUPBOARD RANGE HOOD . . . MODEL NO. 143.6106811

PARTS LIST

Key No.	Part No.	Description
1	5033	Left Support Bracket
*	5032	Right Support Bracket
2	5034	Back Splasher
3	5035	Main Bottom
4	5036	Lamp Holder
5	5037	Lamp Bracket
6	5038	Lamp
7	5039	Warmer Grille
8	5042	Warmer Element
9	5095	Air Filter
10	5041	Wing Nut
11	5085	Front Frame
12	5044	Door Arm Hinge
13	5087	Door Rod (2 Required)
14	5088	Door Rod Spring
15	5096	Charcoal Filter Holder
16	5097	Charcoal Filter
17	5049	Door Panel Assembly
18	5050	Door Lining
19	5082	Rubber Bumper
20	5089	Pilot Light
	5052	Right Side Panel
	5055	Terminal Box Cover

Key No.	Part No.	Description
23	5056	Terminal Box
24	5099	Fan Motor
25	5100	Blower Wheel
26	5102	Vent Cover
27	5103	Blower Scroll
28	5098	Blower Box Assembly
29	5194	Main Back & Top
30	5059	Warmer Side
31	5063	Left Side Panel
32	5090	Bottom Filter Retainer Strip
33	5065	Lamp Starter Switch
34	5072	Retainer Switch Ring
35	5071	Retainer Switch Ring
36	5091	Control Panel
37	5069	Warmer Switch
38	5067	2-Speed Fan Switch
39	4086	Terminal Block
40	5070	Lamp Ballast
41	5092	Control Panel Front
42	5191	Warming Cupboard Brace, Left
*	5219	Warming Cupboard Brace, Right
*	5192	Inst. & Oper. Instructions
*	5193	Parts List

\* NOT ILLUSTRATED