

Sears

owners manual

MODEL NUMBER

143.840200

143.840300

143.840601



U. L. FILE NUMBER
MH 11806

CAUTION:

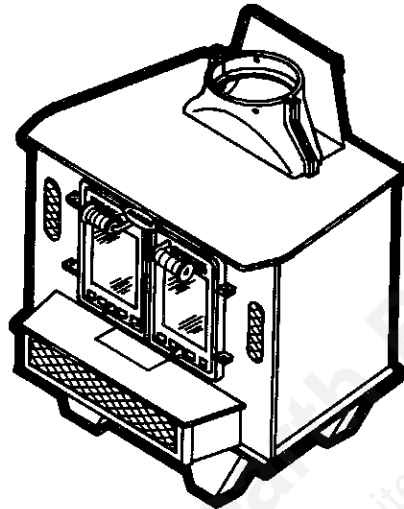
Read All Instructions
Carefully Before Starting the
Installation or Operating the
Insert.

Improper Installation
Could Void
Your Warranty

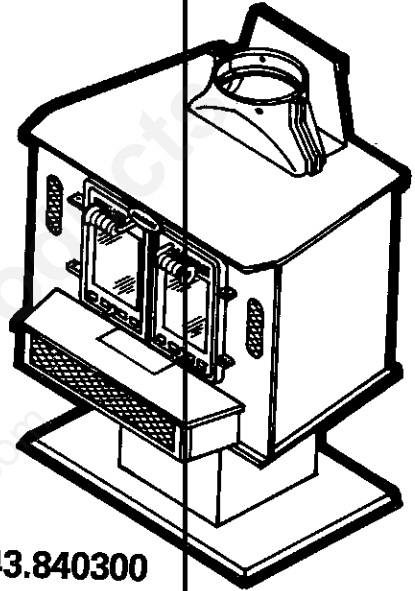
Do Not Use This Heater
In Mobile Homes
or Trailers

Save This Manual
For Future Reference

Forester Room Heater



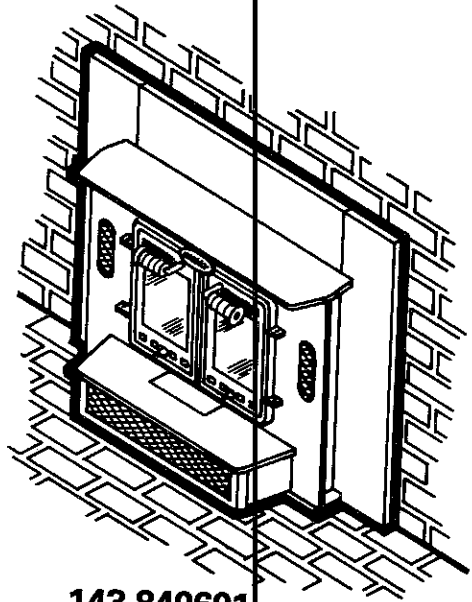
143.840200



143.840300

**FREE STANDING
AND FOR
INSTALLATION
IN
MASONRY
FIREPLACES**

- ASSEMBLY
- INSTALLATION
- OPERATION
- REPAIR PARTS



143.840601

SAFETY NOTICE:

If this Insert is not properly installed, a house fire may result. For your safety, follow the installation instructions. Contact local building or fire officials about restrictions and installation inspection requirements in your area.

Sears, Roebuck and Co., Chicago, Ill. 60684 U.S.A.

PRINTED IN U.S.A.

FORM 85493A 9/86

introduction!

Please read our instructions before you install and use your new Wood Burning Fireplace Insert. This will help you obtain the full benefits from your heater.

If you want your heater professionally installed, contact your SEARS SALESPERSON. They will arrange for prompt, quality installation by SEARS AUTHORIZED INSTALLERS.

SEARS INSTALLATION POLICY

All installation labor arranged by SEARS shall be performed in a neat, workman-like manner in accordance with generally accepted trade practices. Further, all installations shall comply with all local laws, codes, regulations, and ordinances. The customer shall also be protected, during installation, by insurance relating to property damage, workmen's compensation and public liability.

SEARS INSTALLATION WARRANTY

In addition to any warranty extended to you on the Sears merchandise involved, which warranty becomes effective the date the merchandise is installed, should the workmanship of any Sears arranged installation prove faulty within one year, Sears will, upon notice from you, cause such faults to be corrected at no additional cost to you.

tools and materials needed

TOOLS

- Pencil
- 6 Foot Folding Rule or Tape Measure
- Electric Drill (1/4")
- Drill Bit (For Sheet Metal Screws)-1/8" Dia.
- Screw Driver (Blade-Type)
- 3/8" Box, Open End or Small Adjustable Wrench
- Gloves
- 9/16" box, open end or small adjustable wrench
- 5/16" Nut Driver or
- 5/16" Socket w/Ratchet

MATERIALS—FREE STANDING / PEDESTAL HEATER

- 8" Pipe, 8" Elbow, Collar and Thimble; as required (24 gauge min.)
- Sheet Metal Screws - (No.10A x 1/2")
- 8" Inside diameter Underwriters Laboratories (U.L.) Listed Residential Solid Fuel Factory-Built Triplewall Chimney or existing masonry chimney.
- Furnace Cement (Manufacturer Recommends: Rutland Black Code 78 or equivalent).

MATERIALS-FREESTANDING / PEDESTAL & INSERT

- Floor Protector as specified on Page 4 or Page 7 of this manual.

Forester 143.840200

Free Standing Room Heater Dimensions

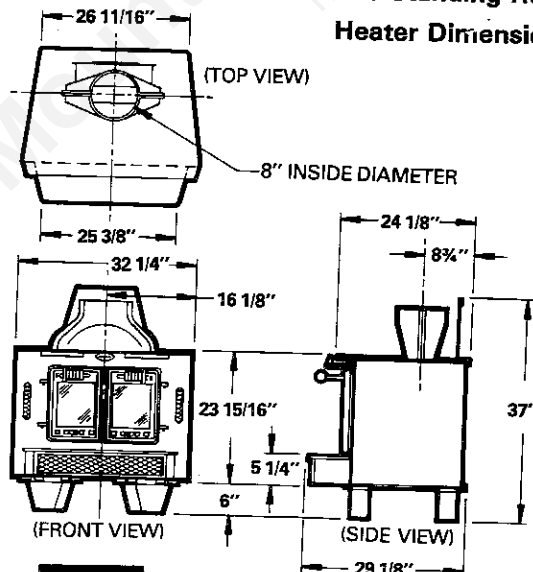
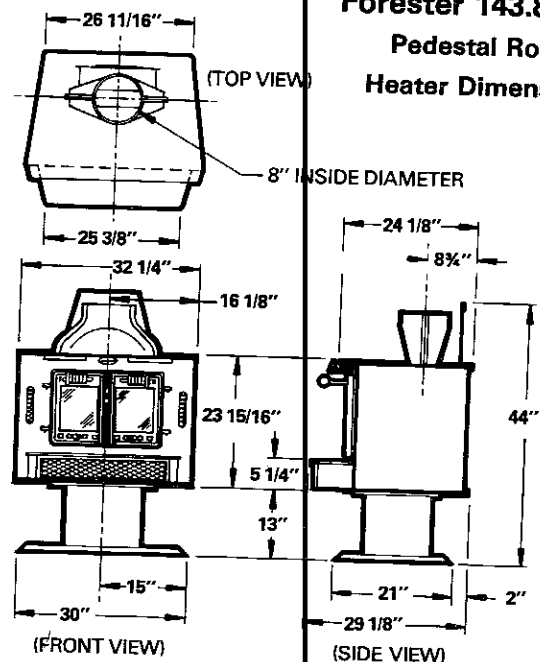


FIG. 1

Forester 143.840300

Pedestal Room Heater Dimensions



rules for safe installation and operation

Read these rules and instructions carefully.

SAFETY NOTICE: If this heater is not properly installed, a house fire may result. For your safety, follow the installation instructions. Contact local building or fire officials about restrictions and installation inspection requirements in your area.

1. Check your local building and fire codes. This installation must comply with their rulings.
2. Install the Room Heater in a masonry fireplace only with a masonry chimney that is constructed in accordance to NFPA 211..
DO NOT install the Room Heater in a factory-built metal fireplace (Zero Clearance).
DO NOT install this heater in a mobile home or trailer.
DO NOT connect a wood burning heater to an aluminum Type B gas vent. This is not safe and is prohibited by the National Fire Protection Association Code.
3. Always connect this heater to a chimney and vent to the outside. Never vent to another room or inside a building.
4. The freestanding room heater requires a masonry or a UL Listed Residential Type and Building Heating Appliance Chimney.
5. Be sure the masonry fireplace is clean and in a safe condition. Have the chimney inspected by the fire department or a qualified inspector. Your insurance company may be able to recommend a qualified inspector.
6. Make sure the masonry chimney is high enough to give a good draft.
7. Inspect the chimney twice monthly during the heating season for any deposit of creosote or soot. Such deposits must be removed. See CHIMNEY MAINTENANCE, Page 11.
8. A grate may be used in this heater. Bituminous or anthracite coal can be used. (See page 10).
9. **DO NOT BE ALARMED IF HEATER SMOKES UPON INITIAL FIRING.** The special paint used on this heater must be cured during initial firing. This smoking will occur only on initial firing.
10. **CAST IRON PARTS MUST BE "SEASONED" TO AVOID CRACKING. BUILD ONLY SMALL**

UNLOADING TIPS The Forester Heater has a total weight of approximately 350 lbs. Some tips on how to best get this heater to the desired installation location are as follows:

1. Remove doors from front of heater by lifting straight up when doors are open.
 2. Remove firebrick and air manifold from inside of firebox.
 3. Remove front grill on hearth assembly by loosening the (4) phillips head screws (2 on each side). (This is highly recommended to keep from bending this grill during handling).
- The above steps will take approximately 70 -75 lbs. of weight out of the heater and should better facilitate locating the unit for installation.

FIRES DURING THE FIRST FEW DAYS OF USE.

11. To prevent injury, do not allow anyone to use this heater who is unfamiliar with the correct operation of the heater.
12. For additional information on using your Room Heater safely, obtain a copy of the National Fire Protection Association (NFPA) publication "Chimneys, Fireplaces, and Solid Fuel Burning Appliances" NFPA No. 211. The address of NFPA is Batterymarch Park, Quincy, MA 02269.
13. **DISPOSAL OF ASHES** - Ashes should be placed in a metal container with a tight fitting lid. The closed container of ashes should be placed on a noncombustible floor or on the ground, well away from all combustible materials, pending final disposal. If the ashes are disposed of by burial in soil or otherwise locally dispersed, they should be retained in the closed container until all cinders have thoroughly cooled.
14. Keep the ashpit section free of excess ashes.
15. Observe clearances to combustible materials specified in this manual to avoid a fire hazard.
16. **DO NOT USE** the coal bricks that are manufactured from coal dust and a wax-type binder.
17. The metals used in construction of the heater has a light coating of oil. This could give off smoke and/or odors when heater is used for the first couple of times. This should disappear after a short period of time. Once this burn-off has occurred, it should not reoccur. **CARING FOR PAINTED PARTS** - This heater has a painted outside jacket, which is durable but it will not stand rough handling or abuse. When installing your heater, use care in handling. Clean with soap and warm water when heater is not hot. **DO NOT** use any acids or scouring soap, as these wear and dull the finish. **PAINT DISCOLORATION WILL OCCUR IF THE HEATER IS OVERFIRED. FOLLOW OPERATING INSTRUCTIONS CAREFULLY.**
18. The firebox walls in this heater may become slightly distorted over a period use. The slight distortion does not affect the operation of the unit.
19. As you look at the unit, the power cord fits **only** on the left side.

CAUTION: Do not touch the metal or glass surfaces of the heater until it has thoroughly cooled.

Locating The Free Standing Forester Models 143.840200 / 143.840300 Room Heater

AS A LOCATION IS SELECTED, KEEP THE FOLLOWING IN MIND:

1. Keep the chimney connection as short as possible. The heater must have its own chimney flue. Do not connect any other appliance to the same flue.
If there is no chimney near where you wish to place the heater, you can use a UL Listed Residential Solid Fuel Factory-Built Chimney (Fig. 10).
2. Place the heater on solid masonry or solid concrete. When the heater is used on a combustible floor, use a non-combustible floor protector of 3/8" thick millboard having a thermal conductivity of $K=0.84$ BTU in./Ft.² hr. deg. F. with 28-gauge sheet metal or a UL listed floor protector. Have the floor protector extend 14-1/2" in front of the hearth extension, 1-3/4" to each side, 10-3/8" to the rear; underneath and 2" to each side of the chimney connector. (SEE FIG. 2).
3. Check Figures 2, 3, & 4. You should have at least the clearances shown from the heater and the connector pipe to combustible surfaces. If you have a solid brick or stone wall behind your heater, you can place the heater as close as you wish to the wall. If the wall is only faced with brick or stone, treat it as a combustible wall.

MINIMUM CLEARANCE TO COMBUSTIBLE WALLS

FIG. 2

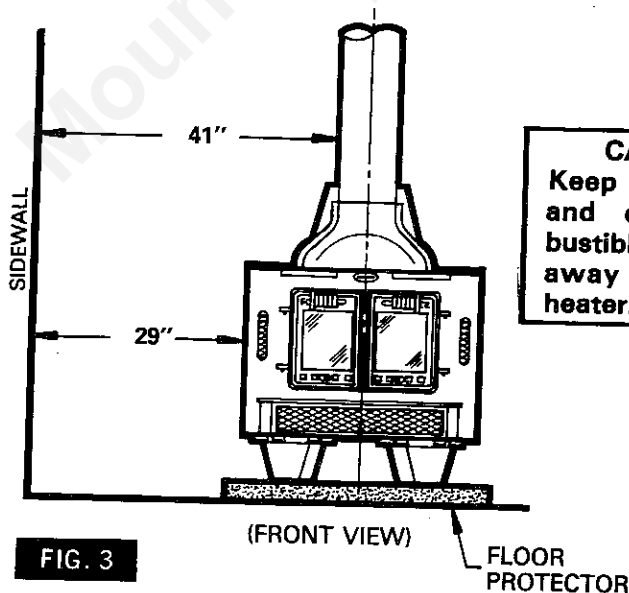
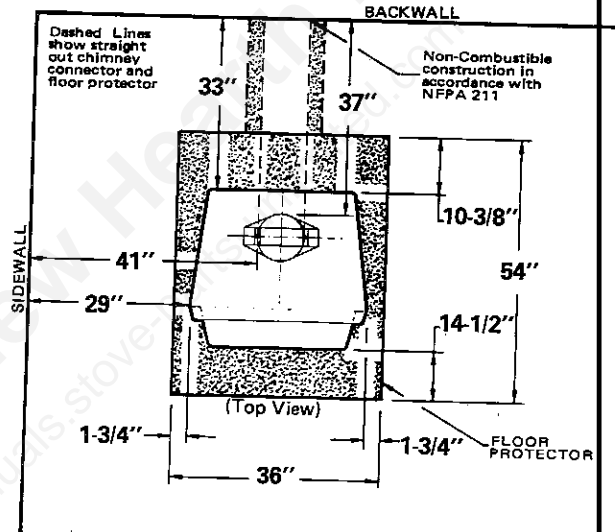


FIG. 3

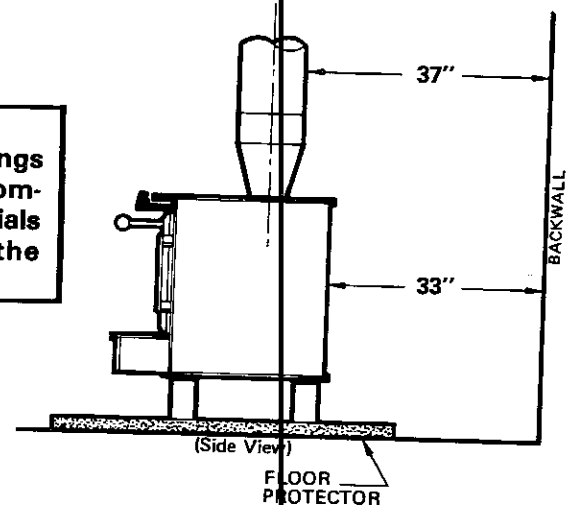
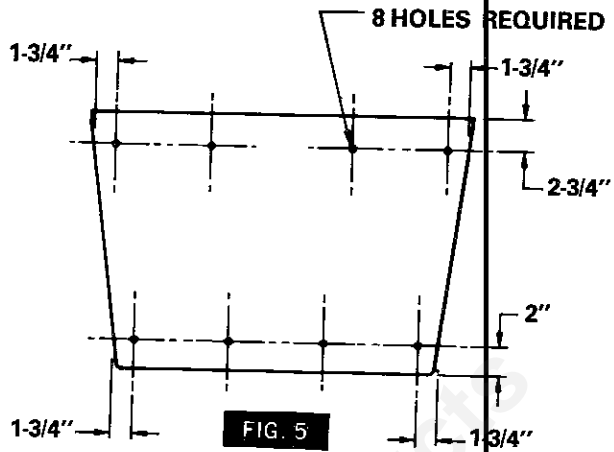


FIG. 4

Assembly Instructions for Forester Free Standing Room Heater

LEG INSTALLATION (Model 143.840200)

1. Make sure the doors, firebrick, air manifold and/or other loose objects are removed from the firebox.
2. Rotate the heater backwards onto the back side.
3. Position the leg assembly on the bottom of the heater as shown in Fig. 5. Mark the hole locations using the leg assembly holes as locators. Using an electric drill and the drill bit (7/32" dia.) provided, drill (8) holes in the bottom of the cabinet in the locations shown in Fig. 5.
4. Mount the four legs (leg covers towards front of heater) using the (8) 1/4-20 self-threading screws provided, with an adjustable or 3/8" wrench. (Fig. 6)
5. Rotate heater upright on legs and place heater in desired location.



PEDESTAL INSTALLATION (Model 143.840300)

1. Position heater on its back and then on its top. Remove pedestal base and parts from carton and position pedestal base on bottom of heater with open end of pedestal base facing rear of heater. (See Fig. 7).
2. After centering the pedestal base, mark the (4) hole locations on heater bottom using pedestal top mounting plate as template (as shown in Fig. 7).
3. Drill marked holes with electric drill using drill bit that is provided.
4. Secure pedestal base with (4) 1/4-20" self threading screws that are provided. (Fig. 8).
5. Position heater on its back, then on to the pedestal base.

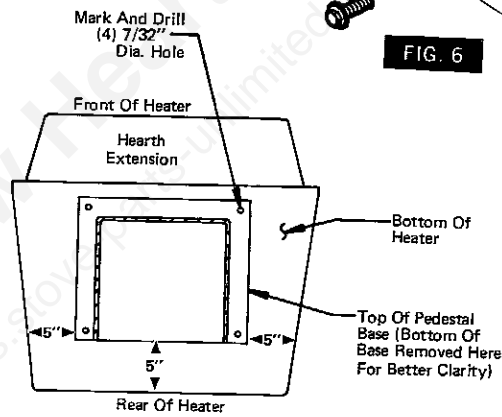
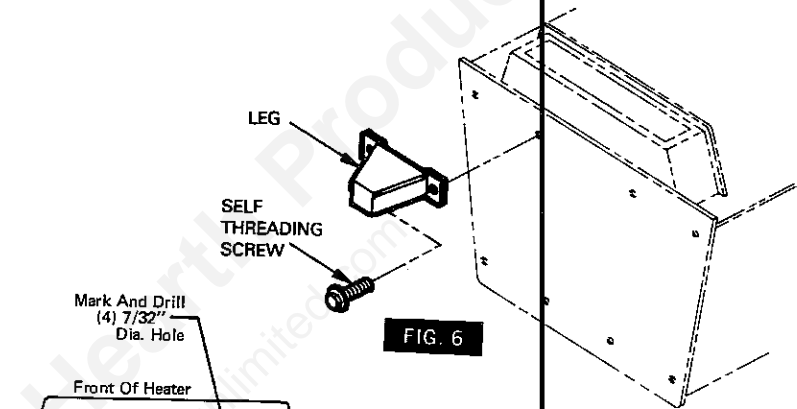


FIG. 7

FLUE ADAPTER INSTALLATION (Models 143.840200 and 143.840300)

1. Place flue adapter gasket on flue adapter and install assembly into flue (opening on top of heater) (Fig. 9).
2. Install flue tie down bar so that the ends rest on the inside shoulders of the flue adapter assembly. The bolts welded to the bars should go through the holes provided in the brackets welded to the inside of the flue.
3. Secure assembly from inside firebox with 3/8-16" nuts and lockwashers provided.
4. Hold tie down bar in place and tighten nuts with an adjustable or 9/16" wrench.
5. Install doors.

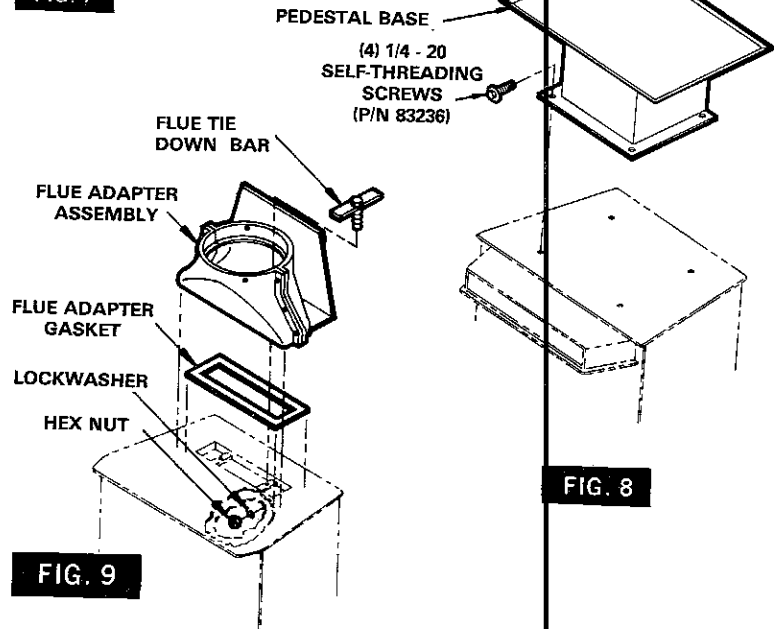


FIG. 8

FIG. 9

chimney connection

(For Models 143.840200 and 143.840300)

MASONRY CHIMNEY

Before using an existing masonry chimney, clean the chimney and inspect the flue liner to be sure it is safe to use. Make repairs before attaching the heater. (SEE P. 3, item 5).

Look at Fig. 10. The connector pipe and fittings you will need to connect directly to a masonry chimney are shown.

DO NOT connect this unit to a chimney flue serving another appliance.

The chimney used for a heater must not be used to ventilate the cellar or basement. If there is a cleanout opening at the base of the chimney, close it tightly.

If connector pipe must go through a combustible wall before entering the masonry chimney, consult a qualified mason or chimney dealer. The installation must conform to local fire codes, and NFPA 211.

UL LISTED CHIMNEY

Carefully follow chimney manufacturer's instructions. Use only a UL Listed Residential Type and Building Heating Appliance Factory-Built Chimney.

If your chimney starts at the ceiling (Fig. 11), you will need enough pipe to reach the ceiling.

The top of the chimney must be at least 3 feet above the roof and be at least 2 feet higher than any point of the roof within 10 feet (Fig. 11).

RULES FOR STOVEPIPE INSTALLATION

1. The crimped end of the connector pipe fits inside the heater flue collar. Install additional pipe and elbow with the CRIMPED END TOWARD THE HEATER. This will allow any condensation in the flue to run back into the heater.
2. Slope any horizontal pipe upward toward the chimney at least $\frac{1}{4}$ inch for each foot of horizontal run.
3. You must have at least 18 inches of clearance between any horizontal piping and the ceiling.
4. The pipe cannot extend into the chimney flue because it will restrict the draft. (Fig. 12).
5. Seal each connector pipe joint with furnace cement. Also seal the pipe at the chimney.
6. Use 3 sheet metal screws at each joint to make the piping rigid.
7. Do not put a damper in a connector pipe.
8. It is recommended that no more than two 90° bends be used in the stovepipe installation as more than two may decrease the amount of draw and possibly cause smoke spillage.

BAROMETRIC DRAFT REGULATOR (OPTIONAL)

In some installations, it may be desirable to install a barometric draft regulator in the chimney connector. A barometric draft regulator should be located in the same room (pressure zone) as the heater. When installing a barometric draft regulator, follow the barometric draft regulator manufacturer's instructions.

FLUE CONNECTION—NON-COMBUSTIBLE WALL

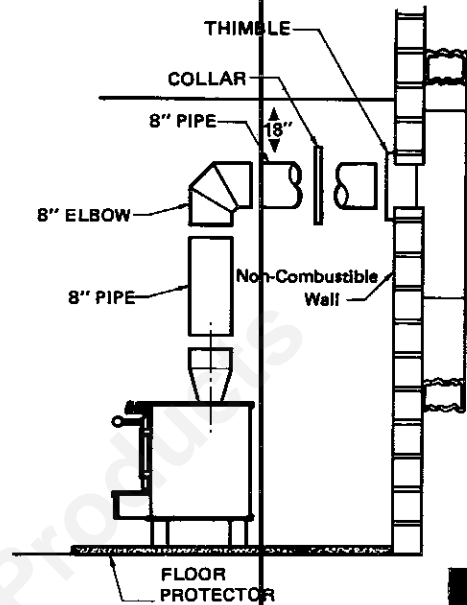


FIG. 10

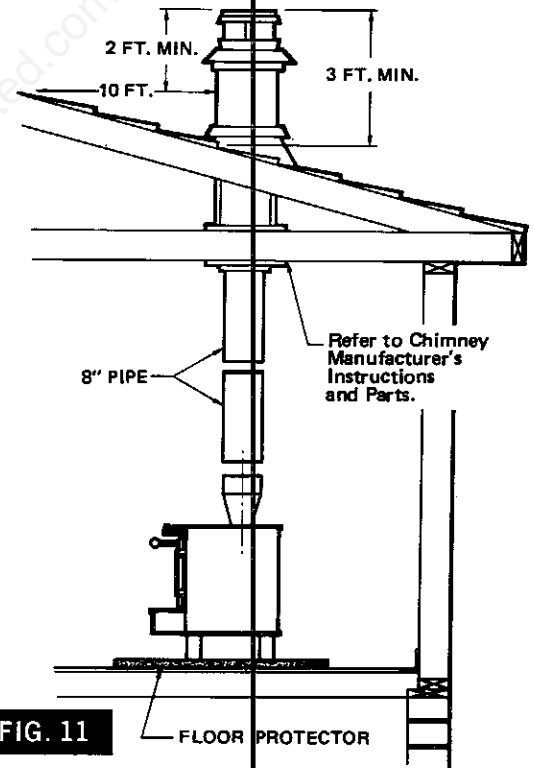


FIG. 11

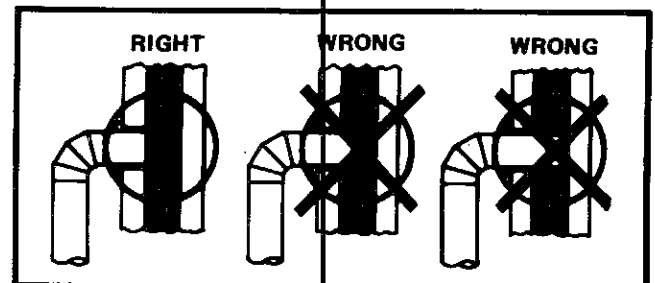


FIG. 12

Forester Model 143.840601 Fireplace Insert Dimensions

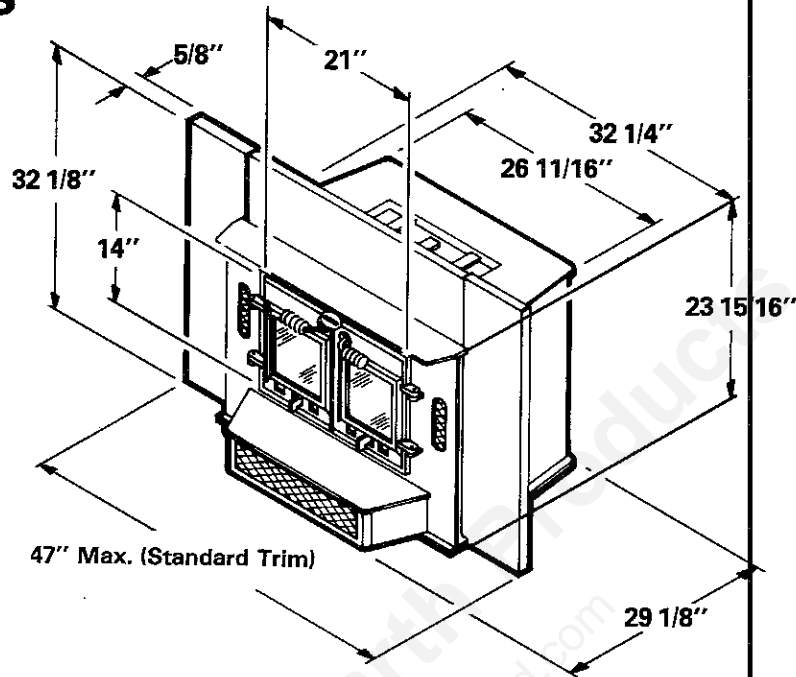


FIG. 13

Minimum Clearances To Combustible Surfaces

The clearances shown in Fig. 14 below must be maintained between the edge of the Fireplace Insert and decorative wooden mantels or mantel supports. If the wood trim or mantel of your fireplace is closer to the insert than these dimensions, they must be moved to at least the dimensions shown. Failure to observe these clearances could result in ignition of the mantel or wood trim.

The brick or stone hearth extension of your fireplace

IMPORTANT: (Fig. 15)

The distance from the fireplace front surface to the front edge of the insert top must be within the dimensions shown. Make sure the flue opening on the fireplace insert completely clears the lintel of the fireplace. This will insure a proper draft.

must extend a minimum of 16" in front of the Fireplace Insert. Clearance to any combustible wall must be a minimum of 22" as shown in Fig. 12.

CAUTION
KEEP FURNISHINGS AND OTHER COMBUSTIBLE MATERIALS AWAY FROM THE FIREPLACE INSERT.

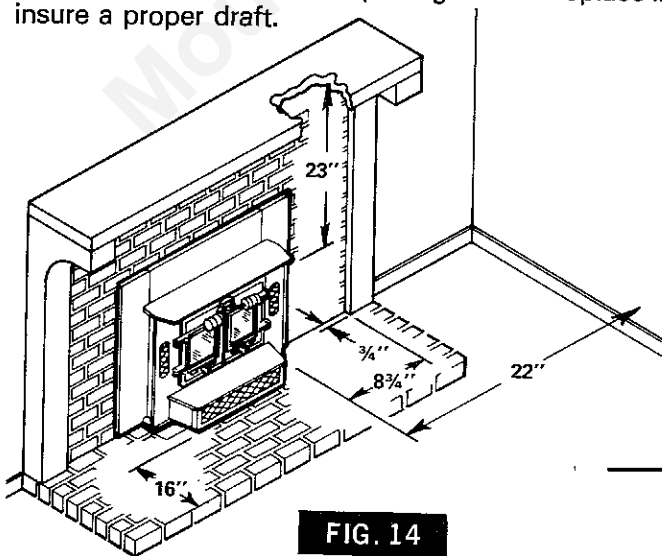


FIG. 14

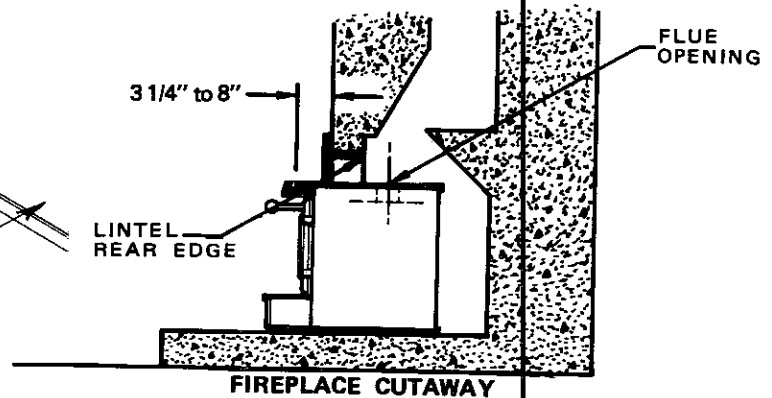


FIG. 15

locating the Fireplace Insert

The Fireplace Insert is to be located in an existing solid masonry fireplace. This fireplace should be constructed per NFPA 211. DO NOT INSTALL THIS FIREPLACE HEATER IN A FACTORY-BUILT METAL OR ZERO CLEARANCE FIREPLACE.

The fireplace must have a masonry chimney with an approved flue tile liner. Inspect the chimney carefully to be sure that it is clean and that the tile and masonry is in a safe condition.

Measure the fireplace width, height and depth as shown in the following Table. The fireplace opening dimensions must fall within the dimensions shown in this Table for proper and safe installation.

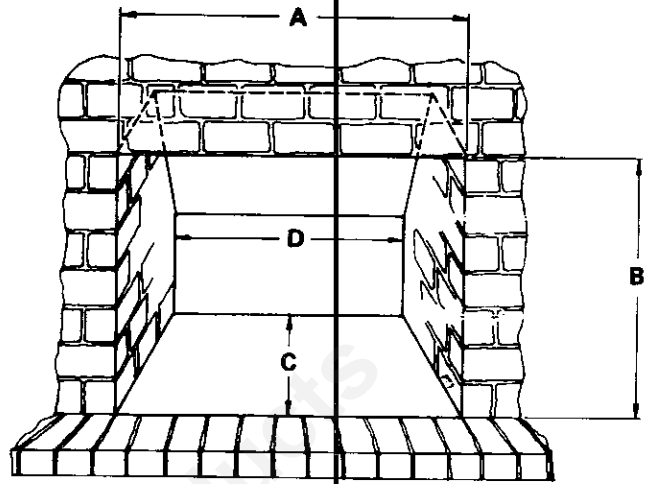


FIG. 16 Fireplace Opening Dimensions

FIREPLACE OPENING DIMENSIONS	FIREPLACE INSERT	
	MORE THAN	LESS THAN
A	32½"	44"
B	24"	31"
C	15"	---
D	27"	---

installation instructions

- DAMPER** - The damper in the masonry fireplace must be removed or blocked open. The handle for the damper should be completely removed so that it cannot accidentally cause the damper to close when the Fireplace Insert is installed.
- LEVELING** - The Fireplace Insert must be level when it is installed to assure a uniform burn and to facilitate a proper fit of the trim to the front of the masonry fireplace. In addition to being level, the Fireplace Insert should be flush with the hearth extension so that the Fireplace Insert can easily slide into or out of the fireplace opening. A method is shown below for making the Fireplace Insert level and flush with the hearth extension:

LEVELING METHOD - If the bottom of your present fireplace is uneven or is lower than the hearth extension, it may be filled with ready mixed concrete. By mixing the concrete a little on the wet side, it will flow and be virtually self leveling. See page 10 for Fireplace Insert Leveling Method.

If you have an ash cleanout door, it should be lifted enough to sit flush with the new fireplace hearth.

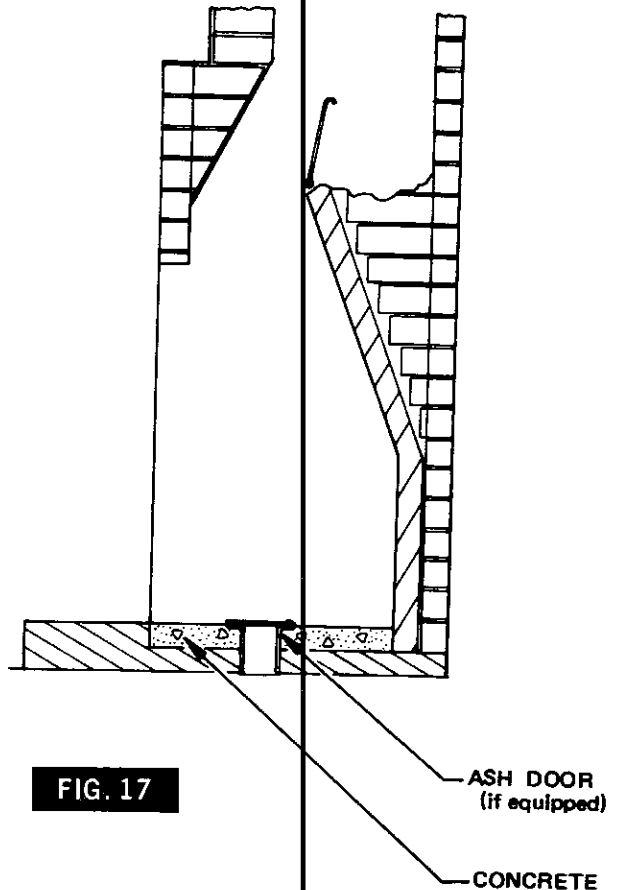


FIG. 17

(Provided with Model 143.840601 Only)

LEVELER/ROLLER INSTALLATION

Fireplace Insert Leveling Method — If the bottom of your present fireplace is uneven or is lower than the hearth extension, the Leveler/Roller should be installed. The Leveler/Roller will also allow for an easier installation of the insert, and an easier removal for chimney maintenance, (See Chimney Maintenance page 12).

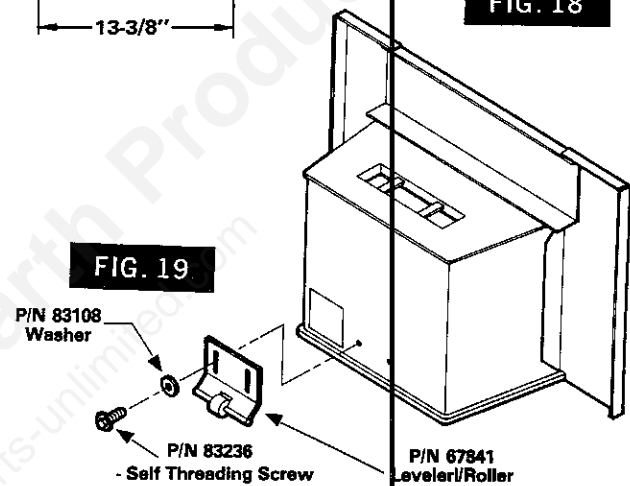
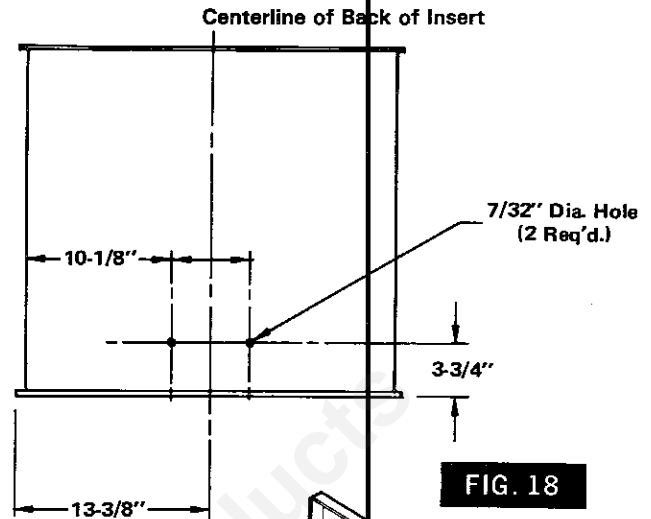
NOTE:

Take care when raising the rear of the Insert as the hearth extension (blower assembly) could strike the floor during installation of the Insert. It is recommended that the front grill on the hearth extension be removed to prevent possible damage. (See Page 3 under "Unloading Tips").

1. Drill (2) holes in the back of the insert cabinet with a 7/32" diameter drill bit at the locations shown in Fig. 18.

CAUTION: DO NOT drill through the internal firebox otherwise smoke and combustible gases will leak into room when a fire is built in insert.

2. Using an adjustable or 3/8" wrench, secure the leveler/roller with the self threading screws and washers provided. See Fig. 19.



assembly instructions

After the fireplace hearth has been leveled, the Fireplace Insert should be slid into position. Carefully check to see that the flue opening in the Fireplace Insert is unobstructed and that the smoke leaving the Insert can rise directly into the fireplace chimney. (See Fig. 15)

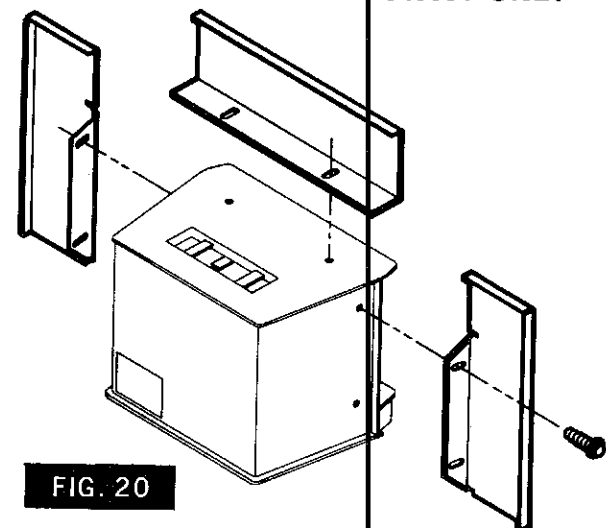
The cast iron Fireplace Insert doors may be removed by lifting them off their hinges. Next remove the firebrick, air manifold and/or other loose objects. This will help reduce the weight of the Fireplace Insert, making it easier to slide in and out.

TRIM ASSEMBLY

1. Slide the Fireplace Insert into the fireplace to the depth desired within the limits of installation. (See Fig. 15).
2. Place trim panels on the insert taking care to insure panels fit flat with the face of the fireplace. The panels should be aligned with one another to prevent gaps between the panels.
3. Mark the insert at the upper and the lower edge of the trim panels with a pencil.
4. Remove trim panels and slide the insert out of fireplace about 12 inches.
5. Replace each panel to the location marked.
6. Using an electric drill and the 7/32" dia. drill bit provided, drill through bracket mounting hole (slot) through the cabinet of the insert.

CAUTION: DO NOT DRILL THROUGH THE FIREBOX OTHERWISE SMOKE AND COMBUSTIBLE GASES WILL LEAK INTO THE ROOM WHEN THE FIRE IS BUILT IN THE INSERT.

7. Mount the trim panels using a 3/8" or adjustable wrench and the (6) 1/4-20 self threading screws provided. (Fig. 20).



OPTIONAL

Using furnace cement, carefully run a bead of cement around the backside of the trim to seal all air leaks. (Fig. 21).

GASKET INSTALLATION

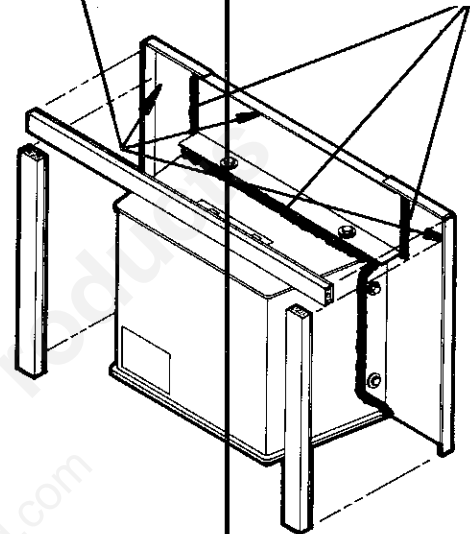
The adhesive backed gasket attaches to the back side of the trim that you've just installed. This gasket will seal against the brick front of your fireplace (Fig. 20).

1. Measure and cut the gasket material into three pieces. The two side pieces are 30½" long. The top gasket is cut according to length required.
2. Carefully remove the backing from the top gasket and install it across the full width of the top trim.
3. Remove the backing from each side trim gasket and install them starting from the bottom and working up.
4. Slide the Fireplace Insert back into your fireplace until the gasket seals securely against the fireplace front.

NOTE: If your fireplace front is irregular preventing the gasket from completely sealing, please order additional gasket material. (Part No. 88055) It is important that the fireplace trim seal against the front of your fireplace to obtain proper draft and drawing in the chimney and to prevent heat loss when the Fireplace Insert is not in operation.

Adhesive Backed Gasket
Attaches To This Surface

Furnace
Cement



(OPTIONAL)

FIG. 21

Log Retainer Installation

(Provided with Model 143.840601 Only)

NOTE:

The Log Retainer should be installed before initial firing and always left in place.

INSTALLATION

1. Open doors to widest position or remove firescreen.
2. Install log retainer on the hangers located just inside the door opening as shown in Figure 22.

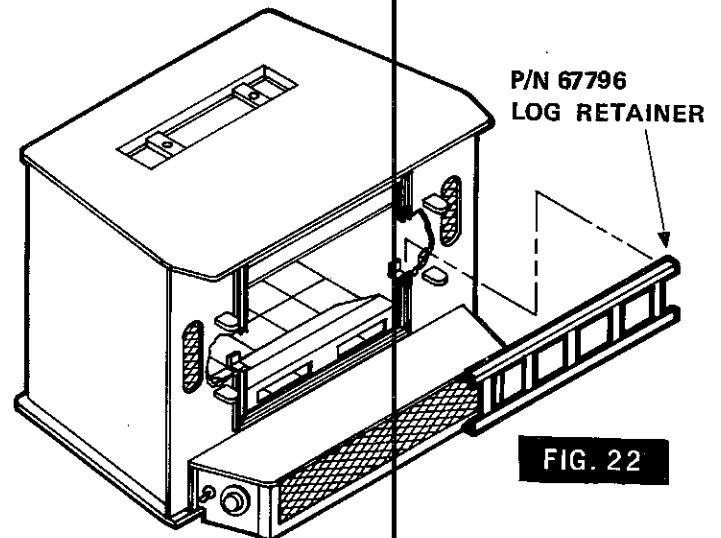


FIG. 22

Operating Instructions

WOOD FUEL

Use Hardwood that has been split and air-dried for at least six months to obtain maximum burning efficiency.

CAUTION

When burning wood fire do not elevate fire; build the fire directly on hearth. (No grate necessary).

LIGHTING INSTRUCTIONS

1. Open the air inlet shutter on each door (See Fig. 24).
2. Open the damper fully. This can be done by pushing the damper arm all the way to the back of the unit. The damper handle is in front just above the doors.
3. Open both doors and place paper and kindling in the firebox.
4. Light the fire and close the doors until the kindling is burning.
5. Open the doors and add fuel as desired.

EXTENDED OPERATION:

1. The temperature in the room and the rate at which wood is burned can be controlled by adjusting the air shutter and damper (Fig. 24).
2. Fuel should be added in small amounts to give more complete combustion and uniform room temperature.
3. Always open the damper and the air shutters fully before opening the doors. This will improve the chimney draft and reduce the possibility of small amounts of smoke coming into the room when the doors are opened.
4. Empty the ashes regularly. Do not allow ashes to build up. Dispose of hot ashes properly (see Note 13, page 3).
5. Please keep hearth area clean and free from small debris such as bark, etc. The fan on this unit could possibly pull these particles into the chamber surrounding the firebox! These particles could ignite and be blown out the hot air outlets creating a fire hazard.

OPERATING TIPS

This heater is designed to give you the maximum heat output per pound of wood. The tips given here are based on information gathered over the past few years and are offered to ensure you receive the best performance possible from your unit.

KEY CONTROLS:

- 1) The DAMPER is one of the most important controls you have on this unit. If used properly, it

can make a major difference in the performance of your unit. When initial fire is started, the damper should be toward the open position (handle pushed back). As the unit heats up and the fire begins burning vigorously, the damper should be pulled toward the closed position (handle pulled forward). BE SURE DAMPER is fully open before opening doors.

- 2) The AIR INLET CONTROLS located on each door are another key factor in the performance of your unit. These can be set at many different settings depending upon the amount of heat desired.
- 3) The BLOWER SYSTEM is the other key factor in the performance of your unit. It should be set according to the amount of heat desired in the various firing modes.

MODES OF OPERATION:

- 1) LOW FIRE MODE (OVERNIGHT): This mode of operation is desirable for long periods of low heat. The (3) key controls listed above would be set as follows:
 - a) DAMPER—half closed to entirely closed position.
 - b) AIR INLETS—closed to slightly open position.
 - c) BLOWER—"automatic" setting
- 2) MEDIUM FIRE MODE:
 - a) DAMPER—half closed/open
 - b) AIR INLETS—half closed/open
 - c) BLOWER—automatic or manual setting
- 3) HIGH FIRE MODE:
 - a) DAMPER—half to fully open
 - b) AIR INLET—fully open
 - c) BLOWER—manual or automatic.

By experimenting with the (3) key controls listed above, you can find the best combination for your particular needs. The various firing modes listed above are for general information in helping you set the unit to your desired heating needs.

MISCELLANEOUS TIPS:

- 1) In some cases, it has been found that by placing wood in the unit from front to back (18" length required) instead of side to side (22" length), the unit will heat more effectively.

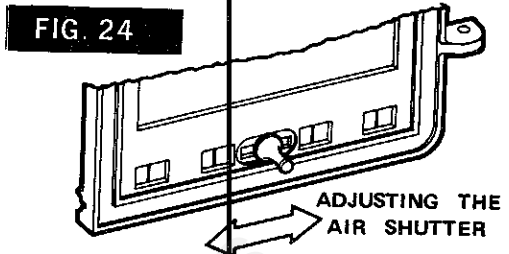
- 2) Again, the damper is one of the most important controls on this unit. Its main purpose is to allow you to keep heat in the firebox instead of allowing it to go out the flue. By experimenting with various damper positions, you can find the best position for your particular heating needs.

- 3) It is recommended that the blower be turned off when opening and closing the doors. This will prevent smoke from being blown into the room and will also keep hot air from being blown directly on your hands.

WARNING
Fireplace inserts equipped with doors should be operated only with doors fully open or doors fully closed. If the doors are left partly open, gases and flames may be drawn out of the fireplace insert frontopening, creating risks and hazards from both fire and smoke.

CAUTION
Never use gasoline, gasoline-type lantern fuel, kerosene, charcoal lighter fluid, or similar liquids to start or "freshen up" a fire in this heater. Keep all such liquids well away from the heater while it is in use.

CAUTION
OVERFIRING OF THE HEATER MAY CAUSE A HOUSE FIRE. IF A UNIT OR CHIMNEY CONNECTOR GLOWS, YOU ARE OVERFIRING.



chimney maintenance

Creosote and Soot - Formation and Need for Removal

When wood is burned slowly, it produces tar and other organic vapors, which combine with expelled moisture to form creosote. The creosote vapors condense in the relatively cool chimney flue of a slow-burning fire. As a result, creosote residue accumulates on the flue lining. When ignited this creosote makes an extremely hot fire.

When coal is burned, the products of combustion combine with moisture to form a soot residue which accumulates on the flue lining. When ignited, this soot makes an extremely hot fire.

The chimney should be inspected at least twice monthly during the heating season to determine if a creosote or soot build up has occurred.

If creosote or soot has accumulated it should be removed. Failure to remove creosote or soot may

cause a house fire, creosote may be removed by using a chimney brush or other commonly available materials.

Chimney fires burn very hot. If the chimney catches fire, immediately call the fire department, then reduce the fire by closing the inlet air control. Pour a large quantity of coarse salt, baking soda or cool ashes on top of the fire in the firebox.

CAUTION:
A chimney fire may cause ignition of wall studs or rafters which you thought were a safe distance from the chimney. If you have a chimney fire, have your chimney inspected by a qualified person before using again.

NOTE
A draft reading of .05 to .06 w.c. is suggested for proper burning of this unit when using wood or bituminous coal as fuel. When using anthracite coal, this draft reading is a minimum reading.

service hints

Do not expect a heater to draw. It is the chimney that creates the draft. Smoke spillage into the house or excessive build up of water or creosote in the chimney are warnings that the chimney is not functioning properly. Correct the problem before using the heater.

Possible causes are:

1. The chimney used for this heater must not be used for any other appliance.
2. The chimney used for this heater must not be used to ventilate cellar or basement.
3. If there is a cleanout door at the base of the fireplace chimney, close it tightly.
4. If the chimney is remaining too cool, water will condense in the chimney and run back into the fireplace. Creosote formation will be rapid and may block the chimney. Operate the heater at a high enough fire to keep the chimney warm preventing condensation.
5. If the chimney does not seem to draw or if

smoke spills into the house from around the trim, be sure that the trim gasket is sealing tightly against the fireplace front.

6. If the fire burns well but sometimes smokes or burns slowly, it may be caused by the chimney top being lower than another part of the house or a nearby tree. The wind blowing over a house or tree falls on top of the chimney like water over a dam, beating down the smoke. The top of the chimney should be at least 2 feet higher than any point of the roof within 10 feet. (Fig. 12)

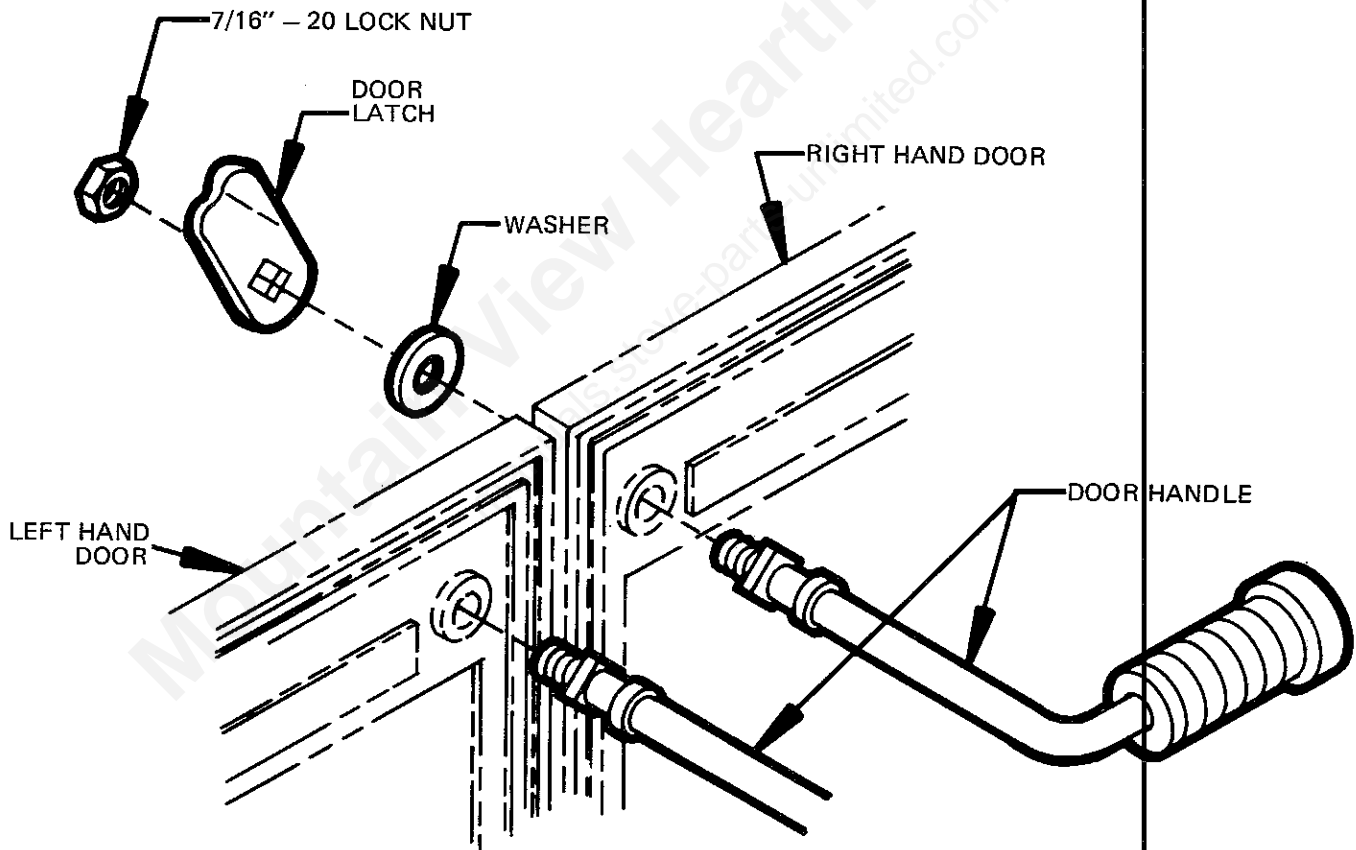
Glass Cleaning - To clean the glass in your heater, wait until it has cooled. Spray the glass lightly with a mild oven cleaner. Follow instructions of the cleaner manufacturer.

Caring For Painted Parts - The paint baked onto the steel or iron is very durable but it will not stand rough handling or abuse. When installing your heater, use care in handling. Clean with soap and warm water when heater is not hot. DO NOT use any acids or scouring soap as these wear and dull the finish. PAINT DISCOLORATION WILL OCCUR IF THE HEATER IS OVERFIRED. FOLLOW OPERATING INSTRUCTIONS CAREFULLY.

Door Handle Replacement Instructions

1. Remove handle(s), washer(s), door latch and 7/16" nut(s) from door(s).
2. Assemble right hand door handle as shown in Fig. 15. Slide handle into hole at the top of door. Add (1) washer and latch (making sure handle is horizontally — 3 o'clock position, latch will be 30° off of vertical centerline of hole — 11 o'clock position; bent part of latch will be on the right when looking at insert from front). Next, add (1) 7/16"-20 nut onto threaded shaft of handle and tighten.
3. When facing the front of the insert, the left hand and right hand doors are to be mounted on the hinge pad rods that are located on the front of the insert, by sliding the door hinge pads that are on the door over the rods. The left hand door is mounted to the left hand hinge pad rods and the right hand door is mounted to the right hand hinge pad rods.

NOTE: BOTH HANDLES ARE TO FIT HORIZONTALLY WHEN BOTH DOORS ARE CLOSED ON UNIT AS SHOWN IN FIG. 1, and 25.



NOTE

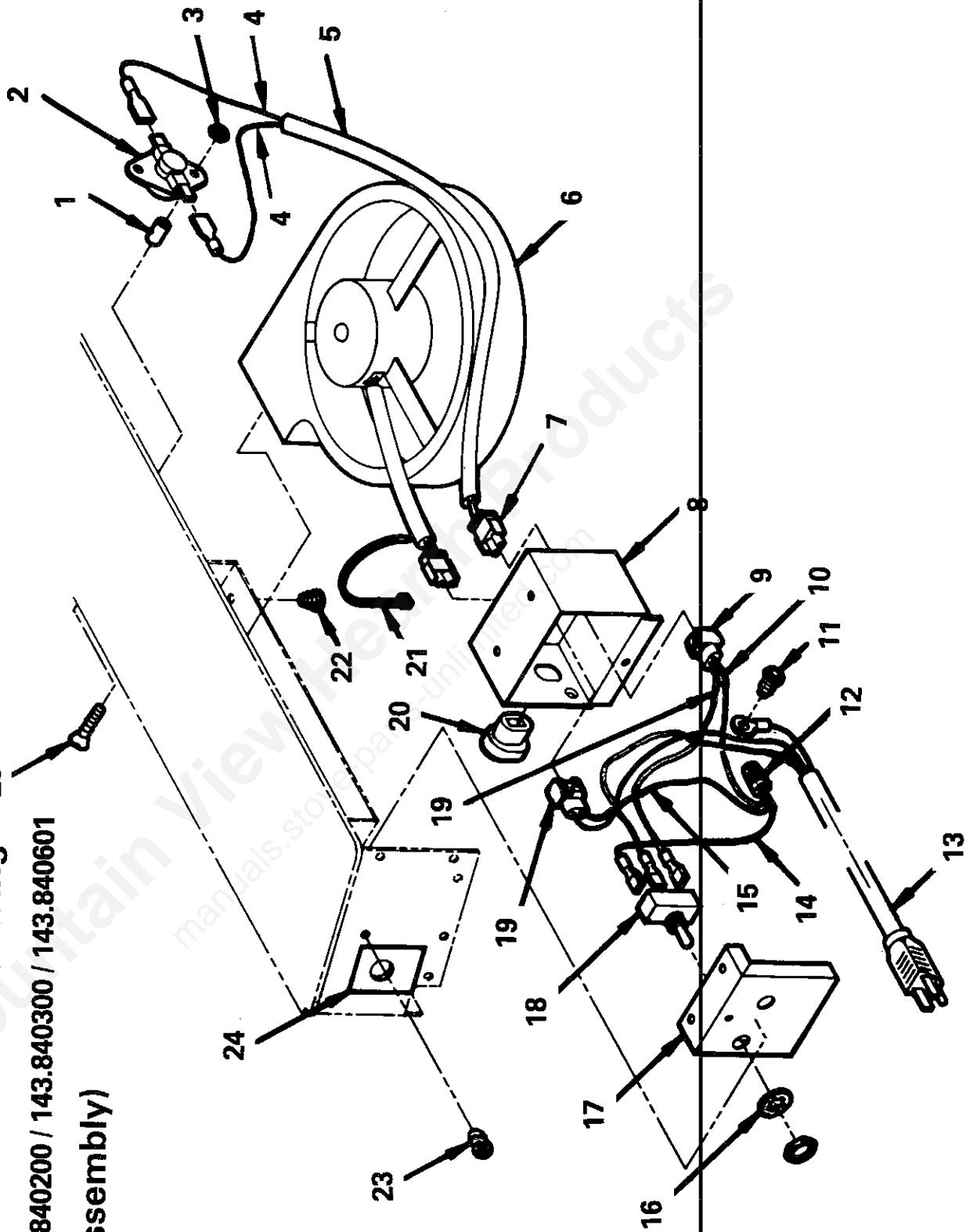
During opening and closing of the doors of this insert, it may seem that the fit of the doors are "too tight." As the insert is fired, the gasketing "settles" or "seats" itself in the doors. The tight fit at the factory and before the insert's initial firing is to insure a good seal after the gasketing "settles."

repair parts

Forester Insert and Freestanding 25

MODELS 143.840200 / 143.840300 / 143.840601

(Blower Assembly)



repair parts

Forester Blower Assembly

Models 143.840200 / 143.840300 / 143.840601

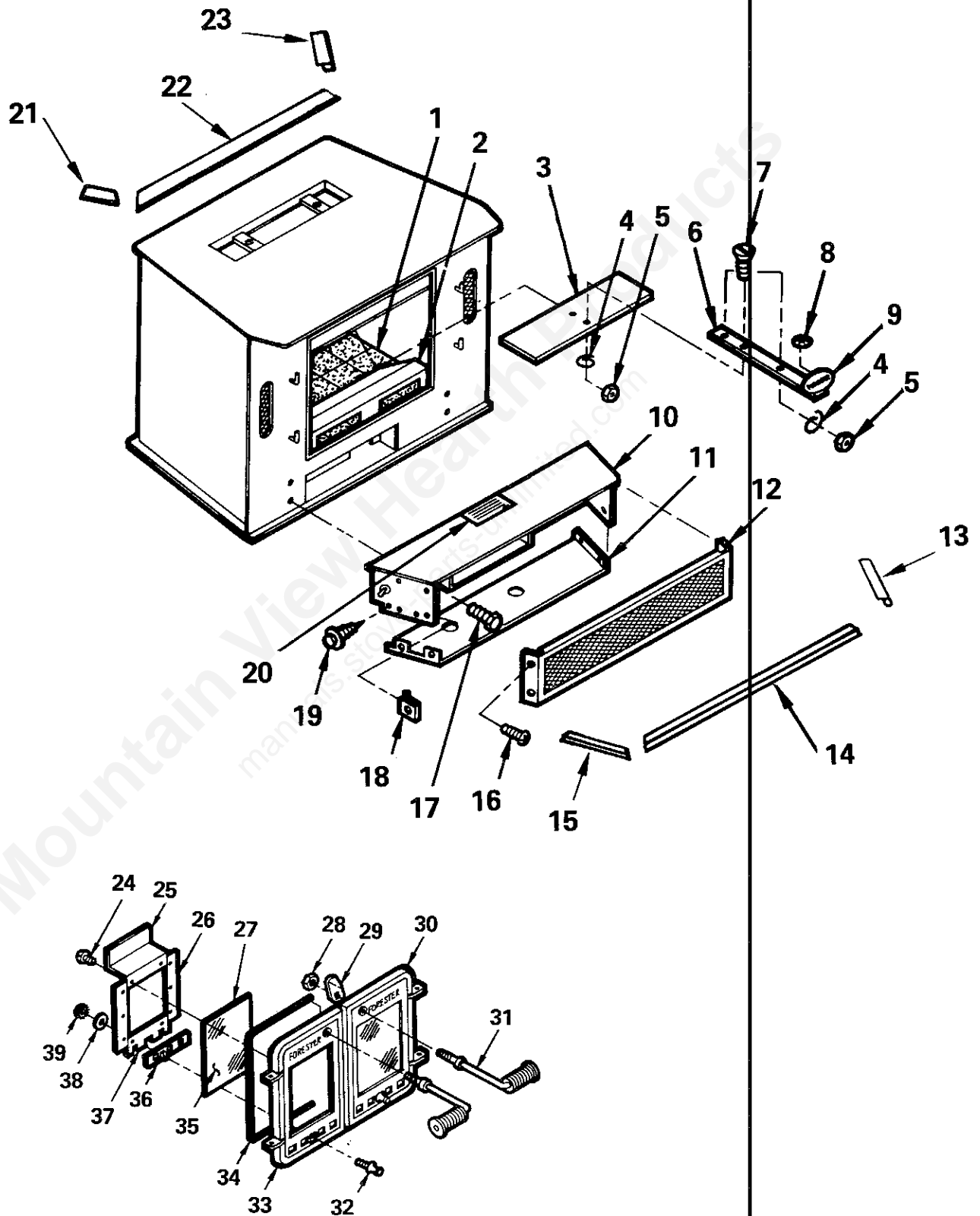
Key No.	Part No.	Description
1	83848	Spacer, (2 Req'd.)
2	80100	Thermostat
3	83234	Hex Nut, #8-32 (2-Req'd.)
4	80122	Jumper Wire (2 Req'd)
5	80120	Vinyl Tubing
6	67822	Blower Assembly
7	80092	Male Connector (2 Req'd.)
8	22061	Box, Control
9	80094	Connector, Female ** (2-Req'd.)
10	80119	Wire, Jumper
11	83220	Screw, Thread Cutting
12	80006	Nut, Wire
13	80116	Cord, Power Supply
14	80118	Wire, Jumper
15	80151	Wire, Jumper
16	83240	Washer, Lock (Internal Tooth)
17	22062	Cover, Control Box
18	80004	Switch, Toggle
19	80117	Wire, Jumper
20	80109	Bushing, Strain Relief
21	80123	Tie, Cable (2-Req'd.)
22	83245	Screw, Sheet Metal (10A x 3/8 HX W HD serrated) (2 Req'd.)
23	83222	Screw, Sheet Metal (10B x 3/8 HX W HD serrated) (2 Req'd.)
24	85444	Label, Blower Control
25	83235	Screw, Machine (# 8 - 32 x 1 SL FH HD) (2 Req'd.)

** Includes two terminals per connector

repair parts

Forester Insert and Freestanding

Model Nos. 143.840200 / 143.840300 / 143.840601



repair parts

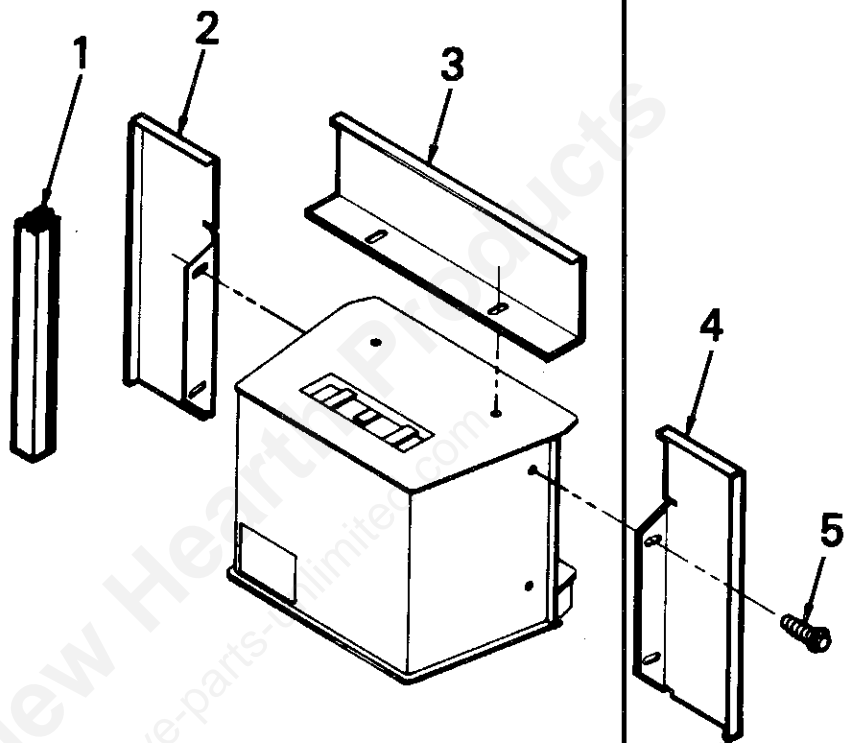
Model Numbers 143.840200 / 143.840300 / 143.840601

Key No.	Part No.	Description
1	89066	Firebrick (10 Req'd.)
2	22307	Manifold, Air
3	22049	Damper, Flue Outlet
4	83002	Washer, Lock 1/4 (split) (3 Req'd.)
5	83072	Nut, Hex - 1/4" - 20 (3 Req'd.)
6	22048	Arm, Damper Adjustment
7	83181	Screw, Machine - 1/4 - 20 x 3/4 SL FL HD (3 Req'd.)
8	83257	Fastener, Pushnut (2 Req'd.)
9	85388	Nameplate, "Forester"
10	68003	Plate, Hearth Extension
11	22308	Panel, Hearth Extension Bottom
12	67815	Hearth Extension Grill Assembly
13	89233	R/H Hearth Trim (Brass Plated)
14	89219	Hearth Trim (Brass Plated)
15	89224	L/H Hearth Trim (Brass Plated)
16	83005	Screw, Machine - #10 - 24 x 1/2 PH TR (4 Req'd.)
17	83236	Screw, Machine - 1/4 - 20 x 3/4 HZ F (4 Req'd.)
18	83192	Nut, Clip (#10 - 24) (4-Req'd.)
19	83166	Screw, Sheet Metal - 10A x 1/2 SL HX BLK (6 Req'd.)
20	85442	Label, Hearth Extension
21	89221	L/H Cabinet Top Trim (Brass Plated)
22	89223	Cabinet Top Trim (Brass Plated)
23	89222	R/H Cabinet Top Trim (Brass Plated)
24	83202	Screw, Machine - #10 - 24 x 3/8 PH RD PLN (20 Req'd.)
25	21947	Retainer, Glass Top (2 Req'd.)
26	21781	Retainer, Glass Side (4 Req'd.)
27	88047	Gasket, Glass (2 Req'd.)
28	83243	Nut, Lock - 7/16" - 20 NF (Thin-Top) (1-Req'd.)
29	22083	Latch, Door
30	22315	Door, Right Hand (For Glass Inset)
31	89189	Handle, Door (2 Req'd.)
32	40025	Knob, Draft Control (2 Req'd.)
33	22313	Door, Left Hand (For glass Inset)
34	22319	Gasket, Rope (1/2") 36" long (2-Req'd.)
35	89155	Glass (8" x 10") (2 Req'd.)
36	22314	Slide, Draft (2 Req'd.)
37	22316	Retainer, Glass Bottom (2 Req'd.)
38	83091	Washer, Flat (#10) (2 Req'd.)
39	83244	Nut, (Keys #10-24) F (2 Req'd.)
*	68004	Complete L/H Door Assembly
*	68005	Complete R/H Door Assembly
*	85493	Owner's Manual (F642-4386)
*	83236	Leveler / Roller
*	67796	Log Retainer

* Not Shown

Forester Fireplace Insert

Model 143.840601



repair parts

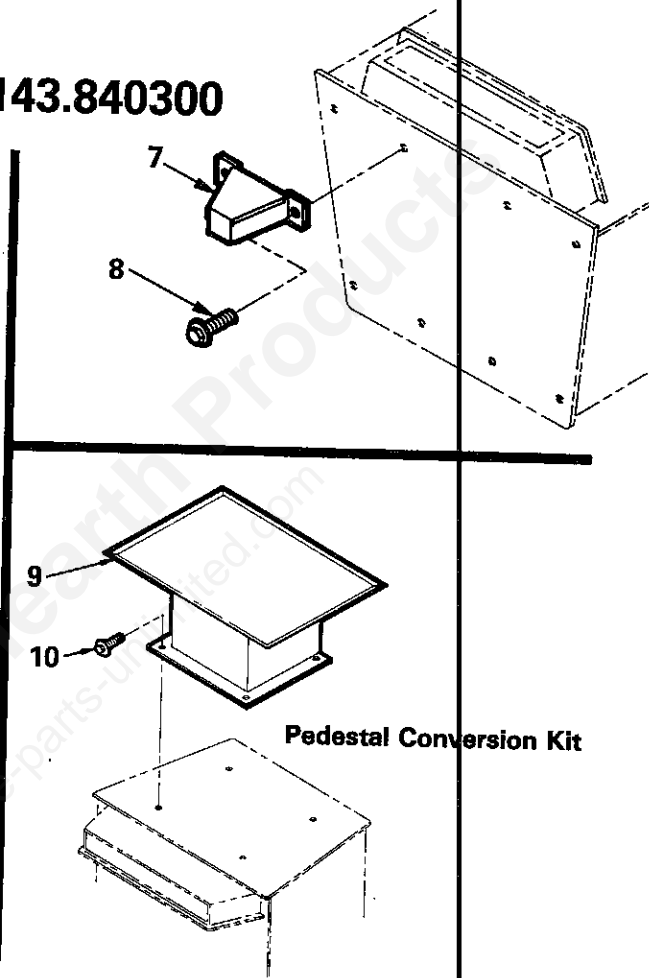
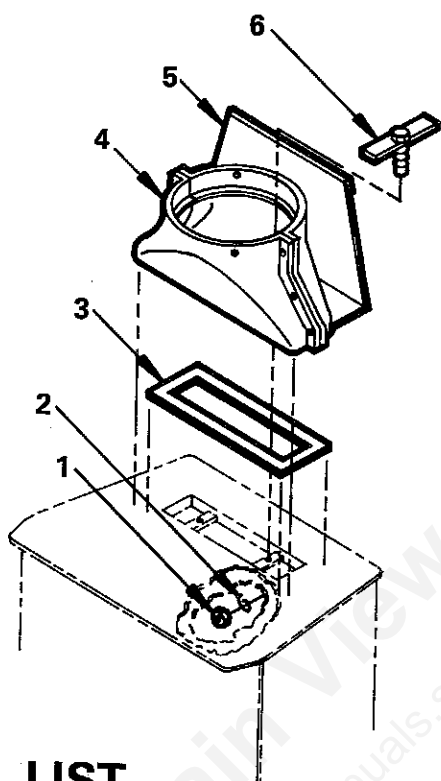
Key	Part No. 42MB	Description
1	88055	Gasket (10' Roll)
2	67818	Trim, R/H
3	67816	Trim, Top
4	67817	Trim, L/H
5	83236	Screws, Thread cutting 1/4-20 x 3/4 HX W (Type F) (6 Req'd.)
*	88056	(Cement, Furnace (4 oz. Tube)(Optional not supplied with kit)
*	89185	Drill, Twist

* Not Shown

Forester Freestanding Room Heater

repair parts

Model Number 143.840200 / 143.840300



PARTS LIST

Key	Part No.	Description	Qty.
1	83238	Nut, Hex 3/8 - 16	2
2	83237	Washer, Lock 3/8 (split)	2
3	88054	Gasket, Flue	1
4	67921	Flue Adapter Assembly (8")	1
5	22205	Shield, Flue Adapter	1
6	67920	Flue, Tie-Down	2
7	67840	Legs	4
8	83236	Screws, Thread Cutting 1/4 - 20 x 3/4 HX W (Type F)	8
9	67924	Base Pedestal	1
10	83236	Screws, Thread Cutting 1/4 - 20 x 3/4 HX W (Type F)	4
*	89185	Drill, Twist (Black Type F) (7/32" dia.)	1

* Not Shown

Sears

**owners
manual**

MODEL NUMBER

143.840200

143.840300

143.840601

HOW TO ORDER

REPAIR PARTS

TELL SEARS YOU

WANT IT

INSTALLED ---

THEN RELAX

Forester Room Heater

Now that you have purchased your Forester Room Heater, should a need ever exist for repair parts or service, simply contact any Sears Service Center. Be sure to provide all pertinent facts when you call or visit.

The Model Number will be found on the nameplate located on the inside of the back on the hearth extension of the insert. Always mention the Model Number when requesting service or repair parts for your Insert.

WHEN ORDERING REPAIR PARTS, ALWAYS GIVE THE FOLLOWING INFORMATION AS SHOWN IN THIS LIST.

1. The PART NUMBER
2. The PART DESCRIPTION
3. The MODEL NUMBER: **143.840200**
143.840300
143.840601
4. The NAME OF ITEM:
Forester Room Heater

If the part you need is not stocked locally, your order will be transmitted to a Sears Repair Parts Distribution Center for quick handling.

When Sears arranges the installation, you can be sure the job is done right. We will arrange for professional workmanship . . . and we'll take care of the entire project. What's more, during installation you get insured protection . . . against property damage and also against accidents to workmen. All you have to do is talk to your Sears salesperson or call your nearest Sears store today for detailed information.