

Sears

owners  
manual

MODEL NUMBER  
143.840600



U. L. FILE NUMBER  
MH 10475

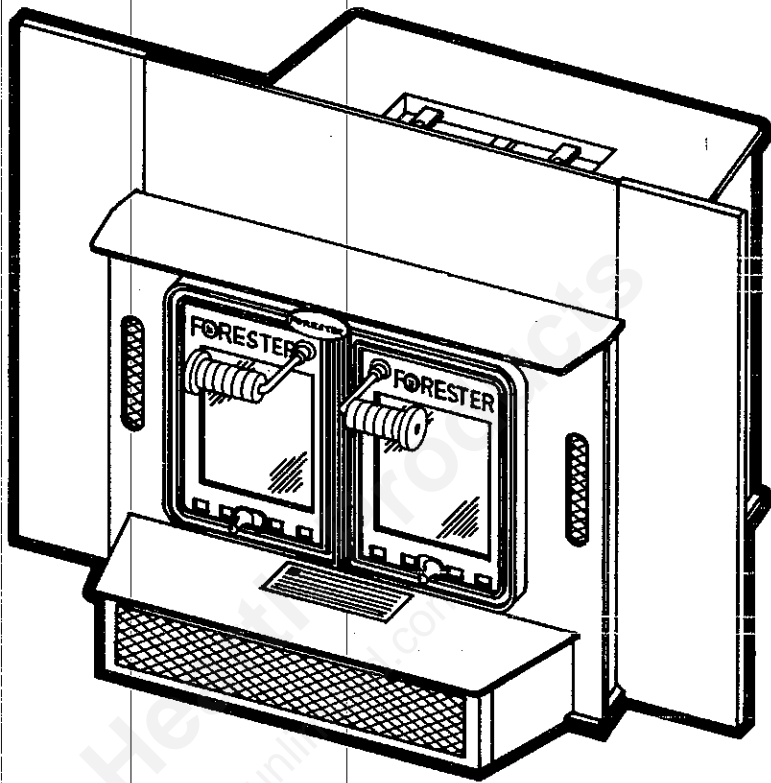
**CAUTION:**

Read All Instructions  
Carefully Before Starting the  
Installation or Operating the  
Insert.

Improper Installation  
Could Void  
Your Warranty

Do Not Use This Insert  
In Mobile Homes  
or Trailers

Save This Manual  
For Future Reference



# Forester Fireplace Insert

FOR INSTALLATION IN MASONRY  
FIREPLACES

- Assembly
- Installation
- Operation
- Repair Parts

**SAFETY NOTICE:**

If this Insert is not properly installed, a house fire may result. For your safety, follow the installation instructions. Contact local building or fire officials about restrictions and installation inspection requirements in your area.

Sears, Roebuck and Co., Chicago, Ill. 60684 U.S.A.

# introduction!

Please read our instructions before you install and use your new Wood Burning Fireplace Insert. This will help you obtain the full benefits from your heater.

If you want your insert professionally installed, contact your SEARS SALESPERSON. They will arrange for prompt, quality installation by SEARS AUTHORIZED INSTALLERS.

## SEARS INSTALLATION POLICY

All installation labor arranged by SEARS shall be performed in a neat, workman-like manner in accordance with generally accepted trade practices. Further, all installations shall comply with all local laws, codes, regulations, and ordinances. The customer shall also be protected, during installation, by insurance relating to property damage, workmen's compensation and public liability.

## SEARS INSTALLATION WARRANTY

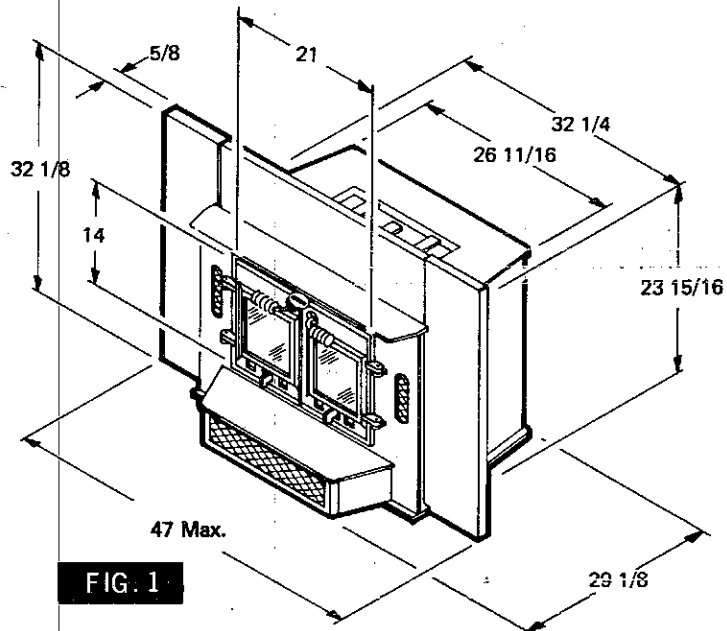
In addition to any warranty extended to you on the Sears merchandise involved, which warranty becomes effective the date the merchandise is installed, should the workmanship of any Sears arranged installation prove faulty within one year, Sears will, upon notice from you, cause such faults to be corrected at no additional cost to you.

## tools needed

### TOOLS

Pencil  
6 Foot Folding Rule or Tape Measure  
Electric Drill (1/4")  
Drill Bit (For Trim and Leveler/Roller Installation) 7/32" Dia.  
3/8" Box, Open End or Small Adjustable Wrench or 3/8" Socket w/Ratchet  
Gloves

## Forester Fireplace Insert Dimensions



# rules for safe installation and operation

Read these rules and instructions carefully.

**SAFETY NOTICE:** If this insert is not properly installed, a house fire may result. For your safety, follow the installation instructions. Contact local building or fire officials about restrictions and installation inspection requirements in your area.

- 1. CHECK YOUR LOCAL BUILDING AND FIRE CODES.** This installation must comply with their rulings.
- 2. INSTALL THE FIREPLACE INSERT** in a masonry fireplace only with a masonry chimney that is constructed in accordance to NFPA 211.. **DO NOT** install the Fireplace Insert in a factory-built metal fireplace (Zero Clearance). **DO NOT** install this insert in a mobile home or trailer. **DO NOT** connect a wood burning Fireplace Insert to an aluminum Type B gas vent. This is not safe and is prohibited by the National Fire Protection Association Code.
- 3. ALWAYS CONNECT** this insert to a chimney and vent to the outside. Never vent to another room or inside a building.
4. Be sure the masonry fireplace is clean and in a safe condition. Have the chimney inspected by the fire department or a qualified inspector. Your insurance company may be able to recommend a qualified inspector.
5. Make sure the masonry chimney is high enough to give a good draft.
6. **INSPECT THE CHIMNEY** twice monthly during the heating season for any deposit of creosote or soot. Such deposits must be removed. See **CHIMNEY MAINTENANCE**, Page 9.
7. **DO NOT BE ALARMED IF INSERT SMOKES UPON INITIAL FIRING.** The special paint used on this insert must be cured during initial firing. This smoking will occur only on initial firing.
8. **CAST IRON PARTS MUST BE "SEASONED" TO AVOID CRACKING. BUILD ONLY SMALL FIRES DURING THE FIRST FEW DAYS OF USE.**
9. **TO PREVENT INJURY**, do not allow anyone to use this insert who is unfamiliar with the correct operation of the insert.
10. **FOR ADDITIONAL INFORMATION** on using your Fireplace Insert safely, obtain a copy of the National Fire Protection Association (NFPA) publication "Using Coal and Wood Stove Safely" NFPA No. HS-10-1978; and, "Chimneys, Fireplaces, and Solid Fuel Burning Appliances" NFPA No. 211-1980. The address of NFPA is Batterymarch Park, Quincy, MA 02269.
11. **DISPOSAL OF ASHES** - Ashes should be placed in a metal container with a tight fitting lid. The closed container of ashes should be placed on a noncombustible floor or on the ground, well away from all combustible materials, pending final disposal. If the ashes are disposed of by burial in soil or otherwise locally dispersed, they should be retained in the closed container until all cinders have thoroughly cooled.
12. **OBSERVE CLEARANCES** to combustible materials specified in this manual to avoid a fire hazard.
13. The metals used in construction of the insert has a light coating of oil. This could give off smoke and/or odors when insert is used for the first couple of times. This should disappear after a short period of time. Once this burn-off has occurred, it should not reoccur
14. The firebox walls in this insert may become slightly distorted over a period use. This slight distortion does not affect the operation of the insert.

**UNLOADING TIPS** The Insert has a total weight of approximately 350 lbs. Some tips on how to best get this insert to the desired installation location are as follows:

1. Remove doors from front of insert by lifting straight up when doors are open.
  2. Remove firebrick and air manifold from inside of firebox.
  3. Remove front grill on hearth assembly by loosening the (4) phillips head screws (2 on each side). (This is highly recommended to keep from bending this grill during handling).
- The above steps will take approximately 70 - 75 lbs. of weight out of the insert and should better facilitate locating the unit for installation.

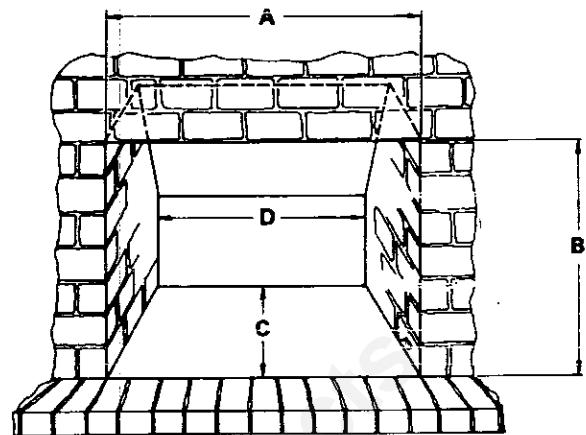
**CAUTION:** Do not touch the metal or glass surfaces of the insert until it has thoroughly cooled.

# locating the fireplace Insert

The Fireplace Insert is to be located in an existing solid masonry fireplace. This fireplace should be constructed per NFPA 211. **DO NOT INSTALL THIS FIREPLACE INSERT IN A FACTORY-BUILT METAL OR ZERO CLEARANCE FIREPLACE.**

The fireplace must have a masonry chimney with an approved flue tile liner. Inspect the chimney carefully to be sure that it is clean and that the tile and masonry is in a safe condition.

Measure the fireplace width, height and depth as shown in Fig. 2 and the following Table. The fireplace opening dimensions must fall within the dimensions shown in this Table for proper and safe installation.



**FIG. 2** Fireplace Opening Dimensions

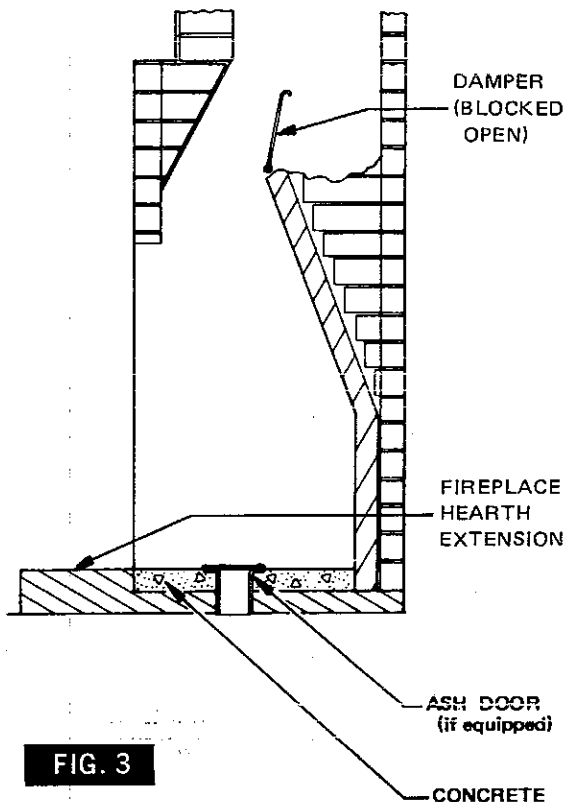
FIREPLACE OPENING DIMENSIONS	FIREPLACE INSERT	
	MORE THAN	LESS THAN
A	32½"	47"
B	24"	31"
C	16"	--
D	27"	--

## installation instructions

- DAMPER** - The damper in the masonry fireplace must be removed or blocked open. The handle for the damper should be completely removed so that it cannot accidentally cause the damper to close when the Fireplace Insert is installed. (See Fig. 3).
- LEVELING** - The Fireplace Insert must be level when it is installed to assure a uniform burn and to facilitate a proper fit of the trim to the front of the masonry fireplace. In addition to being level, the Fireplace Insert should be flush with the hearth extension so that the Fireplace Insert can easily slide into or out of the fireplace opening. A method is shown in Fig. 3 for making the Fireplace Insert level and flush with the hearth extension:

**FIREPLACE LEVELING METHOD** - If the bottom of your present fireplace is uneven or is lower than the hearth extension, it may be filled with ready mixed concrete. By mixing the concrete a little on the wet side, it will flow and be virtually self leveling. See page 5 for use and installation of Leveler/Roller for Fireplace Insert Leveling Method.

If you have an ash cleanout door, it should be lifted enough to sit flush with the new fireplace hearth.



**FIG. 3**

# Minimum Clearances To Combustible Surfaces

The clearances shown below in Fig. 4 must be maintained between the edge of the Fireplace Insert and decorative wooden mantels or mantel supports. If the wood trim or mantel of your fireplace is closer to the insert than these dimensions, they must be moved to at least the dimensions shown. Failure to observe these clearances could result in ignition of the mantel or wood trim.

The brick or stone hearth extension of your fireplace

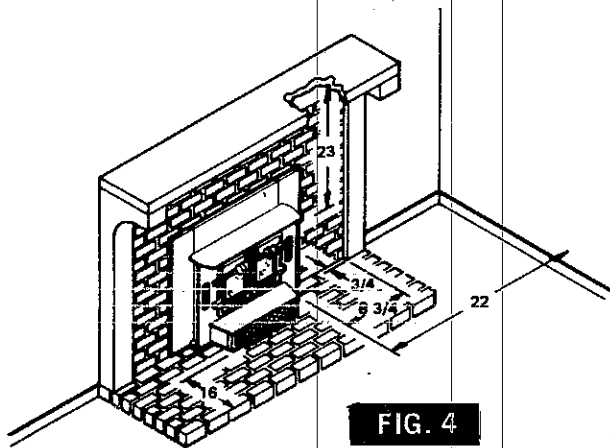


FIG. 4

must extend a minimum of 16" in front of the Fireplace Insert. Clearance to any combustible wall must be a minimum of 22" as shown in Fig. 4.

**CAUTION**  
**KEEP FURNISHINGS AND OTHER COMBUSTIBLE MATERIALS AWAY FROM THE FIREPLACE INSERT.**

## IMPORTANT: (Fig. 5)

The distance from the fireplace front surface to the front edge of the insert top must be within the dimensions shown. Make sure the flue opening on the fireplace insert completely clears the lintel of the fireplace. This will insure a proper draft. (See Fig. 5).

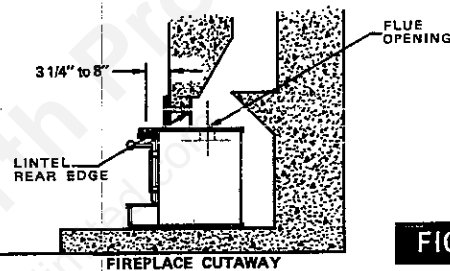


FIG. 5

## LEVELER/ROLLER INSTALLATION

**Fireplace Insert Leveling Method** — If the bottom of your present fireplace is uneven or is lower than the hearth extension, the Leveler/Roller should be installed. The Leveler/Roller will also allow for an easier installation of the insert, and an easier removal for chimney maintenance, (See Chimney Maintenance page 9).

### NOTE:

Take care when raising the rear of the insert as the hearth extension could strike the floor during installation of the insert. It is recommended that the front grill on the hearth extension be removed to prevent possible damage. (See Page 3 under "Unloading Tips").

1. Drill (2) holes in the back of the insert cabinet with a 7/32" diameter drill bit at the locations shown in Fig. 6.

**CAUTION: DO NOT** drill through the firebox otherwise smoke and combustible gases will leak into room when a fire is built in insert.

2. Using an adjustable or 3/8" wrench, secure the leveler/roller with the self threading screws and washers provided. See Fig. 7.

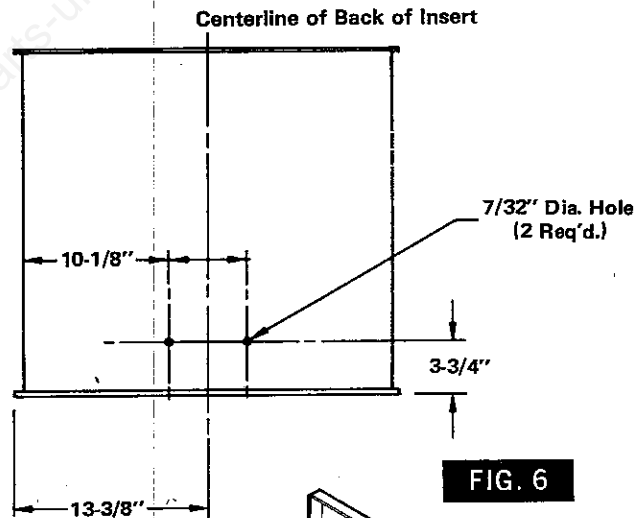


FIG. 6

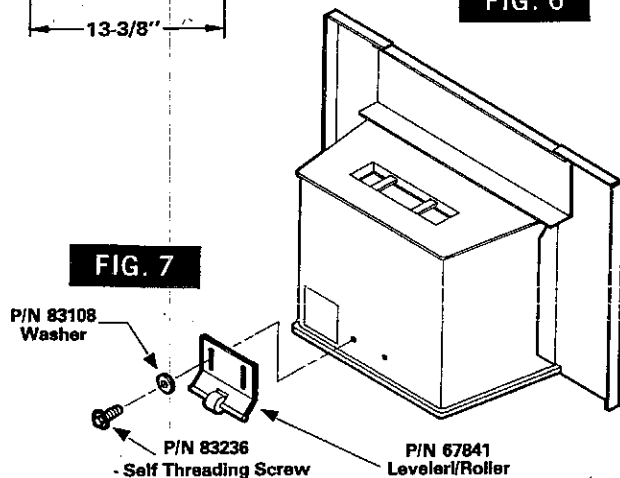


FIG. 7

# assembly instructions

After the fireplace hearth has been leveled, the Fireplace Insert should be slid into position. Carefully check to see that the flue opening in the Fireplace Insert is unobstructed and that the smoke leaving the Insert can rise directly into the fireplace chimney. (See Fig. 5)

The cast iron Fireplace Insert doors may be removed by lifting them off their hinges. Next remove the firebrick, air manifold and/or other loose objects. This will help reduce the weight of the Fireplace Insert, making it easier to slide in and out.

## TRIM ASSEMBLY

1. Slide the Fireplace Insert into the fireplace to the depth desired within the limits of installation. (See Fig. 5)
2. Place trim panels on the Insert taking care to insure panels fit flat with the face of the fireplace. The panels should be aligned with one another to prevent gaps between the panels.
3. Mark the Insert at the upper and the lower edge of the trim panels with a pencil.
4. Remove trim panels and slide the Insert out of fireplace about 12 inches.
5. Replace each panel to the location marked.
6. Using an electric drill and the 7/32" dia. drill bit, drill through the bracket mounting slot through the cabinet of the Insert.

**CAUTION: DO NOT DRILL THROUGH FIREBOX, OTHERWISE SMOKE AND COMBUSTIBLE GASES WILL LEAK INTO ROOM WHEN THE FIRE IS BUILT IN THE HEATER.**

7. Mount the trim panels using a 3/8" or adjustable wrench and the (6) 1/4-20 self threading screws provided. (Fig. 8).

## OPTIONAL

Using furnace cement, carefully run a bead of cement around the backside of the trim to seal all air leaks. (Fig. 10). (Cement Part No. 88056)

## GASKET INSTALLATION

The adhesive backed gasket attaches to the back side of the trim that you've just installed. This gasket will seal against the brick front of your fireplace (Fig. 9 & 10).

1. Measure and cut the gasket material into three pieces. The two side pieces are 30 1/2" long. The top gasket is cut according to length required.
2. Carefully remove the backing from the top gasket and install it across the full width of the top trim.
3. Remove the backing from each side trim gasket and install them starting from the bottom and working up.
4. Slide the Fireplace Insert back into your fireplace until the gasket seals securely against the fireplace front.

**NOTE:** If your fireplace front is irregular preventing the gasket from completely sealing, please order additional gasket material. (Gasket Part No. 88055) It is important that the fireplace trim seal against the front of your fireplace to obtain proper draft and drawing in the chimney and to prevent heat loss when the Fireplace Insert is not in operation.

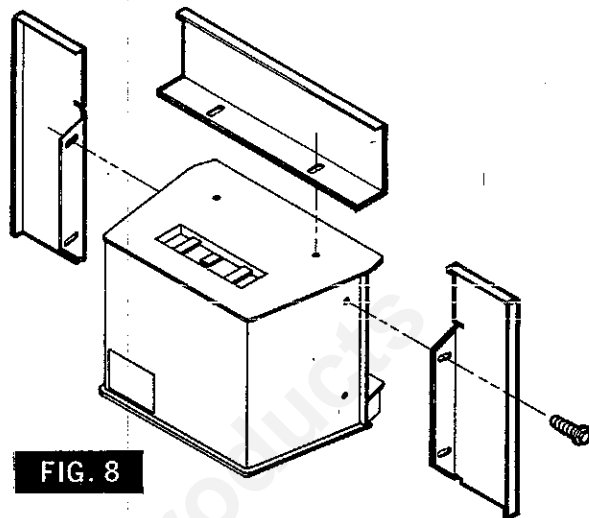


FIG. 8

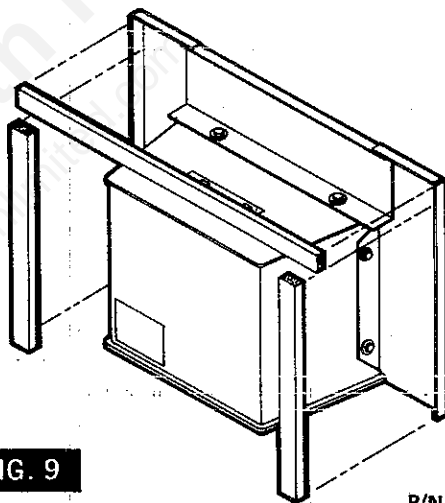


FIG. 9

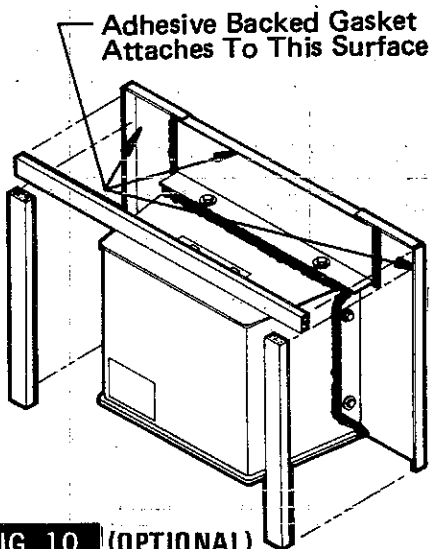


FIG. 10 (OPTIONAL)

# Operating Instructions and "Tips"

## GENERAL

### WOOD FUEL

When possible, use hardwood (16" to 22" in length) that has been split and air-dried for at least six months to obtain maximum burning efficiency.

#### CAUTION

When burning wood, Do Not elevate fire; build fire directly on hearth.

### LIGHTING INSTRUCTIONS FOR STARTING FIRE:

1. Open the air inlet shutter on each door (See Fig. 11).
2. Open the flue outlet damper fully. This can be done by pushing the damper arm all the way to the back of the insert. The damper handle is in front of the insert, just above the doors.
3. Open both doors and place paper and kindling (small pieces of wood) directly on hearth.
4. Light the fire and close the doors until the kindling has caught fire and is burning vigorously.
5. Open the doors and add split firewood as desired.
6. Burn insert with the flue-outlet damper and air inlet shutters fully open for the first 30 to 45 minutes of operation. This high fire mode heats the chimney and helps burn up the major portion of creosote forming compounds, thus helping to reduce the amount of creosote collecting in the chimney.

### CONTINUOUS/EXTENDED OPERATION:

1. The temperature in the room and the rate at which wood is burned can be controlled by adjustment of the air inlet shutters (Fig. 11) and the flue outlet damper. Close the air inlet shutters and/or the flue outlet damper partially or fully to reduce the rate of burn and temperature in the room. Open the air inlet shutters and/or the flue outlet damper to the fully open position to obtain maximum rate of burn and room temperature.

## BURNING OPERATION MODES:

- A. **High Fire Mode:** For maximum amount of heat output, operate insert with the flue outlet damper in the half open/half closed position and the air inlet shutters in the fully open position. This operating mode produces the least amount of creosote.
  - B. **Medium Fire Mode:** The flue outlet damper and the air inlet shutters may be operated in any position between the high and low fire modes. i.e. — flue outlet damper in the closed position with air inlet shutters fully opened, or flue outlet damper in the half open/half closed position with the air inlet shutters half open/half closed.
  - C. **Low Fire Mode:** For the minimum amount of heat output, operate insert with flue outlet damper and air inlet shutters in the fully closed positions. This will result in large amounts of creosote being deposited in the chimney. The advantage to the low fire mode is that the unit will hold a fire for a longer period of time. In "marginal" chimneys (old and/or leaky), it may be necessary to leave the air shutters and flue outlet damper fully open to maintain a good draft and fire.
2. Always open the flue outlet damper and the air shutters fully before opening the doors. This will improve the chimney draft and reduce the possibility of small amounts of smoke coming into the room when the doors are opened.
  3. To help keep formation of creosote down to a minimum, burn smaller amounts of wood on the high fire mode. Additional fuel should then be added in small amounts so as to give a more complete combustion and/or burning rate and a uniform room temperature.

#### NOTE

During the opening and closing of the doors of this insert it may seem that the fit of the doors are "too tight". As the insert is fired the gasketing "settles" or "seats" itself in the doors. The tight fit at the factory and before the inserts initial firing is to insure a good seal after the gasketing "settles".

( CONTINUED NEXT PAGE )

# Operating Instructions and "Tips" (Continued)

ONLY BY USING YOUR INSERT AND EXPERIMENTING WITH THE MANY DIFFERENT SETTINGS, YOU CAN ACTUALLY ARRIVE AT AN OPERATING MODE THAT BEST SUITS YOUR HEATING REQUIREMENTS AND NEEDS.

## BASIC OPERATING INSTRUCTIONS WHEN BURNING WOOD:

1. Empty the ashes regularly. DO NOT allow ashes to build up. Dispose of hot ashes properly (See Note 11, Page 3).
2. Please keep hearth area clean and free from small debris such as bark, etc. The fan on this unit could possibly pull these particles into the chamber surrounding the firebox! These particles could ignite and be blown out the hot air outlets creating a fire hazard.

### WARNING

Fireplace inserts equipped with doors should be operated only with the doors fully open or the doors fully closed. If the doors are left partly open, gases and flames may be drawn out of the fireplace insert front opening, creating risks and hazards from both fire and smoke.

### CAUTION

Never use gasoline, gasoline-type lantern fuel, kerosene, charcoal lighter fluid, or similar liquids to start or "freshen up" a fire in this insert. Keep all such liquids well away from the insert while it is in use.

### CAUTION

OVERFIRING OF THE INSERT MAY CAUSE A HOUSE FIRE. IF A UNIT OR CHIMNEY CONNECTOR GLOWS, YOU ARE OVERFIRING.

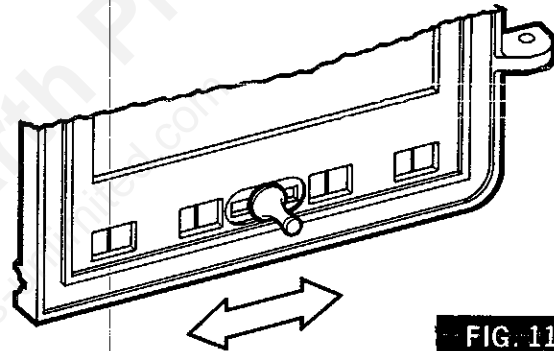


FIG. 11

ADJUSTING THE AIR SHUTTER

## Log Retainer Installation

### NOTE:

The Log Retainer should be installed when the insert has cooled or fire-resistant gloves must be worn.

### INSTALLATION

1. Open doors to widest position or remove firescreen.
2. Install log retainer on the hangers located just inside the door opening as shown in Figure 12.

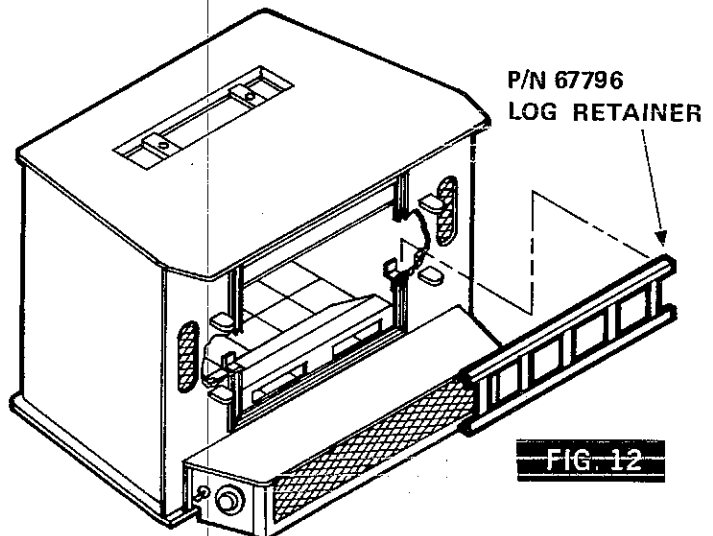


FIG. 12

# chimney maintenance

## Creosote and Soot - Formation and Need for Removal

When wood is burned slowly, it produces tar and other organic vapors, which combine with expelled moisture to form creosote. The creosote vapors condense in the relatively cool chimney flue of a slow-burning fire. As a result, creosote residue accumulates on the flue lining. When ignited this creosote makes an extremely hot fire.

When coal is burned, the products of combustion combine with moisture to form a soot residue which accumulates on the flue lining. When ignited, this soot makes an extremely hot fire.

The chimney should be inspected at least twice monthly during the heating season to determine if a creosote or soot build up has occurred.

If creosote or soot has accumulated it should be removed. Failure to remove creosote or soot may cause a house fire, creosote may be removed by using a chimney brush or other commonly available materials.

Chimney fires burn very hot. If the chimney catches fire, immediately call the fire department, then reduce the fire by closing the inlet air control. Pour a large quantity of coarse salt, baking soda or cool ashes on top of the fire in the firebox.

### CAUTION:

A chimney fire may cause ignition of wall studs or rafters which you thought were a safe distance from the chimney. If you have a chimney fire, have your chimney inspected by a qualified person before using again.

### NOTE

A draft reading of .05 to .06 w.c. is suggested for proper burning of this unit when using wood or bituminous coal as fuel. When using anthracite coal, this draft reading is a minimum reading.

## service hints

Do not expect an insert to draw. It is the chimney that creates the draft. Smoke spillage into the house or excessive build up of water or creosote in the chimney are warnings that the chimney is not functioning properly. Correct the problem before using the heater.

Possible causes are:

1. The chimney used for this insert must not be used for any other appliance.
2. The chimney used for this insert must not be used to ventilate cellar or basement.
3. If there is a cleanout door at the base of the fireplace chimney, close it tightly.
4. If the chimney is remaining too cool, water will condense in the chimney and run back into the fireplace. Creosote formation will be rapid and may block the chimney. Operate the insert at a high enough fire to keep the chimney warm preventing condensation.
5. If the chimney does not seem to draw or if

smoke spills into the house from around the trim, be sure that the trim gasket is sealing tightly against the fireplace front.

6. If the fire burns well but sometimes smokes or burns slowly, it may be caused by the chimney top being lower than another part of the house or a nearby tree. The wind blowing over a house or tree falls on top of the chimney like water over a dam, beating down the smoke. The top of the chimney should be at least 2 feet higher than any point of the roof within 10 feet.

**Glass Cleaning** - To clean the glass in your insert, wait until it has cooled. Spray the glass lightly with Sears glass cleaner, Stock No. 42-42510. Follow instructions on label of cleaner.

**Caring For Painted Parts** - The paint baked onto the steel or iron is very durable but it will not stand rough handling or abuse. When installing your insert, use care in handling. Clean with soap and warm water when insert is not hot. DO NOT use any acids or scouring soap as these wear and dull the finish. PAINT DISCOLORATION WILL OCCUR IF THE INSERT IS OVERFIRED. FOLLOW OPERATING INSTRUCTIONS CAREFULLY.

# blower operation

The blower assembly is equipped with a thermostat to automatically switch on the blower 25 to 35 minutes after firing the insert.

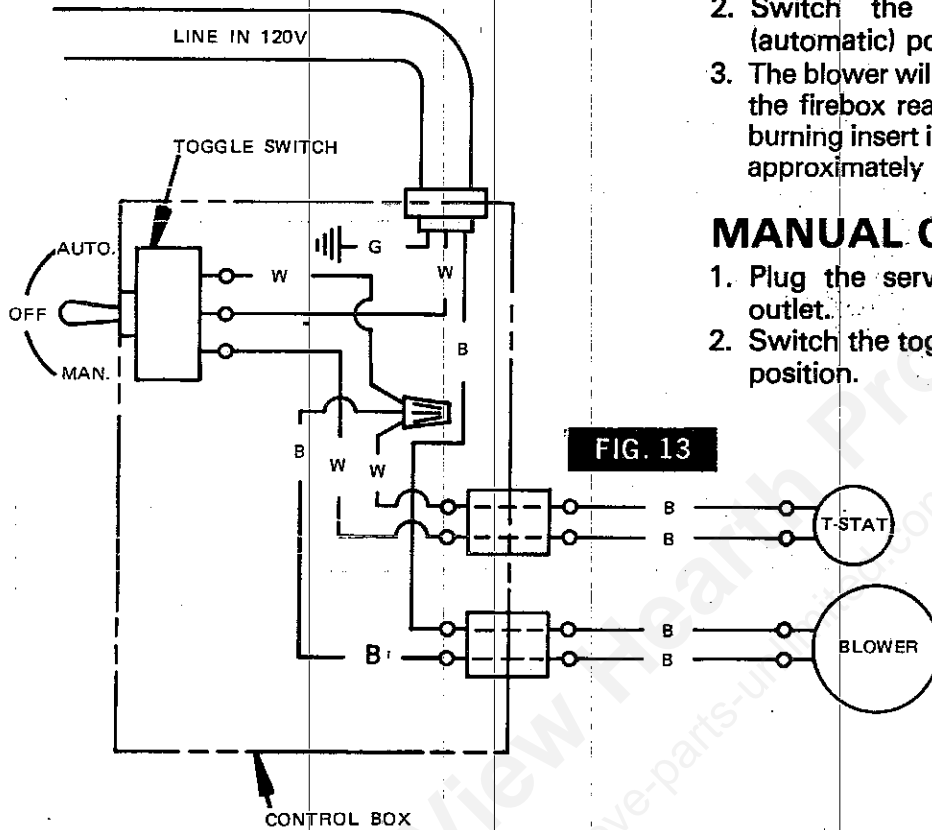


FIG. 13

B — BLACK  
W — WHITE

**WARNING**  
Route Power Supply Cord  
Away From Insert

## AUTOMATIC OPERATION

1. Plug the service cord into a 120V., 60 HZ outlet.
2. Switch the toggle switch to the auto (automatic) position.
3. The blower will switch "ON" automatically when the firebox reaches proper temperature. (When burning insert in the High Fire Mode this will take approximately 25 to 35 minutes).

## MANUAL OPERATION

1. Plug the service cord into a 120V., 60 HZ outlet.
2. Switch the toggle switch to the man. (manual) position.

## FIREBRICK PLACEMENT INSTRUCTIONS

1. Place (5) firebricks side by side with the 4-1/2" side facing the backwall of the firebox. (See Fig. 14).
2. Place the remaining (5) firebricks end to end with the first firebricks.
3. Install the air manifold with the square end tabs towards the front of the insert and seated down between the firebox front and firebrick. (Fig. 14).

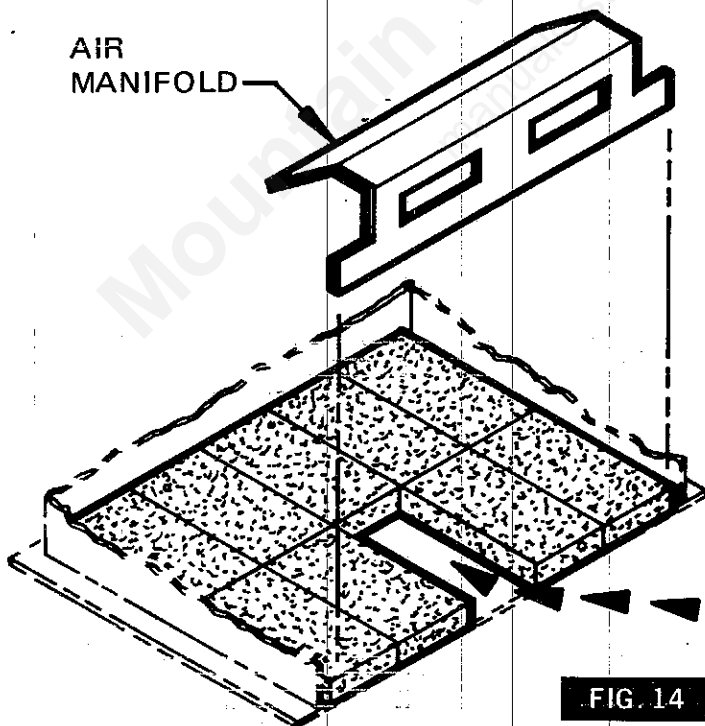


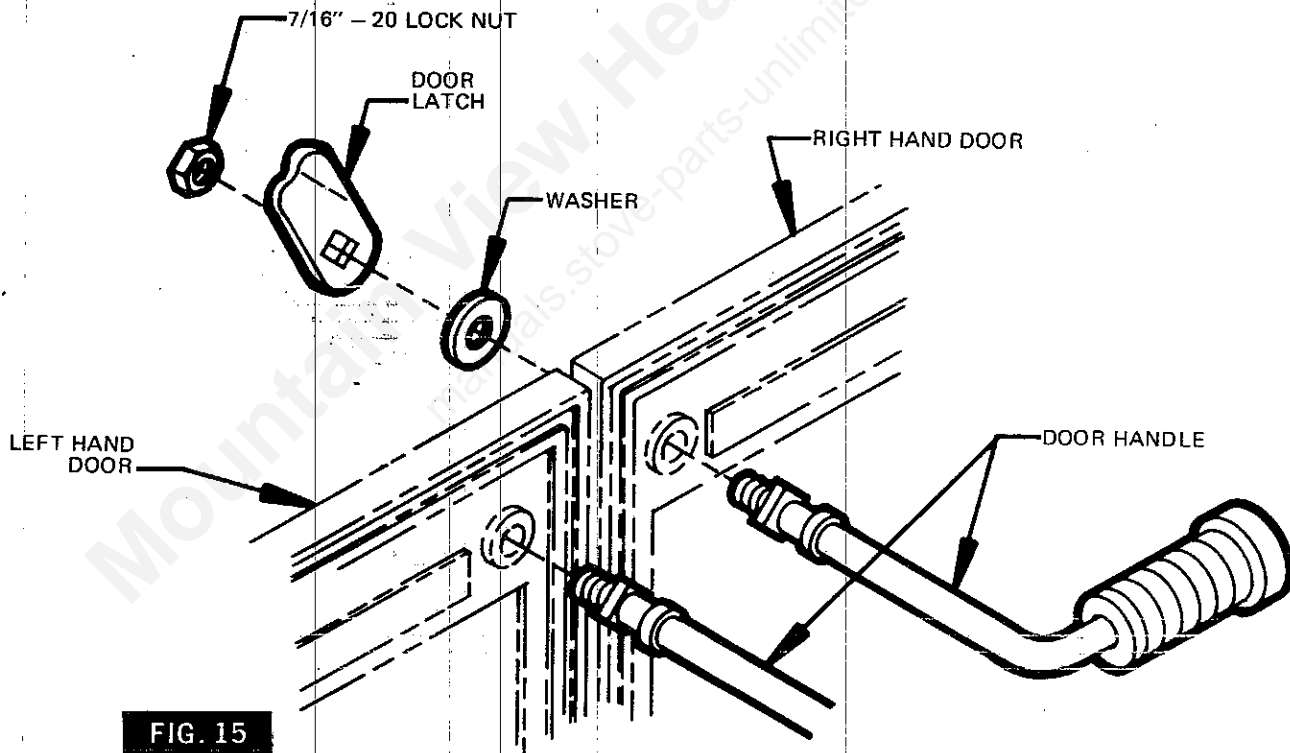
FIG. 14

P/N 89066  
FIREBRICK  
( 10 REQ'D. )

# Door Handle Replacement Instructions

1. Remove handle(s), washer(s), door latch and 7/16" nut(s) from door(s).
2. Assemble right hand door handle as shown in Fig. 15. Slide handle into hole at the top of door. Add (1) washer and latch (making sure handle is horizontally — 3 o'clock position, latch will be 30° off of vertical centerline of hole — 11 o'clock position; bent part of latch will be on the right when looking at insert from front). Next, add (1) 7/16"-20 nut onto threaded shaft of handle and tighten.
3. When facing the front of the insert, the left hand and right hand doors are to be mounted on the hinge pad rods that are located on the front of the insert, by sliding the door hinge pads that are on the door over the rods. The left hand door is mounted to the left hand hinge pad rods and the right hand door is mounted to the right hand hinge pad rods.

**NOTE: BOTH HANDLES ARE TO FIT HORIZONTALLY WHEN BOTH DOORS ARE CLOSED ON UNIT AS SHOWN IN FIG. 1, and 15.**

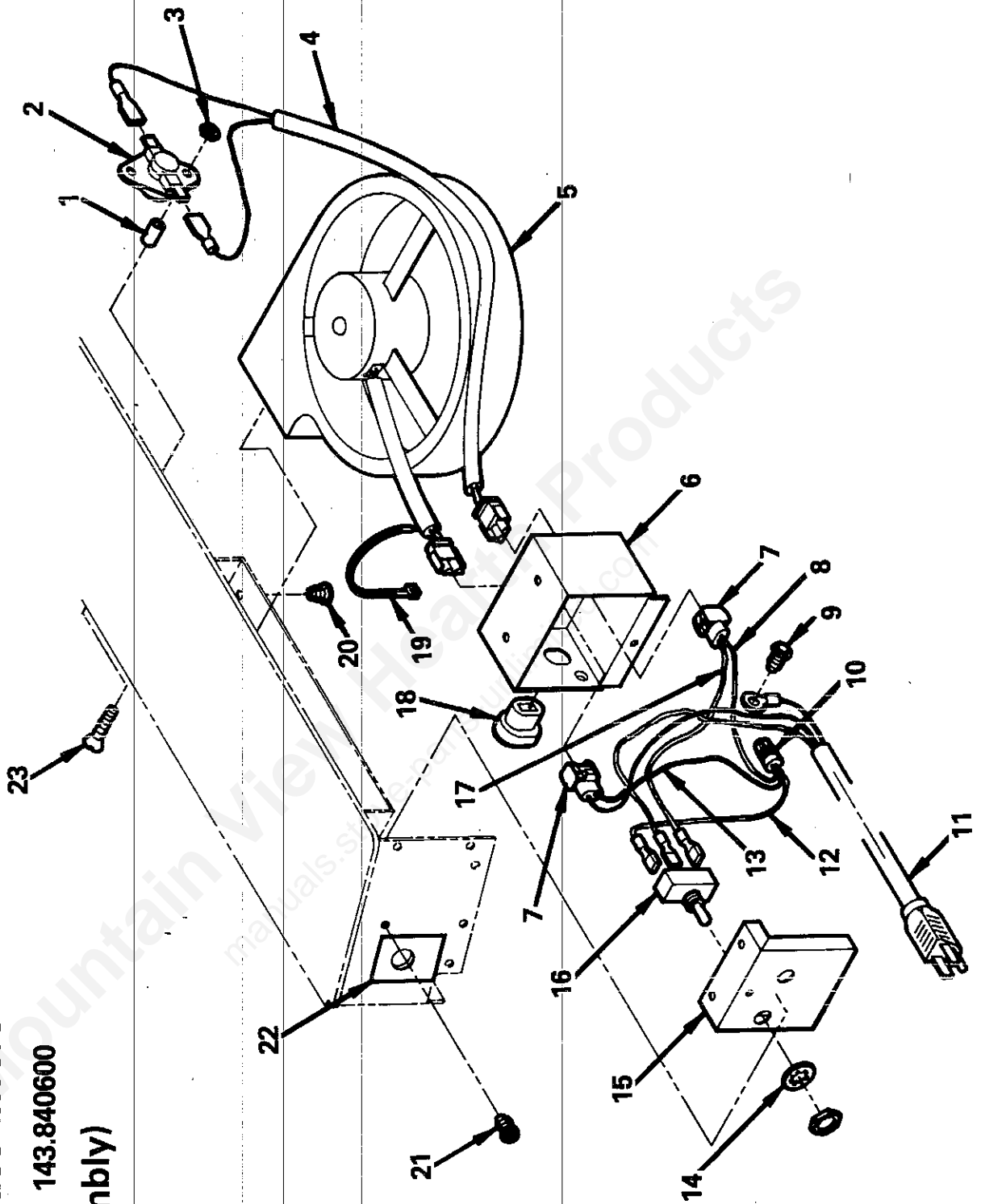


**FIG. 15**

## NOTE

During opening and closing of the doors of this insert, it may seem that the fit of the doors are "too tight." As the insert is fired, the gasketing "settles" or "seats" itself in the doors. The tight fit at the factory and before the insert's initial firing is to insure a good seal after the gasketing "settles."

**repair parts list**  
**Forester Fireplace Insert**  
**MODEL NUMBER 143.840600**  
**(Blower Assembly)**



# repair parts list

## Forester Fireplace Insert

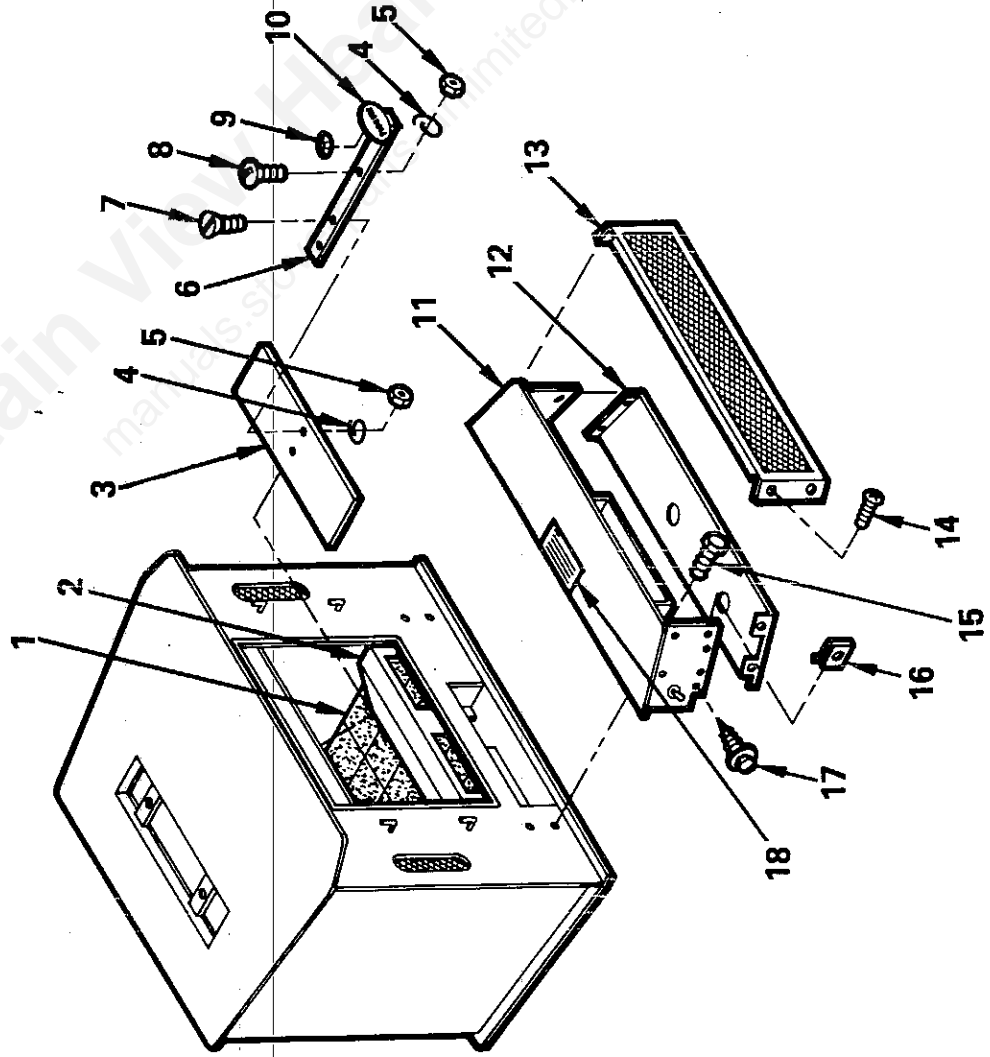
Model Number 143.840600

### Blower Assembly

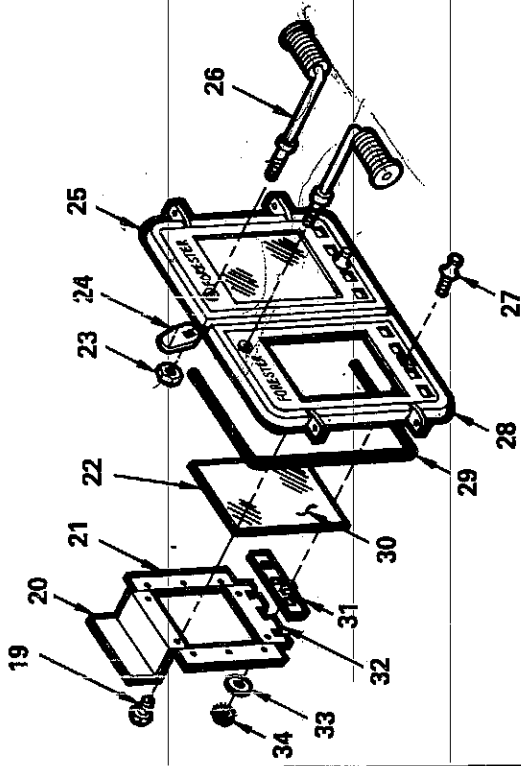
Key No.	Part No.	Description
1	83845	Spacer, (2 Req'd.)
2	80100	Thermostat
3	83234	Hex Nut, #8-32 (2-Req'd.)
4	67838	Wiring Harness
5	67822	Blower w/Motor
6	22061	Box, Control
7	80094	Connector, Female ** (2-Req'd.)
8	80119	Wire, Jumper
9	83220	Screw, Thread Cutting
10	80006	Nut, Wire
11	80016	Cord, Power Supply
12	80118	Wire, Jumper
13	80151	Wire, Jumper
14	83240	Washer, Lock (Internal Tooth)
15	22062	Cover, Control Box
16	80004	Switch, Toggle
17	80117	Wire, Jumper
18	80109	Bushing, Strain Relief
19	80123	Tie, Cable (2-Req'd.)
20	83245	Screw, Sheet Metal (10Ax3/8 HX W HD serrated) (2 Req'd.)
21	83222	Screw, Sheet Metal (10Bx3/8 HX W HD serrated) (2 Req'd.)
22	85444	Label, Blower Control
23	83235	Screw, Machine (# 8 - 32 x 1 SL FH HD) (2-Req'd.)

\*\* Includes Two Terminals Per Connector.

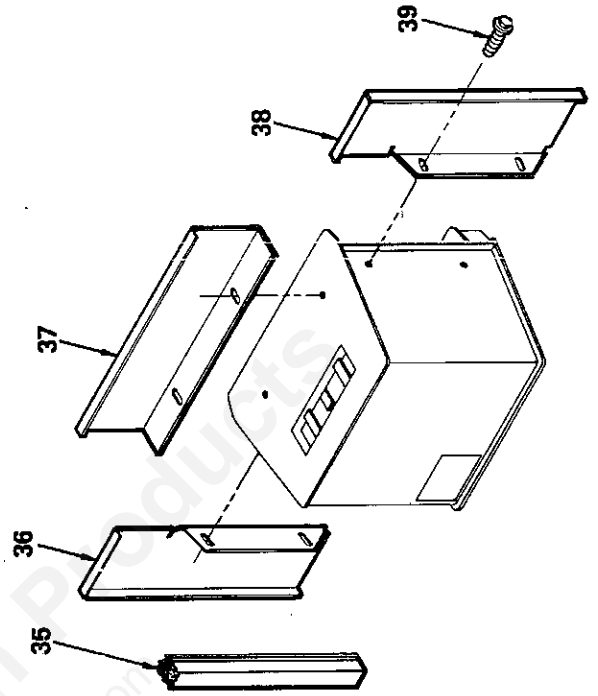
**repair parts list**  
**Forester Fireplace Insert**  
**MODEL NUMBER 143.840600**



**Door w/Glass Insert**



**Matte Black Trim**



# repair parts list

## Forester Fireplace Insert

### MODEL NUMBER 143.840600

Key No.	Part No.	Description
1	89066	Firebrick (10 Req'd.)
2	22307	Manifold, Air
3	22049	Damper, Flue Outlet
4	83002	Washer, Lock 1/4 (split) (3 Req'd.)
5	83072	Nut, Hex - 1/4"-20 (3-Req'd.)
6	22048	Arm, Damper Adjustment
7	83102	Screw, Machine - 1/4-20 x 1-1/4 SL FL HD (2-Req'd.)
8	83010	Screw, Machine (1/4 - 20 x 3/4" TR PH HD
9	83257	Fastener, Pushnut (2 Req'd.)
10	85388	Nameplate, "Forester"
11	22311	Plate, Hearth Extension
12	22308	Panel, Hearth Extension Bottom
13	67815	Hearth Extension Grill
14	83005	Screw, Machine - #10-24 x1/2 PH TR Black (4 Req'd.)
15	83188	Screw, Machine - 1/4-20 x 3/4 HZ F (4-Req'd.)
16	83192	Nut, Clip (#10-24) (4 Req'd.)
17	83166	Screw, Sheet Metal - 10A x 1/2 SL HX W BLK (6 Req'd.)
18	85442	Label, Hearth Extension
19	83202	Screw, Machine #10-24 x 3/8 PH RD PLN (20 Req'd.)
20	21947	Retainer, Glass Top (2 Req'd.)
21	21781	Retainer, Glass Side (4 Req'd.)
22	88047	Gasket, Glass (2 Req'd.)
23	83243	Nut, Lock - 7/16"-20 NF (Thin-Top) (2-Req'd.)
24	22083	Latch, Door
25	22315	Door, Right Hand (For Glass Inset)
26	89189	Handle, Door (2 Req'd.)
27	40025	Knob, Draft Control (2 Req'd.)
28	22313	Door, Left Hand (For Glass Inset)
29	22319	Gasket, Rope (1/2") 36" long (2-Req'd.)
30	89155	Glass (8" x 10") (2 Req'd.)
31	22314	Slide, Draft (2 Req'd.)
32	22316	Retainer, Glass Bottom (2 Req'd.)
33	83091	Washer, Flat (#10) (2 Req'd.)
34	83244	Nut (Keps - #10-24) F (2 Req'd.)
35	88055	Gasket, Insulation (Roll - 10 Ft.)
36	67818	Trim, R/H
37	67816	Trim, Top
38	67817	Trim, L/H
39	83236	Screw, Thread Cutting 1/4-20 x 3/4 HXW Type F (6 Req'd.)
*	85447	Owner's Manual (F642-5084)

\* Not Shown

**Sears**

**owners  
manual**

**MODEL NUMBER  
143.840600**

**HOW TO ORDER  
REPAIR PARTS**

**TELL SEARS YOU  
WANT IT  
INSTALLED ---  
THEN RELAX**

# Forester Fireplace Insert

Now that you have purchased your Forester Fireplace Insert, should a need ever exist for repair parts or service, simply contact any Sears Service Center and most Sears, Roebuck and Co. stores. Be sure to provide all pertinent facts when you call or visit.

The Model Number will be found on the nameplate located on the inside of the back on the hearth extension of the insert. Always mention the Model Number when requesting service or repair parts for your insert.

WHEN ORDERING REPAIR PARTS, ALWAYS GIVE THE FOLLOWING INFORMATION AS SHOWN IN THIS LIST.

1. The PART NUMBER
2. The PART DESCRIPTION
3. The MODEL NUMBER: **143.840600**
4. The NAME OF ITEM:

**Forester Fireplace Insert**

If the part you need is not stocked locally, your order will be transmitted to a Sears Repair Parts Distribution Center for quick handling.

When Sears arranges the installation, you can be sure the job is done right. We will arrange for professional workmanship . . . and we'll take care of the entire project. What's more, during installation you get insured protection . . . against property damage and also against accidents to workmen. All you have to do is talk to your Sears salesperson or call your nearest Sears store today for detailed information.

**Sears, Roebuck and Co., Chicago, Ill. 60684 U.S.A.**