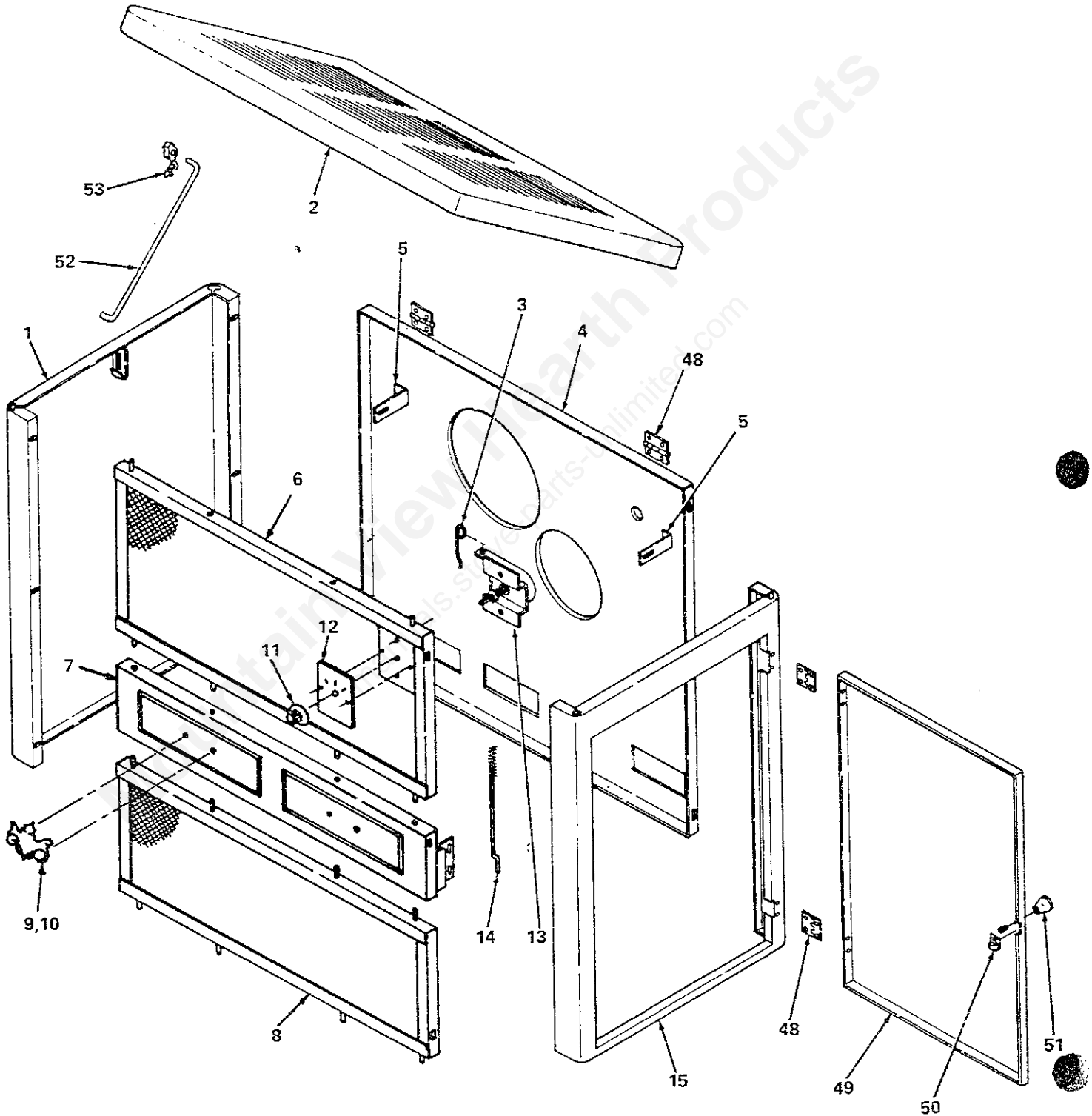


repair parts

SEARS AUTOMATIC COAL OR WOOD BURNING
CIRCULATOR MODEL NO. 143.840620



repair parts

SEARS AUTOMATIC COAL OR WOOD BURNING
CIRCULATOR MODEL NO. 143.840620

Key No.	Part No..	Description
1	67512	Cabinet Left Side
2	67513	Cabinet Top
3	86192	Thermostat Linkage
4	67514	Cabinet Back
5	21063	Back Brace (2 Req'd)
6	67565	Upper Front Panel
7	67561	Front Panel
8	67564	Lower Front Panel
9	89034	Pull Handle (2 Req'd.)
10	11450	Handle Bracket (2 Req'd.—not shown)
11	89142	Thermostat Knob
12	85204	Thermostat Dial Indicator
13	67187	Thermostat
14	86191	Thermostat Linkage Adjuster
15	67194	Cabinet Door Frame
48	89065	Hinge (4 Req'd.)
49	67243	Cabinet Door
50	83093	Stove Spring Latch
51	89062	Door Knob
52	21593	Hinge Support
53	83833	Hinge Clip

repair parts

SEARS AUTOMATIC COAL OR WOOD BURNING
CIRCULATOR MODEL NO. 143.840620

Key No.	Part No.	Description
16	40130	Grate Support – Rear (Cast Iron)
17	67479	Heat Jacket
18	66960	Flue Collar
19	88032	Flue Collar Gasket
20	40132	Top Brick Retainer (Cast Iron, 2 Req'd.)
21	89066	Fire Brick (10 Req'd.)
22	21548	Smoke Curtain
23	40100	Liner (Cast Iron, 3 Req'd.)
24	17210	Hinge Pin (Smoke Curtain)
25	17060	Thermostat Baffle
26	88042	Rope Gasket (73", Both Doors)
27	67447	Feed Door (Cast Iron, includes Key Nos. 26, 28, 29, 46)
28	40092	Feed Door Handle (Cast Iron)
29	89920	Handle (2 Req'd.)
30	40131	Grate Support–Sides (Cast Iron, 2 Req'd.)
31	83818	Clip (2 Req'd.)
32	65960	Base
33	67132	Draft Control Damper
34	67266	Floor Shield
35	40075	Draft Damper Frame
36	17200	Hinge Pin (Draft Damper)
37	21552	Throttle Plate
38	40101	Coal Grate (Cast Iron)
39	67444	Ash Pan
40	21430	Hinge Pin (4 Req'd.)
41	40045	Shaker (Cast Iron)
42	67368	Ash Door (Includes Key Nos. 26, 43)
43	LK-26	Latch Kit
44	83819	Clip (4 Req'd.)
45	40102	Coal Grate Frame (Cast Iron)
46	21467	Latch Spacer (2 Req'd.)
47	17270	Front Catch Brace
†	85247	Owners Manual (F642-4479)
†	42-84066	Blower Kit (Optional Assesory)
†	42-99185	Connector Adaptor (Optional Accessory)

† Not Illustrated