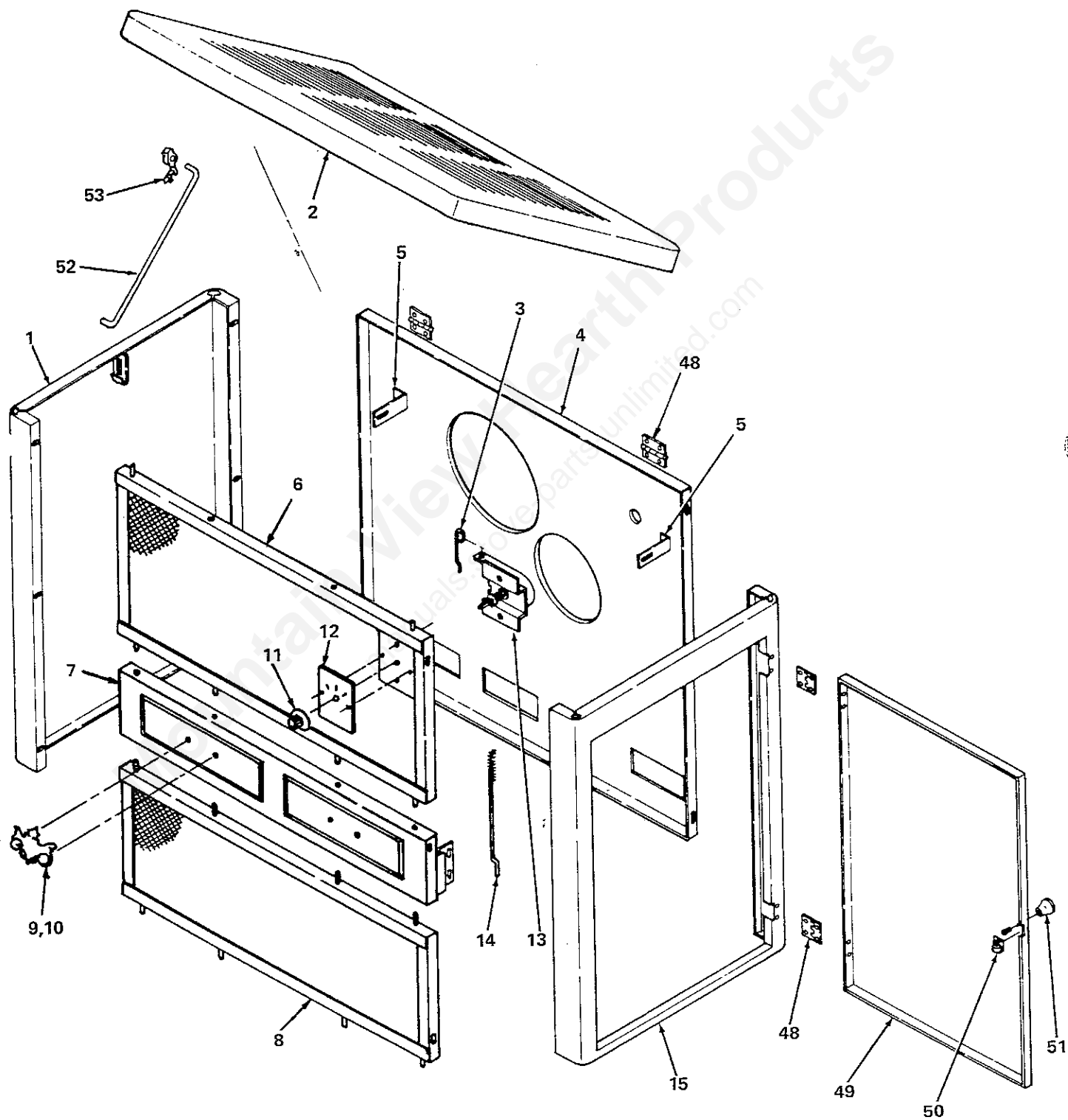


repair parts

SEARS AUTOMATIC COAL OR WOOD BURNING
CIRCULATOR MODEL NO. 143.840621



repair parts

SEARS AUTOMATIC COAL OR WOOD BURNING
CIRCULATOR MODEL NO. 143.840621

Key No.	Part No.	Description
1	67512	Cabinet Left Side
2	67513	Cabinet Top
3	86192	Thermostat Linkage
4	67514	Cabinet Back
5	21063	Back Brace (2 Req'd)
6	67565	Upper Front Panel
7	67561	Front Panel
8	67564	Lower Front Panel
9	89079	Pull Handle (2 Req'd.)
10	11450	Handle Bracket (2 Req'd.—not shown)
11	89142	Thermostat Knob
12	85204	Thermostat Dial Indicator
13	67187	Thermostat
14	86191	Thermostat Linkage Adjuster
15	67194	Cabinet Door Frame
48	89065	Hinge (4 Req'd.)
49	67243	Cabinet Door
50	83093	Stove Spring Latch
51	89062	Door Knob
52	21593	Hinge Support
53	83833	Hinge Clip

67527

WOODEN HANDLE

.86

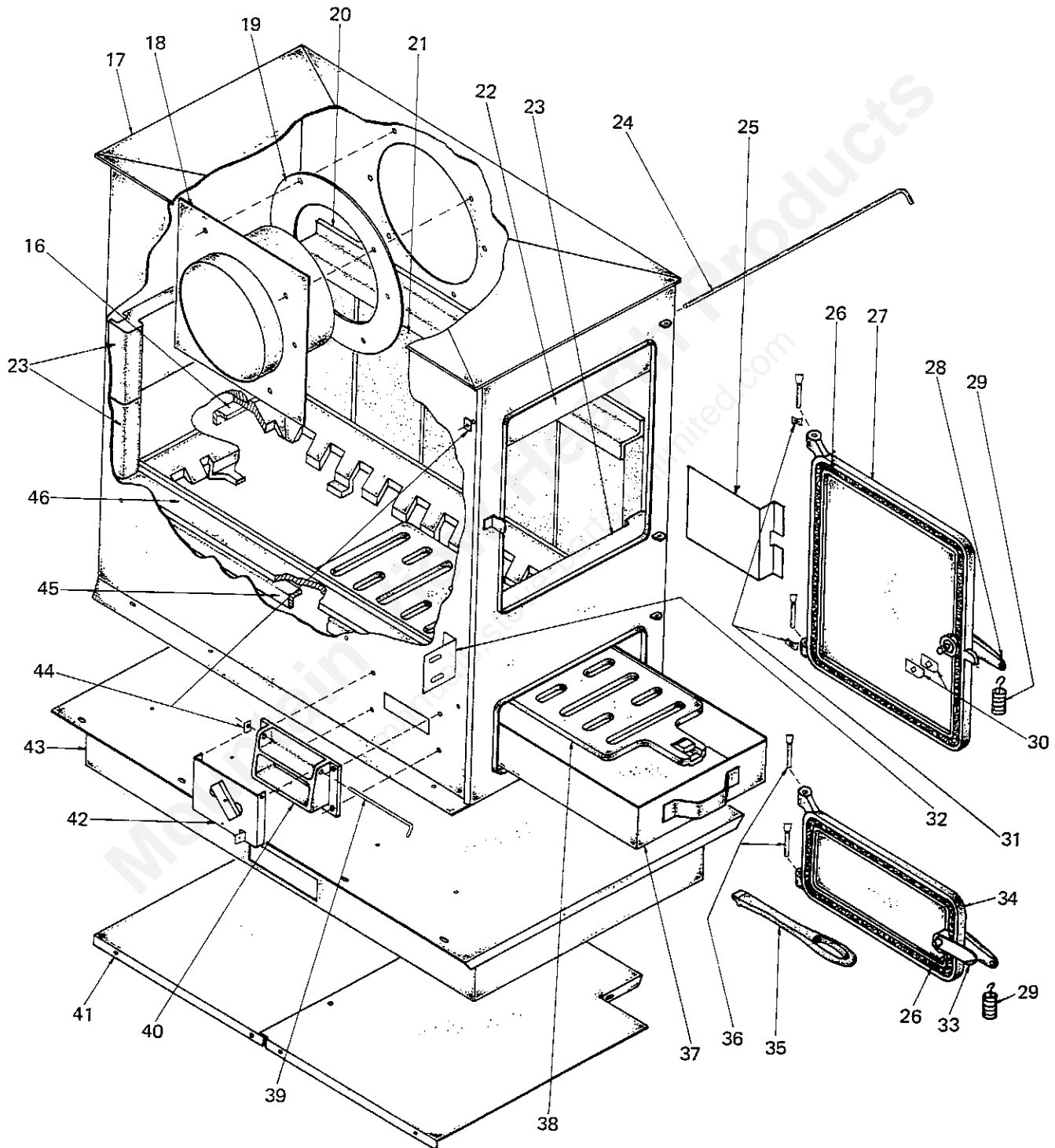
67538

FISH DOOR HANDLE

10.69

repair parts

SEARS AUTOMATIC COAL OR WOOD BURNING
CIRCULATOR MODEL NO. 143.840621



repair parts

**SEARS AUTOMATIC COAL OR WOOD BURNING
CIRCULATOR MODEL NO. 143.840621**

Key No.	Part No.	Description
16	40130	Grate Support – Rear (Cast Iron)
17	67479	Heat Jacket
18	66960	Flue Collar
19	88032	Flue Collar Gasket
20	40132	Top Brick Retainer (Cast Iron, 2 Req'd.)
21	89066	Fire Brick (10 Req'd.)
22	21548	Smoke Curtain
23	40100	Liner (Cast Iron, 3 Req'd.)
24	17210	Hinge Pin (Smoke Curtain)
25	17060	Thermostat Baffle
26	88042	Rope Gasket (73", Both Doors)
27	67447	Feed Door (Cast Iron, includes Handle & Gasket)
28	40092	Feed Door Handle (Cast Iron)
29	67527	Handle, Wood (2 Req'd.)
30	21467	Latch Spacer (2 Req'd.)
31	83819	Clip (4 Req'd.)
32	17270	Front Brace
33	LK-26	Latch Kit
34	67538	Ash Door (Includes Handle & Gasket)
35	40045	Shaker (Cast Iron)
36	21430	Hinge Pin (4 Req'd.)
37	67444	Ash Pan
38	40101	Coal Grate (Cast Iron)
39	17200	Hinge Pin (Draft Damper)
40	40075	Draft Damper Frame
41	67266	Floor Shield
42	67132	Draft Control Damper
43	65960	Base
44	83818	Clip (2 Req'd.)
45	40131	Side Grate Support (Cast Iron, 2 Req'd.)
46	40102	Coal Grate Frame (Cast Iron)
†	85247	Owners Manual (F642-4479)
†	42-84066	Blower Kit (Optional Accessory)
†	42-99185	Connector Adaptor (Optional Accessory)

† Not Illustrated