

# Sears

## owners manual

**MODEL NUMBER**

**143.840625**

Listed By  
**Energy Testing**  
Laboratory of Maine  
No. 79-14

**SBCCI APPROVAL**  
No. 7966-79



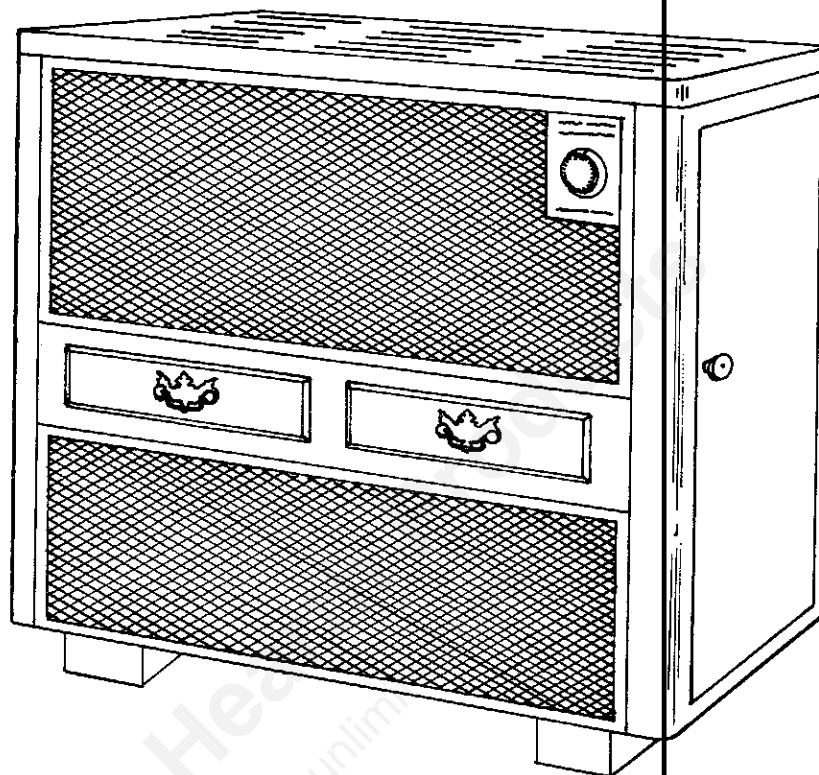
"THE STANDARD CODES"

**CAUTION:**

Read All Instructions  
Carefully Before Starting the  
Installation or Operating the  
Heater

**Do Not Use This  
Heater in Mobile  
Homes or Trailers**

Save This Manual  
For Future Reference



# AUTOMATIC Coal or Wood Burning CIRCULATOR HEATER

- Assembly
- Installation
- Operation
- Repair Parts

Sears, Roebuck and Co., Chicago, Ill. 60684 U.S.A.

PRINTED IN U.S.A.

85247-B 1/82

Mountain View Hearth Products  
manuals.stove-parts-unlimited.com

# introduction!

Please read our instructions before you install and use your new Coal or Wood Burning Circulator Heater. This will help you obtain the full benefits from your heater.

If you want your heater professionally installed, contact your SEARS SALESPERSON. They will arrange for prompt, quality installation by SEARS AUTHORIZED INSTALLERS.

## SEARS INSTALLATION POLICY

All installation labor arranged by SEARS shall be performed in a neat, workman-like manner in accordance with generally accepted trade practices. Further, all installations shall comply with all local laws, codes, regulations, and ordinances. The customer shall also be protected, during installation, by insurance relating to property damage, workmen's compensation and public liability.

## SEARS INSTALLATION WARRANTY

In addition to any warranty extended to you on the Sears merchandise involved, which warranty becomes effective the date the merchandise is installed, should the workmanship of any Sears arranged installation prove faulty within one year, Sears will, upon notice from you, cause such faults to be corrected at no additional cost to you.

---

## tools and materials needed

### TOOLS

Pencil  
6 Foot Folding Rule or Tape  
Tin Snips  
Drill, Hand or Electric  
Drill Bit (For Sheet Metal Screws)

### MATERIALS

6" Pipe, 6" Elbow, Collar and Thimble;  
as required (24 gauge min.)  
1/2" Sheet metal screws  
6" Inside diameter Underwriters Laboratories (UL)  
Listed Residential Type and Building  
Heating Appliance Chimney  
or existing masonry chimney.  
Floor Protector Material 3'-0" x 4'-6"  
as specified on Page 4.  
Furnace Cement

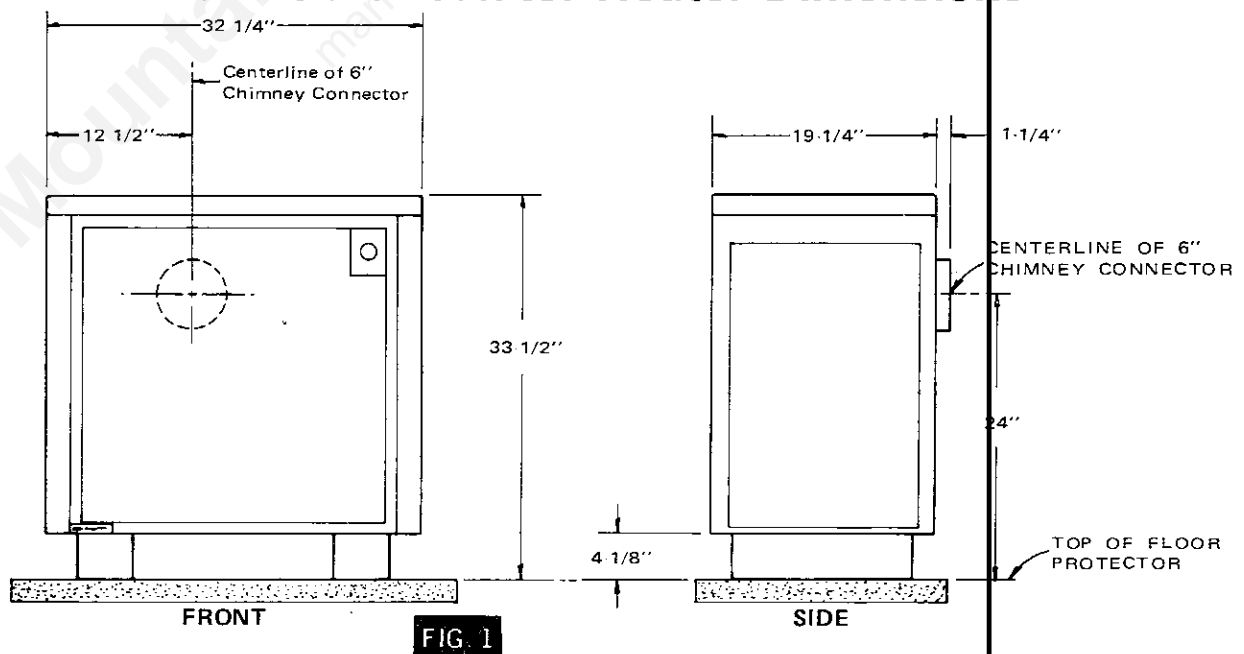
# Safety Rules

Read these rules and the instructions carefully. Failure to follow them could cause a malfunction of the heater. This could result in death, serious bodily injury, and/or property damage.

1. **Check your local codes.** The installation must comply with their rulings.
2. **Do not** install this heater in a mobile home or trailer.
3. **Always** connect this heater to a chimney and vent to the outside. Never vent to another room or inside a building. Make sure the chimney is high enough to give a good draft.
4. **Do not connect** a wood burning heater to an aluminum Type B gas vent. This is not safe and is prohibited by the National Fire Protection Association Code. This heater requires a masonry or a UL Listed Residential Type and Building Heating Appliance Chimney.
5. **Inspect chimney** connector and chimney before and frequently during the heating season for any deposit of creosote or soot which must be removed (see CHIMNEY MAINTENANCE, page 9).
6. **Provide** air for combustion from outside the house into the room where the heater is located. If the intake is not in the same room, air must have free access to the room.
7. **CAUTION** - The special enamels used on your heater may give off some smoke while they are curing during first few fires. Build small fires at first.
8. **CAST IRON PARTS MUST BE "SEASONED" TO AVOID CRACKING. BUILD ONLY SMALL FIRES ON FIRST USE.**
9. **To prevent injury,** do not allow anyone who is unfamiliar with the operation to use the heater.
10. **For further information** on using your heater safely, obtain a copy of the National Fire Protection Association (NFPA) publication "Using Coal and Wood Stoves Safely" NFPA No. HS-10-1978. The address of the NFPA is Battery Match Park, Quincy, MA 02269.
11. **Disposal of Ashes** -Ashes should be placed in a metal container with a tight fitting lid. The closed container of ashes should be placed on a noncombustible floor or on the ground, well away from all combustible materials, pending final disposal. If the ashes are disposed of by burial in soil or otherwise locally dispersed, they should be retained in the closed container until all cinders have thoroughly cooled.
12. **CARING FOR ENAMELED PARTS** -This heater has an enameled outside jacket. Enamel baked onto the steel or iron is very durable but it will not stand rough handling or abuse. When installing your heater, use care in handling. Clean with soap and warm water when heater is not hot. **DO NOT** use any acids or scouring soap, as these wear and dull the finish. **ENAMEL DISCOLORATION WILL OCCUR IF THE HEATER IS OVERFIRED. FOLLOW OPERATING INSTRUCTIONS CAREFULLY.**
13. **Keep** the ashpit section free of excess ashes.
14. Use wood or coal only. **DO NOT USE** the coal bricks that are manufactured from coal dust and a wax type binder.

**CAUTION:** Do not touch the heater until it has cooled.

## Automatic Circulator Heater Dimensions



# locating the heater

AS A LOCATION IS SELECTED, KEEP THE FOLLOWING IN MIND:

1. The chimney connection should be as short as possible. The heater must have its own chimney. Do not connect any other appliance to the same flue.

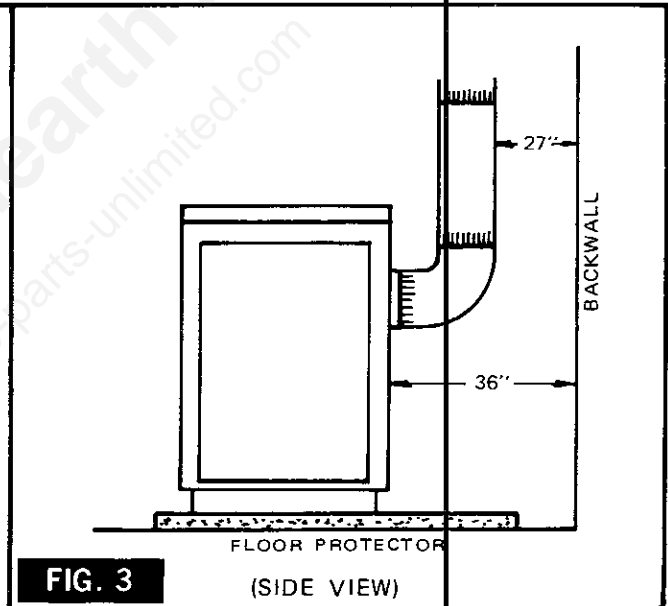
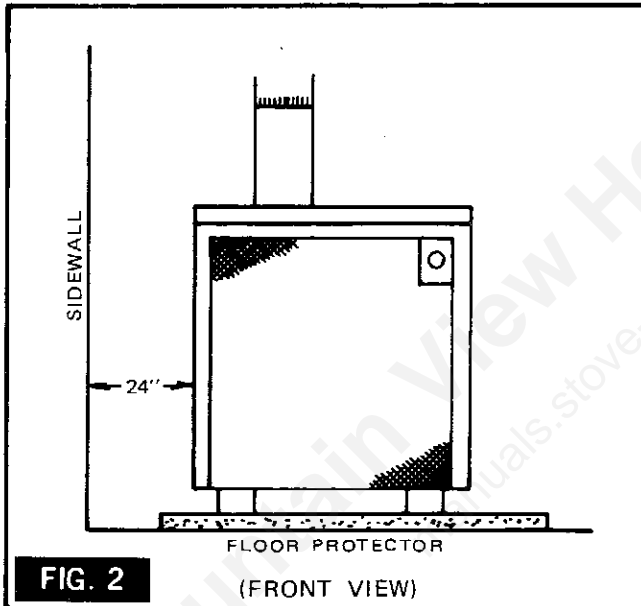
If there is no chimney near where you wish to place the heater, you can use a UL Listed Residential Type and Building Heating Appliance Chimney (Fig. 6).

2. Place the heater on solid masonry or solid concrete. When the heater is used on a combustible floor, use a non-combustible floor protector

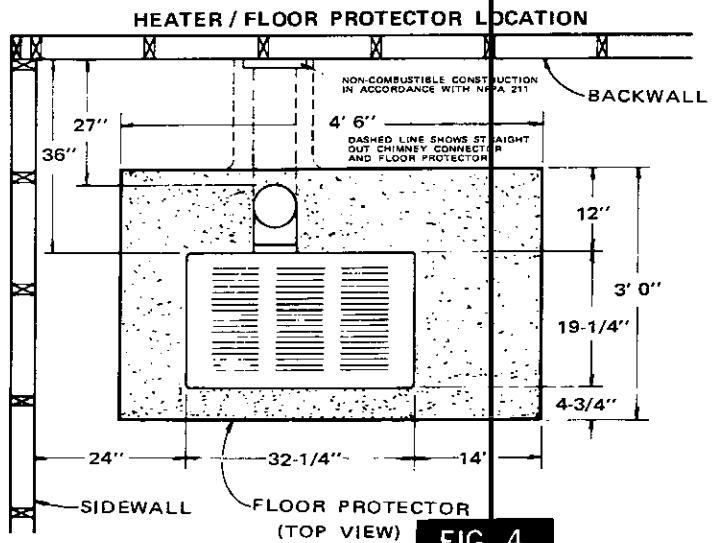
protector 3/8" thick or a U.L. listed floor protector. Have the floor protector extend 18" beyond the door side of the heater and under the connector pipe in the back. (Fig. 4).

3. Check Figures 2, 3 and 4. Be sure you have the clearances shown from the heater and the connector pipe to combustible surfaces. If you have a solid brick or stone wall behind your heater, you can place the heater as close as you wish to the wall. If the wall is only faced with brick or stone, treat it as a combustible wall.

## MINIMUM CLEARANCE TO COMBUSTIBLE WALLS



**NOTE: BEFORE FIRING HEATER**  
SLIDE FIREBRICKS TOWARD THE REAR SO NO GAPS REMAIN BETWEEN THEM.



# chimney connection

## MASONRY CHIMNEY

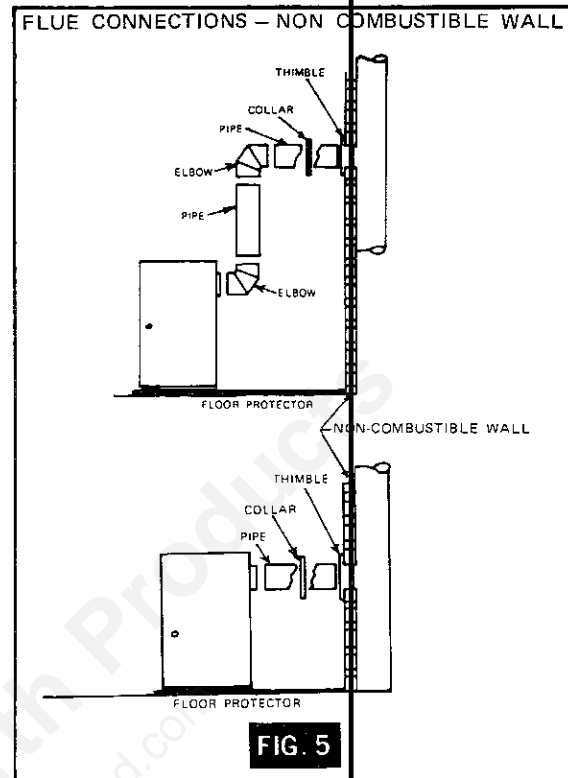
Before using an existing masonry chimney, clean the chimney and inspect the flue liner to be sure it is safe to use. Make repairs before attaching the heater.

Look at Fig. 5. The connector pipe and fittings you will need to connect directly to a masonry chimney are shown.

If the connector pipe must go through a combustible wall before entering the masonry chimney, consult a qualified mason or chimney dealer. The installation must conform to local fire codes.

Do not connect this heater into the same chimney flue as the fireplace or flue from another heater.

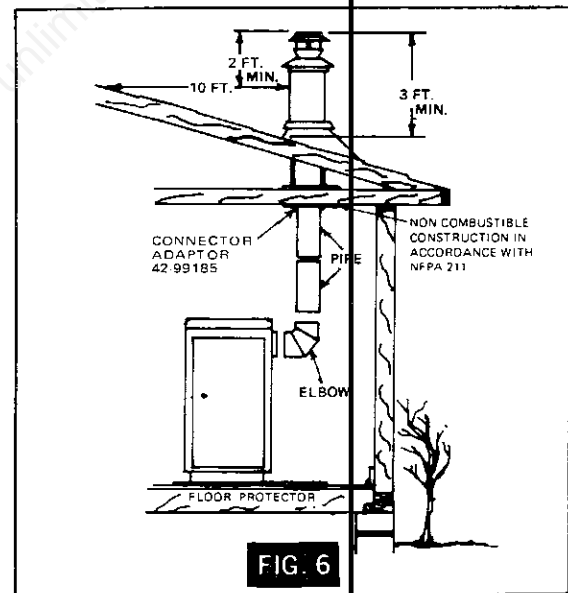
The chimney used for a heater must not be used to ventilate the cellar or basement. If there is a cleanout opening at the base of the chimney, close it tightly.



## UL LISTED CHIMNEY

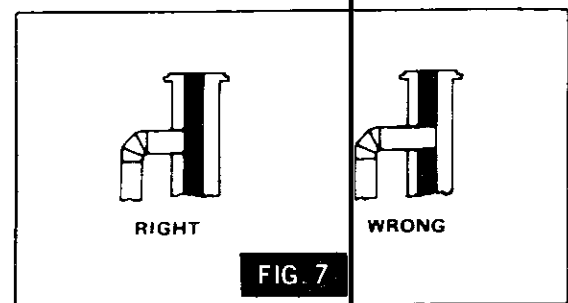
Carefully follow chimney manufacturer's instructions. Use only a UL Listed Residential Type and Building Heating Appliance Chimney. If your chimney starts at the ceiling (Fig. 6), you will need a 6" elbow and enough 6" pipe to reach the ceiling. You will also need the connector adaptor Sears Stock No. 42-99185.

The top of the chimney must be at least 3 feet above the roof and be at least 2 feet higher than any point of the roof within 10 feet (Fig. 6).



## RULES FOR CONNECTOR PIPE INSTALLATION

1. The crimped end of the stovepipe fits inside the heater flue collar. Install additional pipe and elbow **CRIMPED END TOWARD THE HEATER**. This will allow any condensation in the flue to run back into the heater.
2. Slope any horizontal pipe upward toward the chimney at least  $\frac{1}{4}$  inch for each foot of horizontal run.
3. You must have at least 18 inches of clearance between any horizontal piping and the ceiling.
4. The pipe cannot extend into the chimney flue (Fig. 7).
5. Seal each connector pipe joint with furnace cement. Also seal the pipe at the chimney.
6. Use 3 sheet metal screws at each joint to make the piping rigid.
7. Do not put a damper in a connector pipe.



# operating instructions

## FUEL

Egg size Bituminous coal for residential furnaces, or any of the specially packaged fireplace coals can be used. Coal with a low ash content (2% to 6%) is recommended.

Hardwood, 18" to 22" should be split and air dried (seasoned) for 6 months.

## LIGHTING

1. Set the thermostat on "HIGH" for maximum draft.
2. Open the feed door and place paper and kindling on the grate for starting the fire.
3. Light fire and close feed door.
4. Add wood or about 15 lbs. of coal after fire is burning briskly. Use care not to smother the kindling fire.
5. Set thermostat for desired temperature. "MEDIUM" setting is normally satisfactory. Set higher or lower for your comfort.

## ADDING FUEL

When possible, add small amounts of fuel each hour or so instead of large amounts every 8 to 10 hours. This will give more complete combustion and less build-up of tars and soot in the chimney.

1. Set Thermostat to HIGH before opening feed door.
2. Wood Fire-Do not add fuel above firebox liners.
3. Coal Fire-Never smother the fire when adding coal (see CAUTION below). Gas accumulation and a mild smoky explosion will occur.
  - a. Add fresh kindling if the bed of coals has cooled.
  - b. Add up to 20 lbs. of coal. Never add coal above top of fire brick.
  - c. Stir the coal and watch the fire. Be sure the new coal is burning briskly before you close the doors and turn the thermostat down.
4. Shake grates vigorously fore and aft 1/2" to dump ashes into ash pan. Do this at least once every 12 hours of operation.
5. Empty ash pan regularly. Do not allow ashes to build up to grate as grate will warp and burn out, and you might spill the ashes when removing the pan. Dispose of hot ashes properly (see Note 11 on page 4).

## MINIMUM FIRE

The burning rate at the low setting can be further adjusted by opening or closing the minimum fire air shutter (Fig. 8) on the draft control door.

1. Partially close the shutter to make the fuel burn longer.
2. Open the shutter, exposing a large opening, to reduce the formation of creosote or soot (see notes on Chimney Maintenance).
3. Do not operate the heater with the minimum fire air shutter completely closed.

### CAUTION

**DO NOT OPERATE THIS HEATER WITH FEED OR ASH DOOR OPEN. THIS HEATER IS DESIGNED FOR THERMOSTATIC OPERATION. OPERATION WITH EITHER DOOR OPEN WILL OVERHEAT AND DAMAGE THE HEATER.**

### CAUTION

**GASES THAT ARE DRIVEN FROM FRESH COAL MUST BE BURNED OR THEY WILL ACCUMULATE AND EXPLODE. NEVER SMOTHER A FIRE WHEN ADDING FRESH COAL.**

### WARNING

**NEVER USE GASOLINE, GASOLINE-TYPE LANTERN FUEL, KEROSENE, CHARCOAL, LIGHTER FLUID, OR SIMILAR LIQUIDS TO START OR "FRESHEN UP" A FIRE IN THE HEATER.**

### WARNING

**NEVER STORE FLAMMABLE LIQUIDS, ESPECIALLY GASOLINE, IN THE VICINITY OF THE HEATER.**

### WARNING

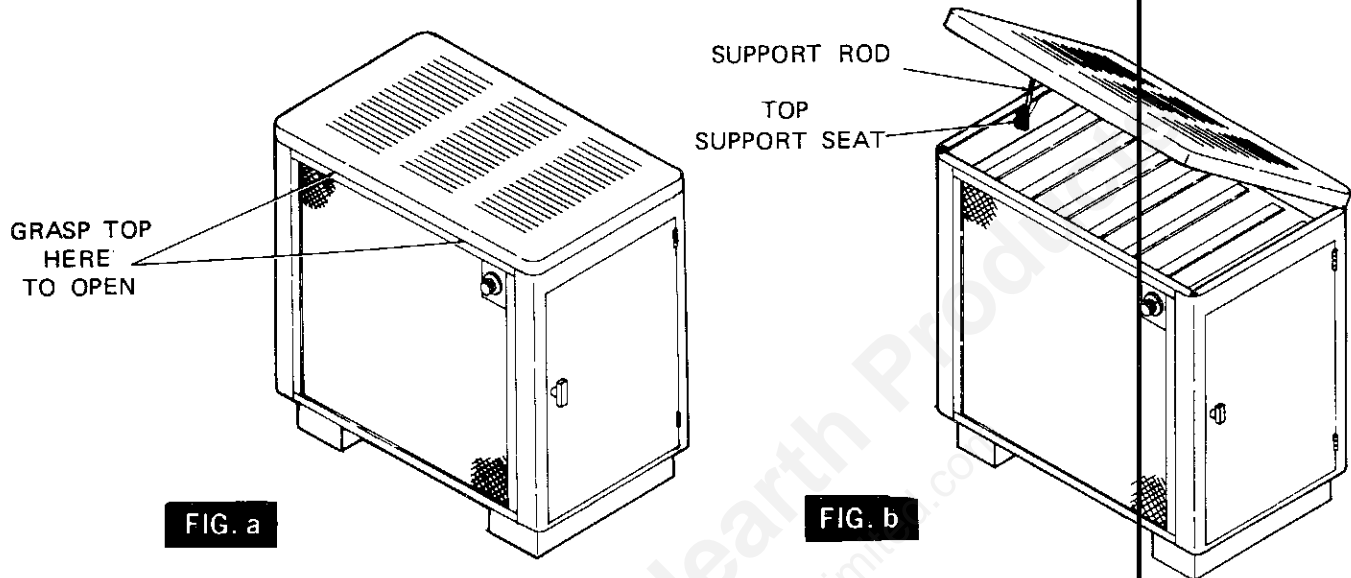
**NEVER USE THE MANUFACTURED COAL BRICKS THAT ARE MADE FROM COAL DUST AND A WAX TYPE BINDER.**

# How To Lift Top

## CAUTION - DO NOT OPEN OR CLOSE TOP WHEN HEATER IS HOT!

To open, grasp TOP at front and lift all the way, then gently lower the TOP until the TOP SUPPORT ROD latches to hold the TOP (Fig. a).

To close, lift TOP until the TOP SUPPORT ROD is unlatched. Pull the ROD forward and lower the TOP (Fig. b).



## adjusting the thermostat

The thermostat control was adjusted at the factory. The operation of the heater may require a change in adjustment. Make adjustments at room temperature.

If the room temperature is not satisfactory, the thermostat operating range may be changed as follows:

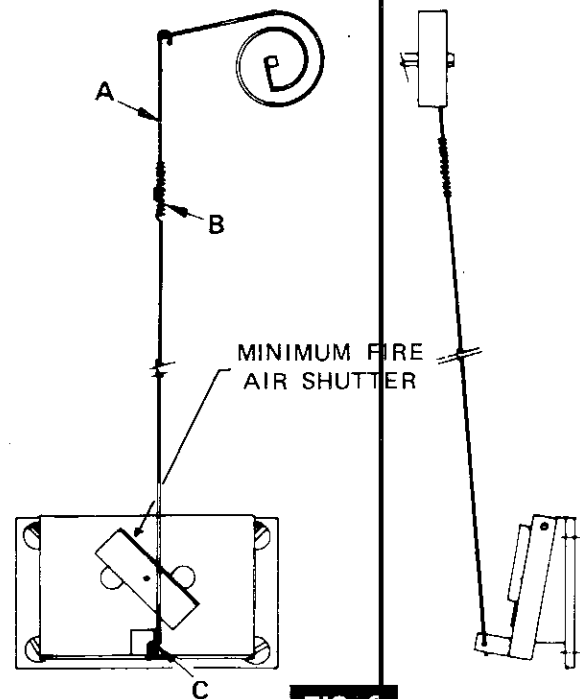
TO INCREASE the amount of heat at a "HIGH" setting, adjust the wire linkage to increase the draft damper opening (Fig. 8).

1. Unhook linkage wire at Point "C".
2. Take Point "A" in left hand and "B" in right hand, then turn "B" clockwise about 3 turns.
3. Then hook linkage wire back to draft control damper door at Point "C".

TO DECREASE the amount of heat at "LOW" setting:

1. Check feed and ash doors to be sure that they are closed tightly.
2. Check the connector pipe to see that it is sealed in the flue collar and at all joints.
3. If no air leaks are found, adjust linkage as above except turn "B" counterclockwise about 3 turns.

**NOTE:** More than one adjustment may be needed. At room temperature (72° F) and "LOW" setting, the draft damper door should be closed.



## service hints

Do not expect a heater to draw. It is the chimney that creates the draft. Smoke spillage into the house or excessive build-up of water or creosote in the chimney are warnings that the chimney is not functioning properly. Correct the problem before using heater. Possible causes are:

1. The connector pipe may be pushed into the chimney too far, stopping the draft (Fig. 7).
2. Do not connect two heaters into the same chimney flue.
3. Do not use the chimney to ventilate the cellar or basement. If there is a cleanout opening at the base of the chimney, close it tightly.

4. If the chimney is too cool, water will condense in the chimney and run back into the heater. Creosote formation will be rapid and may block the chimney. Build a large enough fire to keep the chimney warm to prevent condensation.
5. If the fire burns well but sometimes smokes or burns slowly, it may be caused by the chimney top being lower than another part of the house or a nearby tree. The wind blowing over a house or a tree falls on top of the chimney like water over a dam, beating down the smoke. The top of the chimney should be at least 3 feet above the roof and be at least 2 feet higher than any point of the roof within 10 feet (Fig. 6).

## chimney maintenance

### Creosote - Formation and Need for Removal

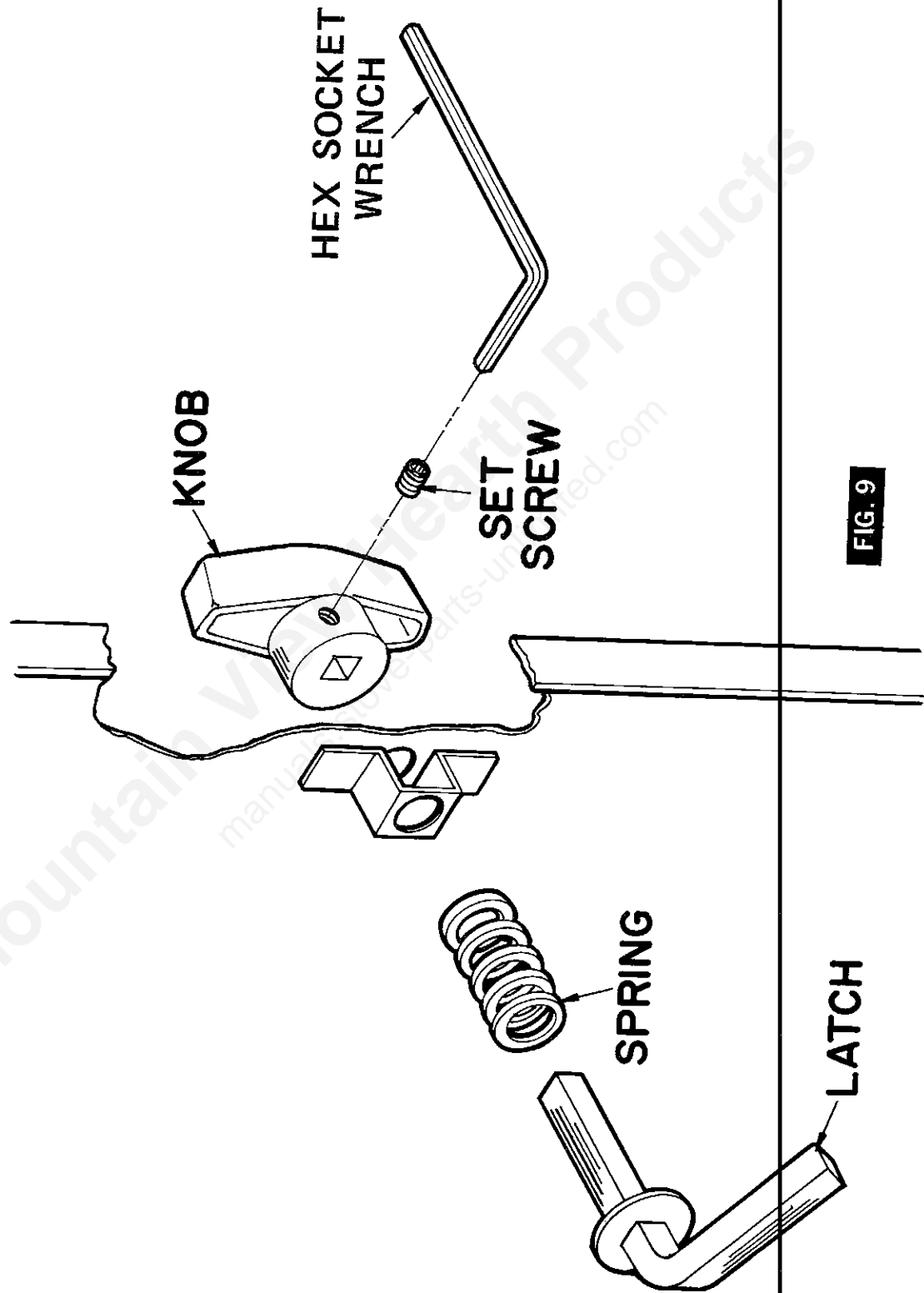
When wood is burned slowly, it produces tar and other organic vapors, which combine with expelled moisture to form creosote. The creosote vapors condense in the relatively cool chimney flue of a slow-burning fire. As a result, creosote residue accumulates on the flue lining. When ignited this creosote makes an extremely hot fire.

The chimney connector and chimney should be inspected at least twice monthly during the heating season to determine if a creosote buildup has occurred.

If creosote has accumulated, it should be removed to reduce the risk of a chimney fire.

Chimney fires burn very hot. If the chimney connector should glow red, immediately call the fire department, then reduce the fire by closing the inlet air control and pour a large quantity of coarse salt, baking soda or cool ashes on top of the fire in the firebox. **CAUTION:** A chimney fire may cause ignition of wall studs or rafters which you thought were a safe distance from the chimney. If you have a chimney fire, have your chimney inspected by a qualified person before using again.

# Cabinet Door Latch Assembly



**FIG. 9**

# Installation: Cabinet Door Latch Assembly

Remove handle assembly from ash pan. Items in bag should include: (SEE FIG. 9).

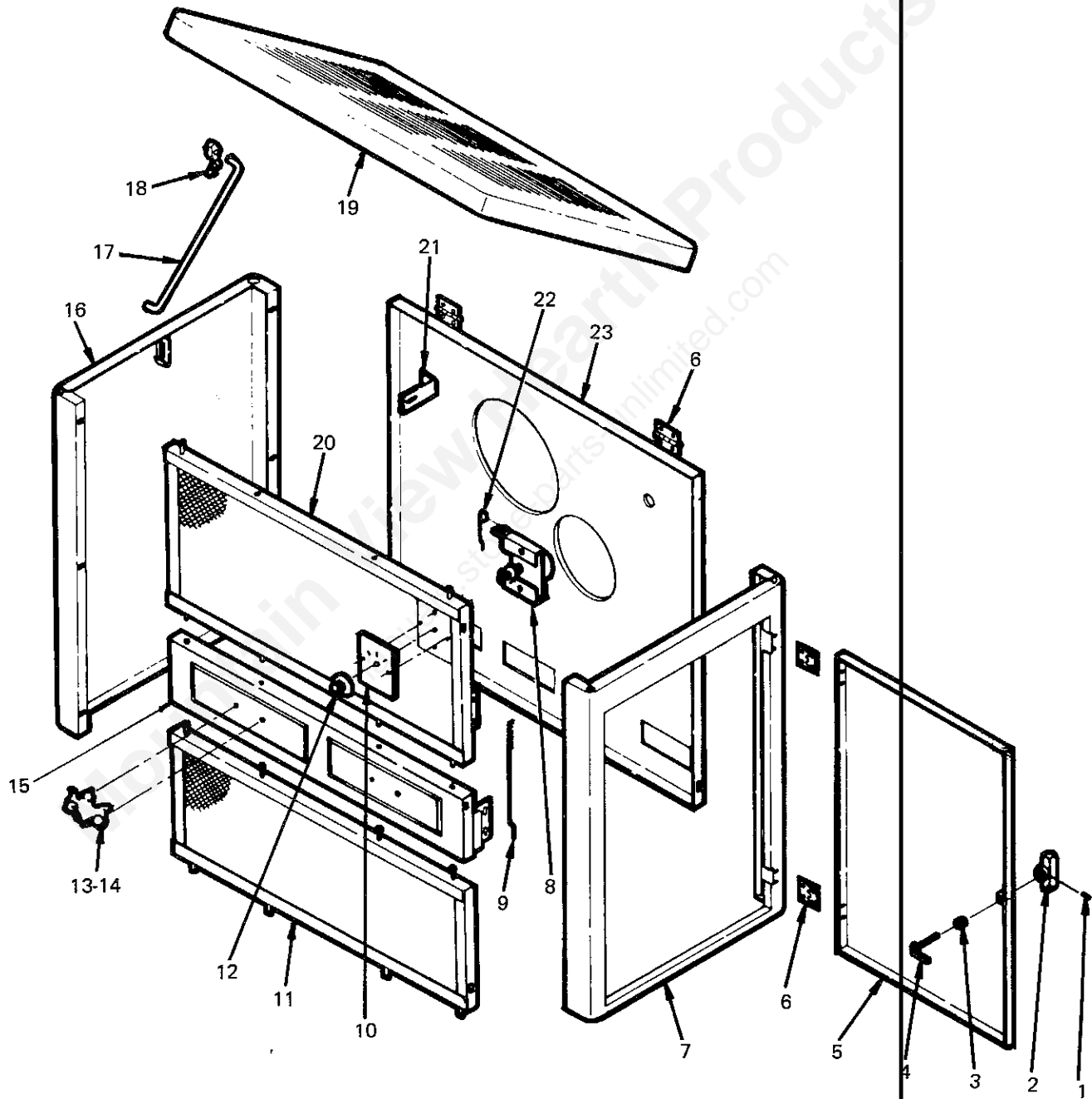
- (1) Latch
- (1) Spring
- (1) Set Screw
- (1) Hex Socket Wrench
- (1) Knob

Install the latch assembly using the steps shown below.

- STEP 1: Open cabinet door
- STEP 2: Put spring on latch.
- STEP 3: Put latch through bracket on the inside of the cabinet door.
- STEP 4: Slide handle on latch.
- STEP 5: Insert and tighten set screw in handle with hex socket wrench.

# repair parts

SEARS AUTOMATIC COAL OR WOODBURNING  
CIRCULATOR MODEL NO. 143.840625



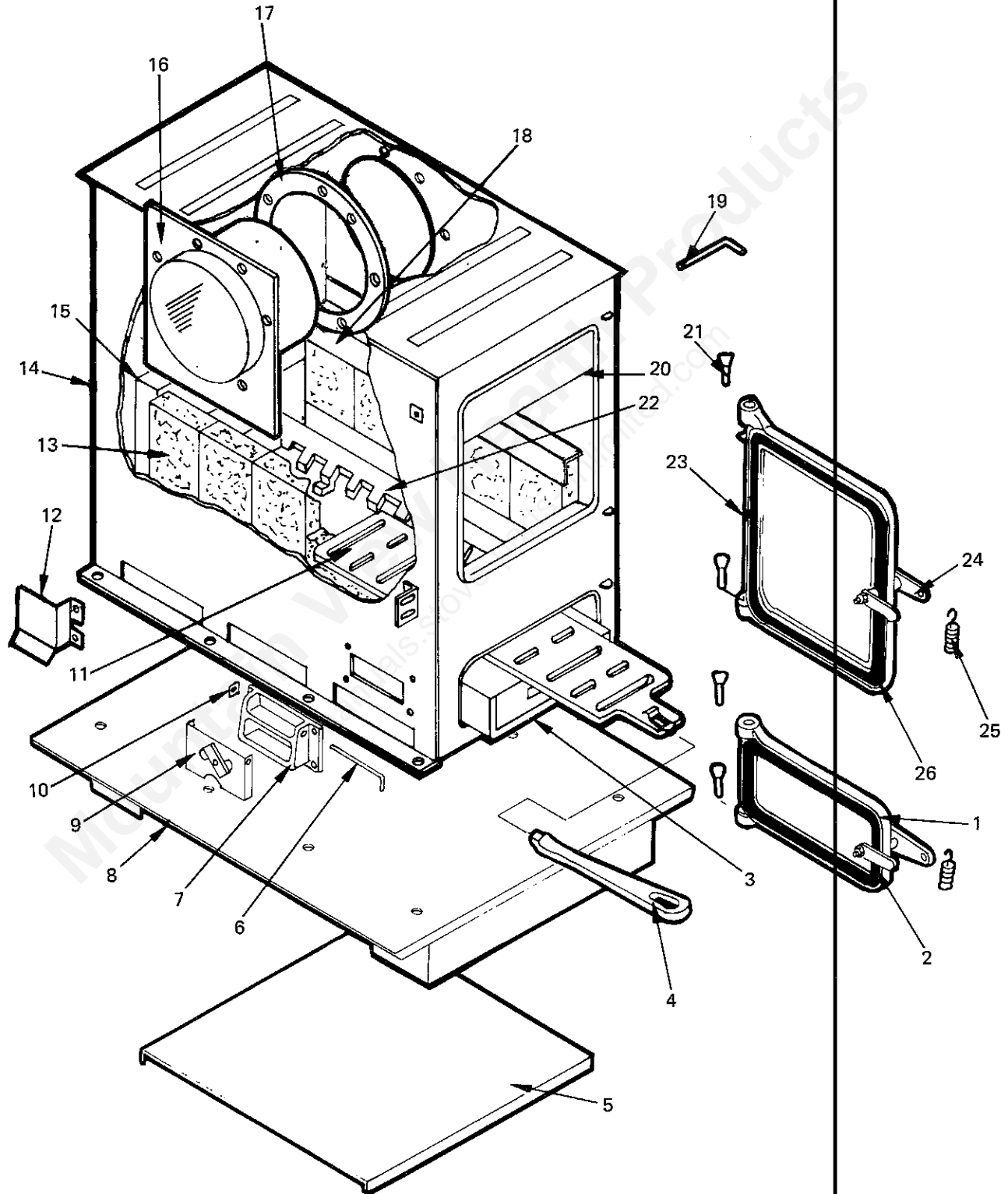
# repair parts

SEARS AUTOMATIC COAL OR WOODBURNING  
CIRCULATOR MODEL NO. 143.840625

Key No.	Part No.	Description
1	83210	Set Screw
2	89173	Handle, Door Latch
3	89041	Spring
4	67724	Door Latch Weldment
5	67734	Cabinet Door
6	89065	Door Hinge (4 Req'd.)
7	67733	Cabinet Door Frame
8	67743	Thermostat
9	86191	Thermostat Linkage Adjuster
10	85357	Thermostat Dial Indicator
11	67564	Lower Front Panel
12	89142	Thermostat Knob
13	89079	Pull Handle (2 Req'd.)
14	11450	Handle Bracket (2 Req'd-Not Shown)
15	67561	Front Panel
16	67732	Cabinet Left Side
17	21593	Hinge Support
18	83833	Hinge Clip
19	67731	Cabinet Top
20	67565	Upper Front Panel
21	21063	Back Brace (2 Req'd.)
22	86192	Thermostat Linkage
23	67514	Cabinet Back

# repair parts

SEARS AUTOMATIC COAL OR WOODBURNING  
CIRCULATOR MODEL NO. 143.840625



# repair parts

SEARS AUTOMATIC COAL OR WOODBURNING  
CIRCULATOR MODEL NO. 143.840625

Key No.	Part No.	Description
1	67781	Ash Door
2	21803	Rope Gasket
3	67444	Pan, Ash
4	40045	Shaker (Cast Iron)
5	21887	Floor Shield
6	17200	Hinge Pin (Draft Damper)
7	40075	Draft Damper Frame
8	67664	Base
9	67132	Draft Control Damper
10	83818	Clip (2 Req'd.)
11	40101	Coal Grate (Cast Iron)
12	17060	Thermostat Baffle
13	89066	Fire Brick (10 Req'd.)
14	67783	Heat Jacket
15	40100	Liner (Cast Iron) (3 Req'd.)
16	66960	Flue Collar
17	88032	Flue Collar Gasket
18	40132	Top Brick Retainer (Cast Iron) (2 Req'd.)
19	17210	Hinge Pin (Smoke Curtain)
20	21548	Curtain, Smoke
21	83117	Hinge Pin (4 Req'd.)
22	40102	Coal Grate Frame
23	67775	Feed Door
24	21810	Handle (2 Req'd.)
25	67567	Handle, Wood (2 Req'd.)
26	21804	Gasket, Feed Door
*	85247B	Owner's Manual

\* Not Shown

**Sears**

**owners  
manual**

**MODEL NUMBER**

**143.840625**

**HOW TO ORDER**

**REPAIR PARTS**

**TELL SEARS YOU**

**WANT IT**

**INSTALLED --**

**THEN RELAX**

**AUTOMATIC  
Coal or Wood Burning  
CIRCULATOR HEATER**

Now that you have purchased your Automatic Coal or Wood Circulator Heater should a need ever exist for repair parts or service, simply contact any Sears Service Center and most Sears, Roebuck and Co. stores. Be sure to provide all pertinent facts when you call or visit.

The Model Number will be found on a plate mounted on the back of the heater. Always mention the Model Number when requesting service or repair parts for your Heater.

WHEN ORDERING REPAIR PARTS, ALWAYS GIVE THE FOLLOWING INFORMATION AS SHOWN IN THIS LIST.

1. The PART NUMBER
2. The PART DESCRIPTION
3. The MODEL NUMBER
4. The SERIAL NUMBER

If the part you need is not stocked locally, your order will be transmitted to a Sears Repair Parts Distribution Center for quick handling.

When Sears arranges the installation, you can be sure the job is done right. We will arrange for professional workmanship... and we'll take care of the entire project. What's more, during installation you get insured protection... against property damage and also against accidents to workmen. All you have to do is talk to your Sears salesperson or call your nearest Sears store today for detailed information.

**Sears, Roebuck and Co., Chicago, Ill. 60684 U.S.A.**