

Sears

**owners
manual**

MODEL NUMBER

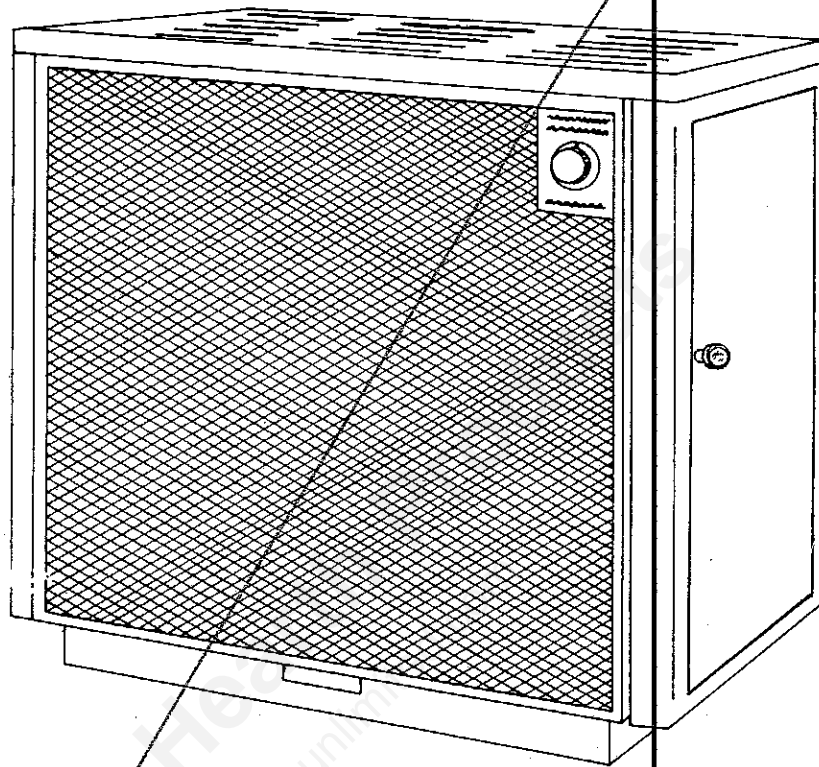
143.840651

CAUTION:

**Read All Instructions
Carefully Before Start-
ing The Installation.**

**Do Not Use This
Heater in Mobile
Homes or Trailers**

**Save This Manual For
Future Reference.**



**AUTOMATIC
WOOD BURNING
CIRCULATOR**

- Installation
- Operation
- Repair Parts

Sears, Roebuck and Co., Chicago, Ill. 60684 U.S.A.

PRINTED IN U.S.A.

85153 6/76

introduction

Please take a few minutes to read our instructions before you install and use your new Wood Burning Circulator heater. This will help you obtain the full benefits from your heater. This will also help you avoid any needless service costs that result from causes we cannot control.

If you want your heater professionally installed, contact your SEARS SALESMAN. HE will arrange for prompt, quality installation by SEARS AUTHORIZED INSTALLERS.

SEARS INSTALLATION POLICY

All installation labor arranged by SEARS shall be performed in a neat, workmanlike manner in accordance with generally accepted trade practices. Further, all installations shall comply with all local laws, codes, regulations, and ordinances. The customer shall also be protected, during installation, by insurance relating to property damage, workmen's compensation and public liability.

SEARS INSTALLATION GUARANTEE

In addition to any warranty extended to you on SEARS merchandise involved, which warranty becomes effective the date the merchandise is installed, SEARS guarantees all SEARS-arranged installations, as follows: Should the workmanship prove faulty within one year, SEARS will, upon notice from you, cause such faults to be corrected at no additional cost to you.

rules for safe installation and operation

1. Read these rules and the instructions carefully. Failure to follow them could cause malfunction of the heater. This could result in death, serious bodily injury, and/or property damage.
2. Check your local codes. The installation must comply with their rulings.
3. Do not install this heater in a mobile home or trailer.
4. Always connect this heater to a chimney and vent to the outside. Never vent to another room or inside a building.
5. Do not connect a wood burning heater to an aluminum Type B gas vent. This is not safe and is prohibited by the National Fire Protection Association Code. This heater requires a Class "A" masonry or All-Fuel pre-fabricated chimney. Pre-fabricated chimneys must be listed by Underwriters Laboratories (UL) Inc. The inside diameter must be at least 6 inches.
6. Make sure the chimney is high enough to give a good draft. Keep the chimney and pipe clean inside to avoid blockage. Otherwise smoking will result.
7. Provide air for combustion from the outside into the room where the heater is located. If the intake is not in the same room, the air must have free access to the room.
8. Keep the ashpit section free of excess ashes. Failure to do so will cause grate warpage and burn out.
9. CAST IRON PARTS MUST BE "SEASONED" TO AVOID CRACKING. BUILD ONLY SMALL FIRES DURING YOUR EARLY USE. Never build extremely large fires in your heater.
10. To prevent injury do not allow anyone who is unfamiliar with the operation to use the heater.

CAUTION: Do not touch the heater until it has cooled.

tools and materials needed

TOOLS

Pencil
6 Foot Folding Rule or Tape
Tin Snips
Drill, Hand or Electric
Drill Bit (For Sheet Metal Screws)

MATERIALS

6" Vent Pipe, 6" Elbow, Collar, Thimble; as Required
1/2" Sheet Metal Screws

locating the heater

AS A LOCATION IS SELECTED, KEEP THE FOLLOWING IN MIND:

1. The chimney connection should be as short as possible. The heater must have its own chimney. Do not connect any other appliance to the same flue.

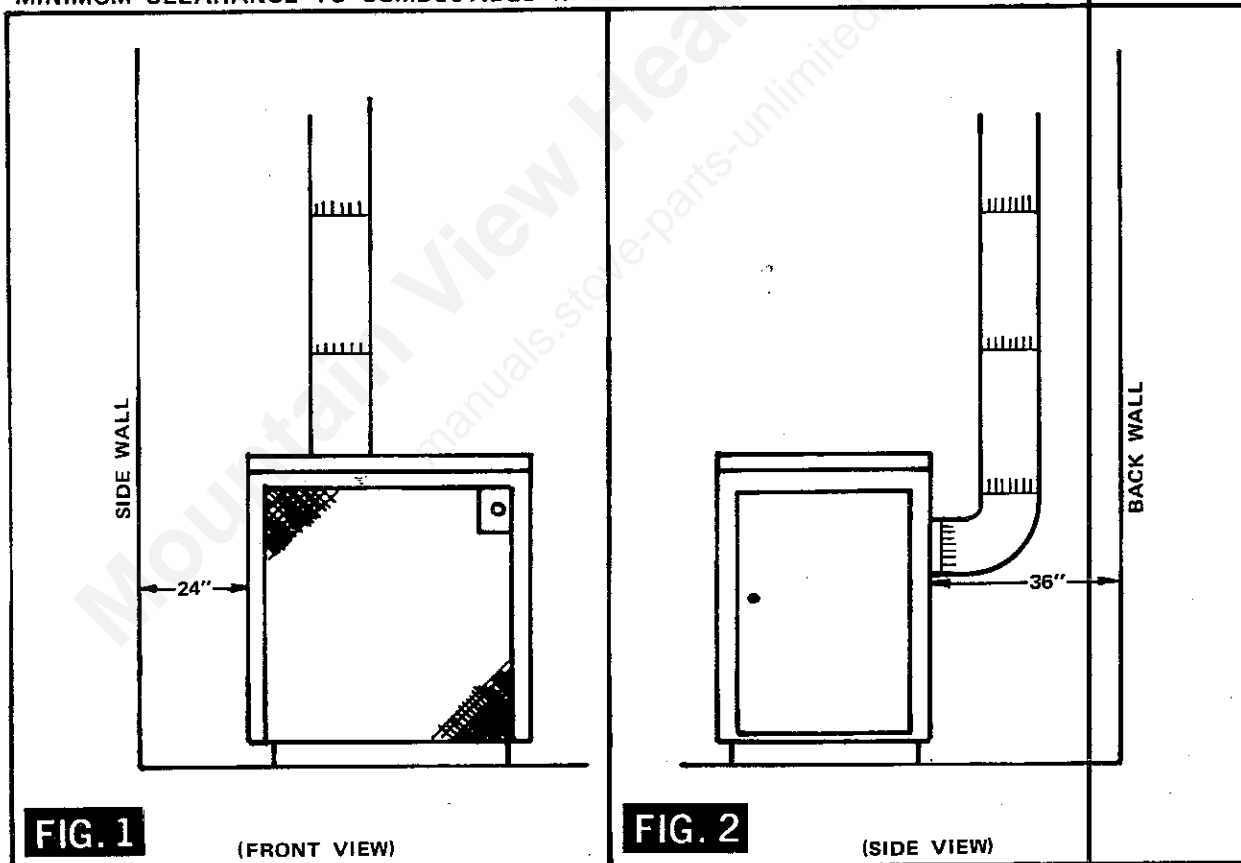
If there is no chimney near where you wish to place the heater, you can use a UL Listed 6" Type "A" Prefabricated All-Fuel Chimney. (Fig. 4). See your Sears Salesman.

2. The heater may be placed on a combustible floor, provided you use a piece of 3/8" mill board or a "stove board" of not less than 24 gauge sheet metal that extends 18 inches beyond the side of the heater where ashes are removed.

If you wish you can place the heater on a fireproof base of concrete patio block. They are available at your local building supply dealer.

3. Check Figs. 1 and 2. You should have at least the clearances shown from the heater and the vent pipe to combustible surfaces.

MINIMUM CLEARANCE TO COMBUSTIBLE WALLS



installation

Look at Fig. 3. The vent pipe and fittings you will need to connect to a masonry chimney or a 6" ALL-FUEL CHIMNEY on the outside wall are shown.

If your ALL-FUEL CHIMNEY starts at the ceiling (Fig. 4) you will need a 6" elbow, and enough 6" pipe to reach the ceiling.

Connect the heater to the chimney. The crimped end of the vent pipe fits inside the heater flue collar. Additional pipe and elbow should be installed CRIMPED END TOWARD THE HEATER. This will allow any condensation in the flue to run back into the heater.

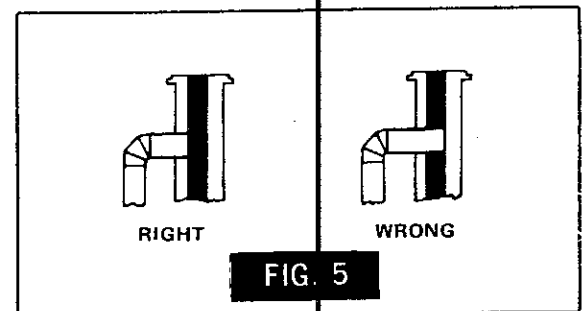
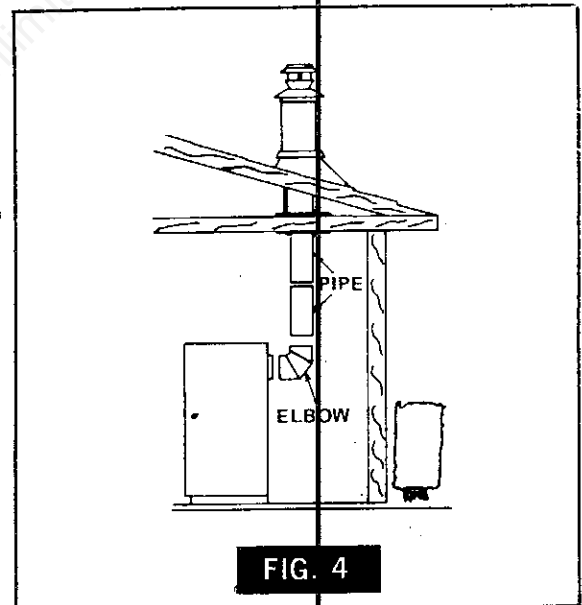
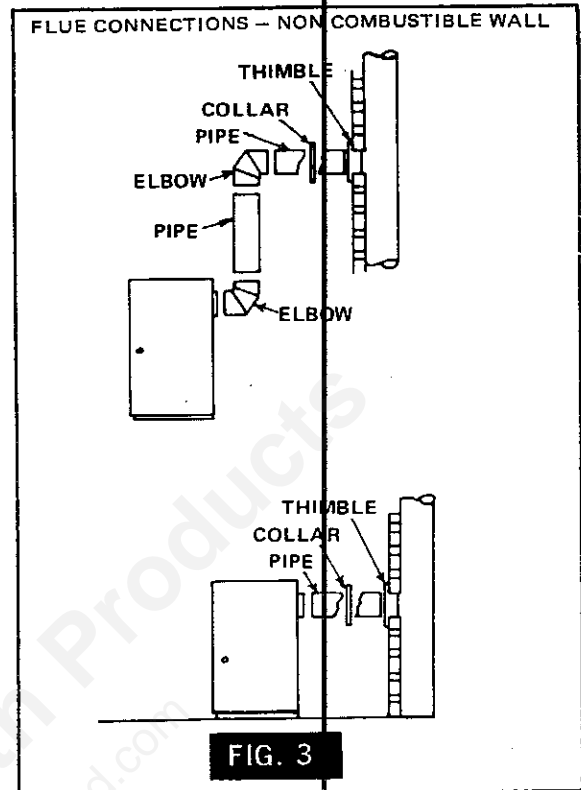
These rules apply to the vent pipe installation.

1. Avoid using more than 2 elbows.
2. Any horizontal pipe should be pitched upward toward the chimney at least 1/4 inch for each foot of horizontal run.
3. Be sure that you have at least 18 inches of clearance between the horizontal piping and the ceiling.
4. Be sure the pipe does not extend into the chimney flue (Fig. 5).

For better performance seal each vent pipe joint with furnace cement. Also seal the pipe at the chimney. Finally use 3 sheet metal screws at each joint to make the piping rigid.

NOTE: BEFORE FIRING HEATER

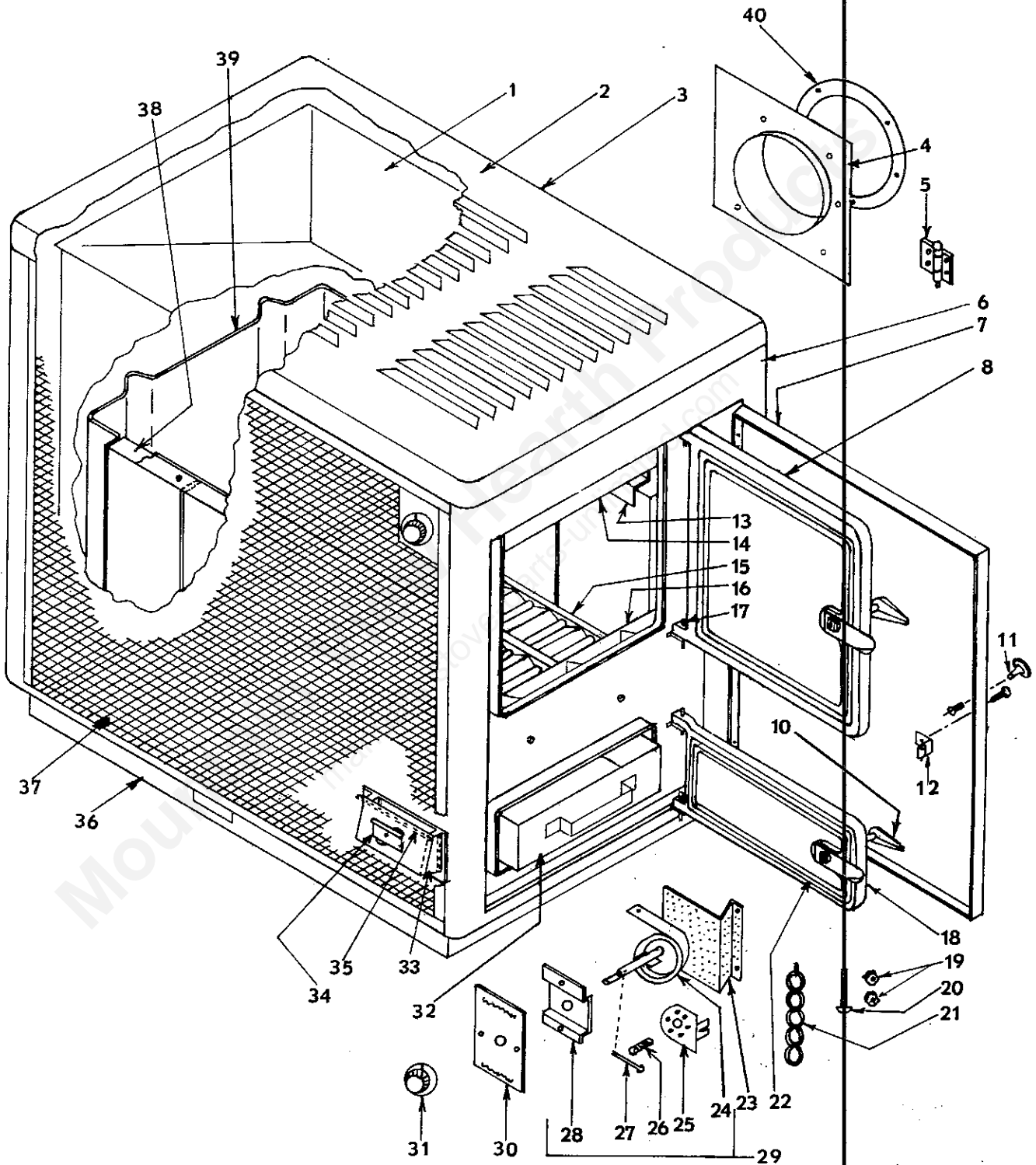
1. Remove plastic knob from inside of main door and install on outside.
2. Slide firebricks toward the rear so no gaps remain between them.



repair parts

SEARS AUTOMATIC WOODBURNING CIRCULATOR

MODEL NUMBER 143.840651



repair parts

SEARS AUTOMATIC WOODBURNING CIRCULATOR MODEL NUMBER 143.840651

Key No.	Part No.	Description
1	67169	Heat Jacket
2	65930	Cabinet Top
3	66440	Cabinet Back
4	66960	Flue Collar
5	89065	Door Hinge (2 req.)
6	67194	Cabinet Right End
7	67243	Cabinet Door
8	67367	Feed Door
9	89001	Coil Wire Handle
10	40047	Door Handle
11	89062	Door Knob
12	83093	Stove Spring
13	17350	Brick Top Clamp
14	00800	Smoke Curtain
15	40055	Grate (Cast) (2 req.)
16	17120	Metal Liner Front
17	83136	Door Pin
18	67368	Ash Pit Door
19	83081	* Nut Hex. No. 6-32
20	83080	* Screw Round Head No. 6-32- 1 1/2
21	89064	Chain
22	88033	Ceramic Glass Rope (73" for both doors)
23	17060	Thermostat Shield
24	67134	Thermostat Coil & Shaft
25	18640	Lock Plate
26	89041	Spring
27	84016	Cotter Key
28	17230	Thermostat Bracket
29	67187	Thermostat Ass'y
30	85079	Thermostat Dial Indicator
31	89130	Thermostat Knob
32	65980	Ash Pan
33	21039	Draft Manifold
34	67132	Draft Damper
35	17200	Draft Damper Pin
36	65960	Base
37	65950	Front Frame Ass'y
38	89066	Fire Brick (10 req.)
39	17130	Metal Liner Back
+	66000	Cabinet Left Side
+	66080	Grate Support
+	17260	Back Brace
+	17210	Smoke Curtain Hinge Pin
40	88032	Flue Collar Gasket
+	85153	Owners Manual
+	67266	Base Bottom

+ Not Illustrated

* Standard Hardware Item--May be purchased locally

Sears

**owners
manual**

MODEL NUMBER

143.840651

**HOW TO ORDER
REPAIR PARTS**

**SEARS SERVICE
IS AT YOUR SERVICE
WHEREVER YOU LIVE
OR MOVE IN THE U.S.A.**

AUTOMATIC WOOD BURNING CIRCULATOR

The Model Number will be found on a plate mounted on the back of the heater. Always mention the Model Number when requesting service or repair parts for your Heater.

All parts listed herein may be ordered through any SEARS, ROEBUCK AND CO., retail or catalog store.

WHEN ORDERING REPAIR PARTS, ALWAYS GIVE THE FOLLOWING INFORMATION AS SHOWN IN THIS LIST.

1. The PART NUMBER
2. The PART DESCRIPTION
3. The MODEL NUMBER
4. The NAME OF ITEM

If the part you need is not stocked locally, your order will be transmitted to a Sears Repair Parts Distribution Center for quick handling.

Your Sears merchandise takes on added value when you discover that Sears has over 2,000 Service Units throughout the country. Each is staffed by Sears-trained, professional technicians using Sears approved parts and methods.

Sears, Roebuck and Co., Chicago, Ill. 60684 U.S.A.