

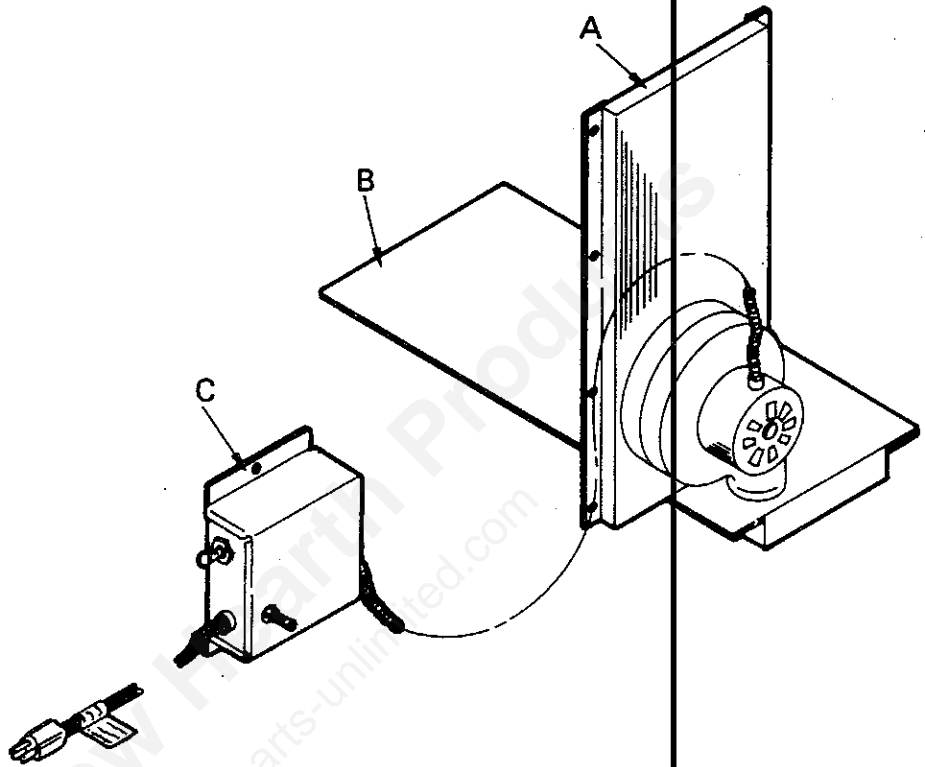
Sears

owners  
manual

Model No.  
143.840660

CAUTION:  
Read All Instructions  
Carefully Before Start-  
ing The Installation.

Save This Manual For  
Future Reference.



# BLOWER KIT

FOR

## WOODBURNING CIRCULATOR HEATER

- Installation
- Repair Parts

Sears, Roebuck and Co., Chicago, Ill. 60684 U.S.A.

FORM 85141B 7/82

# introduction

Your Blower Kit is shipped in three parts. It is completely wired and ready for attachment to your Circulator Heater.

NOTE: The 143-840660 Blower is listed by U.L. only when used with U.L. listed heaters. It is listed only by ETLM when used with ETLM listed heaters.

# Installation

1. Attach Vertical Inlet Duct (A) to Horizontal Outlet Duct (B) with (1) sheet metal screw.
2. Slide the Horizontal Outlet Duct (B) into the rails on the bottom of the heater base.
3. Attach the Vertical Duct (A) to the back of the Heater using (8) sheet metal screws.
4. Attach the Control Box (C) to back of Heater at the lower left corner using (2) sheet metal screws.

FIG. 1

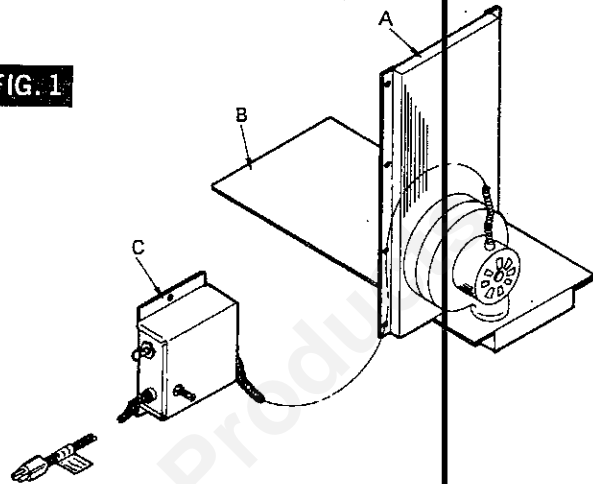


FIG. 2

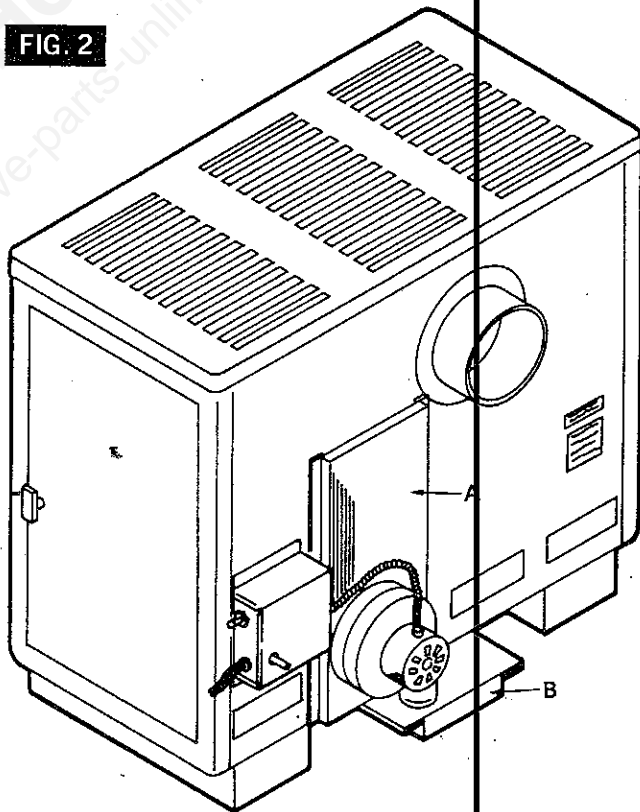
# operation

1. Plug the power supply cord into a 120 Volt A. C. outlet.
2. Light a fire in the Heater.
3. Turn the switch on the Blower Control Box to HIGH or LOW speed position. The Blower will Automatically turn on when the Heater reaches operating temperature, and will turn off when the Heater has cooled.

NOTE: The fan thermostatic switch can be adjusted to give longer or shorter "ON" periods by rotating the adjustment shaft on the back of the Control Box.

# maintenance

OIL THE BLOWER MOTOR TWICE A YEAR WITH 2 DROPS OF S.A.E. 20 OIL.



**Sears**

**owners  
manual**

**Model No.  
143.840660**

**HOW TO ORDER  
REPAIR PARTS**

**SEARS SERVICE  
IS AT YOUR SERVICE  
WHEREVER YOU LIVE  
OR MOVE IN THE U.S.A.**

# BLOWER KIT

Now that you have purchased your Blower Kit should a need ever exist for repair parts or service, simply contact any Sears Service Center and most Sears, Roebuck and Co. stores. Be sure to provide all pertinent facts when you call or visit.

The Model Number will be found on a plate mounted on the back of the heater. Always mention the Model Number when requesting service or repair parts for your Heater.

WHEN ORDERING REPAIR PARTS, ALWAYS GIVE THE FOLLOWING INFORMATION AS SHOWN IN THIS LIST.

1. The PART NUMBER
2. The PART DESCRIPTION
3. The MODEL NUMBER: 143.840660
4. The SERIAL NUMBER: \_\_\_\_\_

If the part you need is not stocked locally, your order will be transmitted to a Sears Repair Parts Distribution Center for quick handling.

When Sears arranges the installation, you can be sure the job is done right. We will arrange for professional workmanship.... and we'll take care of the entire project. What's more, during installation you get insured protection....against property damage and also against accidents to workmen. All you have to do is talk to your Sears salesperson or call your nearest Sears store today for detailed information.

**Sears, Roebuck and Co., Chicago, Ill. 60684 U.S.A.**