

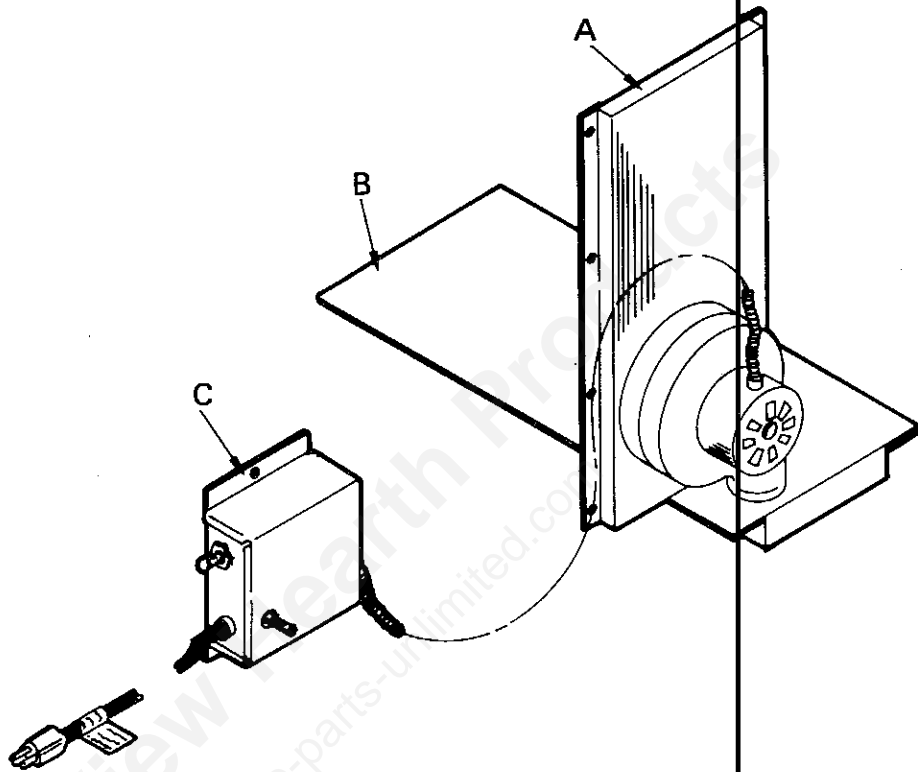
**Sears**

**owners  
manual**

**Model No.  
143.84067**

**CAUTION:**  
Read All Instructions  
Carefully Before Start-  
ing The Installation.

**Save This Manual For  
Future Reference.**



# **BLOWER KIT**

**FOR**

## **WOODBURNING CIRCULATOR HEATER**

- Installation
- Repair Parts

**Sears, Roebuck and Co., Chicago, Ill. 60684 U.S.A.**

## introduction

Your Blower Kit is shipped in three parts. It is completely wired and ready for attachment to your Circulator Heater.

NOTE: The 143.84066 Blower is listed by U.L. only when used with U.L. listed heaters. It is listed only by ETLM when used with ETLM listed heaters.

## Installation

1. Attach Vertical Inlet Duct (A) to Horizontal Outlet Duct (B) with (1) sheet metal screw.
2. Slide the Horizontal Outlet Duct (B) into the rails on the bottom of the heater base.
3. Attach the Vertical Duct (A) to the back of the Heater using (8) sheet metal screws.
4. Attach the Control Box (C) to back of Heater at the lower left corner using (2) sheet metal screws.

FIG. 1

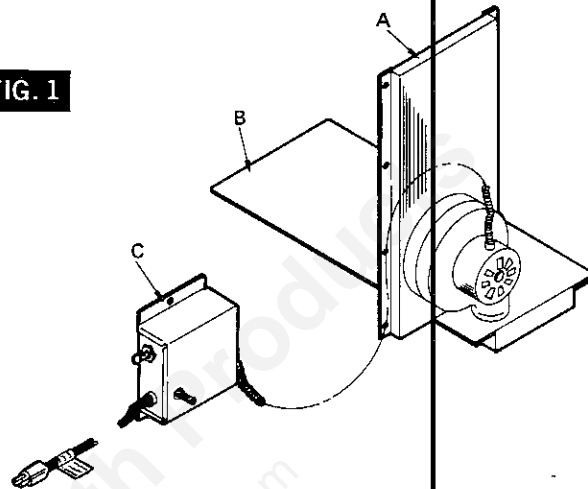
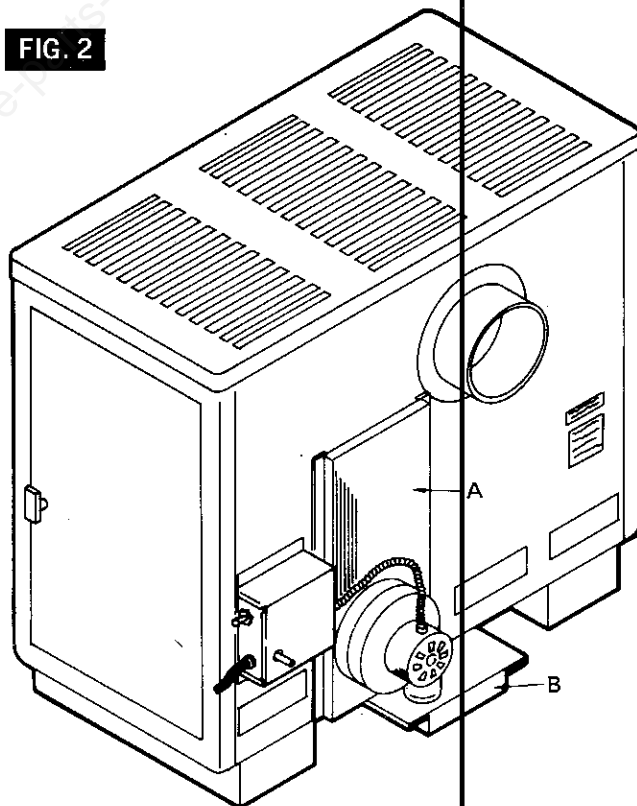


FIG. 2



## operation

1. Plug the power supply cord into a 120 Volt A. C. outlet.
2. Light a fire in the Heater.
3. Turn the switch on the Blower Control Box to HIGH or LOW speed position. The Blower will Automatically turn on when the Heater reaches operating temperature, and will turn off when the Heater has cooled.

NOTE: The fan thermostatic switch can be adjusted to give longer or shorter "ON" periods by rotating the adjustment shaft on the back of the Control Box.

## maintenance

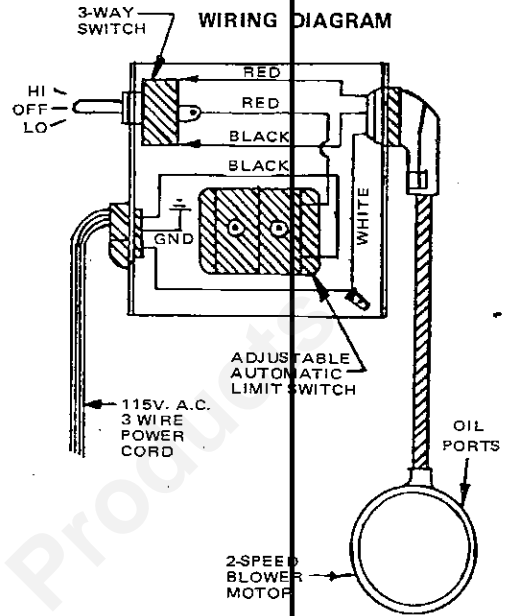
OIL THE BLOWER MOTOR TWICE A YEAR WITH 2 DROPS OF S.A.E. 20 OIL.

# repair parts

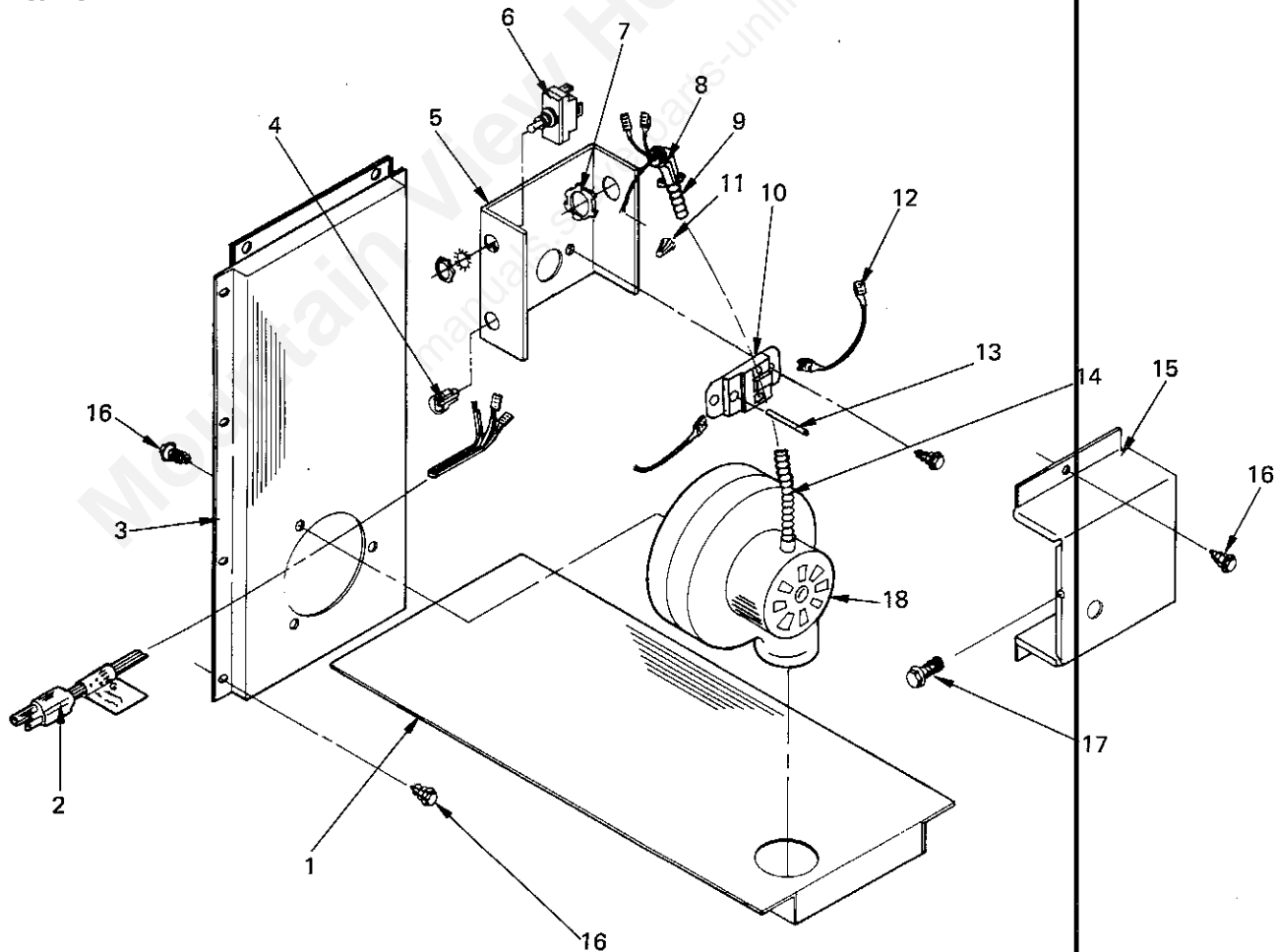
## SEARS BLOWER KIT MODEL NO. 143.84067

Key No.	Part No.	Description
1	66010	Duct, Outlet Air
2	80108	Cord, Electric Power Supply
3	17300	Duct, Inlet Blower
4	80109	Bushing, Strain Relief
5	21270	Plate, Mounting Control
6	80004	Switch, 3-Way
7	80069	Conduit Locknut
8	80062	Connector
9	83801	Bushing, Anti-Short (not visible)(2 Req'd)
10	80007	Switch, Fan Auto. Adj. (100° F, Med.)
11	80006	Nut, Wire
12	80085	Jumper Wire
13	89009	Sleeve, Adj. Nylon
14	80061	Conduit
15	21271	Cover, Control Blower
16	83216	Sheet Metal Screws (10Ax3/8) (18 Req'd.)
17	83222	Sheet Metal Screws (10B-3/8) (2 Req'd.)
18	80084	Motor
*	85141A	Owner's Manual (F642-19581)

\* Not shown



IF ANY OF THIS ORIGINAL WIRING MUST BE REPLACED, IT SHOULD BE REPLACED BY WIRING HAVING EQUIVALENT INSULATION AND TEMPERATURE RATING (105°C).



**Sears**

**owners  
manual**

**Model No.  
143.84067**

**HOW TO ORDER  
REPAIR PARTS**

**SEARS SERVICE  
IS AT YOUR SERVICE  
WHEREVER YOU LIVE  
OR MOVE IN THE U.S.A.**

# **BLOWER KIT**

When ordering repair parts for your accessory Blower Kit, always mention the model number of your heater.

All parts listed herein may be ordered from any Sears, Roebuck and Co. or Simpsons-Sears Limited retail or catalog store.

**WHEN ORDERING REPAIR PARTS, ALWAYS GIVE  
THE FOLLOWING INFORMATION:**

1. PART NUMBER
2. PART DESCRIPTION
3. MODEL NUMBER
4. NAME OF ITEM

If the parts you need are not stocked locally, your order will be transmitted to a Sears Repair Parts Distribution Center for quick handling.

Your Sears Merchandise takes on added value when you discover that Sears has over 1,200 Service Units throughout the country. Each is staffed by Sears-trained, professional technicians using Sears approved parts and methods.

**Sears, Roebuck and Co., Chicago, Ill. 60684 U.S.A.**