

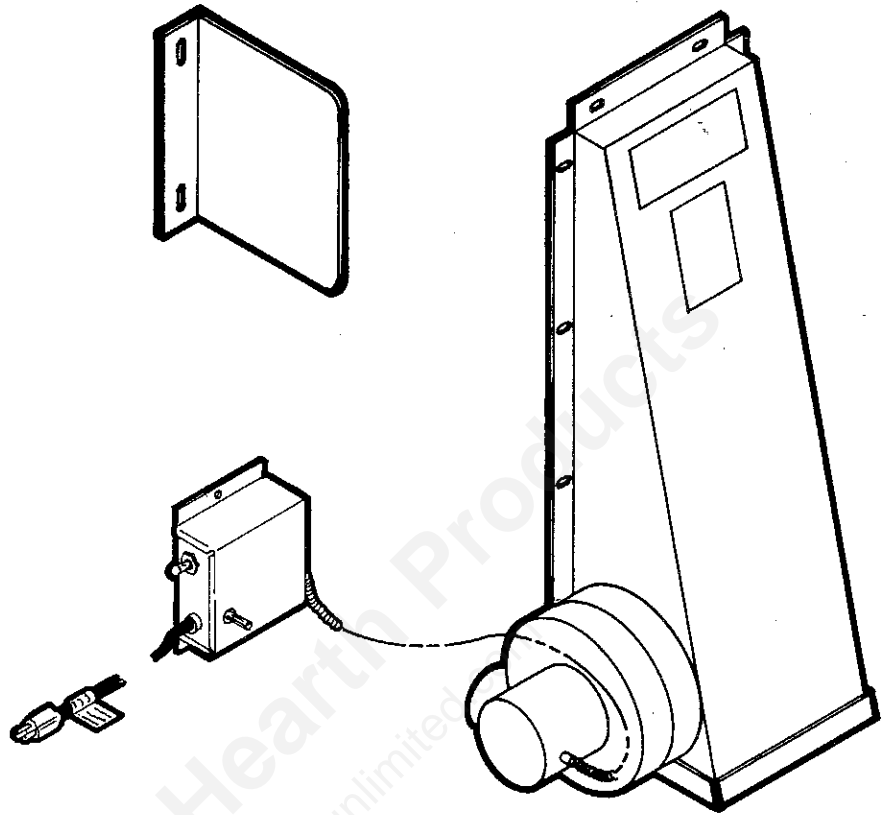
Sears

**owners
manual**

**Model No.
143.840670**

CAUTION:
Read All Instructions
Carefully Before
Starting the Installation
or Operating the Heater

**Save This Manual
For Future Reference**



BLOWER KIT

FOR

WOODBURNING CIRCULATOR HEATER

- Installation
- Repair Parts

Sears, Roebuck and Co., Chicago, Ill. 60684 U.S.A.

FORM 85392 - 12/82

introduction

Your Blower Kit is shipped in two parts. It is completely wired and ready for attachment to your Circulator Heater.

NOTE: The 143-840670 Blower is listed by U.L. only when used with U.L. listed heaters. It is listed only by ETLM when used with ETLM listed heaters.

Installation

INSTALL BLOWER USING PART I OR II OF THE INSTALLATION INSTRUCTIONS INSTALLATION OF BLOWER MOTOR TO INTAKE DUCT

1. To install the blower motor to the intake duct, position the blower on the intake duct as shown in Fig. 1.
2. Align the (3) holes in the blower housing with those in the intake duct.
3. Using 3 of the sheet metal screws provided, attach the blower to the duct.
4. The intake duct may now be installed on the heater using Part I or Part II of the installation instructions.

Part I is for Heater Models

LISTED BY UNDERWRITERS LABORATORIES

1. Attach Blower Inlet Duct (A) to cabinet back with (10) sheet metal screws.
2. Attach the Control Box (B) to back of Heater at the lower left corner using (2) sheet metal screws.
3. The control box shield is not required when the control box is mounted in the lower left corner. (Refer to Key 5, Page 7).

Part I

FIG. 1

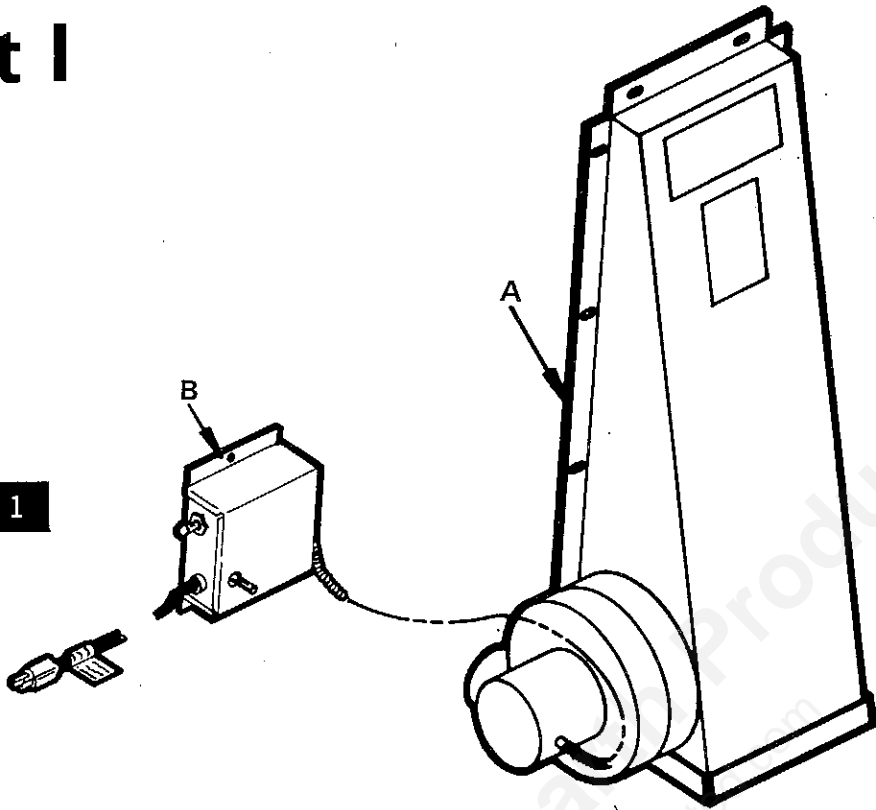
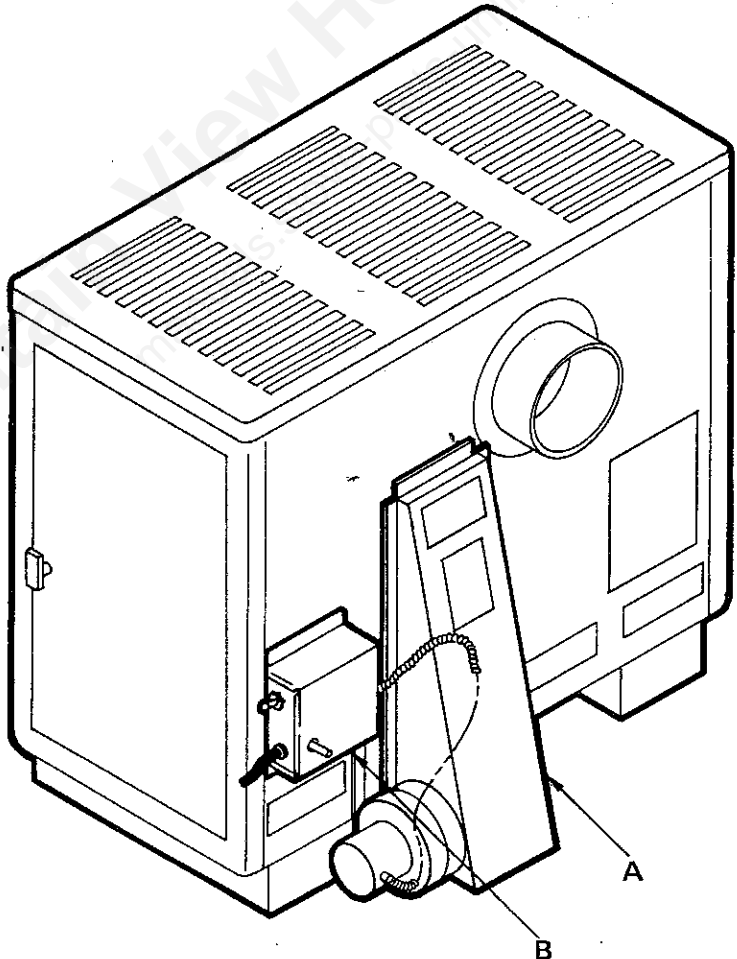


FIG. 2



Part II Is For Heater Models Engery Testing Laboratory of Maine

Installation

1. Attach Blower Inlet Duct (A) to cabinet back with (10) sheet metal screws.
2. Attach the Control Box (B) to back of Heater at the upper left corner using (2) sheet metal screws.
3. Attach control box shield (C) to cabinet back. Fig. 4.

Part II

FIG. 3

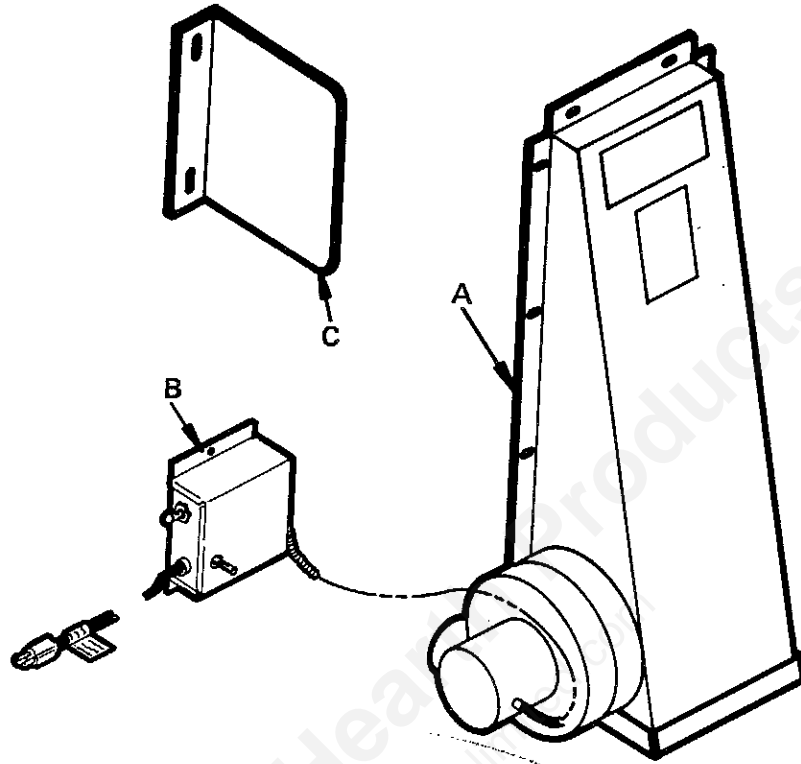
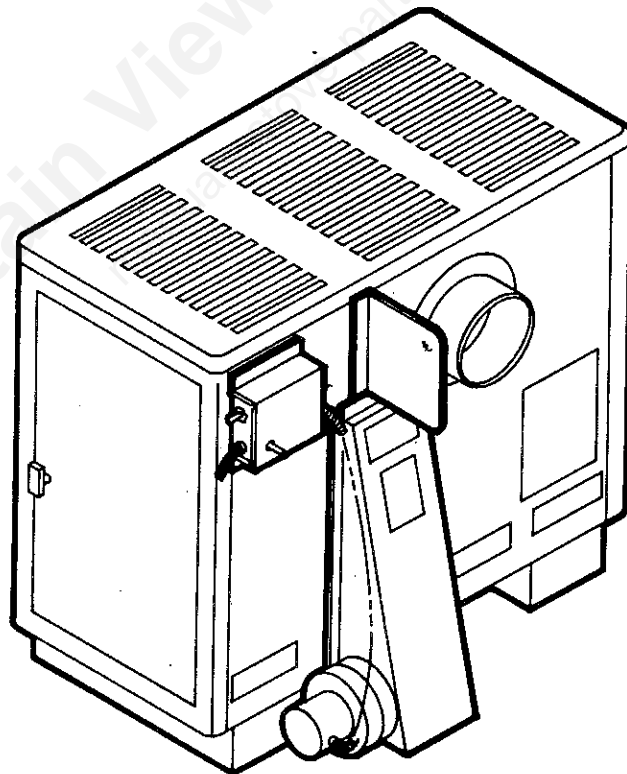


FIG. 4

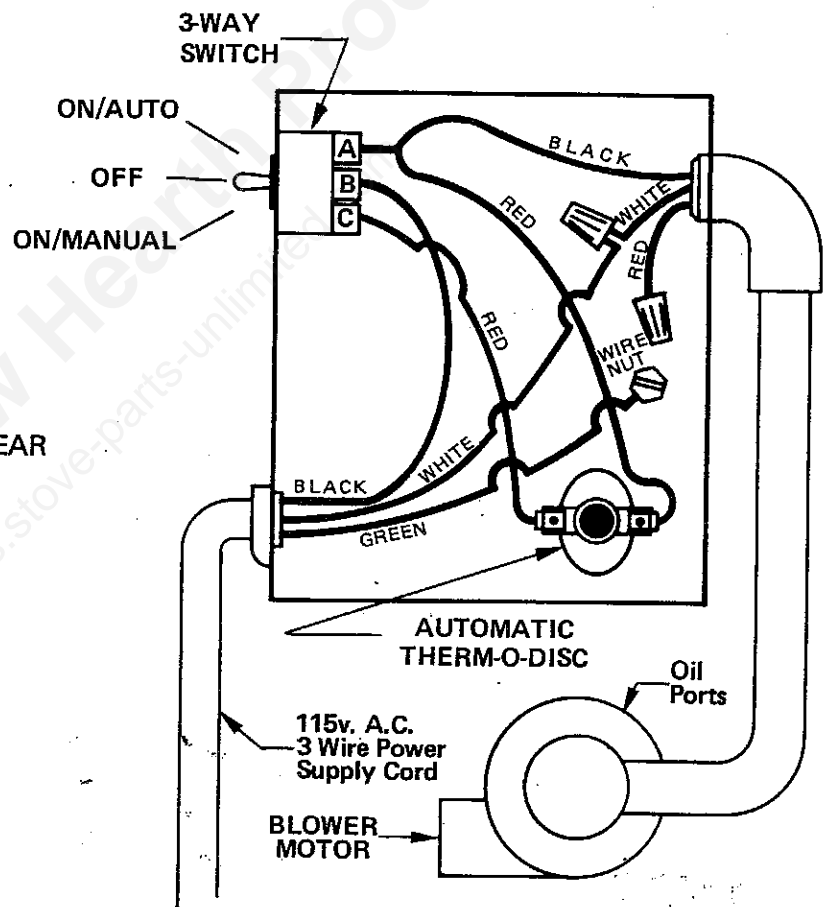


operation

1. Plug the power supply cord into a 120 Volt A. C. outlet.
2. Light a fire in the Heater.
3. Turn the switch on the Blower Control Box to either ON position. In the ON/MANUAL position, the blower will run until you turn it off. In the ON/AUTOMATIC position, the blower will turn on when the heater reaches operating temperature and will turn off when the heater has cooled.

maintenance

OIL THE BLOWER MOTOR TWICE A YEAR WITH 2 DROPS OF S.A.E. 20 OIL.



IF ANY OF THIS ORIGINAL WIRING MUST BE REPLACED, IT SHOULD BE REPLACED BY WIRING HAVING EQUIVALENT INSULATION AND TEMPERATURE RATING (105°C).

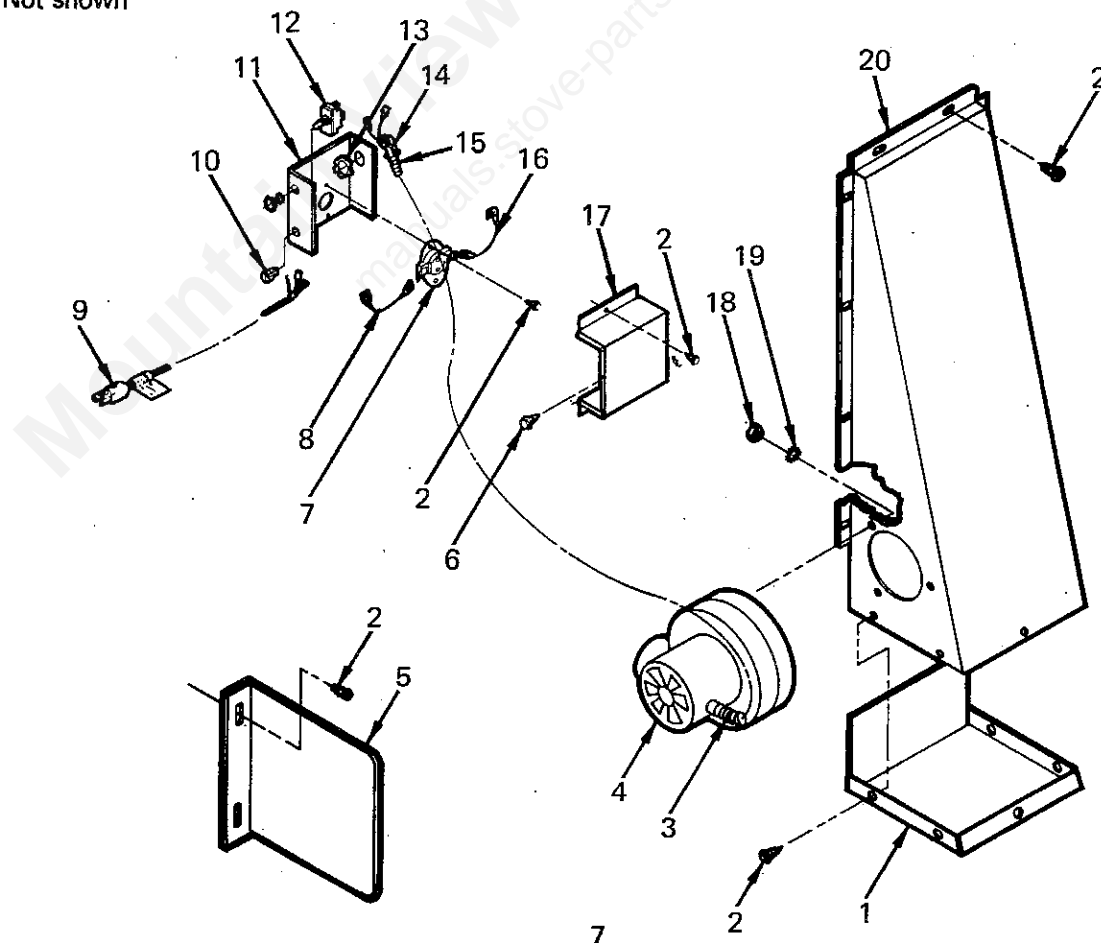
repair parts

SEARS BLOWER KIT

MODEL NO. 143.840670

Key No.	Part No.	Description
1	22018	Blower Bottom Cover
2	83245	Sheet Metal Screw No.10A x 3/8 Serrated Hex Washer, Slotted (23 Req'd.)
3	21807	Conduit (23" long)
4	80114	Blower
5	21272	Control Box Shield
6	83222	Sheet Metal Screw - 10B x 3/8 Serrated Hex Washer
7	80100	Limit Auto Adj. Switch
8	80085	Jumper Wire
9	80108	Power Supply Cord
10	80109	Strain Relief Bushing
11	21973	Mounting Control Plate
12	80004	3-Way Toggle Switch
13	80069	Conduit Locknut
14	80062	Connector
15	83801	Anti-Short Bushing
16	80110	Jumper Wire ("Piggy-Back")
17	21271	Control Box Cover
18	83004	Hex Nut (10-24) (3 Req'd.)
19	83213	Lock Washer - No. 10 Ext. Tooth Star (3 Req'd.)
20	22017	Blower Duct
*	85392	Owner's Manual (F642-22182)

* Not shown



Sears

**owners
manual**

**Model No.
143.840670**

**HOW TO ORDER
REPAIR PARTS**

**SEARS SERVICE
IS AT YOUR SERVICE
WHEREVER YOU LIVE
OR MOVE IN THE U.S.A.**

BLOWER KIT

Now that you have purchased your Blower Kit should a need ever exist for repair parts or service, simply contact any Sears Service Center and most Sears, Roebuck and Co. stores. Be sure to provide all pertinent facts when you call or visit.

The Model Number will be found on a plate mounted on the back of the heater. Always mention the Model Number when requesting service or repair parts for your Heater.

WHEN ORDERING REPAIR PARTS, ALWAYS GIVE THE FOLLOWING INFORMATION AS SHOWN IN THIS LIST.

1. The PART NUMBER
2. The PART DESCRIPTION
3. The MODEL NUMBER: 143.840670
4. The NAME OF ITEM: _____

If the part you need is not stocked locally, your order will be transmitted to a Sears Repair Parts Distribution Center for quick handling.

When Sears arranges the installation, you can be sure the job is done right. We will arrange for professional workmanship.... and we'll take care of the entire project. What's more, during installation you get insured protection....against property damage and also against accidents to workmen. All you have to do is talk to your Sears salesperson or call your nearest Sears store today for detailed information.

Sears, Roebuck and Co., Chicago, Ill. 60684 U.S.A.