

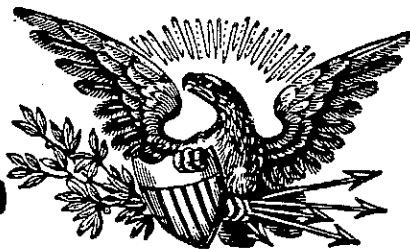
Sears

owners manual

MODEL NUMBER

143.841390

143.841490

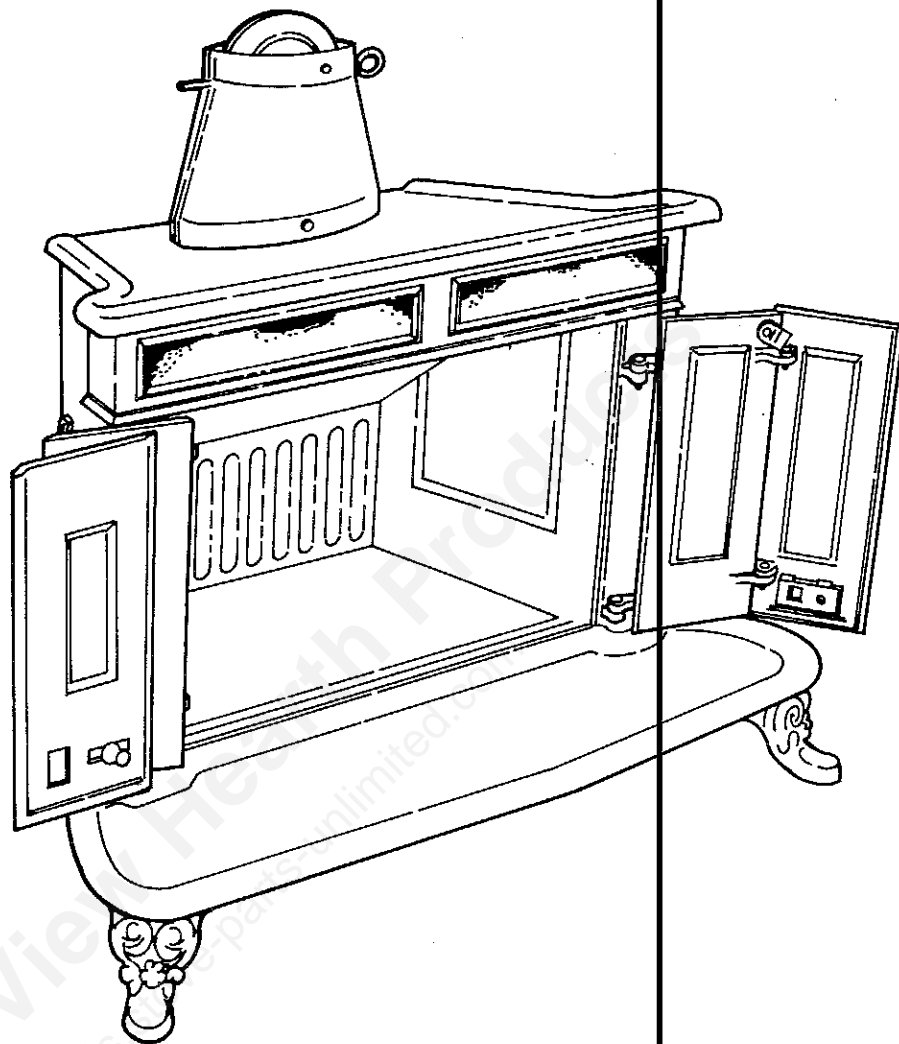


CAUTION:

**Read All Instructions
Carefully Before Start-
ing The Installation.**

Do not use this fireplace
in a mobile home or trailer.

**Save This Manual For
Future Reference.**



EARLY AMERICAN

Franklin Fireplace

- Assembly
- Installation
- Operation
- Repair Parts

Sears, Roebuck and Co., Chicago Ill. 60684 U.S.A.

Mountain View Hearth Products
manuals.stove-parts-unlimited.com

introduction

Please read our instructions before you install and use your new FRANKLIN FIREPLACE. This will help you obtain the full benefits from your FRANKLIN FIREPLACE. This will also help you avoid any needless service costs that result from causes we cannot control.

If you want your FRANKLIN FIREPLACE professionally installed, contact your SEARS SALESMAN. He will arrange for prompt, quality installation by SEARS AUTHORIZED INSTALLERS.

SEARS INSTALLATION POLICY

All installation labor arranged by SEARS shall be performed in a neat, workmanlike manner in accordance with generally accepted trade practices. Further, all installations shall comply with all local laws, codes, regulations, and ordinances. The customer shall also be protected, during installation, by insurance relating to property damage, workmen's compensation and public liability.

SEARS INSTALLATION WARRANTY

In addition to any warranty extended to you on the Sears merchandise involved, which warranty becomes effective the date the merchandise is installed, should the workmanship of any Sears arranged installation prove faulty within one year, Sears will, upon notice from you, cause such faults to be corrected at no additional cost to you.

rules for safe installation and operation

1. Read these rules and the instructions carefully. Failure to follow them could cause a malfunction of the fireplace. This could result in death, serious bodily injury, and/or property damage.
2. Check your local codes. The installation must comply with their rulings.
3. Do not install this fireplace in a mobile home or trailer.
4. Always connect this fireplace to a chimney and vent to the outside. Never vent to another room or inside a building.
5. Make sure the chimney is high enough to give a good draft. At least once each year, inspect the chimney and pipe to be sure it is clean inside. A build-up of soot will affect the draft and cause smoking. A chimney fire cannot happen in a clean chimney.
6. Always open damper before lighting fire.
7. Keep the ashpit section free of excess ashes. Failure to do so will cause grate warpage and burn out.
8. To hold a fire for a long period, place logs on fire and close front doors tight. Leave the bottom draft slides closed. Ashes may also be heaped on top of the fire for better holding. The damper should be opened. Where there is poor draft, it may be necessary to open door draft slides.
9. Do not burn more than one imitation log at a time. Follow the directions on these logs closely.
10. When the fire is out, always close the front doors, flue damper and draft slides. A warm flue will remove heat from the living space. **THIS IS ESPECIALLY IMPORTANT WHERE THE FRANKLIN FIREPLACE IS USED IN HOMES WHICH HAVE CENTRAL HEATING SYSTEMS.**
11. **CAST IRON PARTS MUST BE "SEASONED" TO AVOID CRACKING. BUILD ONLY SMALL FIRES DURING YOUR EARLY USE.** Never build extremely large fires in your Franklin.
12. To prevent injury, do not allow anyone who is unfamiliar with the operating instructions to use fireplace.

CAUTION: Do not touch the fireplace until it has cooled.

NOTE: Masonry Chimneys—Sears makes no recommendation as to the sizing for masonry chimneys, but it is our opinion that it should be no less than 100 square inches free cross-section area.

assembly and installation

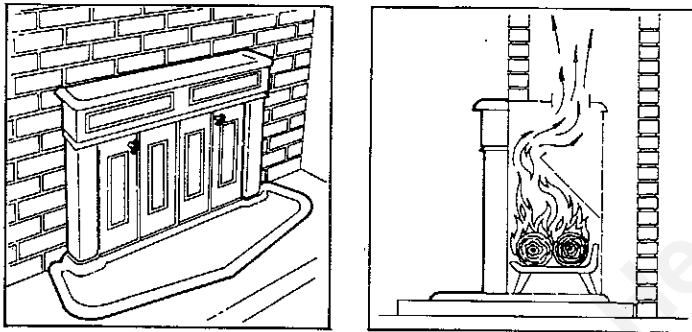
Uncrate the Franklin Fireplace. Remove the parts inside it. Tilt the Franklin toward the back and slide the front legs into the locking lugs. Then tilt the Franklin toward the front. Install the rear leg with the bolts supplied.

SELECTING A LOCATION

For a unique and very attractive installation, your Franklin may be placed in an existing fireplace opening (Fig. 1). This can be done either with or without the legs. Check the dimensions of your fireplace against the dimensions of your Franklin. If the opening is too large, you can fill it in with matching brick. If your fireplace has a good draft, it will have a good draft with the Franklin in place. Simply slide the Franklin into the opening and seal the opening.

FIG. 1 PLACEMENT IN EXISTING FIREPLACE

(Not for use with Shield Kits) (Not accepted by I.C.B.O.)



As a location is selected keep the following in mind:

1. The flue connection should be as short as possible. The fireplace should have its own chimney. No other appliance should be connected to the chimney. If there is no chimney near where you wish to place the Franklin, you can use a Sears Type "A" Prefabricated All-Fuel Chimney. See your Sears Salesman.
2. The floor should be level and fireproof. A solid concrete or brick floor is acceptable. If your floor is combustible, it should be covered with brick or patio stone at least 1-1/4" thick, set on piece of metal or asbestos millboard. The brick or stone must extend 21" to the rear of the Franklin, 18" to the front and 12" to either side (Fig. 4). The Heat Shield Kit shown in Figure 4 should be used when the Franklin is placed on a combustible floor.

FIG. 2 REQUIRED CLEARANCES

(TOP VIEW)

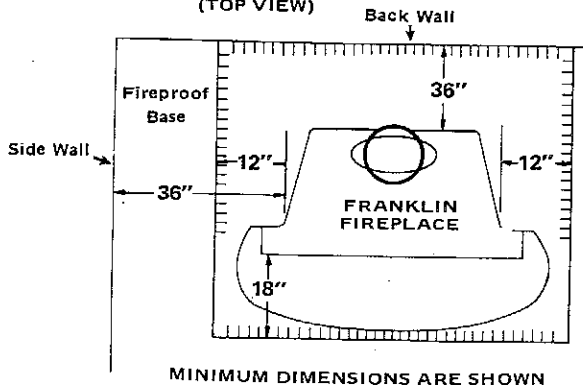
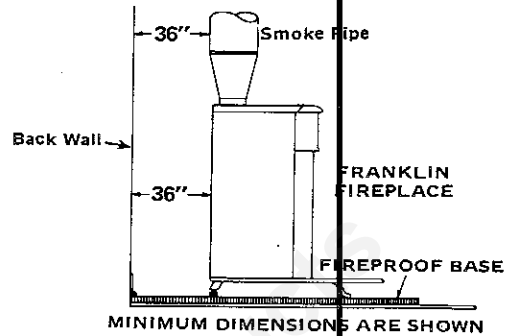


FIG. 3 REQUIRED CLEARANCES

(SIDE VIEW)



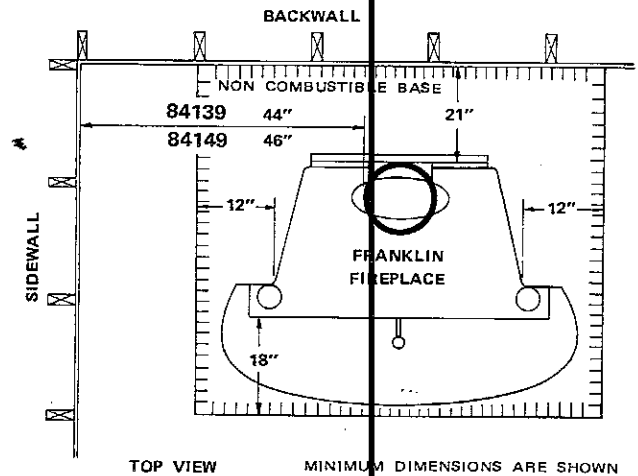
ACCESSORY HEAT SHIELD KIT

The 36" clearance to the back wall can be reduced to 18" if you use a special heat shield kit (Fig. 4). Order the kit stock No. shown for your model Franklin.

KIT STOCK NO.	FRANKLIN FIREPLACE MODEL NO.	FIREBOX OPENING
42-8426	143.841390	25 3/4"
42-84001	143.841490	30"

FIG. 4 REQUIRED CLEARANCES WITH HEAT SHIELD KIT

INSTALLED



If you have a solid brick or stone wall behind your Franklin, you can place the Franklin as close as you wish to the wall. If the wall is only faced with brick or stone, treat it as a combustible wall.

installation

You may wish to connect your Franklin to a Sears Type "A" ALL FUEL CHIMNEY (Figs. 6 and 7). This chimney is especially made for Sears Fireplaces. It has a stainless steel liner 8" in diameter. It is the same size as your Franklin smoke pipe. A "How To Install" booklet for Fireplaces and All Fuel Chimneys is available. Ask for it at the Plumbing and Heating Department at your local Sears Store.

Chimney height must be sufficient to create a good draft and minimize smoking. As a general guide, the chimney should extend 15 feet above the top of a 26" Franklin.

WARNING

Never connect a wood burning fireplace to an aluminum Type B gas vent. This is not safe and is prohibited by the National Fire Protection Association Code. If connecting to a prefabricated chimney be sure it is a Type "A" ALL-FUEL CHIMNEY having a stainless steel liner. The liner must be at least 8" inside diameter. The Type "A" ALL-FUEL CHIMNEY must be used even if gas logs are used.

Look at Fig. 5. The 8 inch diameter smoke pipe and fittings you will need to connect to a masonry chimney or a Sears ALL-FUEL CHIMNEY on the outside wall are shown. These are all available at Sears. If you are using a Sears chimney, also obtain connector adapter Stock No. 42-8413.

If your Sears ALL-FUEL CHIMNEY starts at the ceiling (Fig. 7), you will need only enough Pipe to reach the ceiling, a finishing collar, and a connector adapter, Stock No. 42-8413.

Be sure that you have at least 18" of clearance between the horizontal piping and the ceiling. (Fig. 6)

CONDENSATION NOTE

In cold climates, warm, moist house air escaping through the fireplace damper can cause condensation to form on the cold, inside walls of a metal chimney. This can cause water to drip into the fireplace. This occurs when the fireplace is not in use.

Metal prefabricated chimneys, perform well if properly installed. The following precautions must be observed:

1. Make chimney sections absolutely vertical. Do not allow any pipe or chimney sections to be cocked.
2. The installation shown in Fig. 6 will avoid the problem of condensation. The elbow to the outside and the insulated tee offset the chimney. Any condensation stays outside the house.

FIG. 5

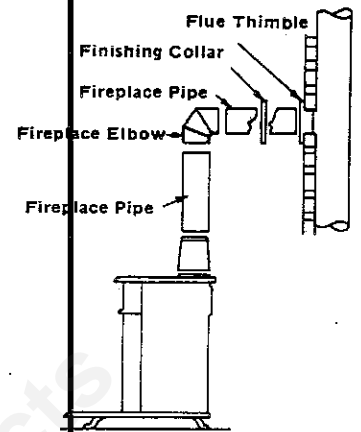


FIG. 6

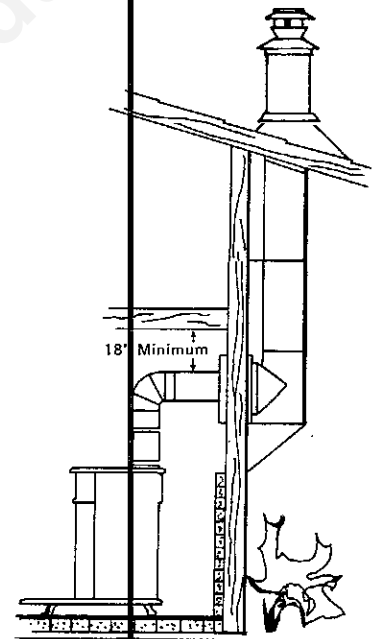
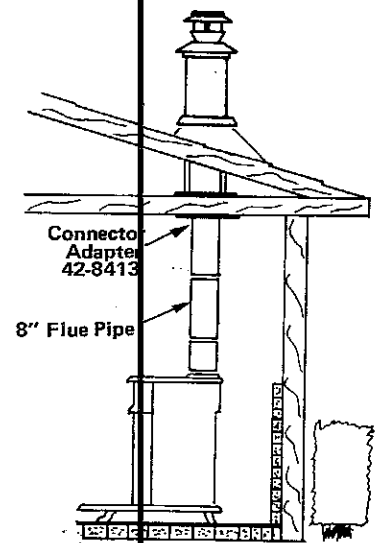


FIG. 7



operation

FIREWOOD SELECTION

1. A mixture of soft woods for easy lighting and hard woods for slow, long burning fires is recommended.
2. All firewood should be split and air-dried (seasoned) for at least six months for efficient burning.

TO BUILD A FIRE IN THE FRANKLIN FIREPLACE

1. Open the damper by pulling the damper knob outward.
2. Place paper, kindling, and small logs in the grate basket.
3. Preheat the flue by placing a roll or wad of paper on the smoke shelf near the flue opening and lighting the paper.
4. Light the paper and firewood in the grate. The doors can be partially or fully closed to reduce the tendency of smoke to drift into the room until the chimney is fully heated.
5. The rate of burning can be controlled by reducing the damper opening or by closing the front doors.
6. When operating the Franklin with the doors open, a firescreen should be used to prevent sparks from entering the room.

NOTE: Operate your franklin Fireplace with the doors closed whenever possible. This will use less wood, give more heat in the room and will prevent smoke from entering the room when the chimney draft is not adequate.

IF FIREPLACE SMOKES, CHECK THE FOLLOWING

A. Chimney

1. Chimney should extend at least 3 feet above the highest point where it passes through the roof. It should also be at least 2 feet higher than any portion of the building within 10 feet.
2. The fireplace chimney should have no other appliances attached to it. All unused openings and the clean-out door at the chimney base should be sealed.
3. The draft or "drawing" of the fireplace is fully dependent on the chimney. A chimney must be high enough and warm enough to provide draft. Adding chimney height should improve draft.
4. Flue pipe inserted too far through a thimble into chimney opening.
5. Pipe obstructed with soot. Regular cleaning of the chimney is recommended for maximum efficiency and to reduce the danger of chimney fires.

B. Helpful Hints

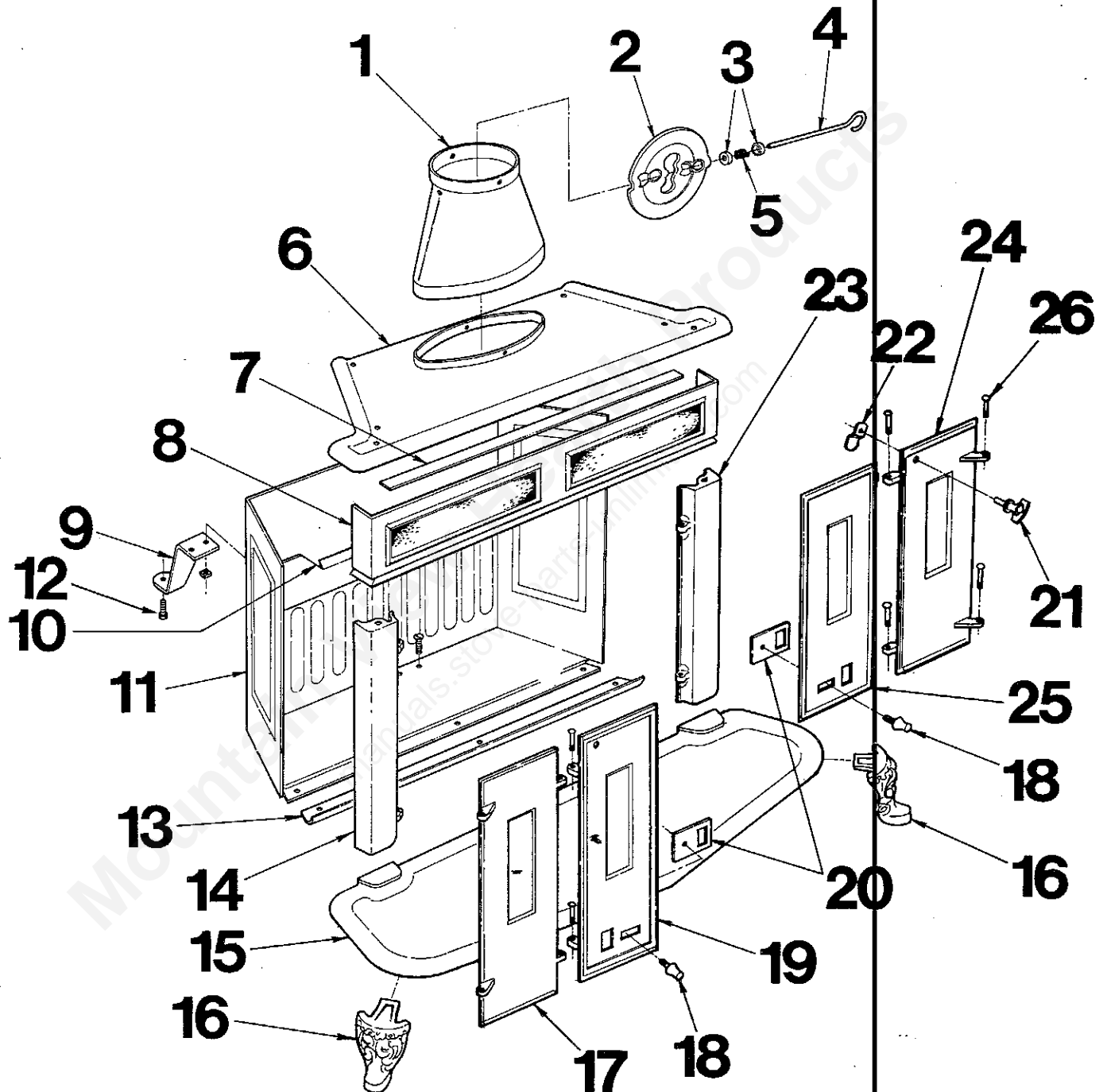
1. Starting a fire in a cold room tends to produce smoke while the chimney is cold. When the chimney warms up, the smoking should stop.
2. Fire should be built to the rear of the firebox.
3. When adding fuel, make sure that the damper is open.
4. The use of the grate basket promotes a better fire and minimizes smoke.
5. Use well-seasoned firewood to reduce smoking and provide maximum heating efficiency.

C. Air Supply

1. A tightly constructed home with well fitting windows, weather stripping and storm sash has little air infiltration. No air will move up the chimney unless air enters the room containing the fireplace. A tight house should have a fresh air intake of at least 25 square inches in area. If there is no air intake in the room with the fireplace, air must be provided through open windows and doors when the fireplace is operating.
2. Ventilating fans move large volumes of air. If normal air infiltration is not great enough to satisfy the needs of a fireplace AND ventilating fan, air will be drawn down the chimney creating a smoking condition. The fresh air intake must provide enough for both.
3. A furnace or boiler also requires an air supply for proper burning. This air must be provided in addition to the fireplace and other needs.

repair parts

SEARS FRANKLIN FIREPLACE
MODEL NUMBERS 143.841390 & 143.841490



repair parts

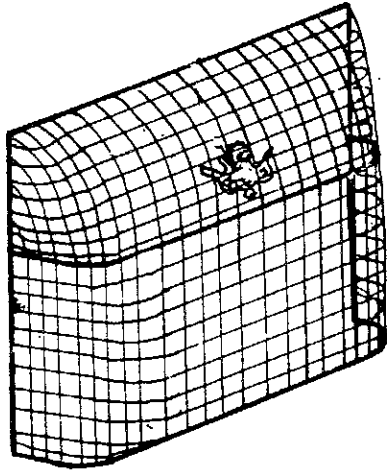
SEARS FRANKLIN FIREPLACE
 MODEL NUMBERS 143.841390 & 143.841490

KEY	143.841390	143.841490	NAME
	PART NO.	PART NO.	
1	67196	67196	Reducer
2	21514	21514	Damper
3	21515	21515	Spring Clip
4	21516	21516	Damper Rod
5	89136	89136	Spring
6	67432	67498	Main Top
7	88045	88044	Seal Strip
8	40095	40145	Upper Front
9	21189	21189	Adjustable Leg
10	21198	21184	Baffle
11	67239	67234	Jacket
12	83113	83113	Leg, Leveler
13	21199	21186	Door Stop
14	40094	40094	Left Column
15	67241	67235	Hearth
16	40023	40023	Leg (2 Required)
17	40096	40146	Left Outer Door
18	40022	40022	Slide Knob (2 Required)
19	40097	40147	Left Center Door
20	21188	21188	Draft Slide (2 Required)
21	40021	40021	Door Handle
22	21187	21187	Door Catch
23	40134	40134	Right Column
24	40098	40148	Outer Right Door
25	40099	40149	Right Center Door
26	83114	83114	Hinge Pin
	85179	85179	Owners Manual

accessories

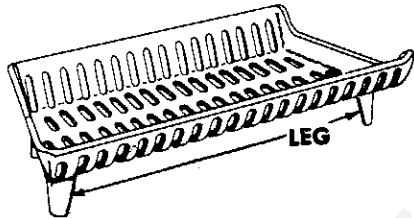
SEARS FRANKLIN FIREPLACE
 MODEL NUMBERS 143.841390 & 143.841490

THE FOLLOWING ITEMS ARE NOT PART OF YOUR FRANKLIN FIREPLACE,
 BUT MAY BE ORDERED SEPARATELY.



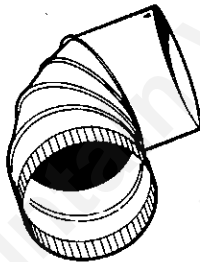
PARLOR SCREEN

KEY NO.	MODEL NO.		DESCRIPTION
	143.841390	143.841490	
-	42-84071	42-84005	Screen Complete
1	11450	11450	Handle Bracket
2	89079	89079	Handle, Ornamental
3	67199	67201	Basket Screen



CAST IRON GRATE BASKET

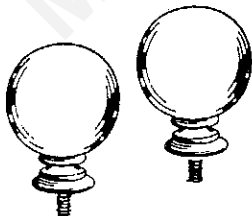
KEY NO.	MODEL NO.		DESCRIPTION
	143.841390	143.841490	
-	42-84028	42-84004	Grate Basket Complete
1	40005	40007	Basket
2	40006	40006	Leg (4 Required)



8" ELBOW 42-84022

Pipe and accessories are finished in mat black, heat resistant, silicone paint to complement the Franklin. Made of heavy weight 24 gauge steel for long life.

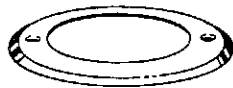
Connectors and other parts for installation of Sears Pre-Fab chimneys are also available.



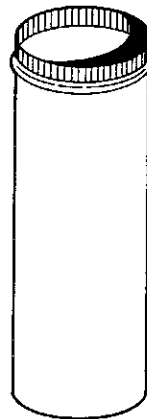
DECORATIVE BRASS KNOBS

42-8429

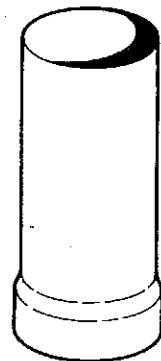
Set of two (2) Easily Installed on Franklin top.



8" COLLAR 42-84031



8" x 2" PIPE 42-84023



CONNECTOR ADAPTOR 42-8413

accessories

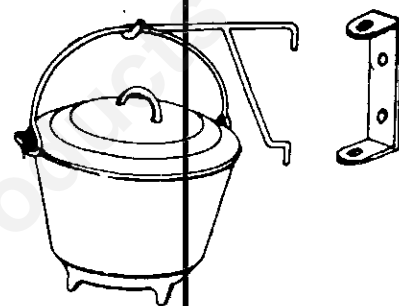
SEARS FRANKLIN FIREPLACE

MODEL NUMBERS 143.841390 & 143.841490

THE FOLLOWING ITEMS ARE NOT PART OF YOUR FRANKLIN FIREPLACE,
BUT MAY BE ORDERED SEPARATELY.

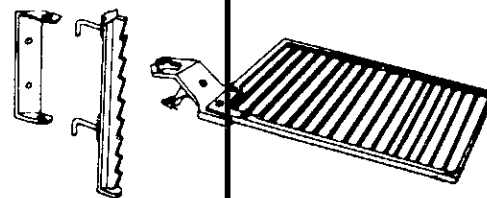
BOSTON BEAN POT WITH CRANE HOOK --- NO. 42-84025

KEY NO.	PART NO.	NAME OF PART
	42-84025	Pot and Hook Complete
1	40009	Pot
2	40010	Cover
3	21133	Handle
4	67197	Crane Hook
5	21132	Bracket



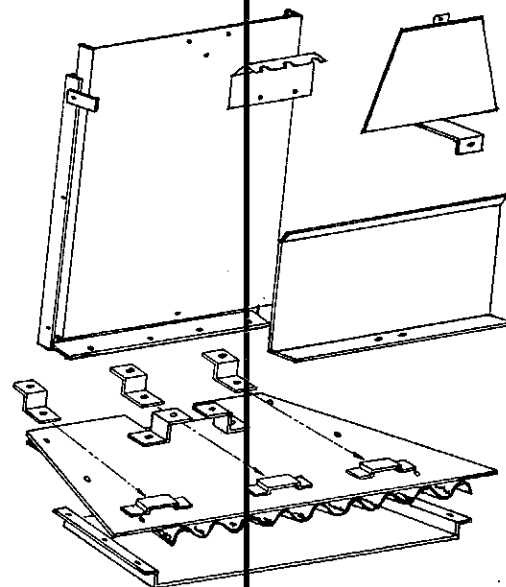
CAST IRON BARBECUE GRID --- NO. 42-84019

KEY NO.	PART NO.	NAME OF PART
	42-84019	Grid, Complete
1	40004	Support, Grill
2	40002	Arm, Grill
3	40003	Leg, Grill Adjusting
4	40001	Grill
5	21132	Bracket



HEAT SHIELD KIT

KEY NO.	QTY.	PART NUMBERS FOR KIT NUMBERS		DESCRIPTION
		143.841390	143.841490	
		42-8426	42-84001	Kit Complete
1	1	21558	21579	Inner Rear Liner
2	5	18760	18760	Mounting Bracket - Bottom
3	1	67505	67506	Inner Bottom Shield Asm.
4	1	19590	19450	Bottom Shield
5	1	67499	67501	Rear Heat Shield Asm.
6	1	21590	21590	Mounting Bracket - Back Shield
7	1	19550	19550	Reducer Shield
*	14	83165	83165	Metal Screw - No. 10 x 1/2" Slotted Hex Head
*	5	83001	83001	Nut - 1/4 - 20
*	1	85227	85227	Owners Manual (F642-4678)



Sears

**owners
manual

service**

MODEL NUMBER

143.841390

143.841490

HOW TO ORDER

REPAIR PARTS

**TELL SEARS YOU
WANT IT INSTALLED
THEN RELAX**

EARLY AMERICAN

Franklin Fireplace

Now that you have purchased your Franklin Fireplace should a need ever exist for repair parts or service, simply contact any Sears Service Center and most Sears, Roebuck and Co. stores. Be sure to provide all pertinent facts when you call or visit.

The **model number** of your Franklin Fireplace will be found on a plate mounted on the back of the Fireplace.

WHEN ORDERING REPAIR PARTS, ALWAYS GIVE THE FOLLOWING INFORMATION:

- PART NUMBER
- MODEL NUMBER
- PART DESCRIPTION
- NAME OF ITEM

All parts listed may be ordered from any Sears Service Center and most Sears stores.

If the parts you need are not stocked locally, your order will be electronically transmitted to a Sears Repair Parts Distribution Center for handling.

When Sears arranges the installation, you can be sure the job is done right. We will arrange for professional workmanship . . . and we'll take care of the entire project. What's more, during installation you get insured protection . . . against property damage and also against accidents to workmen. All you have to do is talk to your Sears salesperson or call your nearest Sears store today for detailed information.

Sears, Roebuck and Co., Chicago, Ill. 60684 U.S.A.