

# Sears

## owners manual

### MODEL NUMBER

143.842571

143.842591

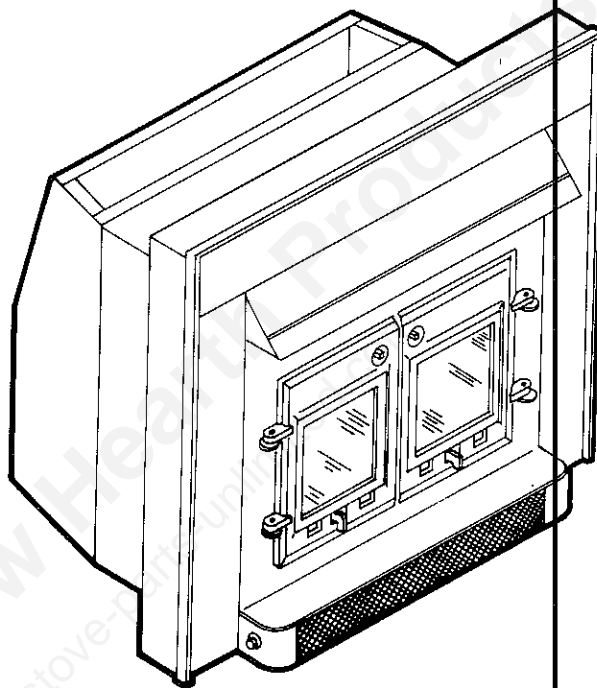
### CAUTION:

Read All Instructions  
Carefully Before  
Starting the Installa-  
tion or Operating the  
Heater

**Do Not Use This  
Heater in Mobile  
Homes or Trailers**

Save This Manual  
For Future Reference

# Fireplace Wood Heater



## For Use In Masonry Fireplaces

- Installation
- Operation
- Repair Parts

Mountain View Hearth Products  
manuals.stove-parts-unlimited.com

## CONTENTS

Rules for Safe Installation and Use.....	4
Locating the Fireplace Heater.....	5
Minimum Clearances to Combustible Surfaces.....	6
Installation.....	7
Assembly.....	8
How To Use Your Fireplace Heater.....	9
Blower Use.....	10
Chimney Care.....	10
Service and Maintenance.....	11
Parts List (Sears Wood Heater Blower).....	13
Parts List (Sears Wood Heaters).....	15

## introduction!

Please read our instructions before you install and use your new Wood Burning Heater. This will help you obtain the full benefits from your heater.

If you want your heater professionally installed, contact your SEARS SALESMAN. He will arrange for prompt, quality installation by SEARS AUTHORIZED INSTALLERS.

### SEARS INSTALLATION POLICY

All installation labor arranged by SEARS shall be performed in a neat, workman-like manner in accordance with generally accepted trade practices. Further, all installations shall comply with all local laws, codes, regulations, and ordinances. The customer shall also be protected, during installation, by insurance relating to property damage, workmen's compensation and public liability.

### SEARS INSTALLATION WARRANTY

In addition to any warranty extended to you on the Sears merchandise involved, which warranty becomes effective the date the merchandise is installed, should the workmanship of any Sears arranged installation prove faulty within one year, Sears will, upon notice from you, cause such faults to be corrected at no additional cost to you.

## tools and materials needed

### TOOLS

Tape Measure  
Screwdriver  
Pliers  
Gloves

### MATERIALS

(See Hearth Leveling Instructions, Page 6)  
One bag concrete - sand mix

# safety rules

Read these rules and instructions carefully. Failure to follow them could cause a malfunction of the heater. This could result in death, serious bodily injury and/or property damage.

1. Check your local building and fire codes. This installation must comply with their rulings.
  2. Install the Fireplace Heater only in a masonry fireplace with a masonry chimney.  
**DO NOT** install this Fireplace Heater in a factory-built metal fireplace.  
**DO NOT** connect this Fireplace Heater to a metal factory-built chimney.  
**DO NOT** use this Fireplace Heater as a free-standing heater. It must be installed in a masonry fireplace.
  3. Be sure the masonry fireplace chimney is clean and in a safe condition. Inspection by a Mason or a Chimney Sweep is recommended.
  4. Make sure the masonry chimney is high enough to give a good draft.
  5. Inspect the chimney before and frequently during the heating season for any deposit of creosote or soot. Such deposits must be removed. See CHIMNEY MAINTENANCE, Page 10.
  6. A grate may be used in this heater.
  7. Provide air for combustion from outside the house into the room where the Fireplace Heater is located. Opening a nearby window 1/4 inch will be adequate.
  8. **CAUTION:** The special enamel used on your Fireplace Heater may give off some smoke while it is curing during the first few fires. Build small fires at first.
  9. **CAST IRON PARTS AND THE CAST REFRACTORY BASE MUST BE "SEASONED" TO AVOID CRACKING. BUILD ONLY SMALL FIRES DURING THE FIRST FEW DAYS OF USE.**
  10. To prevent injury, do not allow anyone who is unfamiliar with its operation to use the heater.
  11. For additional information on using your Fireplace Heater safely, obtain a copy of the National Fire Protection Association (NFPA) publication "Using Coal and Wood Stove Safely" NFPA No. HS-10-1978. The address of NFPA is Battery March Park, Quincy, MA 02269.
  12. **DISPOSAL OF ASHES** - Place ashes in a metal container with a tight fitting lid. Keep the closed container on a noncombustible floor or on the ground well away from all combustible materials. Keep the ashes in the closed container until all cinders have thoroughly cooled. The ashes may be buried in the ground or picked up by a refuse collector.
  13. Keep the ashpit free of excess ashes.
  14. Observe clearances to combustible materials specified in this manual to avoid a fire hazard.
- CAUTION:** DO NOT TOUCH the metal or glass surfaces of the heater until it has thoroughly cooled.

# locating the fireplace heater

The heater is to be located in an existing solid masonry fireplace. **DO NOT INSTALL THIS HEATER IN A FACTORY-BUILT METAL OR ZERO CLEARANCE FIREPLACE.**

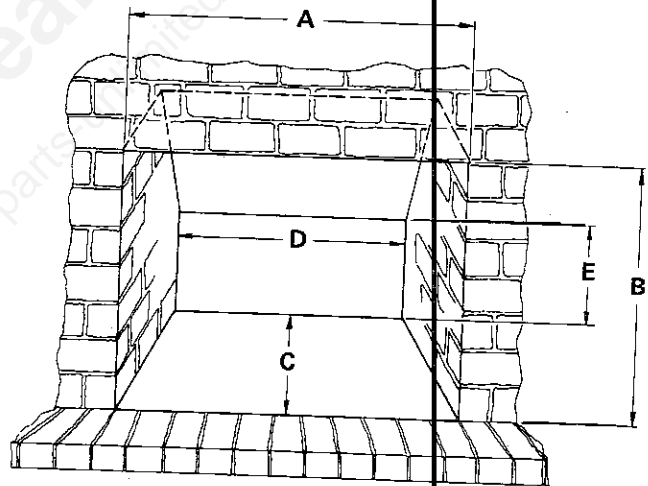
The fireplace must have a masonry chimney with an approved flue tile liner. Inspect the chimney

carefully to be sure that it is clean and that the tile and masonry is in a safe condition.

Measure the fireplace width, height and depth as shown in the following Table. The fireplace opening dimensions must fall within the dimensions shown in this Table for proper and safe installation.

FIREPLACE OPENING DIMENSIONS	143.842571		143.842591	
	MORE THAN	LESS THAN	MORE THAN	LESS THAN
A	29"	38"	35"	44"
B	28"	32"	28"	32"
C	17½"	—	17½"	—
D	19"	—	25"	—
E	15"	—	15"	—

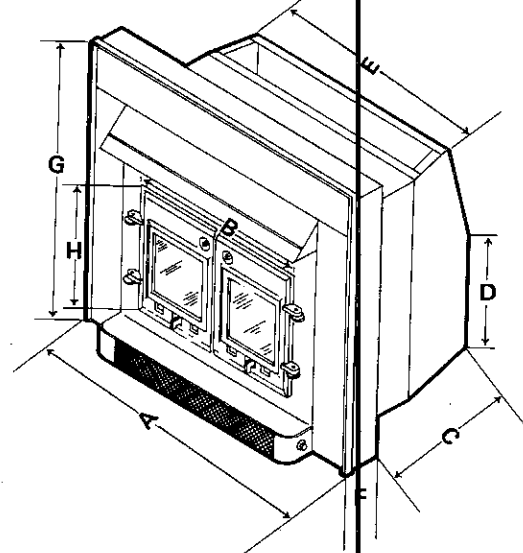
**FIG. 1** Fireplace Opening Dimensions



## FIREPLACE HEATER DIMENSIONS

	143.842571	143.842591
A	40"	46"
B	21"	27"
C	17-3/4"	17-3/4"
D	14-1/4"	14-1/4"
E	18-1/2"	24-1/4"
F	3-1/2"	3-1/2"
G	32-1/2"	32-1/2"
H	14	14

**FIG. 2** Fireplace Heater Dimensions



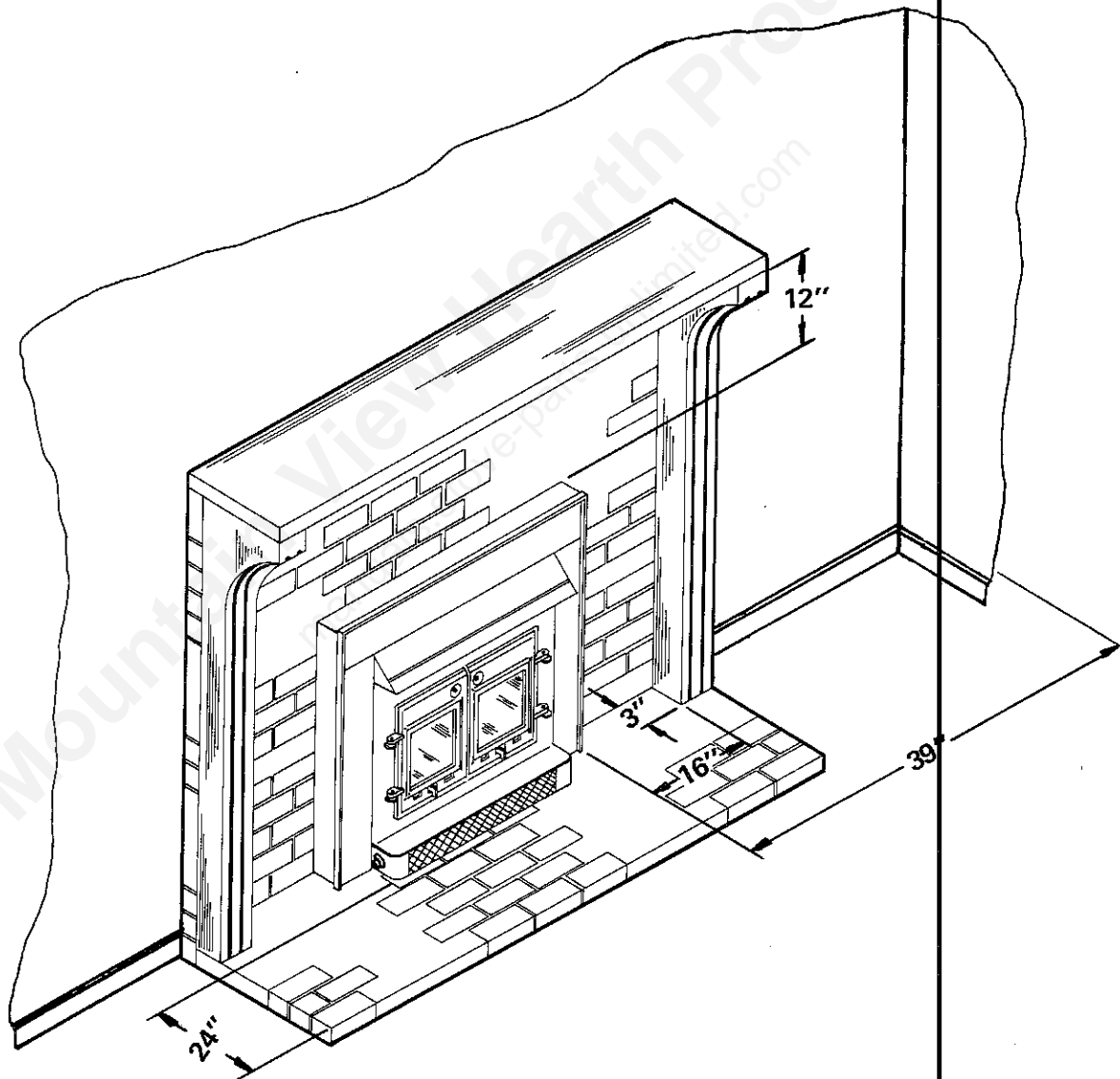
# minimum clearances to combustible surfaces

The clearances shown below must be maintained between the edge of the Fireplace Heater and decorative wooden mantels or mantel supports. If the wood trim or mantel of your fireplace is closer to the heater than these dimensions, they must be moved to at least the dimensions shown. Failure to have these clearances could cause the mantel or

wood trim to catch fire.

The brick or stone hearth extension of your fireplace must extend a minimum of 24" in front of the Fireplace Heater. Clearance to any combustible side wall must be a minimum of 39" as shown in the figure below.

**FIG. 3**



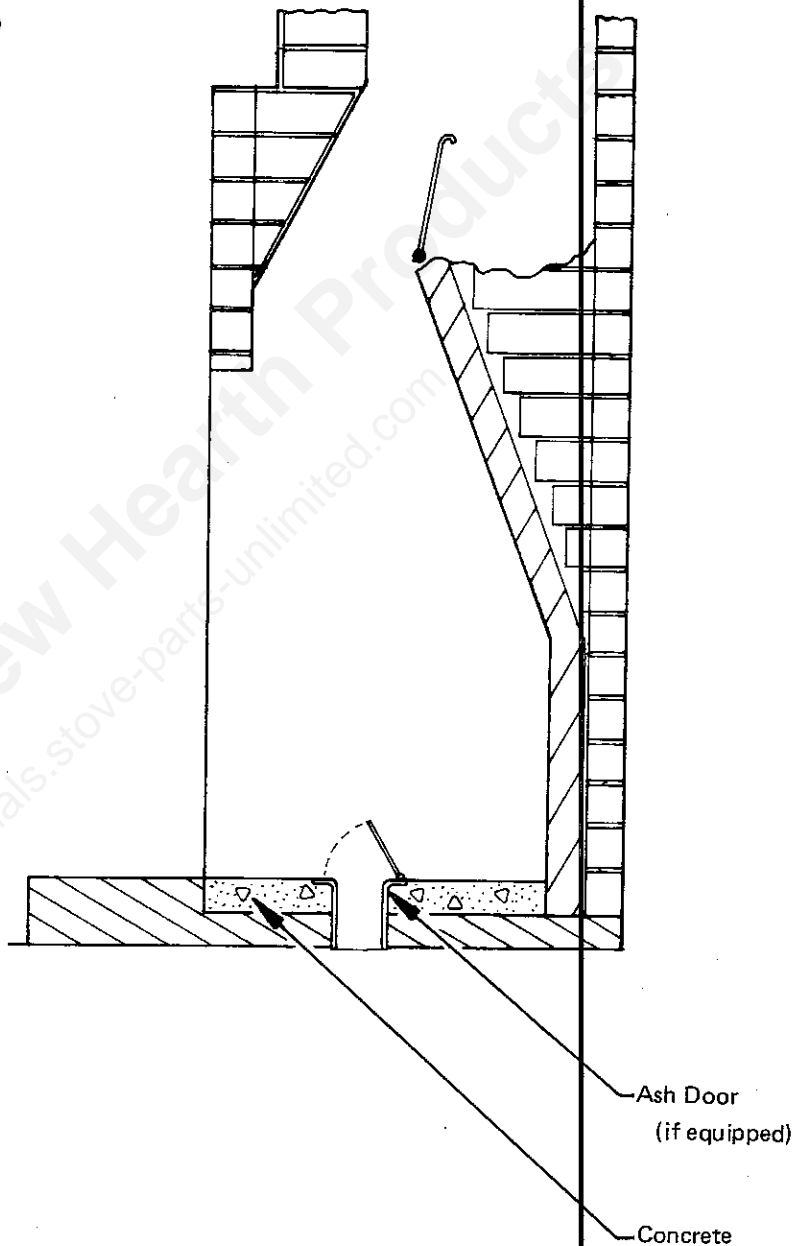
# installation

1. **DAMPER** - The damper in the masonry fireplace must be removed or blocked open. Secure the damper handle so that it cannot accidentally cause the damper to close.
2. **LEVELING** - The heater must be level to assure a uniform burn and a proper fit of the trim to the front of the masonry fireplace. Place the heater flush with the hearth extension so that the heater can easily slide into or out of the fireplace opening. A method is shown below for making the heater level and flush with the hearth extension:

**LEVELING METHOD** - (Fig. 4) If the bottom of your present fireplace is uneven or is lower than the hearth extension, it may be filled with concrete. By mixing the concrete a little on the wet side, it will flow and be somewhat self leveling.

If you have an ash cleanout door, lift it enough to sit flush with the new fireplace hearth.

**FIG. 4** Concrete Method



# assembly instructions

After the fireplace hearth has been leveled, the Fireplace Heater should be slid into position. Carefully check to see that the flue opening in the Fireplace Heater is unobstructed and that the smoke leaving the heater can rise directly into the fireplace chimney.

The cast iron Fireplace Heater doors may be removed by lifting them off their hinges. This will reduce the weight of the entire heater making it easier to slide in and out.

## TRIM ASSEMBLY

Slide the heater out about 6" to install trim.

1. Attach the outlet air deflector by placing it over the studs on top of the heater (Fig. 5).
2. Attach the right and left side trim pieces. Two wing nuts used on each piece. Raise the side trim until it is flush with the top of the Fireplace Heater before tightening the wing nuts (Fig. 5).
3. Place the top section of the Fireplace Heater trim in place as shown in (Fig. 6.) Use two wing nuts at each end to fasten the top trim to the side trim pieces. Install the remaining two wing nuts on the bolts in the center of the top trim. Tighten all of the wing nuts. Place trim bracket behind back flange of top and side trim. Align trim bracket with holes in top & side trim. Fasten trim bracket with the two flat head screws provided. (Fig. 6 & 8)
4. Install handle bracket on right trim side. Use the two screws provided. (Fig. 8)

## BRASS TRIM INSTALLATION INSTRUCTIONS

Although the illustrations (Fig. 5 & 6) show the brass trim already installed on the black trim, it will be necessary for you to install the one piece brass trim yourself. After the black trim is installed on the heater as per steps 1, 2, and 3 under trim assembly, take the one piece brass trim and mount it over the front corner of the black trim as partially shown in fig. 6, page 7. Using the brass screws, screw the brass trim to the black trim, checking to be sure that all parts fit snugly. After installation be sure to remove the protective covering from the brass trim.

## GRILL INSTALLATION

1. Remove grill and (4) 10-24 x 1/2 Machine Screws from parts bag.
2. Attach grill to hearth extension as shown in Fig. 7.

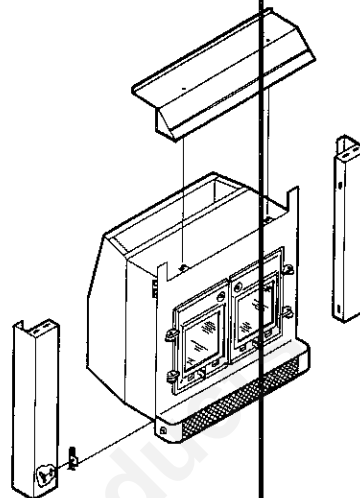
## GASKET INSTALLATION

The adhesive backed gasket attaches to the back side of the trim that you've just installed. This gasket will seal against the brick front of your fireplace (Fig. 8).

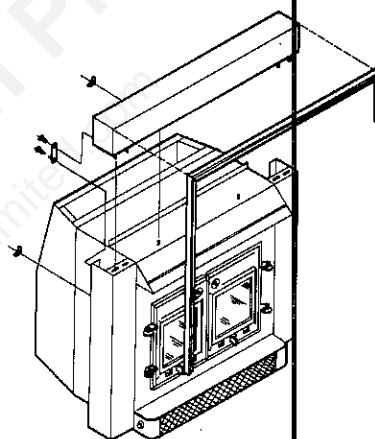
1. Measure and cut the gasket material into three pieces. The two side pieces are 32 1/4" long. The top gasket is 40" long for the 84257 and 46" long for the 84259.
2. Carefully remove the backing from the top gasket and install it across the full width of the top trim.
3. Remove the backing from each side trim gasket and install them.
4. Slide the Fireplace Heater back into your fireplace until the gasket seals securely against the fireplace front.

**NOTE:** If your fireplace front is irregular preventing the gasket from completely sealing, please order additional gasket material. It is important that the fireplace trim seal against the front of your fireplace to obtain proper drawing in the chimney and to prevent heat loss when the Fireplace Heater is not in operation.

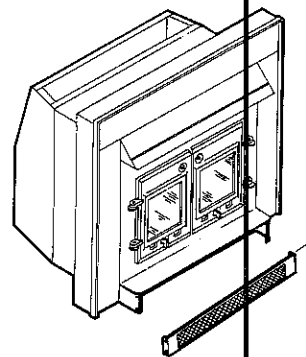
**FIG. 5** Side Trim Assembly



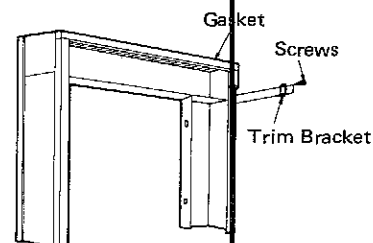
**FIG. 6** Top Trim Assembly



**FIG. 7** Brass Trim Assembly



**FIG. 8** Gasket Installation



# How To Use Your Fireplace Heater

## FUEL

Use hardwood that has been split and air-dried for at least 6 months. This will help you to get the most heat from the wood you burn. Use of an accessory grate in your heater is recommended. (see parts list)

## LIGHTING INSTRUCTIONS

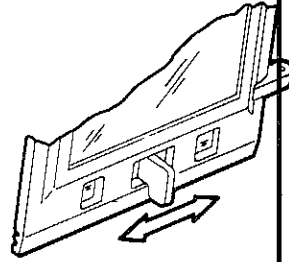
1. Open the air shutter on each door (fig. 9)
2. Open both doors and place crumpled paper and kindling on the grate or the firebox bottom.
3. Light the paper and close the doors until the kindling is burning.
4. Open the doors and add fuel as desired.

## EXTENDED OPERATION

1. The fireplace heater may be used with the doors open or closed. When the doors are open, place a fire screen which covers the entire fireplace heater front opening on the hearth extension.  
  
Have the doors fully open or fully closed. Do not use the heater with the doors partially open.
2. The temperature in the room and the rate in which wood is burned can be controlled by keeping the doors closed and adjusting the air shutter. (fig. 9). Use the door handle to close the air shutter. Partially or fully closing the air shutter will reduce the rate of burn and the heat output. Opening the air shutters gives the maximum burning and heat output.
3. Add fuel in small amounts to give more complete combustion and a steady supply of heat to the room.
4. Always open the air shutters fully before opening the doors. This will improve the chimney draft and reduce the chance of smoke coming into the room when the doors are opened.

5. Remove the ashes regularly. Do not allow ashes to build up to the grate. This will cause warpage and burnout. Dispose of hot ashes properly (see Note 12, Page 4).

**FIG. 9** Adjusting the Air Shutter

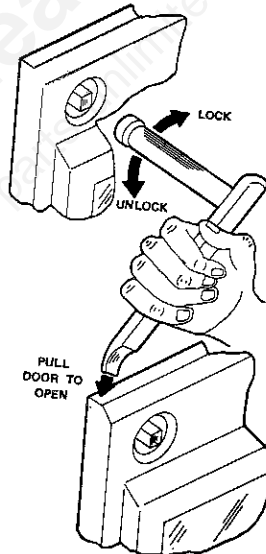


### CAUTION

Use the door handle or a poker to adjust the air shutter. Never touch the air shutter while the heater is hot.

### DOOR HANDLE INSTRUCTION

The special door handle is used to open and close both the door and the air shutter. Store the handle near the fireplace - **Do not have it on the hearth extension where it can get hot.**



### TO OPEN THE DOORS

1. Open the air shutters
2. Insert handle in right hand door as shown below and unlock door by turning handle counter clockwise.
3. Open right and left hand doors as shown below.

### TO CLOSE THE DOORS

1. Use the handle provided and close left door and then right door.
2. Insert handle over latch stud on right door and push door firmly closed.
3. Turn handle clockwise to lock door as shown in figure below.

**NOTE:** The insert handle will automatically disengage itself from the latch.

### CAUTION

Never use gasoline, gasoline-type lantern fuel, kerosene, charcoal lighter fluid, or similar liquids to start or "freshen up" a fire in this heater. Keep all such liquids well away from the heater while it is in use.

# Using the Blower

The blower must be plugged into a 115 volt, 60 Hertz grounded (3 prong) electrical outlet.

The blower is turned ON by turning the control knob

to the right. When the blower first comes on it will be at its highest speed. By continuing to turn the knob to the right the speed can be slowed to the level that provides the desired air flow.

## How to Care For Your Chimney

### CREOSOTE-FORMATION AND NEED FOR REMOVAL

When wood is burned slowly, it produces tar and other organic vapors, which combine with moisture to form creosote. These vapors condense in the cooler chimney flue. As a result, creosote residue builds-up on the flue lining. When ignited this creosote makes an extremely hot fire.

Inspect the chimney at least twice each month during the heating season to check for creosote build up.

If creosote has accumulated it should be removed to reduce the risk of a chimney fire.

Chimney fires burn very hot. If the chimney catches fire, immediately call the fire department, then reduce the fire by closing the inlet air control. Pour a large quantity of coarse salt, baking soda or cool ashes on top of the fire in the firebox. CAUTION: A chimney fire may cause ignition of wall studs or rafters which you thought were a safe distance from the chimney. If you have a chimney fire, have your chimney and surrounding wood inspected by a qualified person before using again.

# SERVICE AND MAINTENANCE HINTS

Smoke spilling into the house or a build up of water or creosote in the chimney are warnings that the chimney is not working right. It is the chimney that creates the draft. Do not expect the heater to create a chimney draft.

Possible cause of poor chimney draft are:

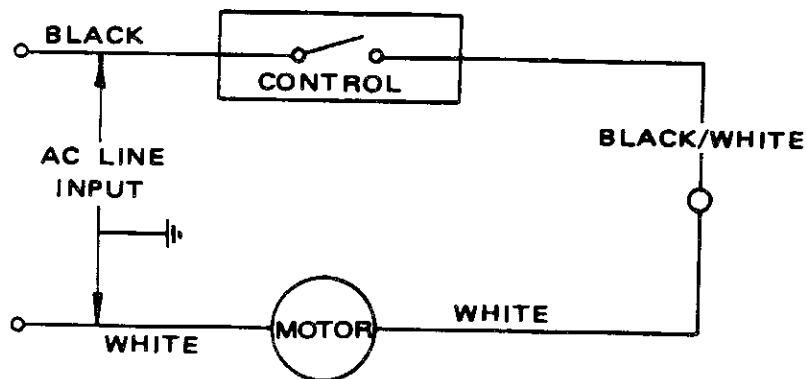
1. The chimney used for this heater must not be used for any other appliance.
2. Do not use the chimney to ventilate a cellar or basement.
3. If there is a clean out door at the base of the chimney close it tightly.
4. If the chimney remains too cool, water will condense in the chimney and run back into the fireplace. Creosote formation will be rapid and may block the chimney. Use the heater at a high enough fire to keep the chimney warm and to prevent condensation.
5. If the chimney does not seem to draw or smoke spills into the house from around the trim, be sure that trim gasket seals tightly against the fireplace front.

6. If the fire burns well, but sometimes smokes or burns slowly it maybe caused by the chimney top being lower than another part of the house or a near by tree. The wind blowing over a house can fall on top of the chimney beating down the smoke. The chimney top must be at least two feet higher than any point of the roof within ten feet.

**GLASS CLEANING**-- to clean the glass in your heater doors, wait until it has completely cooled. spray the glass lightly with Sears Fireplace glass cleaner. Follow the cleaner instructions.

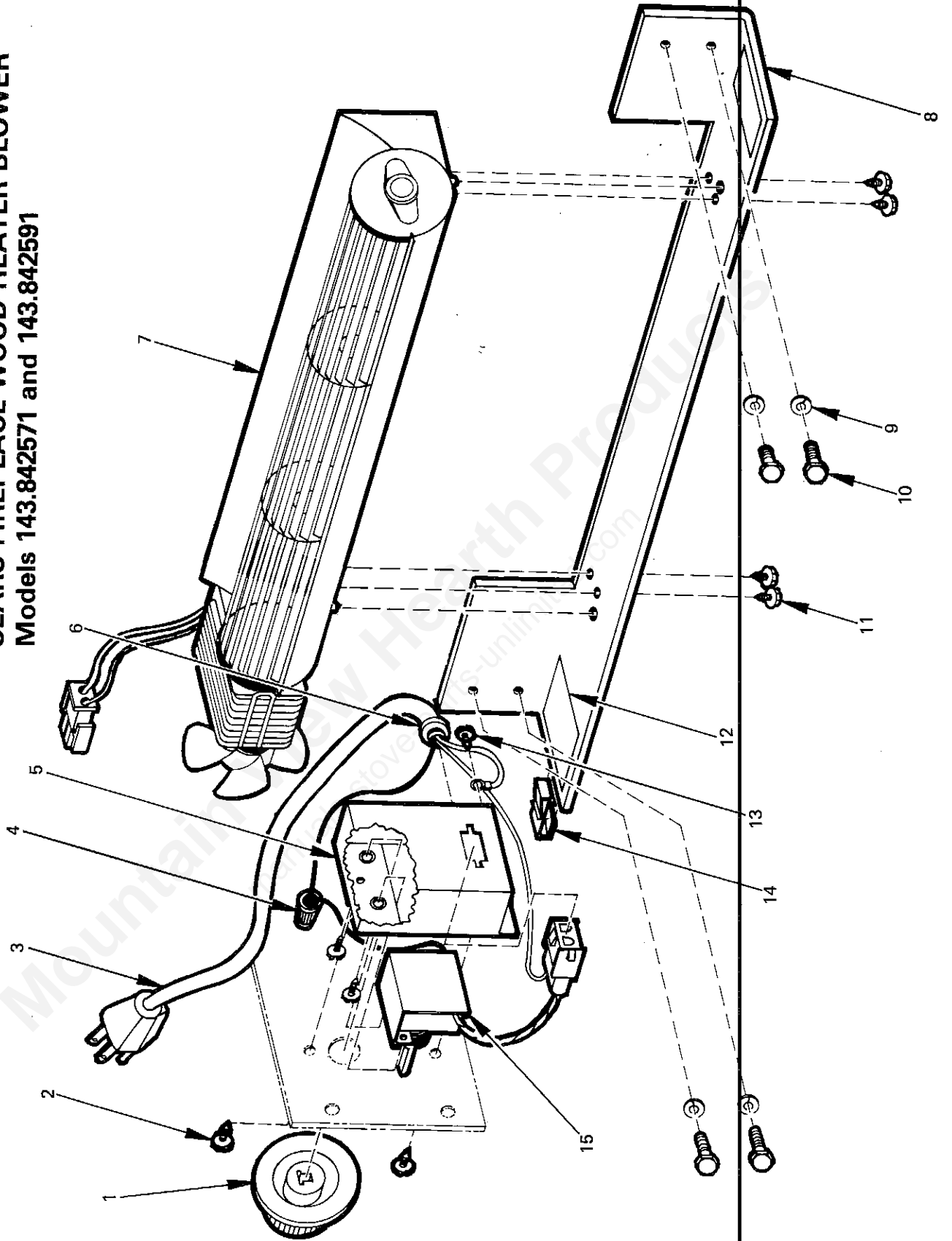
**CARING FOR ENAMELED PARTS**-- This heater has an enameled front. Enamel baked onto the steel or iron is very durable but it will not stand rough handling or abuse. When installing your heater use care in handling. Clean with soap water when heater is not hot. **DO NOT** use any acids or scouring soap as these wear and dull the finish. **THE ENAMEL WILL DISCOLOR IF THE HEATER IS OVERFIRED. FOLLOW "HOW TO USE" INSTRUCTIONS CAREFULLY.**

**BLOWER WIRING DIAGRAM**



# repair parts

SEARS FIREPLACE WOOD HEATER BLOWER  
Models 143.842571 and 143.842591



# repair parts

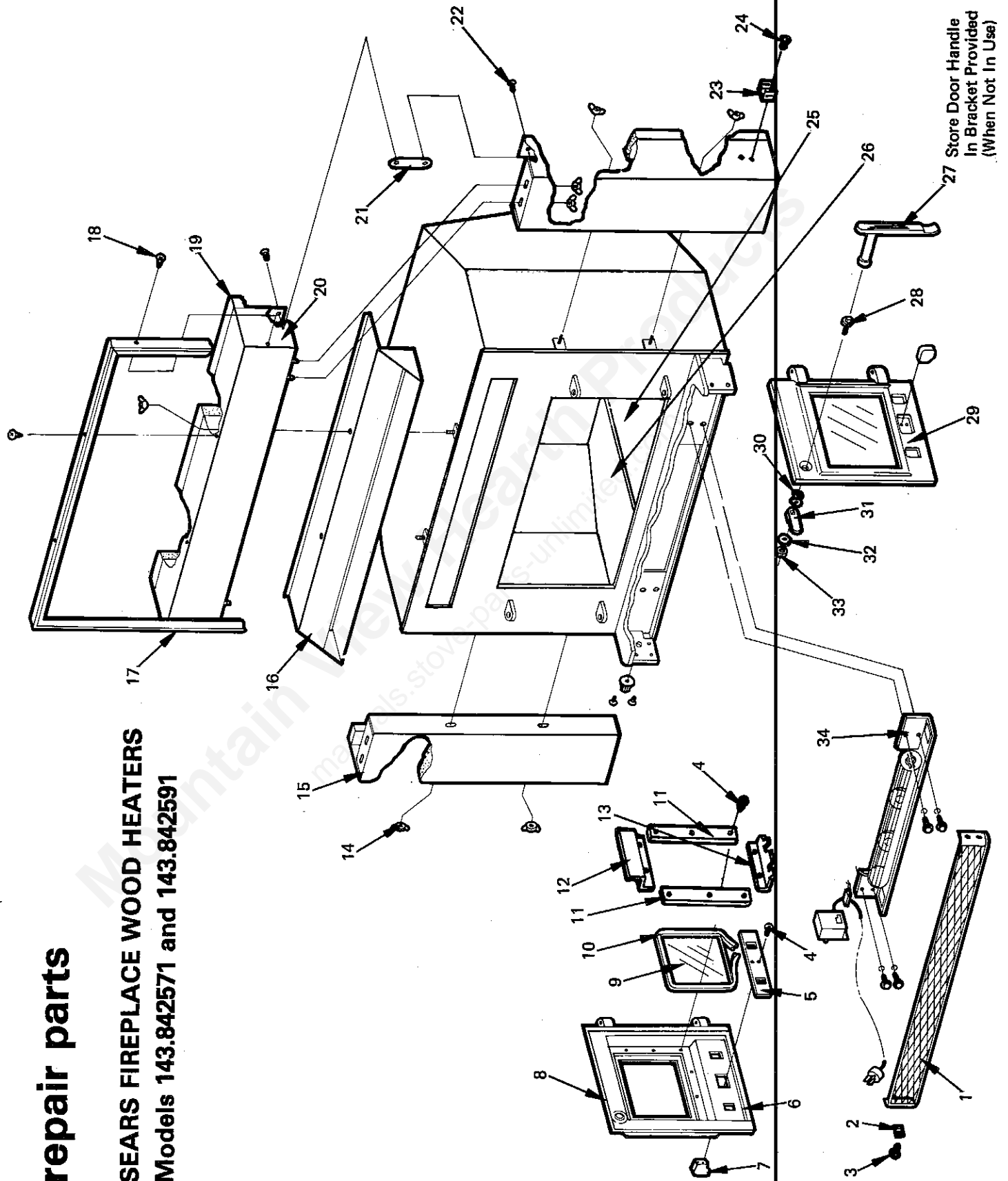
## SEARS FIREPLACE WOOD HEATER BLOWER

Models 143.842571 and 143.842591

Key No.	Part No.		Description
	143.842571	143.842591	
1	89157	89157	Knob, Blower
2	83218	83218	10-32 x 1/2" Screw, Thread Cutting (2 Req'd)
3	80099	80099	Supply Cord
4	80006	80006	Wire, Nut
5	21816	21816	Speed Control Box
6	83814	83814	Strain Relief, Bushing
7	67660	67660	Blower
8	67749	67749	Blower Mounting Plate
9	83108	83108	Lockwasher (4 Req'd)
10	83209	83209	Screws, Machine 1/4 - 20 x 1 (4 Req'd)
11	83216	83216	Screws, Tapping 10A x 3/8 (4 Req'd)
12	85286	85286	Wiring Diagram
13	83218	83218	10-32 x 1/2" Screw, Thread Cutting
14	83840	83840	Wire Clip
15	80090	80090	Variable Speed Switch

# repair parts

## SEARS FIREPLACE WOOD HEATERS Models 143.842571 and 143.842591



Store Door Handle  
In Bracket Provided  
(When Not In Use)

# repair parts

## SEARS FIREPLACE WOOD HEATERS

Models 143.842571 and 143.842591

Key No.	Part No.		Description
	143.842571	143.842591	
1	67601	67602	Hearth Extension Grill
2	83192	83192	Clip Nut (4 Req'd)
3	83005	83005	10-24 x 1/2 Machine Screw (4 Req'd)
4	83202	83202	10-24 x 3/8 Machine Screw** (26 Req'd)
5	21876	21876	Draft Slide (2 Req'd)
6	21969	21970	Gasket (2 Req'd)
7	21779	21779	Draft Knob (2 Req'd)
8	21870	21869	Left Door
9	89155	89156	Glass (2 Req'd)
10	88047	88048	Gasket, Glass (2 Req'd)
11	21781	21781	Side Glass Retainer (2 Req'd)
12	21947	21948	Top Glass Retainer
13	21877	21878	Bottom Glass Retainer (2 Req'd)
14	83041	83041	Wing Nut (10 Req'd)
15	21741	21741	Side Trim (2 Req'd)
16	67636	67638	Air Outlet Hood
17	86238	86240	Corner Trim
18	83190	83190	8A x 1/2 Brass Screw (8 Req'd)
19	88050	88050	Trim Gasket
20	67618	67619	Top Trim
21	21865	21856	Trim Bracket (2 Req'd)
22	83017	83017	10A x 3/8 Tapping Screw (4 Req'd)
23	89171	89174	Bracket, Handle
24	83017	83017	10A x 3/8 Tapping Screw (2 Req'd)
25	89158	89162	Right Hearth Refractory
26	89160	89161	Left Hearth Refractory
27	67689	67689	Key Handle
28	86225	86225	Door Latch Bushing
29	21871	21868	Right Door
30	21880	21880	Door Latch Spacer (2 Req'd.)
31	21879	21879	Door Latch
32	83205	83205	Flat Washer 7/16" I.D. x 1-1/4" O.D.
33	83206	83206	Hex Nut 5/16" - 18
34	67748	67748	Blower Assembly (See Blower Parts List)
*	42-84028	42-84004	Grate (Optional)
*	85283A	85283A	Owners Manual (F642-3181)

\* Not Shown

\*\* Model 143.842571 — 24 Req. Model 143.842591 — 26 Req.

**Sears**

**owners  
manual  
service**

**MODEL NUMBER**

143.842571

143.842591

**HOW TO ORDER  
REPAIR PARTS**

**TELL SEARS YOU  
WANT IT INSTALLED  
THEN RELAX**

# FIREPLACE WOOD HEATER

Now that you have purchased your Fireplace Heater should a need ever exist for repair parts or service, simply contact any Sears Service Center and most Sears, Roebuck and Co. stores. Be sure to provide all pertinent facts when you call or visit.

The Model Number will be found on a plate mounted on the front of the heater beside the blower. Always mention the Model Number when requesting service or repair parts for your Heater.

WHEN ORDERING REPAIR PARTS, ALWAYS GIVE THE FOLLOWING INFORMATION AS SHOWN IN THIS LIST.

1. The PART NUMBER
2. The PART DESCRIPTION
3. The MODEL NUMBER
4. The SERIAL NUMBER

If the part you need is not stocked locally, your order will be transmitted to a Sears Repair Parts Distribution Center for quick handling.

When Sears arranges the installation, you can be sure the job is done right. We will arrange for professional workmanship.... and we'll take care of the entire project. What's more, during installation you get insured protection....against property damage and also against accidents to workmen. All you have to do is talk to your Sears salesperson or call your nearest Sears store today for detailed information.

Sears, Roebuck and Co., Chicago, Ill. 60684 U.S.A.