

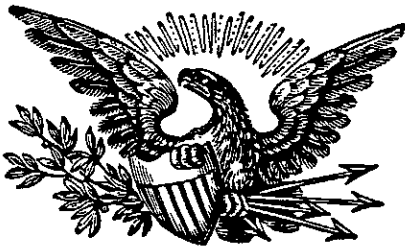
Sears

owners  
manual

MODEL NUMBER

143.84521

143.84531

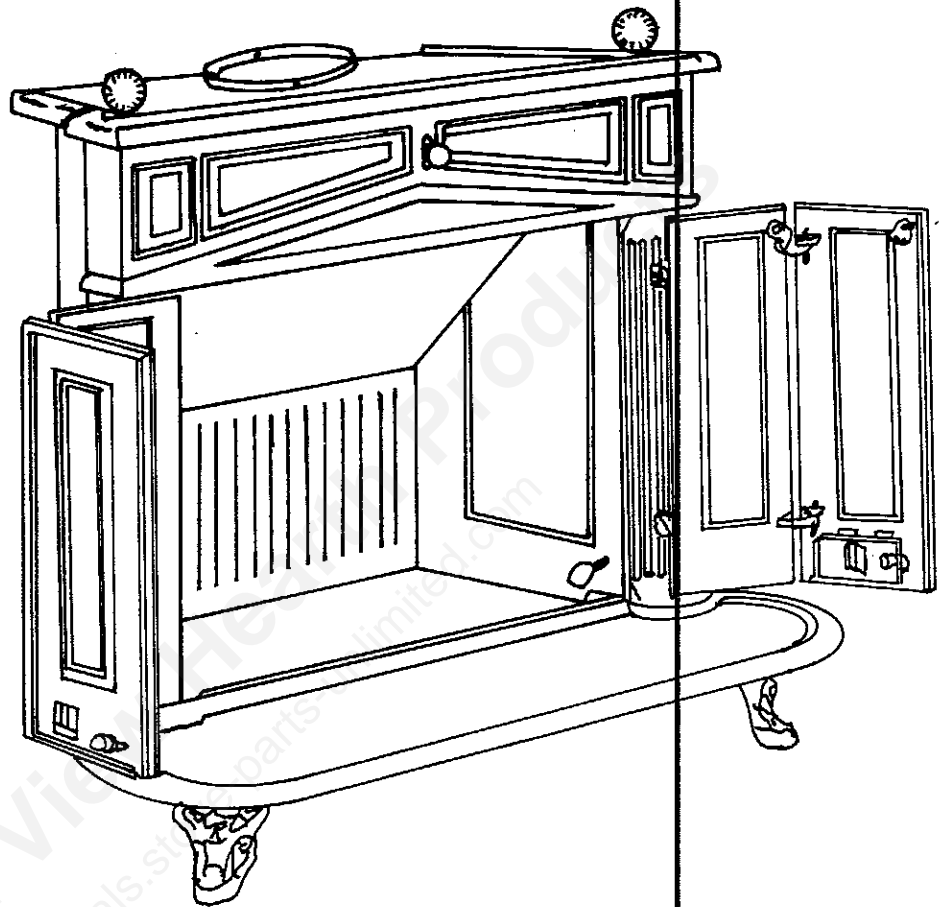


**CAUTION:**

Read All Instructions  
Carefully Before Start-  
ing The Installation.

Do not use this fireplace  
in a mobile home or trailer.

Save This Manual For  
Future Reference.



EARLY AMERICAN

# Franklin Fireplace

- Assembly
- Installation
- Operation
- Repair Parts

Sears, Roebuck and Co., Chicago, Ill. 60684 U.S.A.

PRINTED IN U.S.A.

Mountain View Hearth Products | manuals.stove-parts-unlimited.com

## **SPECIAL NOTE:**

### **FOR SEARS GAS LOGS USED WITH FRANKLIN FIREPLACES**

Sears gas log sets are purposely sized so that the Franklin Fireplace doors will not close when the logs are installed. This is necessary to insure that combustion air is not shut off, creating a carbon monoxide hazard. The American Gas Association certification procedures for the gas logs require this sizing.

Franklins and all Sears fireplaces must be used with masonry or all-fuel class A prefabricated chimney regardless of intended fuel, i.e., gas logs require an all-fuel chimney.

# introduction

Please take a few minutes to read our instructions before you install and use your new FRANKLIN FIREPLACE. This will help you obtain the full benefits from your FRANKLIN FIREPLACE. This will also help you avoid any needless service costs that result from causes we cannot control.

If you want your FRANKLIN FIREPLACE professionally installed, contact your SEARS SALESMAN. HE will arrange for prompt, quality installation by SEARS AUTHORIZED INSTALLERS.

## **SEARS INSTALLATION POLICY**

All installation labor arranged by SEARS shall be performed in a neat, workmanlike manner in accordance with generally accepted trade practices. Further, all installations shall comply with all local laws, codes, regulations, and ordinances. The customer shall also be protected, during installation, by insurance relating to property damage, workmen's compensation and public liability.

## **SEARS INSTALLATION GUARANTEE**

In addition to any guarantee extended to you on SEARS merchandise involved, which guarantee becomes effective the date the merchandise is installed, SEARS also guarantees all SEARS-arranged installations, as follows: Should the workmanship prove faulty within one year, SEARS will, upon notice from you, cause such defects to be corrected at no additional cost to you.

# rules for safe installation and operation

1. Read these rules and the instructions carefully. Failure to follow them could cause malfunction of the fireplace. This could result in death, serious bodily injury, and/or property damage.
2. Check your local codes. The installation must comply with their rulings.
3. Do not install this fireplace in a mobile home or trailer.
4. Always connect this fireplace to a chimney and vent to the outside. Never vent to another room or inside a building.
5. Make sure the chimney is high enough to give a good draft. Keep the chimney and pipe clean inside to avoid blockage. Otherwise smoking will result.
6. Always open damper before lighting fire.
7. Keep the ashpit section free of excess ashes. Failure to do so will cause grate warpage and burn out.
8. To hold a fire for a long period, place logs, coal, or other fuel on fire and close front doors tight. Leave the bottom draft slides closed. Ashes may also be heaped on top of the fire for better holding. The damper should be opened. Where there is poor draft, it may be necessary to open door draft slides.
9. When the fire is out, always close the front doors, flue damper and draft slides. A warm flue will remove heat from the living space. **THIS IS ESPECIALLY IMPORTANT WHERE THE FRANKLIN FIREPLACE IS USED IN HOMES WHICH HAVE CENTRAL HEATING SYSTEMS.**
10. **CAST IRON PARTS MUST BE "SEASONED" TO AVOID CRACKING. BUILD ONLY SMALL FIRES DURING YOUR EARLY USE.** Never build extremely large fires in your Franklin.
11. To prevent injury do not allow anyone who is unfamiliar with the operating instructions to use fireplace

**CAUTION:** Do not touch the fireplace until it has cooled.

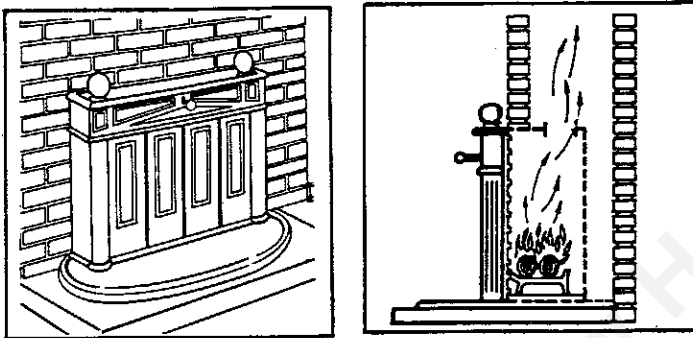
# assembly and installation

Uncrate the Franklin Fireplace. Remove the parts inside it. Tilt the Franklin toward the back and slide the front legs into the locking lugs. Then tilt the Franklin toward the front. Install the rear leg with the bolts supplied.

## SELECTING A LOCATION

For a unique and very attractive installation, your Franklin may be placed in an existing fireplace opening. (Fig. 1). This can be done either with or without the legs. Check the dimensions of your fireplace against the dimensions of your Franklin. If the opening is too large, you can fill it in with matching brick. If your fireplace has a good draft, it will have a good draft with the Franklin in place. Simply slide the Franklin into the opening.

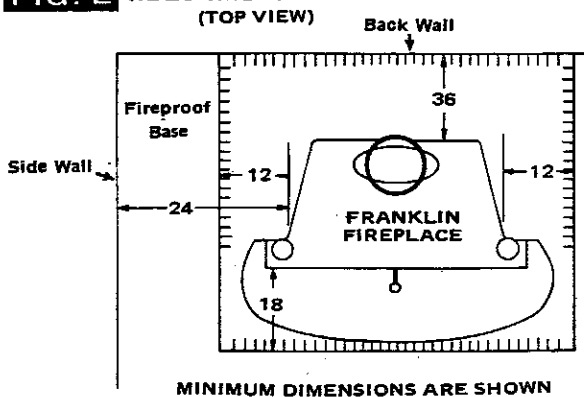
**FIG. 1** PLACEMENT IN EXISTING FIREPLACE



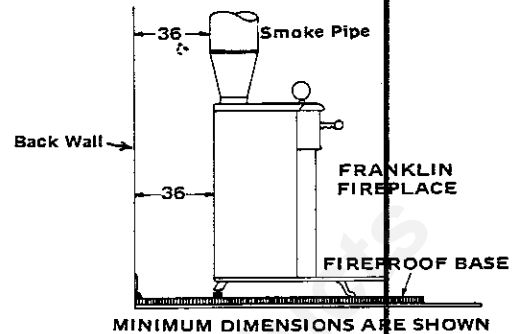
As a location is selected keep the following in mind:

1. The flue connection should be as short as possible. The fireplace should have its own chimney. No other appliance should be connected to the chimney. If there is no chimney near where you wish to place the Franklin, you can use a Sears Prefabricated All-Fuel Chimney. See your Sears Salesman.
2. The floor should be level and fireproof. If your floor is not fireproof, you can make a fireproof base. Use 2" thick concrete patio blocks. They are available at your local building supply dealer. The base must extend 36" from the rear of the Franklin, to each side and 18" to the front (Fig. 2).
3. Provide the following clearances to non-fireproof walls (Figs. 2 and 3): a) 36" from rear of Franklin; b) 24" from each side of Franklin.

**FIG. 2** REQUIRED CLEARANCES



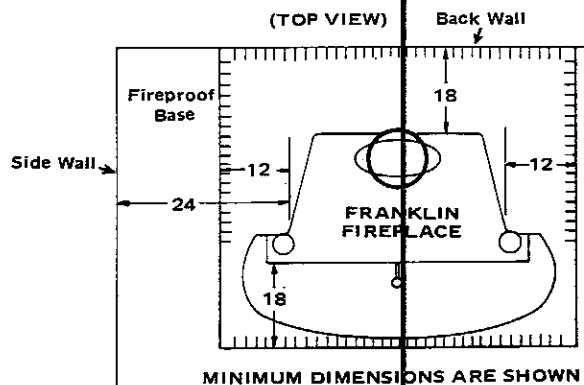
**FIG. 3** REQUIRED CLEARANCES  
(SIDE VIEW)



The 36" clearance to the back wall can be reduced to 18" if you use a special heat shield kit, (Fig. 4). Order the kit stock No. shown for your model Franklin.

KIT STOCK NO.	FRANKLIN FIREPLACE MODEL NO.	FIREBOX OPENING
42-8421	143.84521	25 1/2"
42-84002	143.84531	30 "

**FIG. 4** REQUIRED CLEARANCES  
WITH HEAT SHIELD KIT  
INSTALLED



If you have a solid brick or stone wall behind your Franklin, you can place the Franklin as close as you wish to the wall. If the wall is only faced with brick or stone, check your local code for the correct clearances.

# installation

Connect your Franklin to a masonry chimney having at least an 8" x 8" flue liner. If a chimney is not near the Franklin location, you can install a Sears Type "A" ALL FUEL CHIMNEY (Figs. 6 & 7). This chimney is especially made for Sears Fireplaces. It has a stainless steel liner 8" in diameter. It is the same size as your Franklin smoke pipe. A "How To Install" booklet for Fireplaces and All Fuel Chimneys is available. Order Catalog No. 39K-7478 or ask for it at the Plumbing and Heating Department at your local Sears Store.

## WARNING

Never connect a wood burning fireplace to an aluminum Type B gas vent. This is not safe and is prohibited by the National Fire Protection Association Code. If connecting to a prefabricated chimney be sure it is a Type "A" ALL-FUEL CHIMNEY having a stainless steel liner. The liner must be at least 8" in diameter. The Type "A" ALL-FUEL CHIMNEY must be used even if gas logs are used.

Look at Fig. 5. The smoke pipe and fittings you will need to connect to a masonry chimney or a Sears ALL-FUEL CHIMNEY on the outside wall are shown. These are all available at Sears. If you are using a Sears chimney also obtain connector adapter Stock No. 42-8413.

If your Sears ALL-FUEL CHIMNEY starts at the ceiling (Fig. 7) you will need only the Pipe Reducer, enough Pipe to reach the ceiling, a finishing collar, and a connector adapter, Stock No. 42-8413.

Be sure that you have at least 18" of clearance between the horizontal piping and the ceiling. (Fig. 6)

## CONDENSATION NOTE

In cold climates, warm, moist house air escaping through the fireplace damper can cause condensation to form on the cold, inside walls of a metal chimney. This can cause water to drip into the fireplace. This occurs when the fireplace is **not in use**.

Metal prefabricated chimneys, perform well if properly installed. The following precautions must be observed:

1. Make all chimney sections absolutely vertical. Do not allow any pipe or chimney sections to be cocked.
2. Your Franklin has a "damper seat" in the main top. There is a provision for adjustment of the damper "seating" in the damper control (Key Nos. 6, 9, 10, page 8). Adjust damper to positively "seat" when closed.
3. The installation shown in Fig. 6 will avoid the problem of condensation. The elbow to the outside and the insulated tee offset the chimney. Any condensation stays outside the house.

FIG. 5

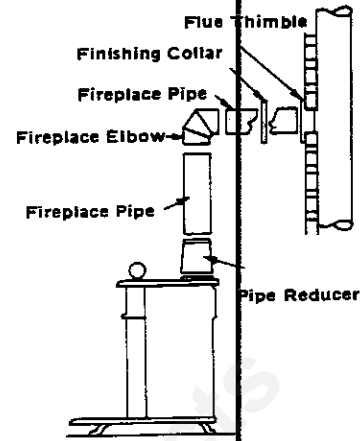


FIG. 6

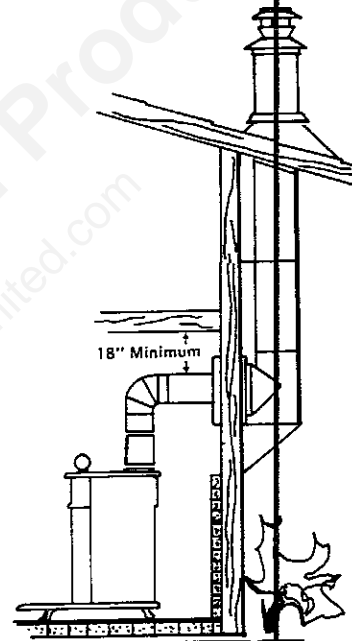
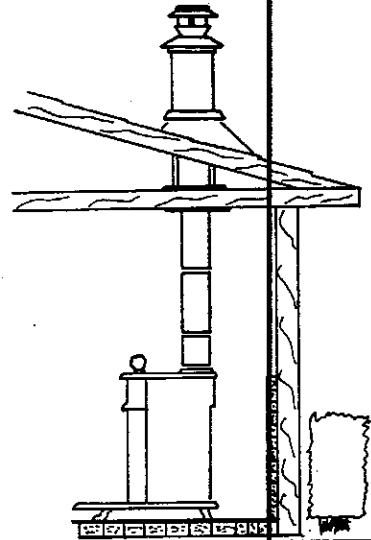


FIG. 7



# operation

## TO BUILD A FIRE

1. Open the damper by pulling the damper knob outward.
2. Place paper and/or kindling in the grate basket. More kindling will be needed with coal or charcoal than with wood.
3. You can get a better chimney draft with a warm flue. Hold a lighted roll of paper in the opening as near as you can to the flue opening inside the fireplace.
4. Then, light the fuel in the grate. Add fuel, carefully at first to avoid smothering the fire. When the fire is going well, fuel may be added in the amount desired.
5. You can control the rate of burning by moving the damper knob or closing the front doors. Never close the doors when a large fire is burning.
6. Use a firescreen to prevent sparks from entering the room.

## CHARCOAL FIRES

A charcoal fire can be built in the grate basket for broiling or grilling. The DAMPER MUST BE IN FULL OPEN POSITION to allow smoke, grease and fumes to escape. Build the fire as described above. You can use the charcoal lighting fluids, but be very careful. DO NOT SPRAY IT ON HOT COALS. NEVER USE GASOLINE AS A LIGHTING FLUID. Charcoal requires a constant supply of fresh air. Leave a door or window open.

## IF FIREPLACE SMOKES, CHECK THE FOLLOWING

### A. Incorrect Chimney

1. Chimney should extend at least 3 feet above the highest point where it passes through the roof. It should also be at least 2 feet higher than any portion of the building within 10 feet.
2. The fireplace chimney should have no other appliances attached to it. All unused openings and the clean-out door at the chimney base should be sealed.
3. The draft or "drawing" of the fireplace is fully dependent on the chimney. A chimney must be high enough and warm enough to provide draft. Adding chimney height should improve draft.

### B. Air Supply

1. A tightly constructed home with well fitting windows, weather stripping and storm sash has little air infiltration. No air will move up a chimney unless air enters the room containing the fireplace. A tight house should have a fresh air intake at least as large as the fireplace flue area. If there is no air intake in the room with the fireplace, air must be provided through open windows and doors when the fireplace is operating.
2. Ventilating fans move large volumes of air. If normal air infiltration is not great enough to satisfy the needs of a fireplace AND ventilating fan, air will be drawn down the chimney creating a smoking condition. The fresh air intake must provide enough for both.
3. A furnace or boiler also requires an air supply for proper burning. This air must be provided in addition to the fireplace and other needs.

### C. Helpful Hints

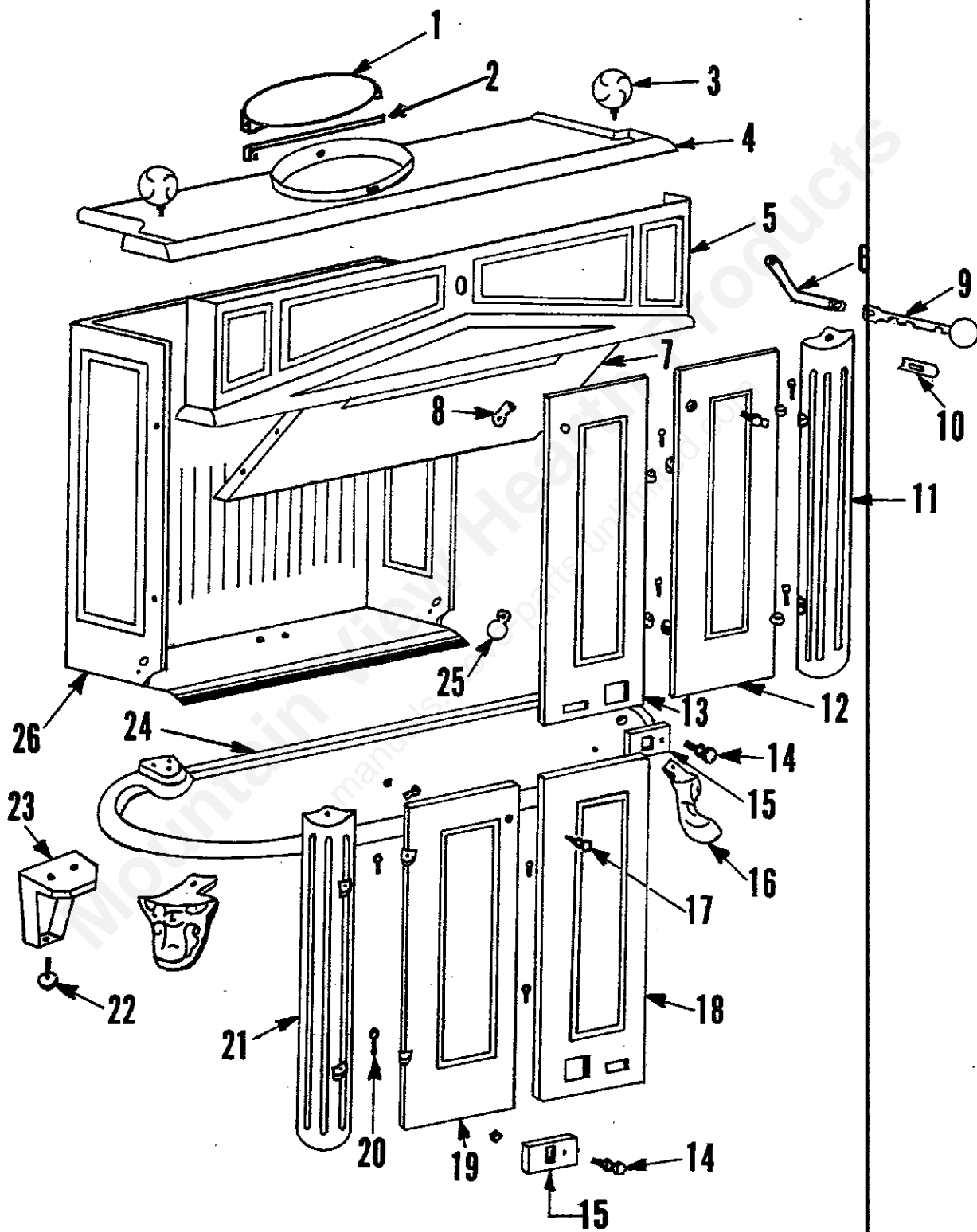
1. Starting a fire in a cold room tends to produce smoke while the chimney is cold. When the chimney warms up, the smoking should stop.
2. Fires should be built to the rear of the unit.
3. When adding fuel make sure that the damper is open.
4. The use of the grate basket promotes a better fire and minimizes smoke.

### D. Other Conditions.

1. Pipe inserted too far into chimney opening.
2. Pipe obstructed with soot.

# repair parts

SEARS FRANKLIN FIREPLACE  
MODEL NOS. 143.84521 AND 143.84531



# repair parts

SEARS FRANKLIN FIREPLACE  
 MODEL NOS. 143.84521 AND 143.84531

KEY NO.	MODEL NO.		DESCRIPTION
	143.84521	143.84531	
	PART NO.	PART NO.	
1	5416	5416	Damper
2	5417	5417	Damper Pin
3	5079	5079	Ornamental Knob (2 Req.)
4	5207-S	5384-S	Top Main
5	2991	5385	Upper Front
6	3002	3002	Arm, Damper Control
7	2990	5386	Baffle
8	3000	3000	Catch, Door (3 Req.)
9	5080	5080	Knob, Damper Control
10	5366	5366	Bracket, Damper Control
11	5249	5249	Column, Right Side
12	5251	5388	Door, Right Outer
13	2985	5389	Door, Right Center
14	2999	2999	Knob, Draft Slide (2 Req.)
15	2998	2998	Draft Slide (2 Req.)
16	3006	3006	Leg (2 Req.)
17	4162	4162	Door Handle (3 Req.)
18	2987	5390	Door, Left Center
19	5252	5391	Door, Left Outer
20	5357	5357	Door, Pin (8 Req.)
21	5050	5050	Column, Left Side
22	5174	5174	Leg, Leveler
23	5246	5246	Adjustable Leg
24	3004-S	5393-S	Hearth
25	2006	2006	Cover with Bolt
26	5248	5394	Back, Sides, & Bottom
*	← F642-21873 →		Owners Manual

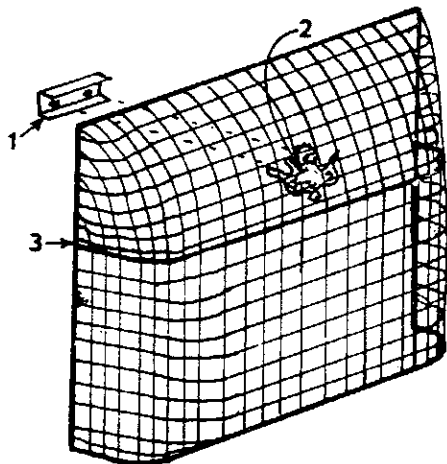
**NOTE: All bolts and nuts are standard hardware items and may be purchased locally.**

# accessories

SEARS FRANKLIN FIREPLACE

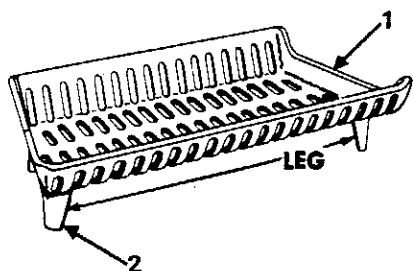
MODEL NOS. 143.84521 AND 143.84531

THE FOLLOWING ITEMS ARE NOT PART OF YOUR FRANKLIN FIREPLACE,  
BUT MAY BE ORDERED SEPARATELY.



## PARLOR SCREEN

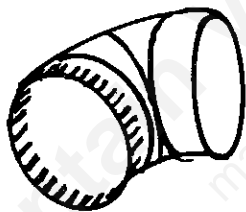
KEY NO.	MODEL NO.		DESCRIPTION
	143.84521	143.84531	
-	42-84071	42-84005	Screen Complete
1	5213	5213	Handle Bracket
2	5218	5218	Handle, Ornamental
3	5242	5383	Basket Screen



## CAST IRON GRATE BASKET

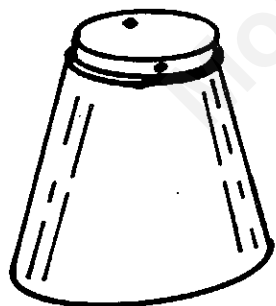
KEY NO.	MODEL NO.		DESCRIPTION
	143.84521	143.84531	
-	42-84028	42-84004	Grate Basket Complete
1	3001	4331	Basket
2	5168	5168	Leg (4 Req.)

## 8" ELBOW 42-84022



Pipe and accessories are finished in matt black, heat resistant, silicone paint to complement the Franklin. Made of heavy weight 24 gauge steel for long life.

Connectors and other parts for installation of Sears Pre-Fab chimneys are also available.



## PIPE REDUCER 42-84015

For use when an 8-inch diameter smokepipe is desired. Reduces 10-inch flue opening at top of the stove to 8 inches for a vertical outlet installation... (this is the most popular type of use for this accessory).



## 8" COLLAR 42-84031



## 8" x 2' PIPE 42-84023



## CONNECTOR ADAPTOR 42-8413

# accessories

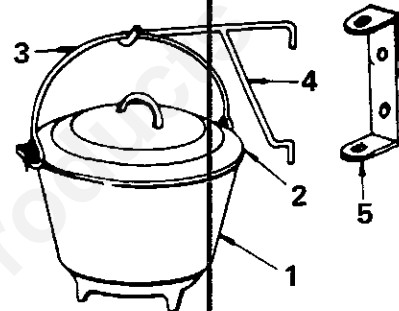
SEARS FRANKLIN FIREPLACE

MODEL NOS. 143.84521 AND 143.84531

THE FOLLOWING ITEMS ARE NOT PART OF YOUR FRANKLIN FIREPLACE,  
BUT MAY BE ORDERED SEPARATELY.

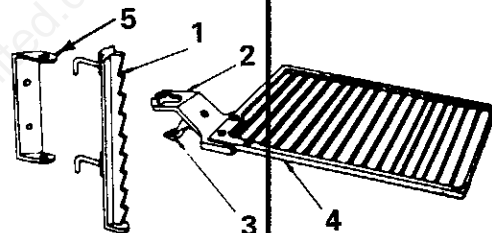
## BOSTON BEAN POT WITH CRANE HOOK — No. 42-84025

KEY NO.	PART NO.	NAME OF PART
	<b>42-84025</b>	<b>Pot and Hook Complete</b>
1	3051	Pot
2	3052	Cover
3	3053	Handle
4	3054	Crane Hook
5	5257	Bracket



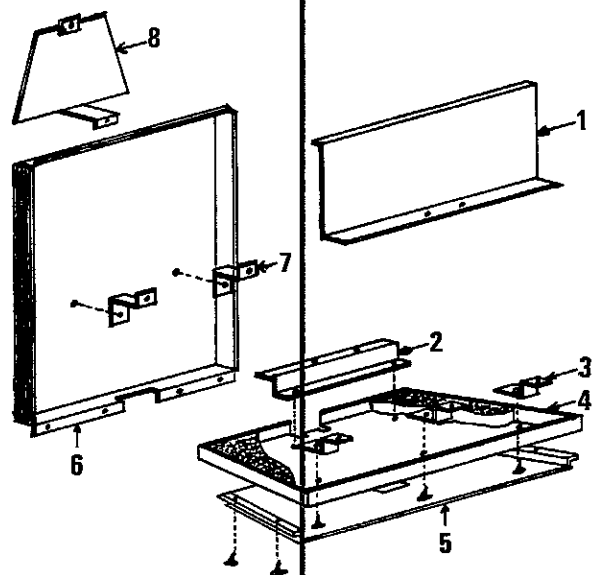
## CAST IRON BARBECUE GRID — No. 42-84019

KEY NO.	PART NO.	NAME OF PART
	<b>42-84019</b>	<b>Grid, Complete</b>
1	3016	Support, Grill
2	3017	Arm, Grill
3	3018	Leg, Grill Adjusting
4	3019	Grill
5	5257	Bracket



## HEAT SHIELD KIT

KEY NO.	MODEL NO.		DESCRIPTION
	143.84521	143.84531	
—	42-8421	42-84002	Kit Complete
1	5403	5396	Firebox Back Baffle
2	5404	5399	Bracket -- Rear
3	5405	5400	Brackets -- Front (3 Reg.)
4	5406	5395	Insulated Bottom
5	5407	5401	Bottom Shield
6	5408	5398	Outside Back Shield
7	5409	5402	Bracket -- Back Shield (2 Reg.)
8	5410	5397	Reducer Boot Shield
*	5412	5412	Metal Screw (16 Reg.)
*	5413	5413	¼-20 Nut (5 Reg.)
*	← F642-12773 →		Owners Manual



\* Not Illustrated

STOVE  
TOUCH-UP PAINT  
PART NO. 5031

One Pint. Keeps cast iron looking new.

**Sears**

**owners  
manual**

**MODEL NUMBER**

**143.84521**

**143.84531**

**HOW TO ORDER  
REPAIR PARTS**

**SEARS SERVICE  
IS AT YOUR SERVICE  
WHEREVER YOU LIVE  
OR MOVE IN THE U.S.A.**

EARLY AMERICAN

**Franklin Fireplace**

The Model Number will be found on a plate mounted on the back of the Fireplace. Always mention the Model Number when requesting service or repair parts for your Franklin Fireplace.

All parts listed herein may be ordered through SEARS, ROEBUCK AND CO., c/o Repair Parts Department 98. When ordering parts by mail, selling prices will be furnished on request or parts will be shipped at prevailing prices and you will be billed accordingly.

WHEN ORDERING REPAIR PARTS, ALWAYS GIVE THE FOLLOWING INFORMATION AS SHOWN IN THIS LIST.

1. The PART NUMBER
2. The PART DESCRIPTION
3. The MODEL NUMBER
4. The NAME OF ITEM

Your Sears merchandise takes on added value when you discover that Sears has over 2,000 Service Units throughout the country. Each is staffed by Sears-trained, professional technicians using Sears approved parts and methods.

**Sears, Roebuck and Co., Chicago, Ill. 60684 U.S.A.**