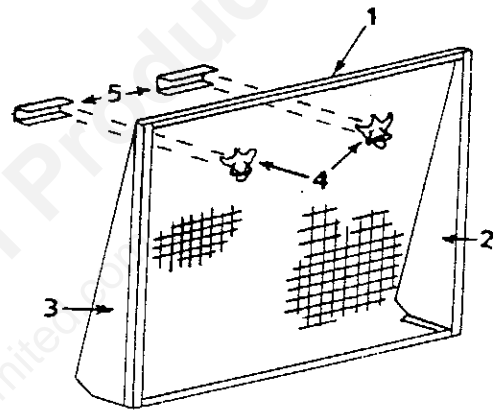


Sears Franklin Fireplace

THE FOLLOWING ITEMS ARE NOT PART OF YOUR FRANKLIN FIREPLACE,
BUT MAY BE ORDERED SEPARATELY.

FIREPLACE SCREEN – No. 42-84021

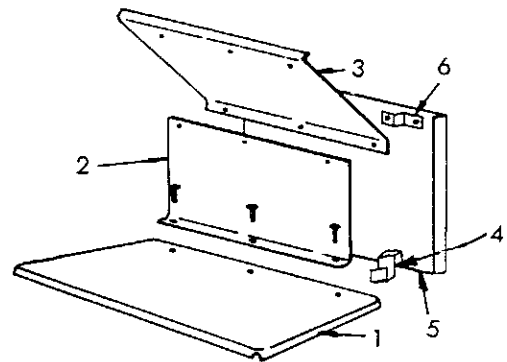
KEY NO.	PART NO.	NAME OF PART
1	5211	Screen
2	5212	Leg, Right
3	5215	Leg, Left
4	5213	Handle, Ornamental
5	5218	Handle, Bracket



HEAT SHIELD KIT – No. 42-84001

Heat Shield Kit permits installation of Franklin close to a combustible back wall, if top venting method is used.

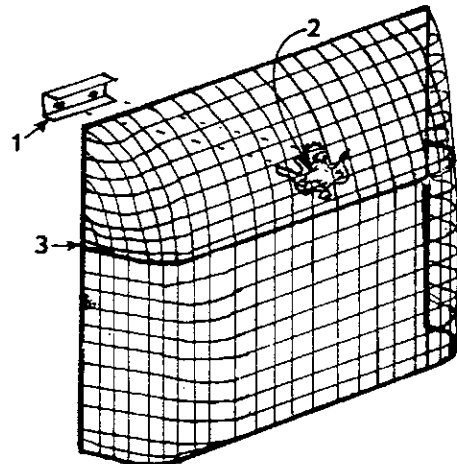
KEY NO.	PART NO.	NAME OF PART
1	5020	Bottom Baffle, with Insulation
2	5021	Inside Rear Baffle
3	5022	Top Baffle
4	5258	Bottom Bracket (2 required)
5	5024	Back Baffle
6	5025	Top Mounting Bracket (2 required)
*	5081	Top Baffle Bracket (2 required)



* Not Illustrated

PARLOR SCREEN – No. 42-84071

KEY NO.	PART NO.	NAME OF PART
1	5213	Handle Bracket
2	5218	Handle, Ornamental
3	5242	Basket Screen



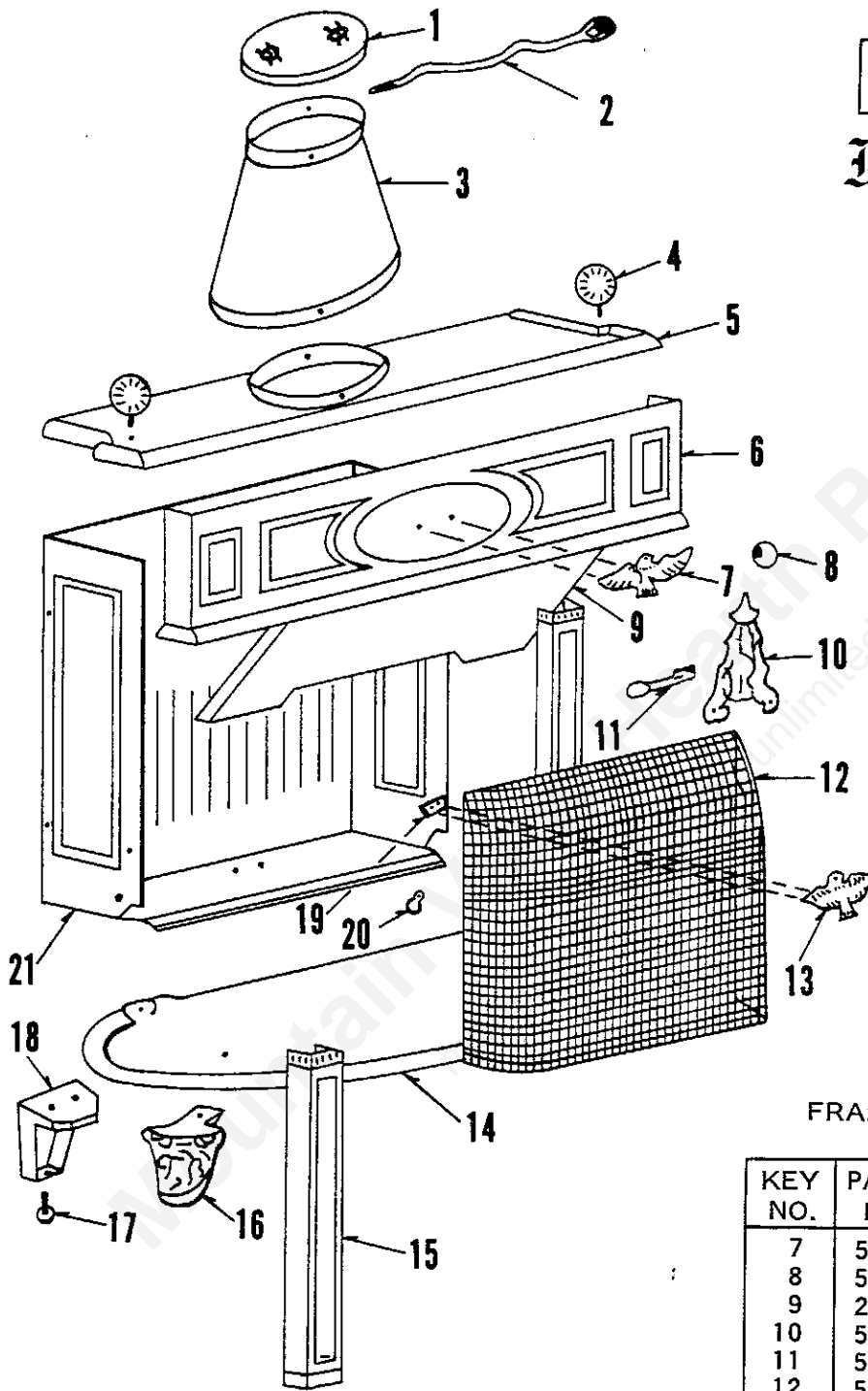
repair parts

Sears EARLY AMERICAN

Franklin Fireplace

MODEL NUMBER 143.436

NOTE: All bolts and nuts are standard hardware items and may be purchased locally.



FRANKLIN FIREPLACE PARTS LIST

KEY NO.	PART NO.	NAME OF PART
1	5253	Damper
2	5255	Knob, Damper Connector
3	5254	Reducer
4	5079	Ornamental Knob (2 Req.)
5	5207	Top, Main
6	5208	Upper Front

KEY NO.	PART NO.	NAME OF PART
7	5256	Brass Eagle
8	5245	Knob Andiron (2 Req.)
9	2990	Baffle
10	5244	Andiron (2 Req.)
11	5243	Leg, Andiron (2 Req.)
12	5242	Fire Screen
13	5218	Ornamental Handle
14	5210	Hearth
15	5209	Column (2 Req.)
16	3006	Leg (2 Req.)
17	5174	Leg, Leveler
18	5246	Adjustable Leg
19	5213	Handle Bracket
20	1189	Cover with Bolt
21	5248	Back, Sides, & Bottom
	*F642-8649	Instructions & Parts List