

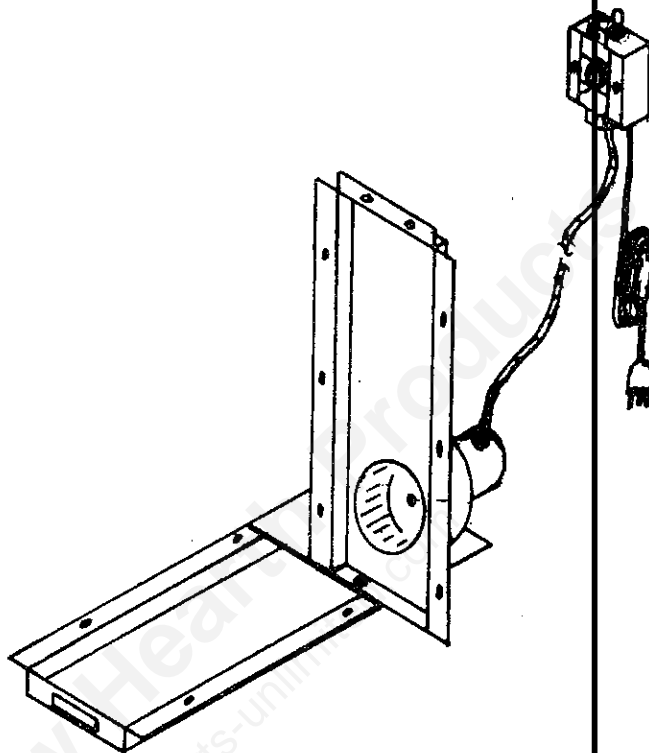
Sears

owners  
manual

STOCK NO.  
42-84053

CAUTION:  
Read All Instructions  
Carefully Before Start-  
ing The Installation.

Save This Manual For  
Future Reference.



## BLOWER KIT

- Installation
- Repair Parts

Sears, Roebuck and Co., Chicago, Ill. 60684 U.S.A.

PRINTED IN U.S.A.

# introduction

Your Blower Kit is shipped in two assemblies. The Motor, Inlet Duct and Control Box Assembly (A in Fig. 1), and the Outlet Duct (B). Sheet metal screws for mounting are also included.

# installation

1. Attach vertical inlet duct (A) to horizontal outlet duct (B) with metal screw.
2. To install on heater, slide the horizontal duct (B) on hangers under bottom of heater. Slide forward far enough so that the holes in the vertical duct flanges align with holes in back of heater. Attach with metal screws. (Fig. 2)
3. Attach control box (C) to back of heater at upper left corner. (Fig. 2)

# operation

1. Plug motor supply cord in convenient wall outlet.  
**Use 115 Volt A.C. Current Only.**
2. After the heater is in operation, the blower, when the switch is turned to AUTOMATIC-HIGH or AUTOMATIC-LOW will operate under the control of a built-in thermostat.
3. Set the switch for the speed desired or turn to OFF. Remember the heater must be hot for the blower to operate. The blower will shut off when the heater cools. Read instructions attached to control box for adjusting fan thermostat.

# maintenance

OIL THE BLOWER MOTOR TWICE A YEAR WITH 2 DROPS OF S.A.E. 20 OIL.

FIG. 1

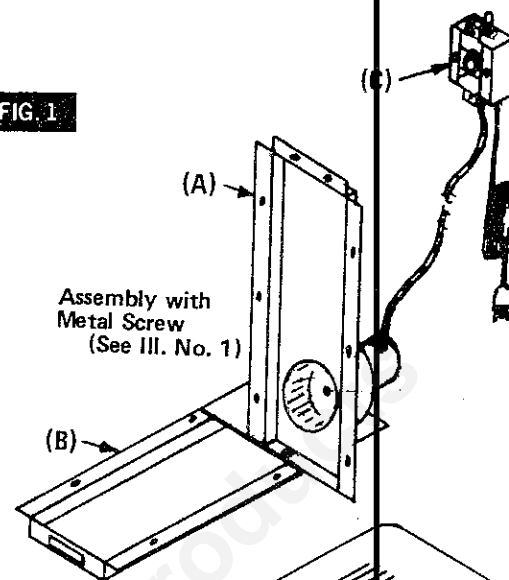


FIG. 2

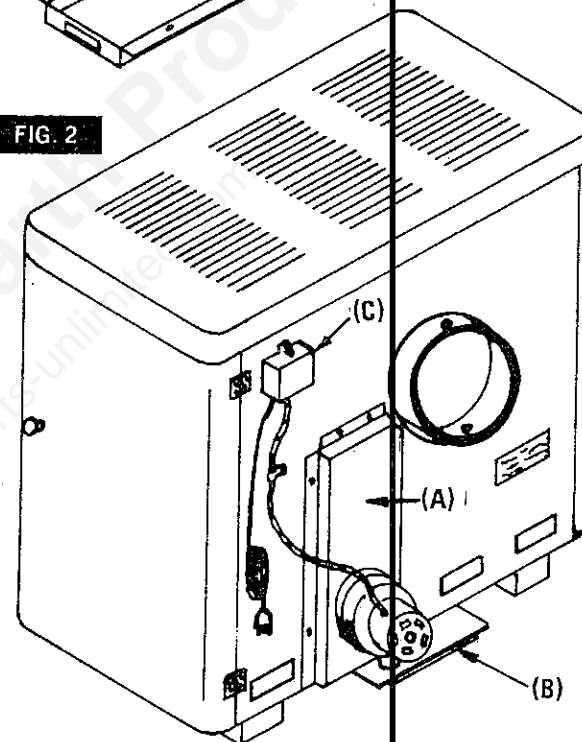
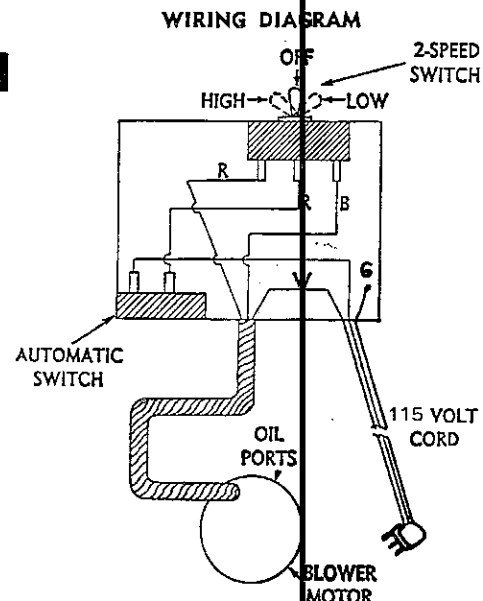


FIG. 3



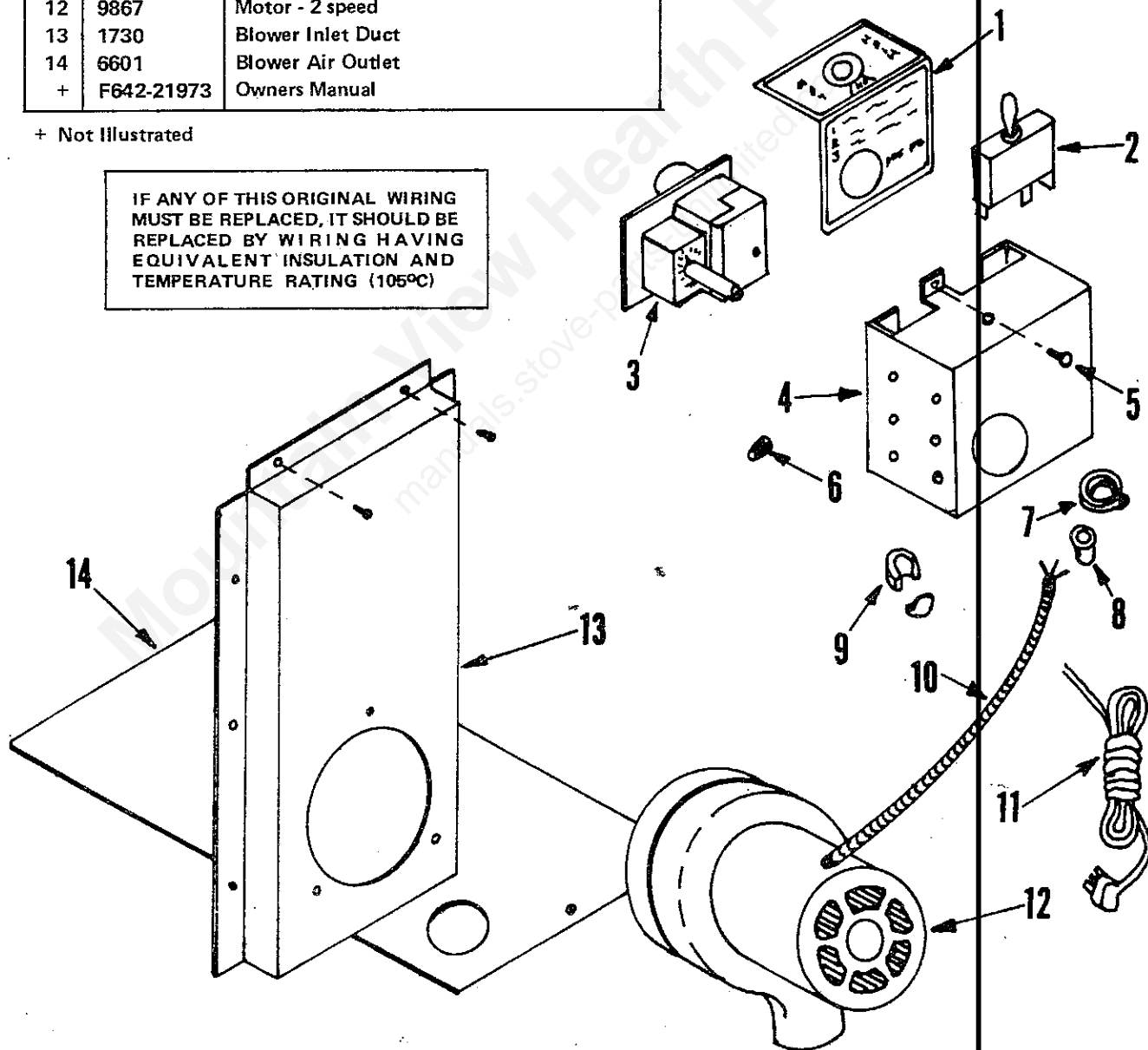
# repair parts

## SEARS ACCESSORY BLOWER KIT

Item	Part No.	Description
-	42-84053	Blower Kit - Complete
1	9858	Decal-Switch Instructions
2	9890	Switch - 3 Position
3	9178	Thermostat - Adjustable
4	1077	Switch Box
5	9424	Screws No. 10 x 1/2 Hex Head (2 Req.)
6	9859	Wire Nut (3 Req.)
7	9863	Connector
8	9865	Bushing Anti-Short
9	9866	Bushing-Strain Relief
10	9862	Conduit 5/16 Flexible
11	9354	Supply Cord (6 ft.)
12	9867	Motor - 2 speed
13	1730	Blower Inlet Duct
14	6601	Blower Air Outlet
+	F642-21973	Owners Manual

+ Not Illustrated

IF ANY OF THIS ORIGINAL WIRING  
MUST BE REPLACED, IT SHOULD BE  
REPLACED BY WIRING HAVING  
EQUIVALENT INSULATION AND  
TEMPERATURE RATING (105°C)



Sears

owners  
manual

**STOCK NO.**  
**42-84053**

HOW TO ORDER  
REPAIR PARTS

SEARS SERVICE  
IS AT YOUR SERVICE  
WHEREVER YOU LIVE  
OR MOVE IN THE U.S.A.

# BLOWER KIT

When ordering repair parts for your accessory Blower Kit, always mention the model number of your heater.

All parts listed herein may be ordered through SEARS, ROEBUCK AND CO., c/o Repair Parts Department 98. When ordering parts by mail, selling prices will be furnished on request or parts will be shipped at prevailing prices and you will be billed accordingly.

WHEN ORDERING REPAIR PARTS, ALWAYS GIVE THE FOLLOWING INFORMATION AS SHOWN IN THIS LIST.

1. The PART NUMBER
2. The PART DESCRIPTION
3. The MODEL NUMBER
4. The NAME OF ITEM

Your Sears merchandise takes on added value when you discover that Sears has over 2,000 Service Units throughout the country. Each is staffed by Sears-trained, professional technicians using Sears approved parts and methods.

Sears, Roebuck and Co., Chicago Ill. 60684 U.S.A.