

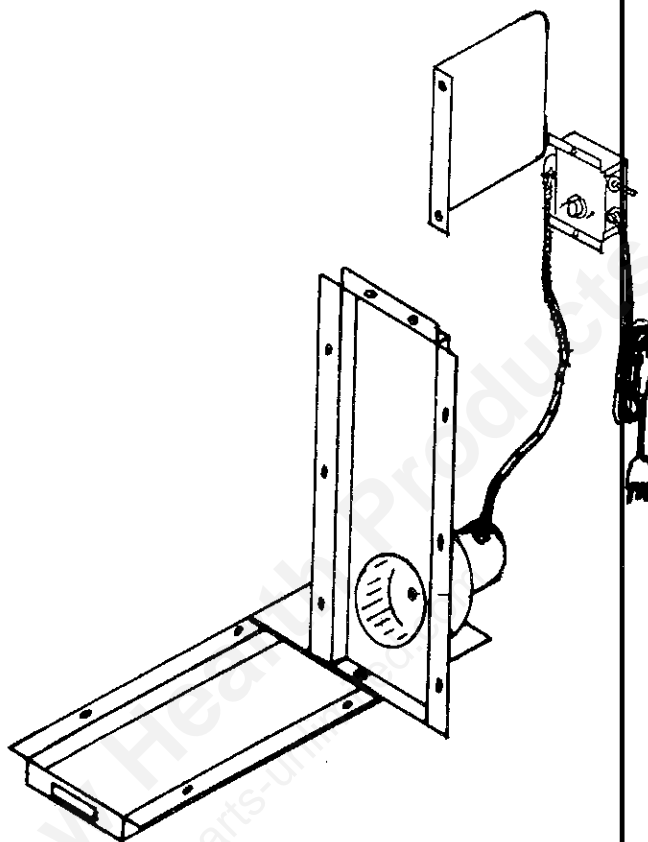
Sears

owners
manual

**STOCK NO.
42-84066**

CAUTION:
Read All Instructions
Carefully Before Start-
ing The Installation.

**Save This Manual For
Future Reference.**



BLOWER KIT
FOR
WOODBURNING CIRCULATOR HEATER

- Installation
- Repair Parts

Sears, Roebuck and Co., Chicago, Ill. 60684 U.S.A.

PRINTED IN U.S.A.

introduction

Your Blower Kit is shipped in three parts. It is completely wired and ready for attachment to your Woodburning Circulator Heater.

installation

1. Attach Vertical Inlet Duct (A) to Horizontal Outlet Duct (B) with one sheet metal screw (Fig. 1).
2. Slide the Horizontal Outlet Duct (B) into the rails on the bottom of the heater base (Fig. 2).
3. Attach the Vertical Duct (a) to the back of the Heater using eight sheet metal screws (Fig. 2).
4. Attach the Control Box (C) to the back of the Heater at the upper left corner using two sheet metal screws (Fig. 2).
5. Attach Heater Shield (D) using two sheet metal screws (Fig. 2).
6. Attach conduit, with clamp and screw from parts bag, to inlet duct at hole provided (Fig. 2).

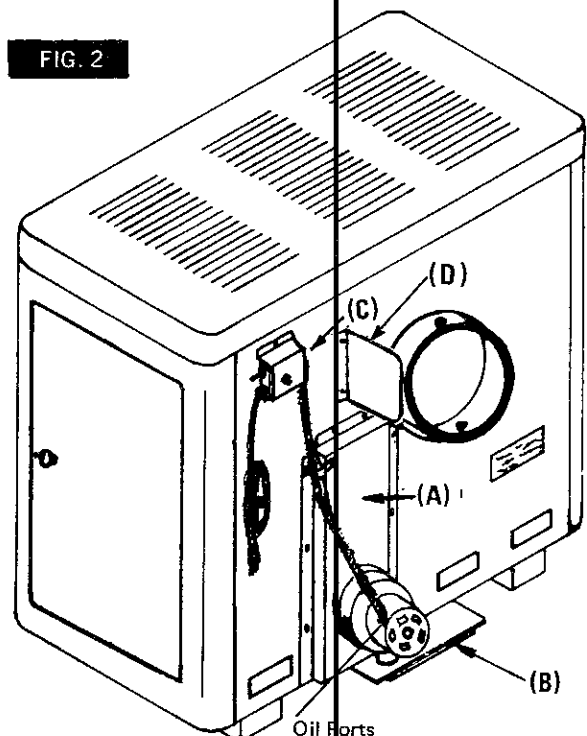
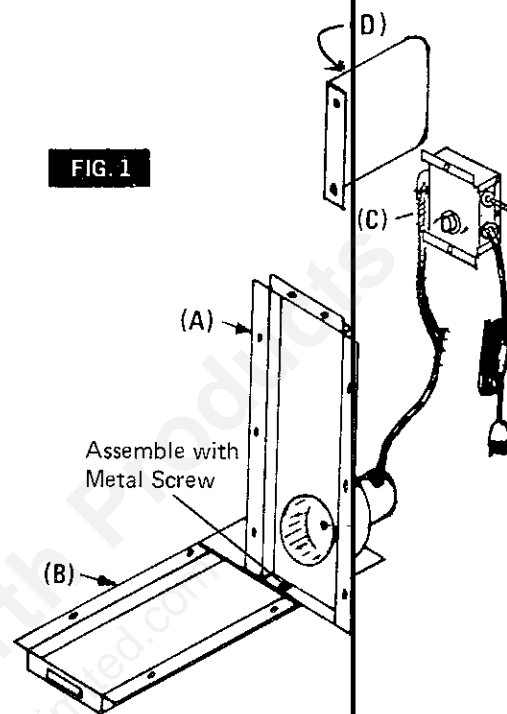
operation

1. Plug the power supply cord into a 120 Volt A.C. grounded outlet only.
2. Light a fire in the heater.
3. Turn the switch on the Blower Control Box to HIGH or LOW speed position. The Blower will Automatically turn on when the heater reaches operating temperature and will turn off when the heater has cooled.

NOTE: The thermostatic fan switch can be adjusted to give longer or shorter "ON" periods by rotating the adjustment shaft on the back of the Control Box. See instruction label on box.

maintenance

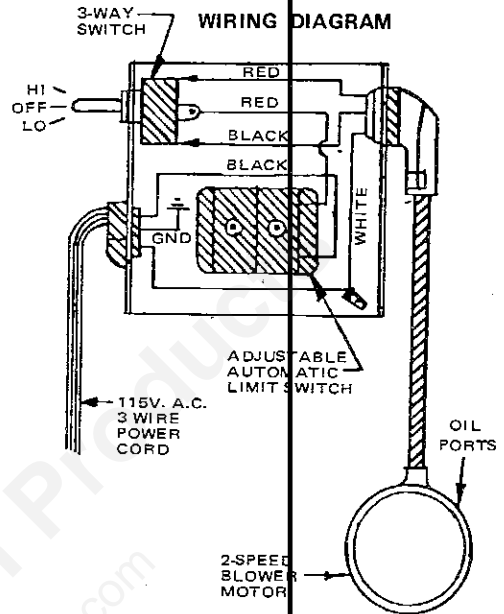
OIL THE BLOWER MOTOR TWICE A YEAR WITH 2 DROPS OF S.A.E. 20 OIL.



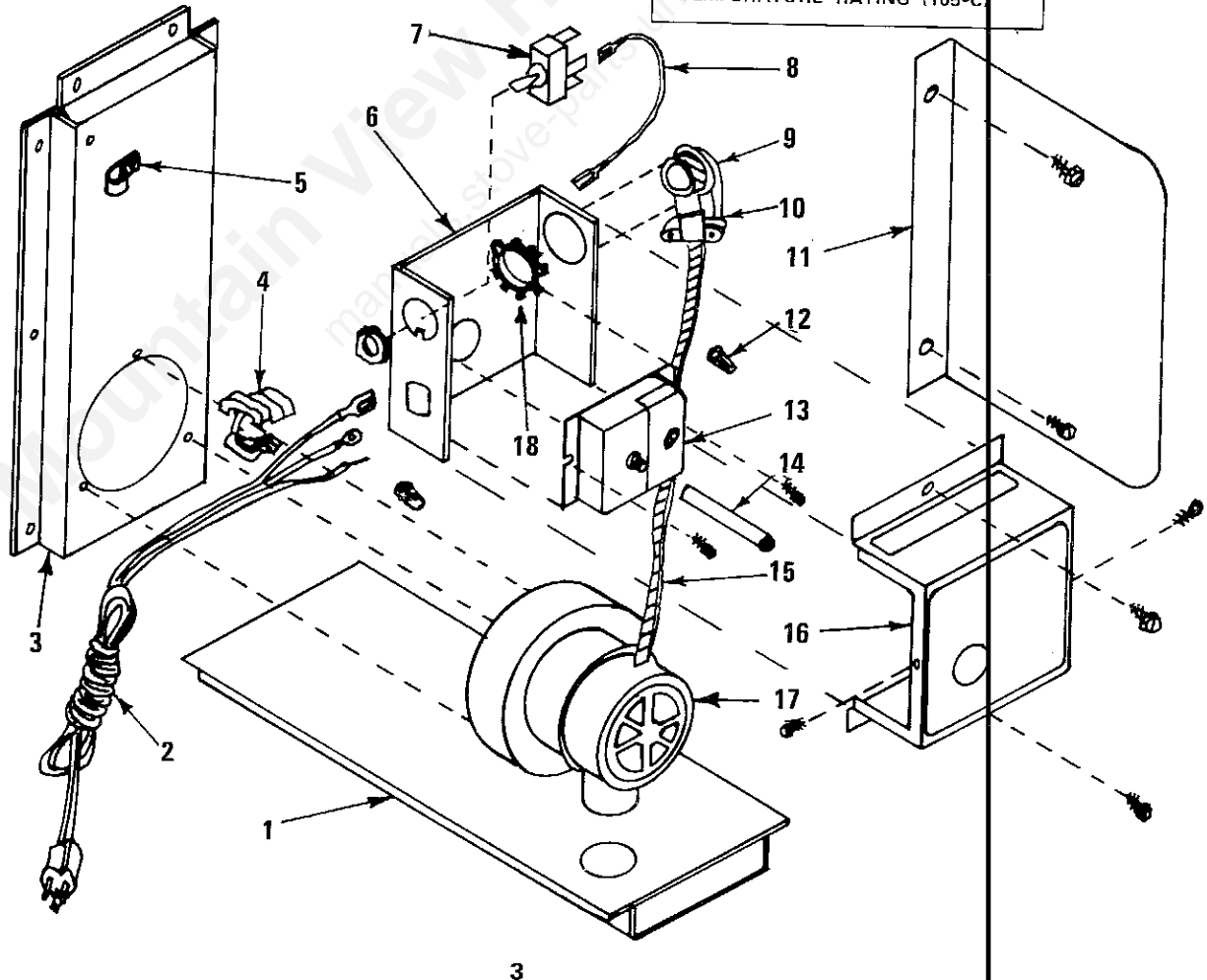
repair parts

ITEM	PART NO.	DESCRIPTION
	42-84066	Blower Kit – Complete
+	83012	Sheet Metal Screw (23 Req'd.)
1	66010	Duct, Outlet Air
2	80002	Cord, Power Supply
3	17300	Duct, Inlet, Blower
4	83825	Bushing, Strain Relief
5	80068	Clamp, Conduit
6	21270	Plate, Mounting, Control
7	80004	Switch, 3-way
8	80085	Jumper, Wire
9	80062	Connector
10	83801	Bushing, Anti-short (not visible)
11	21272	Shield, Housing, Control
12	80006	Nut, Wire
13	80007	Switch, Limit, Adjustable
14	89009	Sleeve, Nylon Adjusting
15	80061	Conduit
16	21271	Cover, Control, Blower
17	80084	Motor
18	80069	Conduit Locknut
+	85141	Owners Manual (F642-8576)

+ Not Illustrated



IF ANY OF THIS ORIGINAL WIRING MUST BE REPLACED, IT SHOULD BE REPLACED BY WIRING HAVING EQUIVALENT INSULATION AND TEMPERATURE RATING (1059C).



Sears

**owners
manual**

**STOCK NO.
42-84066**

**HOW TO ORDER
REPAIR PARTS**

**SEARS SERVICE
IS AT YOUR SERVICE
WHEREVER YOU LIVE
OR MOVE IN THE U.S.A.**

BLOWER KIT

When ordering repair parts for your accessory Blower Kit, always mention the model number of your heater.

All parts listed herein may be ordered from any Sears, Roebuck and Co. or Simpsons-Sears Limited retail or catalog store.

**WHEN ORDERING REPAIR PARTS, ALWAYS GIVE
THE FOLLOWING INFORMATION:**

- 1. PART NUMBER**
- 2. PART DESCRIPTION**
- 3. MODEL NUMBER**
- 4. NAME OF ITEM**

If the parts you need are not stocked locally, your order will be transmitted to a Sears Repair Parts Distribution Center for quick handling.

Your Sears Merchandise takes on added value when you discover that Sears has over 1,200 Service Units throughout the country. Each is staffed by Sears-trained, professional technicians using Sears approved parts and methods.

Sears, Roebuck and Co., Chicago, Ill. 60684 U.S.A.