

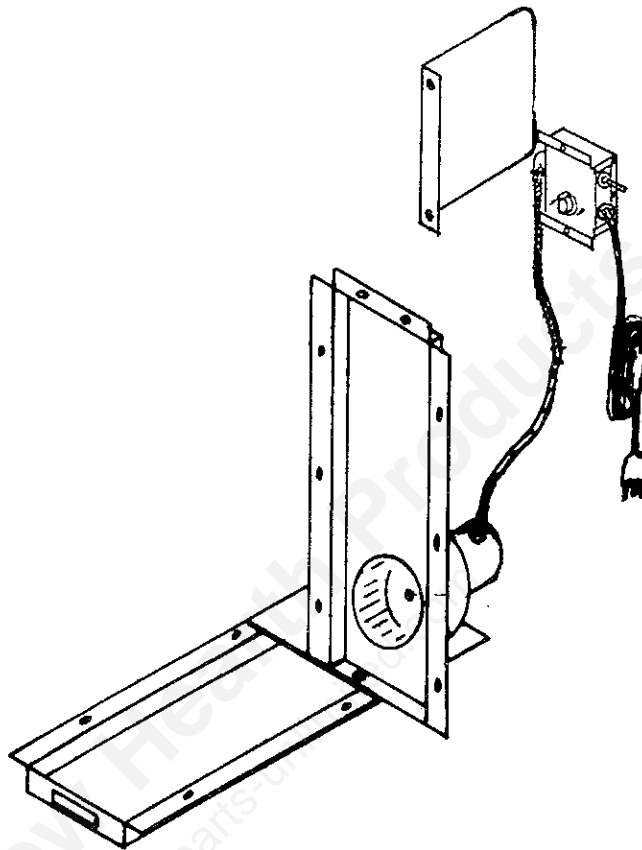
Sears

**owners
manual**

**STOCK NO.
42-84066**

CAUTION:
Read All Instructions
Carefully Before Start-
ing The Installation.

**Save This Manual For
Future Reference.**



BLOWER KIT
FOR
WOODBURNING CIRCULATOR HEATER

- Installation
- Repair Parts

Sears, Roebuck and Co., Chicago, Ill. 60684 U.S.A.

PRINTED IN U.S.A.

introduction

Your Blower Kit is shipped in two assemblies. The Motor, Inlet Duct and Control Box Assembly (A in Fig. 1), and the Outlet Duct (B). Sheet metal screws for mounting are also included.

installation

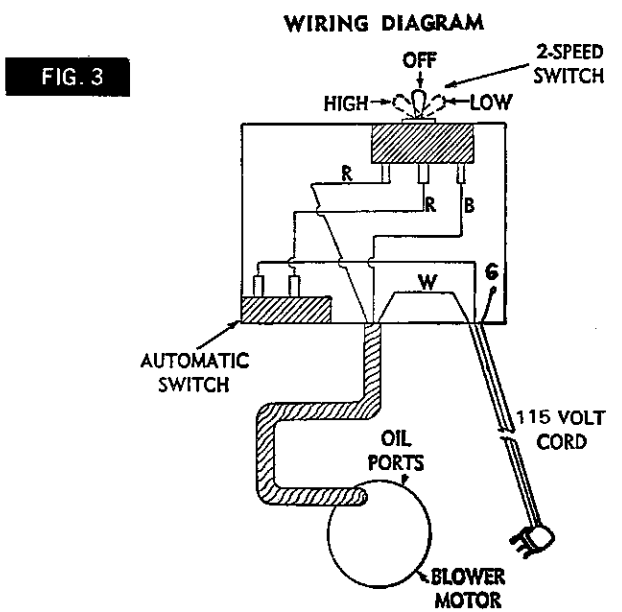
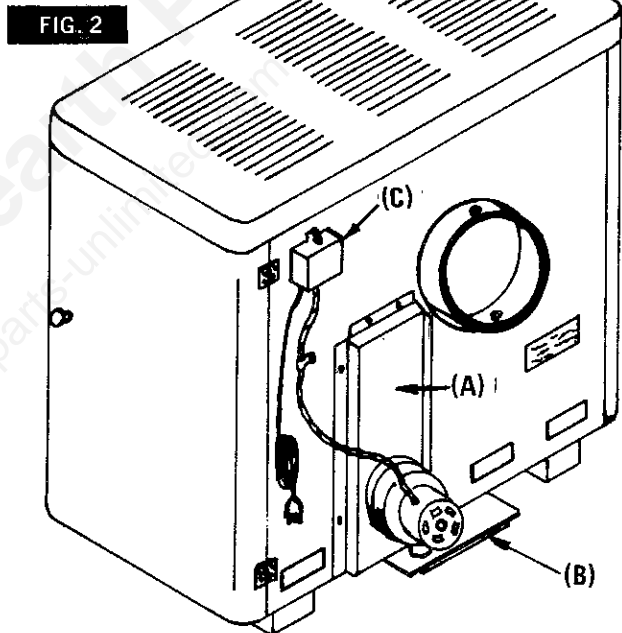
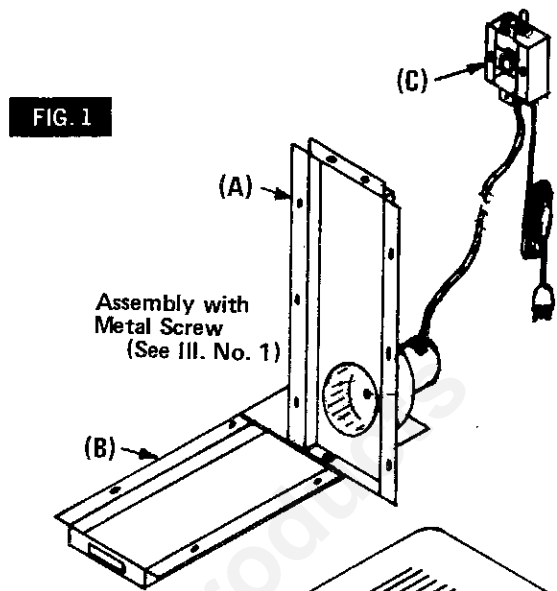
1. Attach vertical inlet duct (A) to horizontal outlet duct (B) with metal screw.
2. To install on heater, slide the horizontal duct (B) on hangers under bottom of heater. Slide forward far enough so that the holes in the vertical duct flanges align with holes in back of heater. Attach with metal screws. (Fig. 2)
3. Attach control box (C) to back of heater at upper left corner. (Fig. 2)

operation

1. Plug motor supply cord in convenient wall outlet.
Use 115 Volt A.C. Current Only.
2. After the heater is in operation, the blower, when the switch is turned to AUTOMATIC-HIGH or AUTOMATIC-LOW will operate under the control of a built-in thermostat.
3. Set the switch for the speed desired or turn to OFF. Remember the heater must be hot for the blower to operate. The blower will shut off when the heater cools. Read instructions attached to control box for adjusting fan thermostat.

maintenance

OIL THE BLOWER MOTOR TWICE A YEAR WITH 2 DROPS OF S.A.E. 20 OIL.



Sears

**owners
manual**

**STOCK NO.
42-84053**

**HOW TO ORDER
REPAIR PARTS**

**SEARS SERVICE
IS AT YOUR SERVICE
WHEREVER YOU LIVE
OR MOVE IN THE U.S.A.**

BLOWER KIT

When ordering repair parts for your accessory Blower Kit, always mention the model number of your heater.

All parts listed herein may be ordered through SEARS, ROEBUCK AND CO., c/o Repair Parts Department 98. When ordering parts by mail, selling prices will be furnished on request or parts will be shipped at prevailing prices and you will be billed accordingly.

WHEN ORDERING REPAIR PARTS, ALWAYS GIVE THE FOLLOWING INFORMATION AS SHOWN IN THIS LIST.

1. The PART NUMBER
2. The PART DESCRIPTION
3. The MODEL NUMBER
4. The NAME OF ITEM

Your Sears merchandise takes on added value when you discover that Sears has over 2,000 Service Units throughout the country. Each is staffed by Sears-trained, professional technicians using Sears approved parts and methods.

Sears, Roebuck and Co., Chicago, Ill. 60684 U.S.A.