

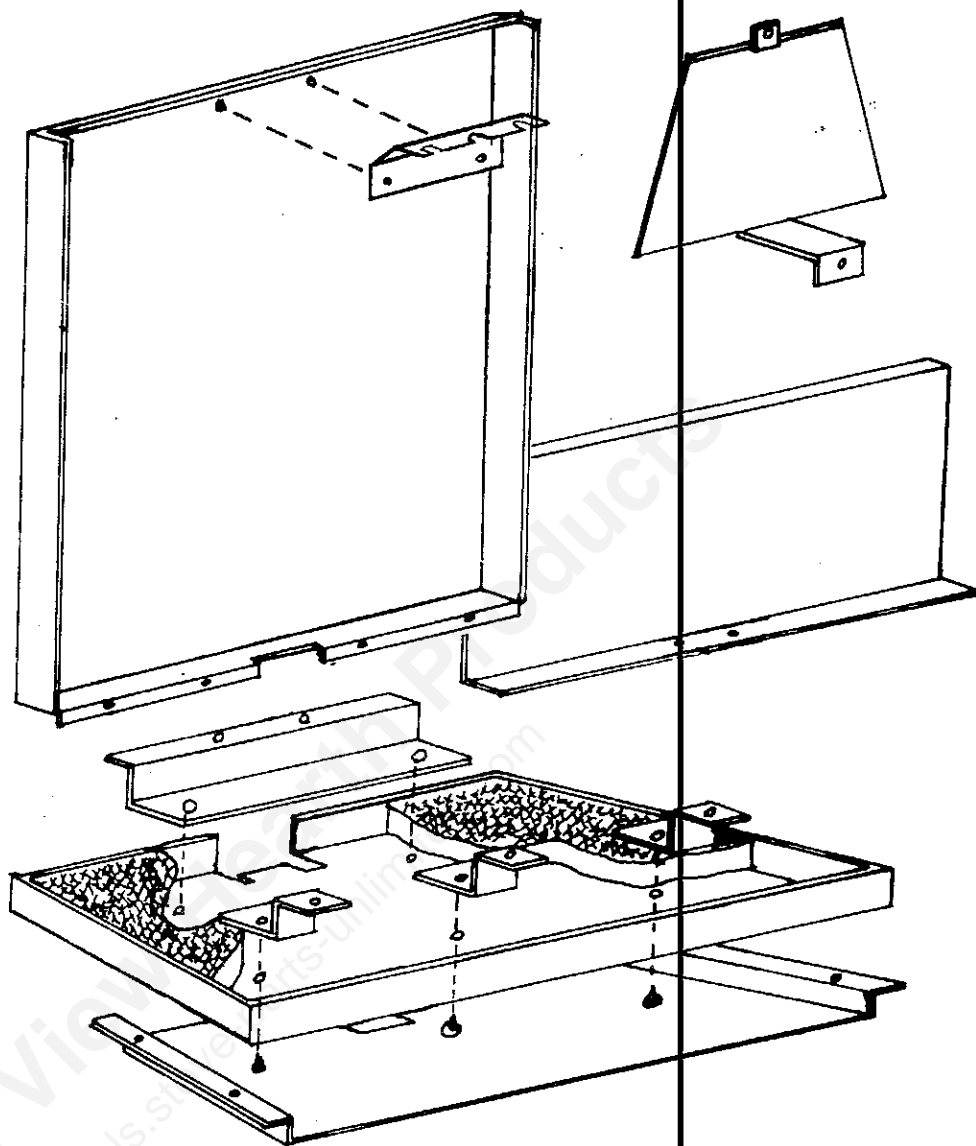
Sears

**owners
manual**

**STOCK NO.
42-8421
42-84002**

CAUTION:
Read All Instructions
Carefully Before Start-
ing The Installation.

**SAVE THIS MANUAL FOR
FUTURE REFERENCE.**



HEAT SHIELD KIT

- Installation
- Repair Parts

Sears, Roebuck and Co., Chicago, Ill. 60684 U.S.A.

PRINTED IN U. S. A.

85133 10/76

F642-2776

introduction

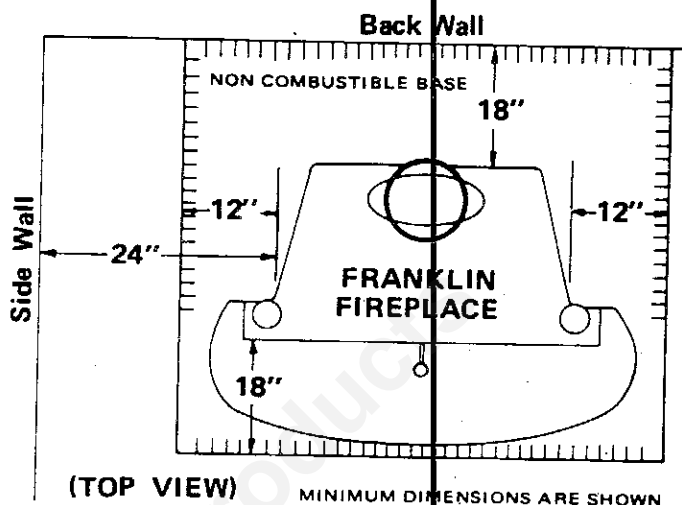
Be sure you have the right kit. Check the chart below. Check the number stamped on the kit carton. Your fireplace model number is on a plate fastened to the back.

KIT NO.	FIREPLACE MODEL NO.	FIREBOX OPENING
42-8421	143.846600	25 3/4"
42-84002	143.846700	30"

See Research Recommendation No. 2073 of the International Conference of Building Officials. With this kit on your Franklin Fireplace, the fireplace can be placed as close as 18" to a combustible wall at the back. The side wall clearance on either side must be at least 24" from the firebox side. The base under the fireplace must be non-combustible.

FIG. 1 MINIMUM CLEARANCES

TO COMBUSTIBLE SURFACES



installation

Your kit includes the parts shown on page 3. Unpack and identify each item. Then follow the step by step instructions. No drilling is required. All of the parts are mounted using existing bolts and holes.

1. The Firebox Back Baffle Key No. 1

Place this baffle inside the Franklin against back wall. Bolt it in place with the same bolts used to attach the rear leg.

2. The Insulated Bottom Key Nos. 2, 3, & 4

The Insulated Bottom (4), will be installed under the Franklin main bottom. Turn the Franklin over on its top. Use three brackets (3), at the front. Use bracket (2), at the back. Place the brackets over the bolts already in the heater. Attach with 1/4-20 nuts provided. Fasten the Insulated Bottom to the brackets. Use the sheet metal screws provided. *Note: Remove the insulation and align the holes in the bracket with the holes in the bottom plate. Replace the insulation and install the five sheet metal screws.

3. The Bottom Shield Key No. 5

Install the bottom shield to the insulated bottom. Use the metal screws provided. This shield leaves an air space for air flow up the back of the Franklin.

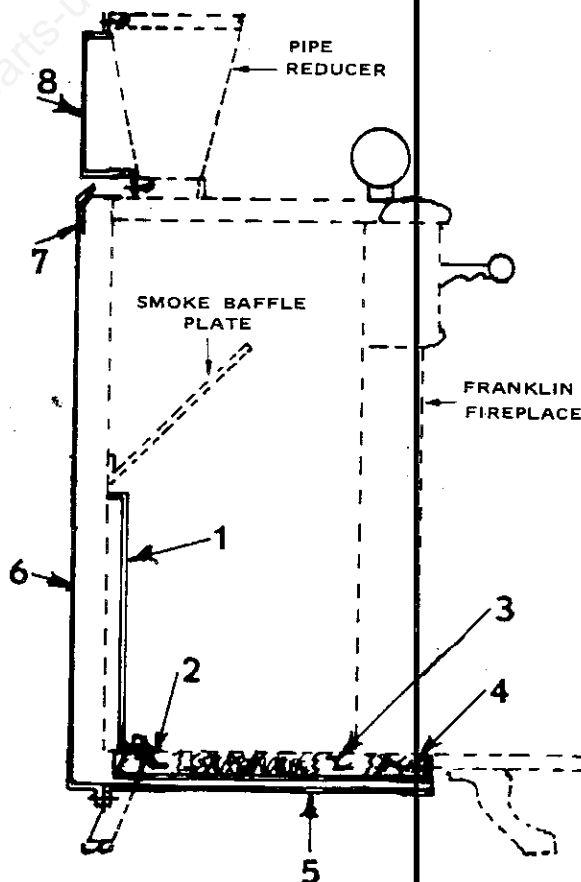
4. The Outside Back Shield Key No. 6

Set the Franklin up on its 3 legs. Attach back shield bracket (7), to back shield, with two (2) sheet metal screws. Next, attach back shield bracket to Franklin main top at center by loosening bolt in main top. Slide bracket under bolt head, tighten bolt. Also fasten the back shield to the bottom shield with sheet metal screws at holes in bottom flanges.

5. The Pipe Reducer Shield Key No. 8

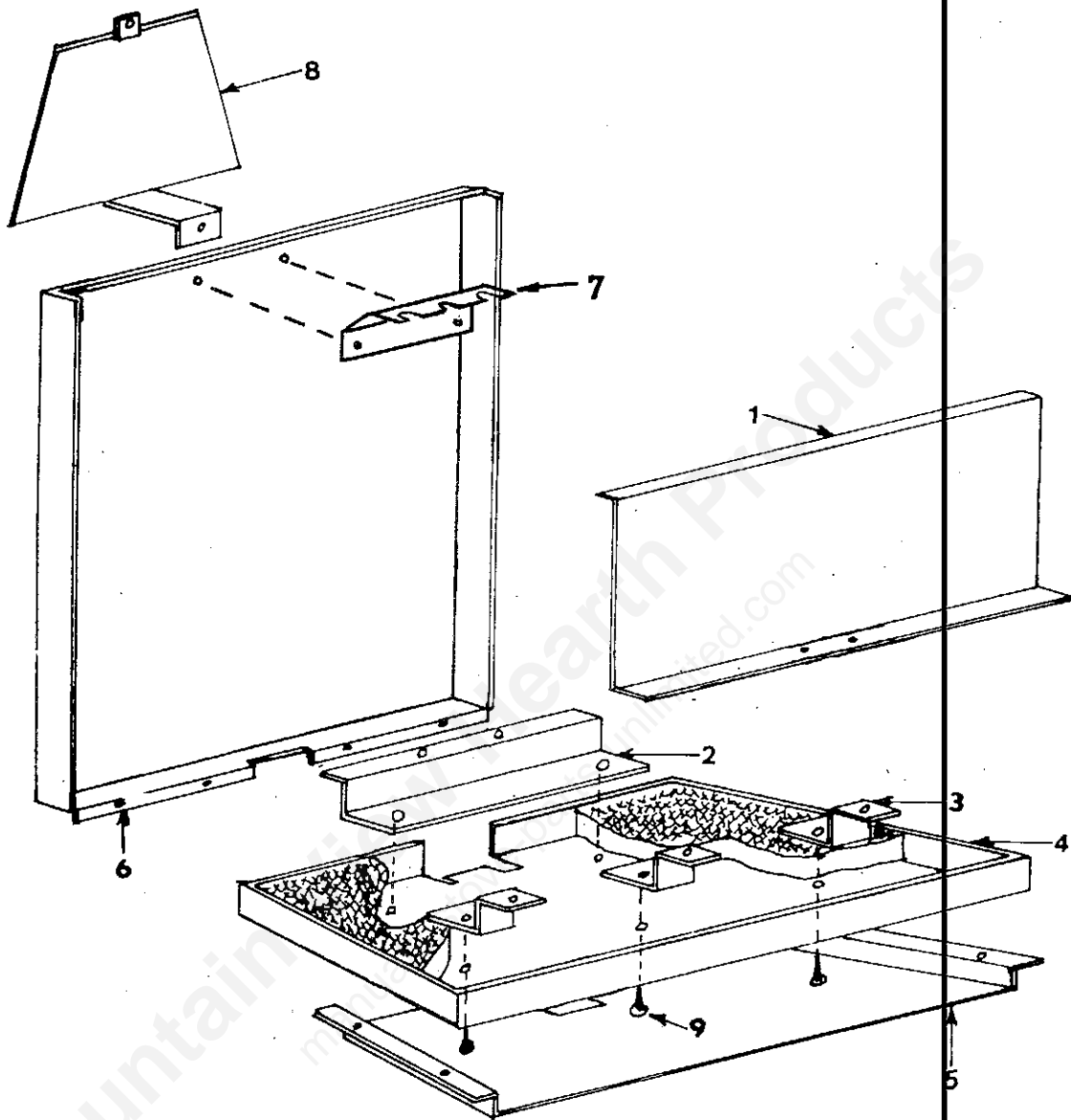
Move Franklin into position. See Fig. 1 for minimum clearances. Place pipe reducer on Franklin top oval flanged outlet. Attach shield (8), to back of reducer with bolts in holes at top and bottom flange. These bolts are normally used to secure reducer (boot) to Franklin flange and pipe to top of reducer. First section of standard 8" stovepipe must be attached to top of reducer so the top bolt will align with the holes.

FIG. 2 HEAT SHIELD INSTALLATION



repair parts

REFER TO THE MODEL NUMBER OF YOUR FRANKLIN FIREPLACE WHEN ORDERING REPAIR PARTS FOR YOUR HEAT SHIELD KIT.



KEY NO.	PART NUMBERS FOR KIT NUMBERS		DESCRIPTION
	42-8421	42-84002	
1	19560	19480	Firebox Back Baffle
2	18750	18750	Bracket - Rear
3	18760	18760	Bracket - Front (3 Req.)
4	19570	19500	Insulated Bottom
5	19590	19450	Bottom Shield
6	19600	19460	Outside Back Shield
7	21075	21075	Bracket - Back Shield
8	19550	19550	Reducer Shield
9	83092	83092	Metal Screw (5 Req.) No. 10 x 1"
*	83012	83012	Metal Screws (10 Req.) No. 10 x 1/2
*	83001	83001	1/4 - 20 Nut (5 Req.)
*	85133	85133	Owners Manual (F642-2776)

* Not Illustrated

Sears

owners manual

**STOCK NO.
42-8421
42-84002**

HOW TO ORDER REPAIR PARTS

**SEARS SERVICE
IS AT YOUR SERVICE
WHEREVER YOU LIVE
OR MOVE IN THE U.S.A.**

HEAT SHIELD KIT

The Model Number will be found on a plate mounted on the back of the Fireplace. Always mention the Model Number when requesting service or repair parts for your Franklin Fireplace.

All parts listed herein may be ordered through SEARS, ROEBUCK AND CO., c/o. Repair Parts Department 98. When ordering parts by mail, selling prices will be furnished on request or parts will be shipped at prevailing prices and you will be billed accordingly.

WHEN ORDERING REPAIR PARTS, ALWAYS GIVE THE FOLLOWING INFORMATION AS SHOWN IN THIS LIST.

1. The PART NUMBER
2. The PART DESCRIPTION
3. The MODEL NUMBER
4. The NAME OF ITEM

Your Sears merchandise takes on added value when you discover that Sears has over 2,000 Service Units throughout the country. Each is staffed by Sears-trained, professional technicians using Sears approved parts and methods.

Sears, Roebuck and Co., Chicago, Ill. 60684 U.S.A.