

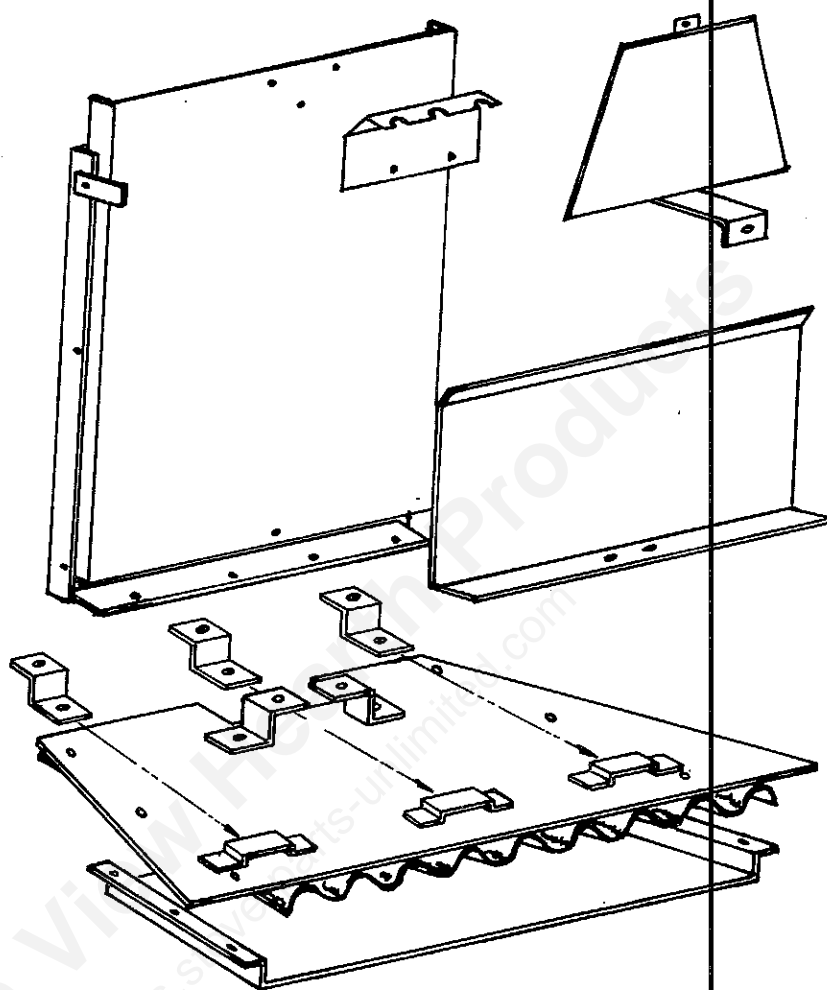
**Sears**

**owners  
manual**

STOCK NO.  
42-8426  
42-84001

**CAUTION:**  
Read All Instructions  
Carefully Before Start-  
ing The Installation.

**SAVE THIS MANUAL FOR  
FUTURE REFERENCE.**



## **HEAT SHIELD KIT**

- Installation
- Repair Parts

**CAUTION – CHECK ALL COMPONENTS OF YOUR HEAT SHIELD KIT PACKAGE AGAINST THE PARTS LISTED BEFORE STARTING ASSEMBLY. THE HEAT SHIELD KIT MUST BE COMPLETELY AND CORRECTLY INSTALLED FOR YOUR FRANKLIN FIREPLACE TO CONFORM TO ICBO RESEARCH REPORT NO. 2073.**

**Sears, Roebuck and Co., Chicago, Ill. 60684 U.S.A.**

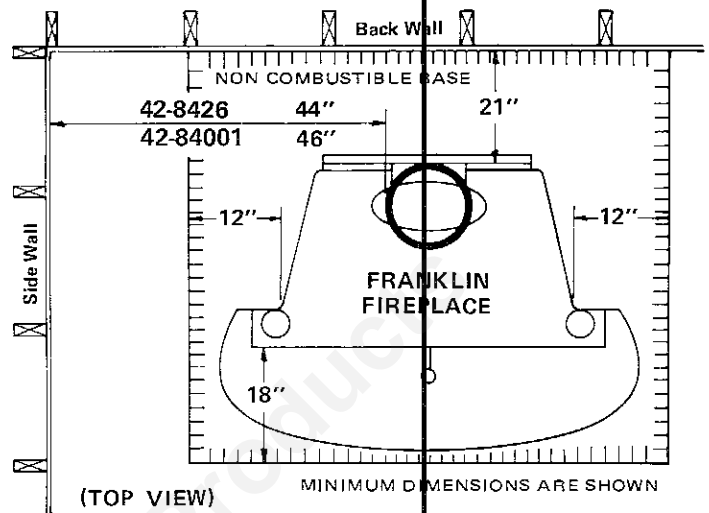
# introduction

Be sure you have the right kit. Check the chart below. Check the number stamped on the kit carton. Your fireplace model number is on a plate fastened to the back.

| KIT NO.  | FIREPLACE MODEL NO. | FIREBOX OPENING |
|----------|---------------------|-----------------|
| 42-8426  | 143.846600          | 25 3/4"         |
|          | 143.841390          |                 |
|          | 143.841660          |                 |
| 42-84001 | 143.846700          | 30"             |
|          | 143.841490          |                 |
|          | 143.841670          |                 |

See Research Report No. 2073 of the International Conference of Building Officials. With this kit on your Franklin Fireplace, the fireplace can be placed as close as 21" to a combustible wall at the back. The side wall clearance on either side must be as shown in Fig. 1. The base under the fireplace must be non-combustible (1 1/2" minimum thick patio stone or brick with asbestos board or steel under the stove).

**FIG. 1 MINIMUM CLEARANCES TO COMBUSTIBLE SURFACES**



# installation

Your kit includes the parts shown on page 3. Unpack and identify each item. Then, follow the step by step instructions. No drilling is required. All of the parts are mounted using existing bolts and holes, and supplied mounting hardware.

**NOTE:** For your added convenience and safety, a Heat Shield Handle is included in your kit. The Heat Shield Handle is used to operate the Damper Slides and the Door Latch when the unit is in operation.

## 1. The Inner Rear Liner Key No. 1

Place this liner inside the Franklin against back wall. Bolt it in place with the same bolts used to attach the rear leg.

## 2. The Bottom Mounting Brackets Key No. 2

Turn the Franklin over on its top. Attach 5 Brackets to 5 protruding bolts extending through the bottom (position as shown on page 3, 3 brackets toward the front, 2 toward the rear). Secure with nuts (supplied).

## 3. The Inner Bottom Shield Key No. 3

Slide Inner Shield over 3 front mounting Brackets and attach back of shield to 2 rear Brackets with 2 metal screws (supplied).

## 4. The Bottom Shield Key No. 4

Attach Bottom Shield to Inner Shield with 6 metal screws (supplied).

## 5. The Back Shield Key No. 5

Attach Back Shield to Bottom Shield with 4 metal screws (supplied) (Back Shield overlaps Bottom Shield).

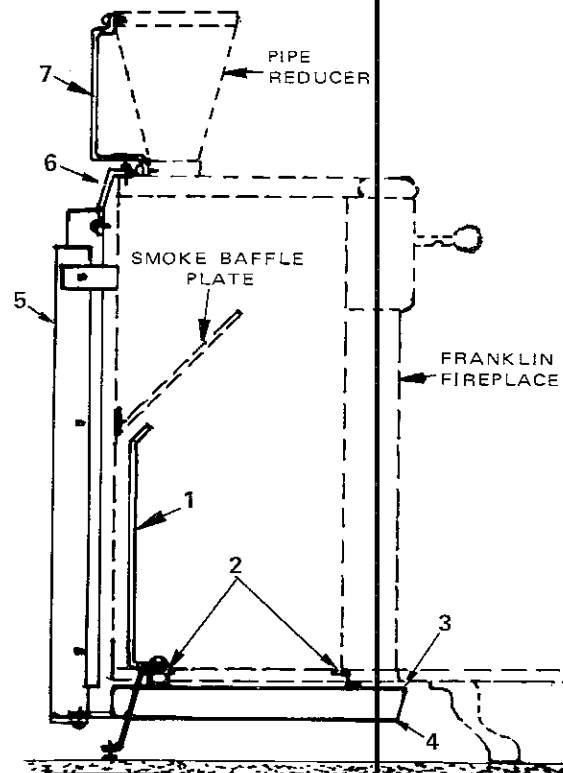
## 6. The Back Shield Mounting Bracket Key No. 6

Turn the Franklin upright. Loosen existing bolts at top rear of the Franklin. Attach Mounting Bracket to Back Shield with 2 metal screws (supplied) and fit the slots into position over existing bolts on top of the Franklin. Tighten existing bolts securing the Back Shield.

## 7. The Pipe Reducer Shield Key No. 7

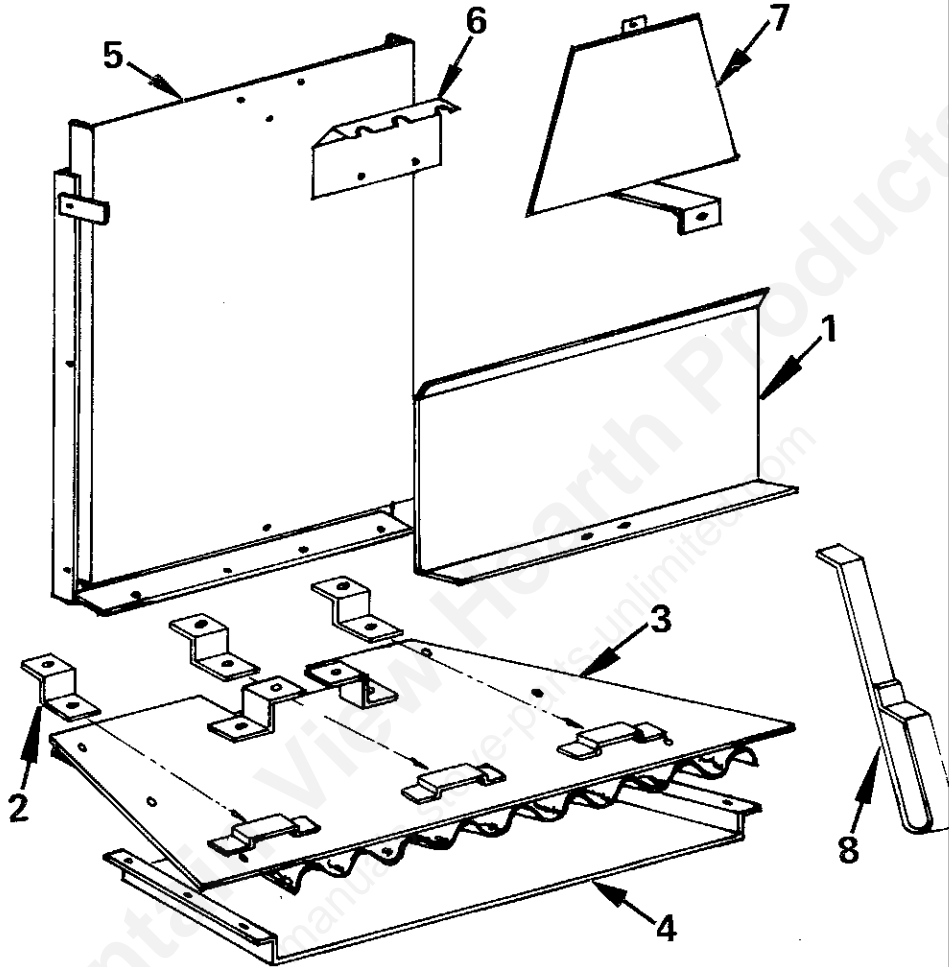
Move Franklin into position. See Fig. 1 for minimum clearances. Place pipe reducer on Franklin top oval flanged outlet. Attach shield, Key No. 7, to back of reducer with bolts in holes at top and bottom flange. These bolts are normally used to secure boot to Franklin flange and pipe to top of reducer. First section of standard 8" stovepipe must be attached to top of reducer so the top bolt will align with the holes.

**FIG. 2 HEAT SHIELD INSTALLATION**



# repair parts

REFER TO THE MODEL NUMBER OF YOUR FRANKLIN FIREPLACE WHEN ORDERING REPAIR PARTS FOR YOUR HEAT SHIELD KIT.



| KEY NO. | QTY. | PART NUMBERS FOR KIT NUMBERS |          | DESCRIPTION                                  |
|---------|------|------------------------------|----------|--|
|         |      | 42-8426                      | 42-84001 |  |
| 1       | 1    | 21558                        | 21579    | Inner Rear Liner                             |
| 2       | 5    | 18760                        | 18760    | Mounting Bracket – Bottom                    |
| 3       | 1    | 67505                        | 67506    | Inner Bottom Shield Asm.                     |
| 4       | 1    | 19590                        | 19450    | Bottom Shield                                |
| 5       | 1    | 67499                        | 67501    | Rear Heat Shield Asm.                        |
| 6       | 1    | 21590                        | 21590    | Mounting Bracket – Back Shield               |
| 7       | 1    | 19550                        | 19550    | Reducer Shield                               |
| 8       | 1    | 21605                        | 21605    | Heat Shield Handle                           |
| *       | 14   | 83165                        | 83165    | Metal Screw - No. 10 x 1/2" Slotted Hex Head |
| *       | 5    | 83001                        | 83001    | Nut - 1/4 - 20                               |
| *       | 1    | 85227                        | 85227    | Owners Manual (F642-4678)                    |

\* Not Illustrated

**Sears**

## owners manual

STOCK NO.  
42-8426  
42-84001

### HOW TO ORDER REPAIR PARTS

**SEARS SERVICE  
IS AT YOUR SERVICE  
WHEREVER YOU LIVE  
OR MOVE IN THE U.S.A.**

# HEAT SHIELD KIT

Now that you have purchased your Heat Shield Kit should a need ever exist for repair parts or service, simply contact any Sears Service Center and Most Sears, Roebuck and Co. stores. Be sure to provide all pertinent facts when you call or visit.

Always refer to the Model Number of your Franklin Fireplace which will be found on a plate mounted on the back of the Fireplace.

WHEN ORDERING REPAIR PARTS, ALWAYS GIVE THE FOLLOWING INFORMATION:

- PART NUMBER
- MODEL NUMBER
- PART DESCRIPTION
- NAME OF ITEM

All parts listed may be ordered from any Sears Service Center and most Sears stores.

If the parts you need are not stocked locally, your order will be electronically transmitted to a Sears Repair Parts Distribution Center for handling.

When Sears arranges the installation, you can be sure the job is done right. We will arrange for professional workmanship . . . and we'll take care of the entire project. What's more, during installation you get insured protection . . . against property damage and also against accidents to workmen. All you have to do is talk to your Sears salesperson or call your nearest Sears store today for detailed information.

**Sears, Roebuck and Co., Chicago, Ill. 60684 U.S.A.**