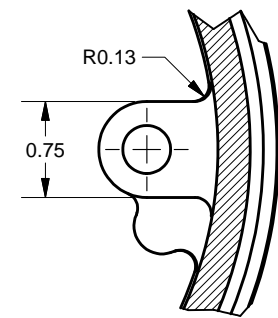
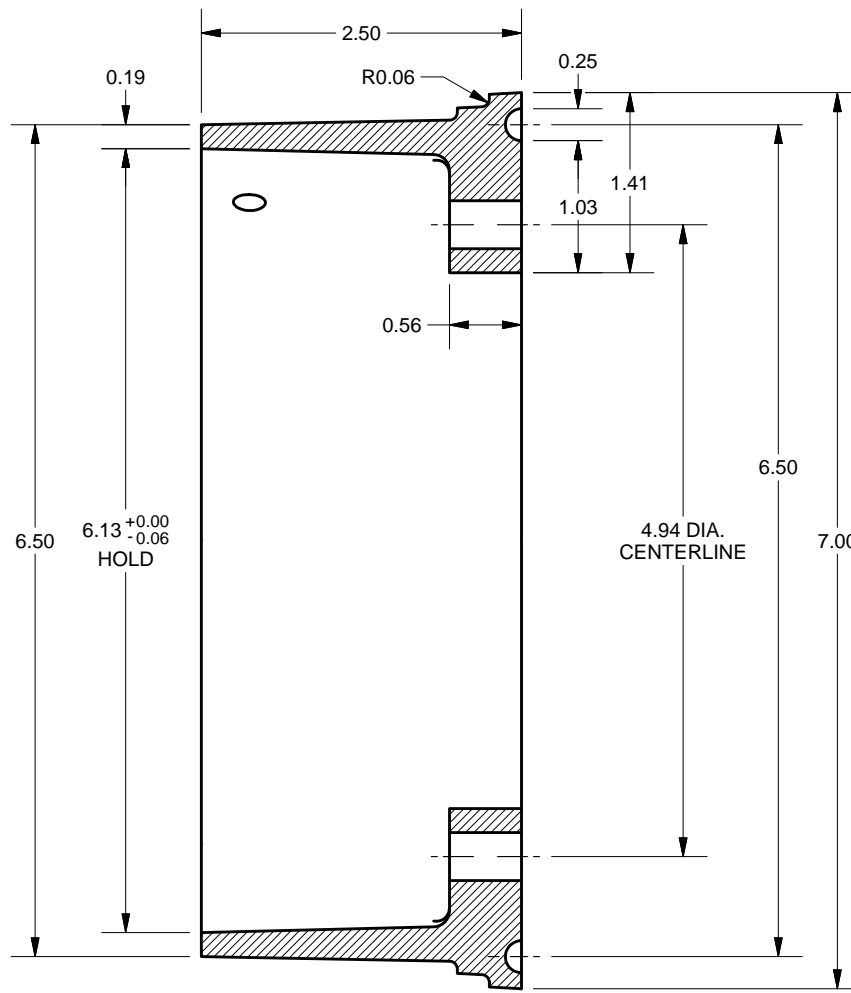
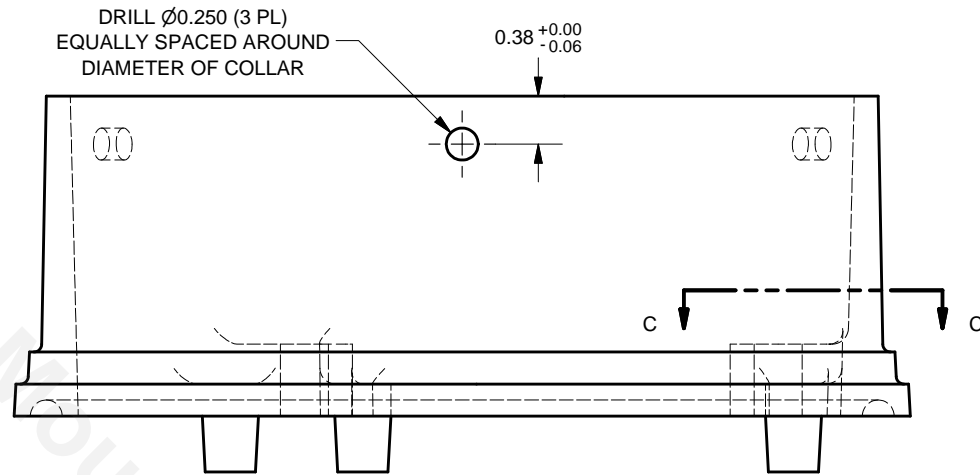


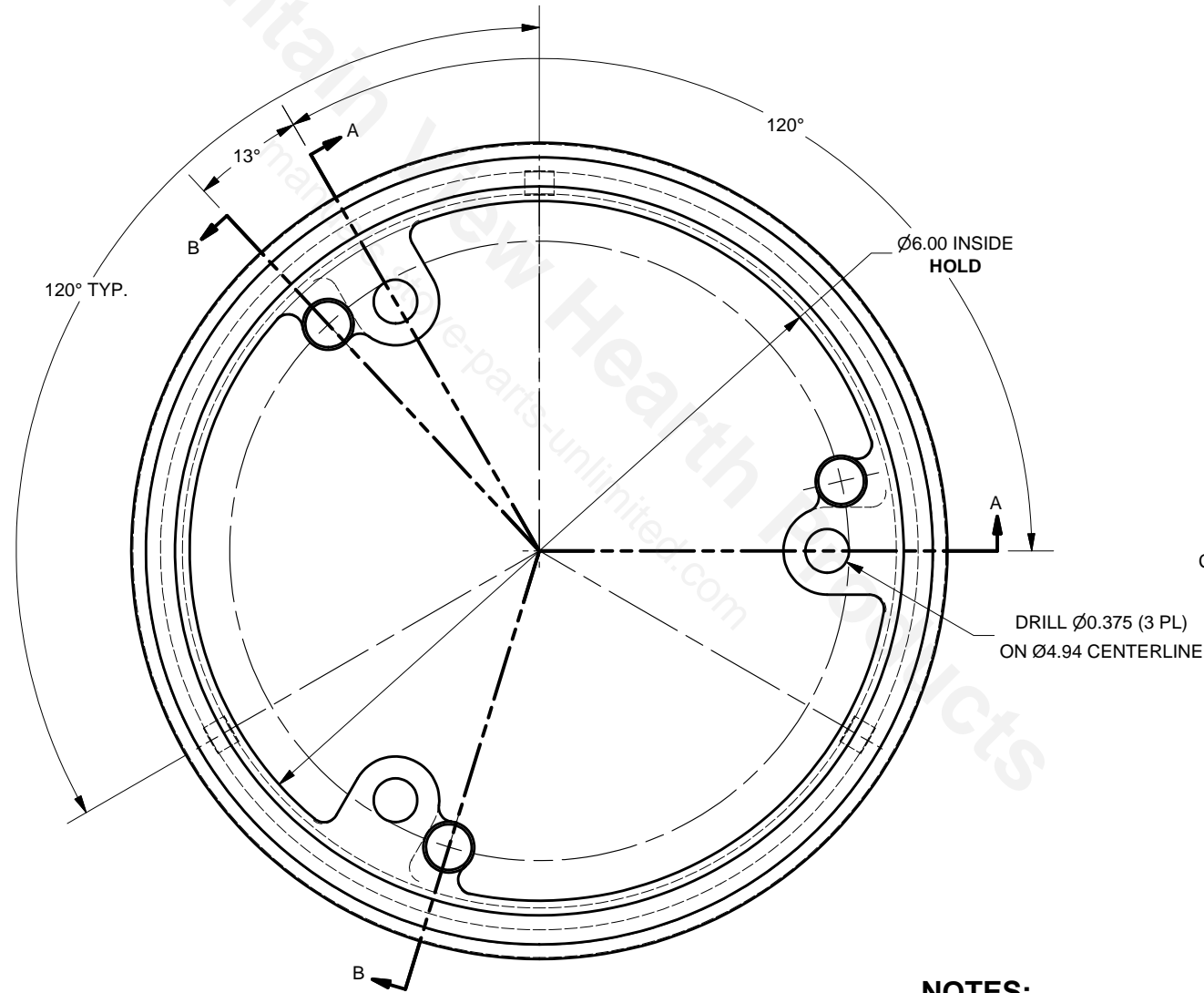
REVISION HISTORY			
REV	DESCRIPTION	DATE	BY
A	INITIAL RELEASE	8/24/00	BDA
B	ADDED 3 FLUE PIPE MOUNTING HOLES. (Ø0.25)	6/13/2011	CDB



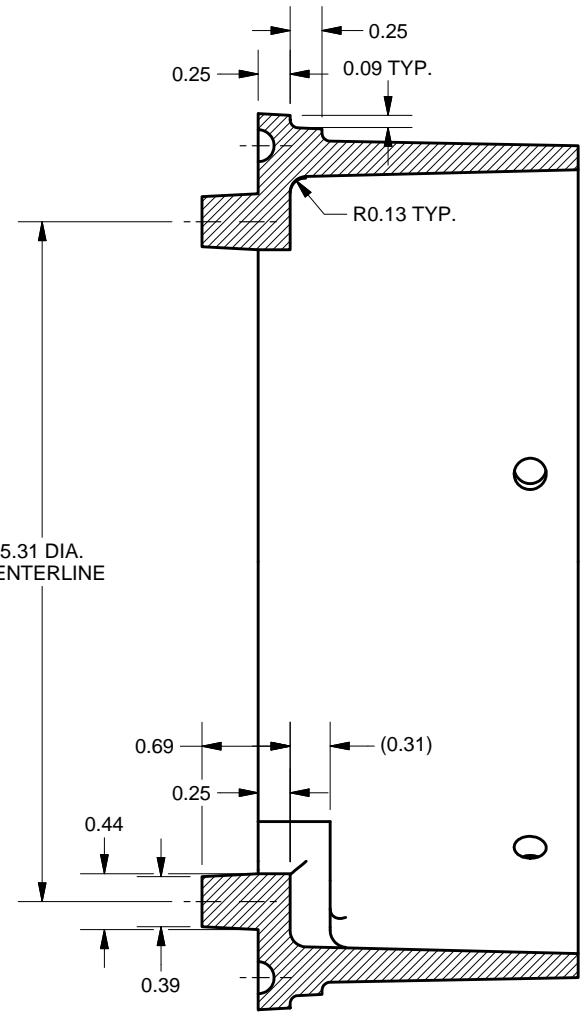
**SECTION C-C**  
SCALE 2/3



**SECTION A-A**  
SCALE 2/3



**NOTES:**  
ALL DRAFT ANGLES 3°  
FILLETS & ROUNDS R0.06



**SECTION B-B**  
SCALE 2/3

<p>© 2010 United States Stove Company ALL RIGHTS RESERVED THE DATA CONTAINED HEREIN IS PROPRIETARY TO U. S. STOVE COMPANY. THIS DATA SHALL NOT BE DUPLICATED, TRANSFERRED, MADE AVAILABLE, OR USED BY ANY THIRD PARTY FOR ANY PURPOSE EXCEPT SPECIFICALLY AUTHORIZED IN WRITING BY U. S. STOVE COMPANY.</p>	TOLERANCES	HOLES ± .005"	DESCRIPTION CAST IRON - 4.2 LBS	SCALE 2/3	SIZE B	REV B	<p><b>UNITED STATES STOVE COMPANY</b> ESTABLISHED 1869</p>	
	EXCEPT AS NOTED	DECIMAL .XX = 0.03 XXX = 0.010	FINISH	DWN BY BDA	TITLE	NUMBER		
		ANGULAR ± 2°	REFERENCE VARIES	DATE 8/24/2000	6" FLUE COLLAR			SHEET
					40292A	1 OF 1		