

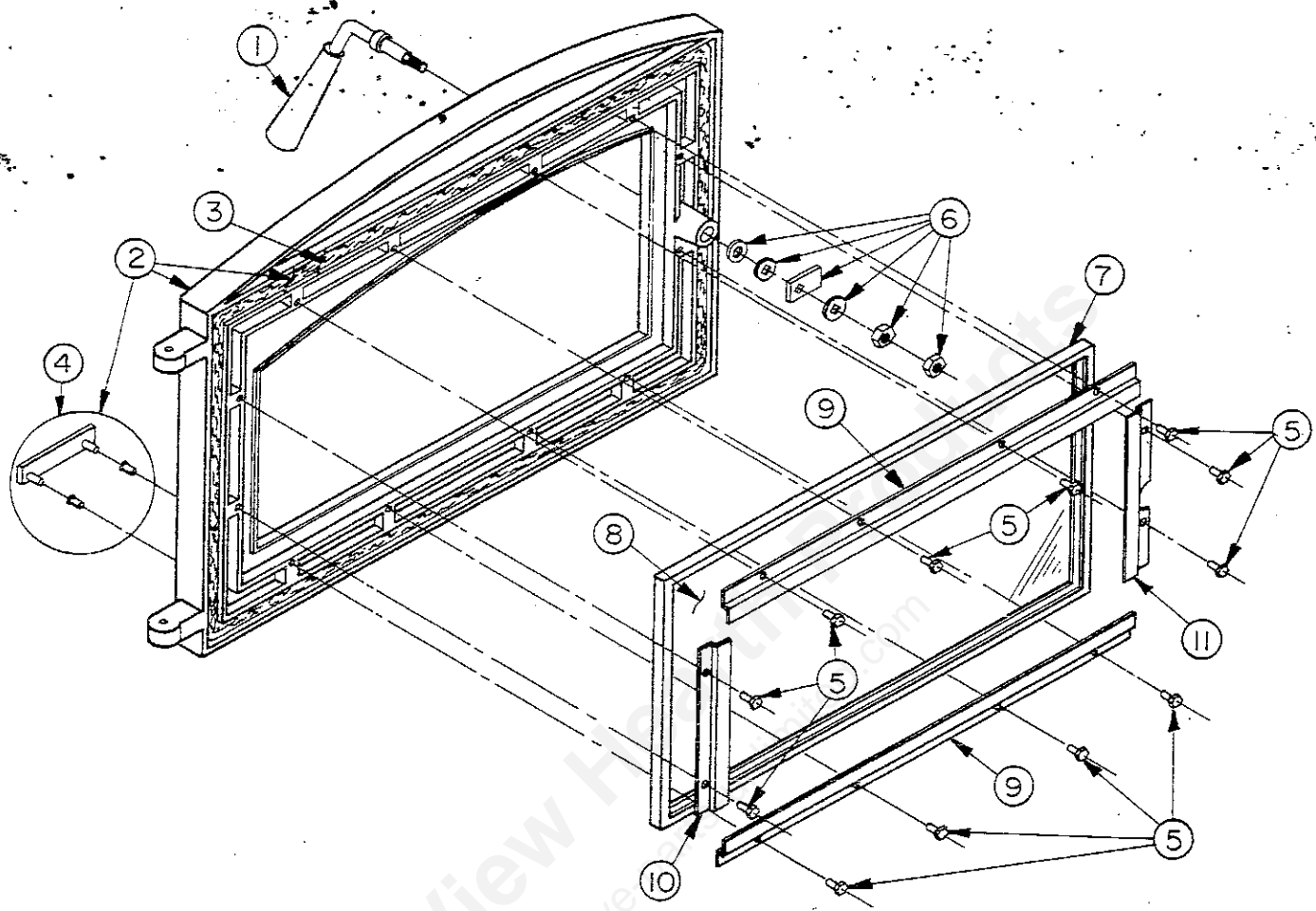
REPAIR PARTS LIST FOR FIGURE 1

KEY NO.	PART NAME	QTY. PER UNIT	AFI24 PART NO.	AFI24B PART NO.
1	Surround Right Assy.	1	048514	048520
2	Surround Top Assy.	1	048510	048516
3	Surround Left Assy.	1	048512	048518
4	Probe Thermometer	1	036049	036049
5	Wrap Combustor	1	039352	039352
6	Combustor Catalytic	2	035199	035199
7	Gasket Bypass Damper	2	040079	040079
8	Damper Bypass Drilled	2	046627	046627
9	Screw 10-24 x 3/4 Pan Mach	4	*	*
10	Rope Fiberglass Kit	2	046846	046846
11	Frame Bypass & Rope Assy.	2	046626	046626
12	Screw 5/16-18 x 3/4 Hex	10	*	*
13	Power Source Wiring Assy.	2	028107	028107
14	Rod Bypass Damper Assy.	1	047143	047143
15	Arm Bypass Damper Assy.	1	046433	046433
16	Nut 3/8-16 NC. Hex Jam	1	*	*
17	Lever Bypass Damper Ptd.	1	048672	048675
18	Handle	1	046533	046533
19	Screw 1/4-20 x 1 Pan Hd.	1	*	*
20	Support Bypass Damper Rod	1	047142	047142
21	Grate	2	035309	035309
22	Insulation Bagged Assy.	1	034690	034690
23	Cover Plate Ptd.	1	025995	027625
24	Corner Left Shroud Ptd.	1	050877	050880
25	Fastener Kit	2	048669	048669
26	Handle	1	046535	046535
27	Lever Inlet Air Ptd.	1	048670	048673
28	Damper Inlet Air Ptd.	1	048671	048674
29	Wiring Kit	1	047989	047989
30	Blower Left Assy.	1	047820	047820
31	Door (Ash) & Handle Assy. (See Fig. 3 for Components)	1	047982	047983
32	Bumper Plug	2	P6108	P6108
33	Knob & Latch Kit	1	035403	035403
34	Door Shroud Ptd.	1	048270	048275
35	Pin Hinge	2	P626	P626
36	Blower Right Assy.	1	047819	047819
37	Ash Pan	1	031181	031181
38	Speed Control Adjusted	1	047836	047836
39	Corner Right Shroud Ptd.	1	050879	050882
40	Label Speed Control	1	011655	011655
41	Knob	1	011656	011656
42	Cordset/Cover Plate Assy.	1	025994	027828
43	Pin Hinge (Brass Plated)	2	026345	026345
44	Door (Feed) & Handle Assy. (See Fig. 2 for Components)	1	037759	037760
45	Trim Cabinet Top	1	048683	048683
46	Trim Ash Lip	1	048682	048682
47	Cover Inlet Air Cont. Ptd.	1	049477	049478
48	Label Inlet Air Control	1	048640	048640
49	Flame Shield	1	048172	048172
50	Strap, Shroud Ptd	1	050884	050884

* Purchase Locally

AF124 / AF124B

**FIGURE 2
DOOR (FEED) & HANDLE ASSEMBLY**

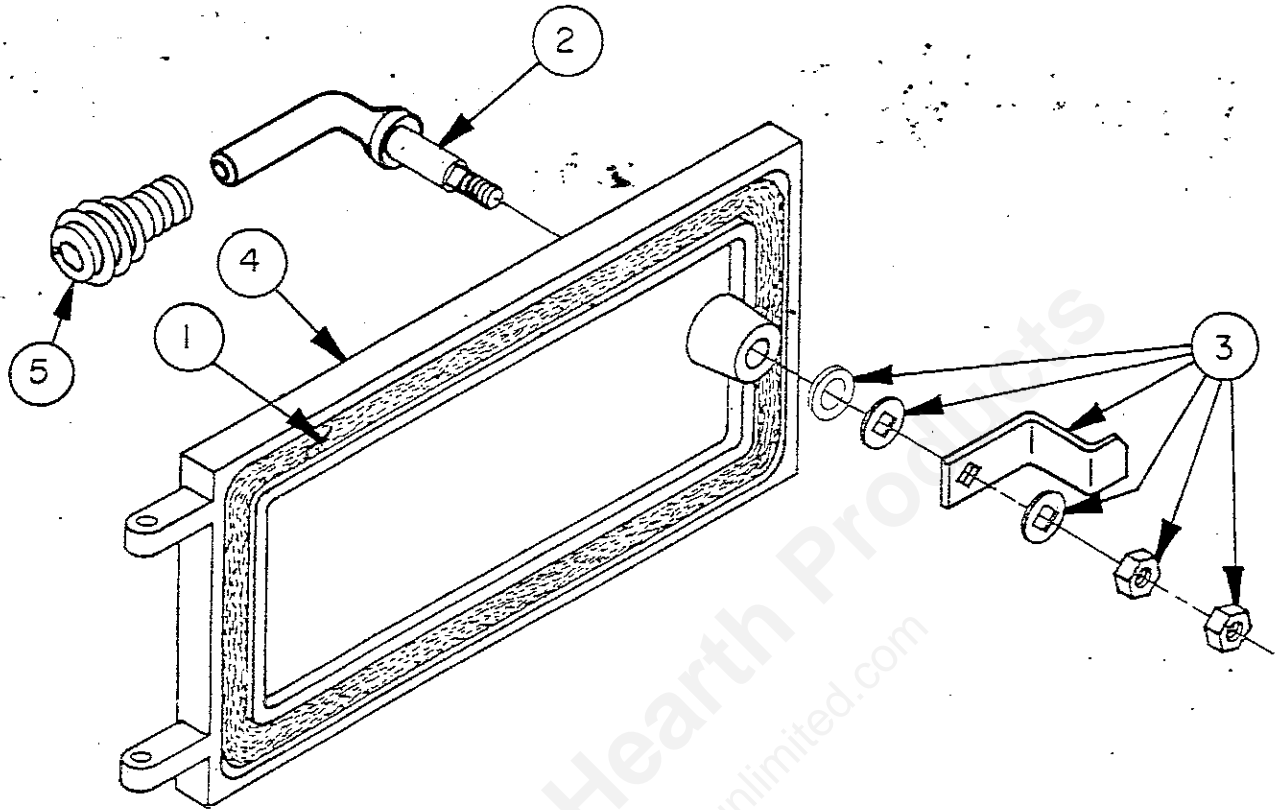


KEY NO.	PART NAME	QTY. PER UNIT	AF124 PART NO.	AF124B PART NO.
1	Handle & Bushing Assy.	1	036117	036117
2	Door Feed Brs. w/Rope Ptd.	1	026320	028426
3	Gasket 1/2 Dia. Fbrgl. Rope	1	022433	022433
4	Ashley Logo & Fasteners	1	037814	037814
5	Screw 1/4 x 1/2 Long Mach.	12	*	*
6	Latch & Latch Fasteners	1	026029	026029
7	Gasket Glass	1	037801	037801
8	Glass Ceramic	1	024320	024320
9	Retainer Glass (Top & Btm)	2	018175	018175
10	Retainer Glass (Right)	1	018177	018177
11	Retainer Glass (Left)	1	018176	018176

* Purchase Locally

AF124 | AF124B

FIGURE 3
DOOR (ASH) & HANDLE ASSEMBLY



KEY NO.	PART NAME	QTY. PER UNIT	AF124 PART NO.	AF124B PART NO.
1	Rope Fiberglass	1	012053-01	012053-01
2	Shaft Handle	1	031646	031646
3	Latch & Latch Fasteners	1	035395	035395
4	Door Ash & Rope Assy. Ptd.	1	038953	047981
5	Handle Spring	1	025322	025322

MANUFACTURED BY
THE ASHLEY HEATER COMPANY
A DIVISION OF MARTIN INDUSTRIES, INC.
FLORENCE, AL 35631