



OWNER'S MANUAL

Installation, Operation and Maintenance Instructions

CATALYTIC RADIANT WOOD BURNING HEATER MODELS APC2 & APC2C

TESTED TO UL1482 AND CERTIFIED
BY
WARNOCK HERSEY INTERNATIONAL, INC.

IMPORTANT GENERAL INFORMATION

- READ ALL INSTRUCTIONS BEFORE STARTING THE INSTALLATION.
 - FAILURE TO FOLLOW SAFETY INSTRUCTIONS MAY RESULT IN PROPERTY DAMAGE, BODILY INJURY, OR EVEN DEATH.
 - SAVE MANUAL FOR FUTURE REFERENCE.
-

TAMPER WARNING

This heater contains catalytic combustors which need periodic inspection and replacement for proper operation. It is against the law to operate this heater in a manner inconsistent with operating instructions in this manual, or if the catalytic element is deactivated or removed.

SAFETY NOTICE

If this heater is not properly installed, a house fire may result. For your safety, follow the installation directions. Contact local building or fire officials about restrictions and installation inspection requirements in your area.

This heater must be connected to a Listed High Temperature Type HT Factory-Built Residential Type and Building Heating Appliance Chimney or an approved masonry chimney with a flue liner.

MANUFACTURED BY: THE ASHLEY HEATER COMPANY
A DIVISION OF MARTIN INDUSTRIES, INC.
P.O. BOX 128
FLORENCE, AL 35631
PH NO. 205/767-0330

APC2-APC2C

SECTION 6

APC2
APC2C

WARRANTY INFORMATION, REPAIR PARTS, AND OPTIONAL ACCESSORIES

WARRANTY CLAIM INFORMATION

A catalytic combustor warranty and a heater warranty are packed with this owner's manual. For warranty claims, follow the instructions provided by each warranty.

REPAIR PARTS

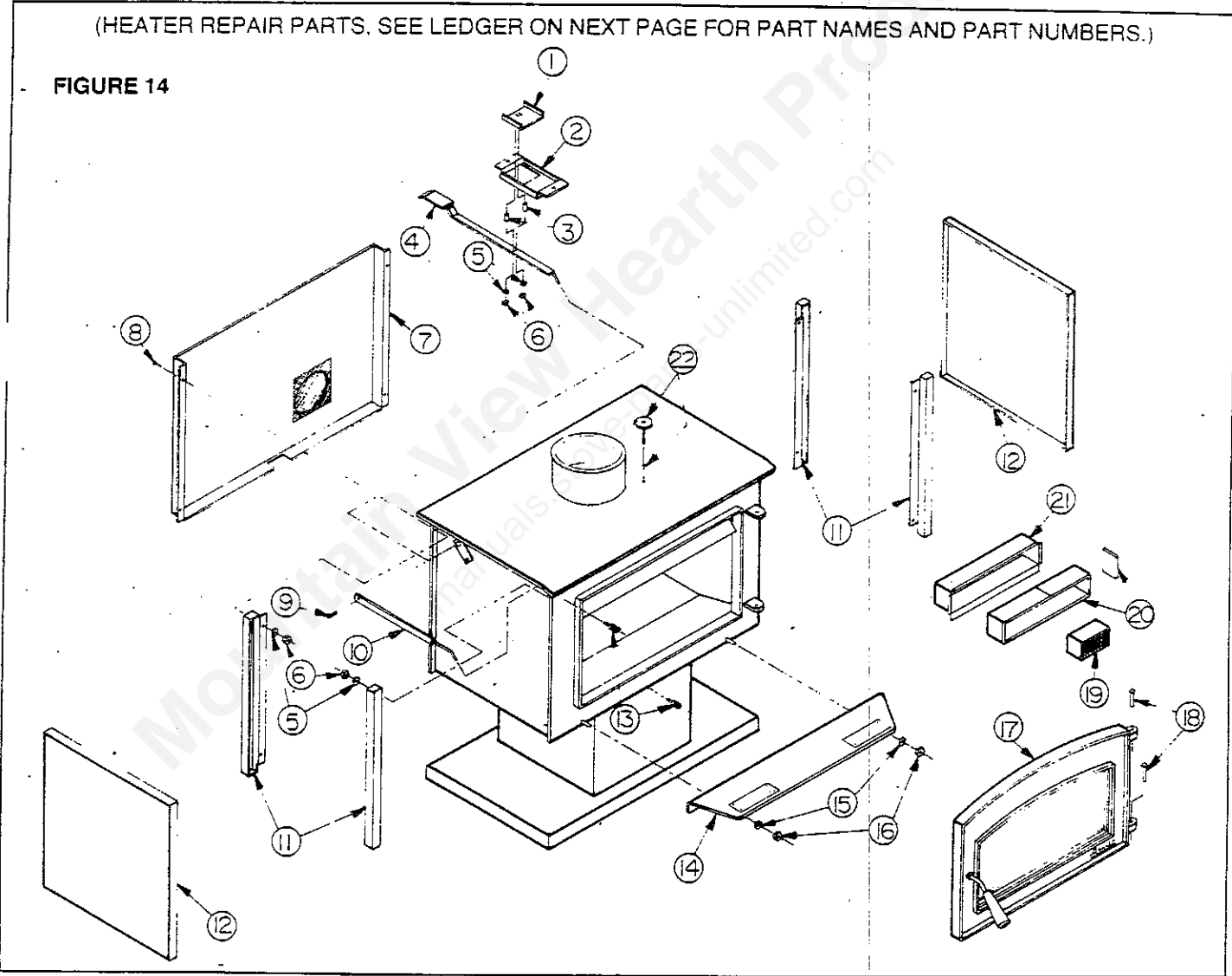
ORDER ALL REPAIR PARTS FROM YOUR ASHLEY DEALER BY SUPPLYING THE FOLLOWING INFORMATION:

- 1. PART NAME
- 2. PART NUMBER (Not Key No.)
- 3. MODEL NUMBER

SEE FIGURES 14 & 15 FOR ILLUSTRATION OF REPAIR PARTS.

(HEATER REPAIR PARTS. SEE LEDGER ON NEXT PAGE FOR PART NAMES AND PART NUMBERS.)

FIGURE 14



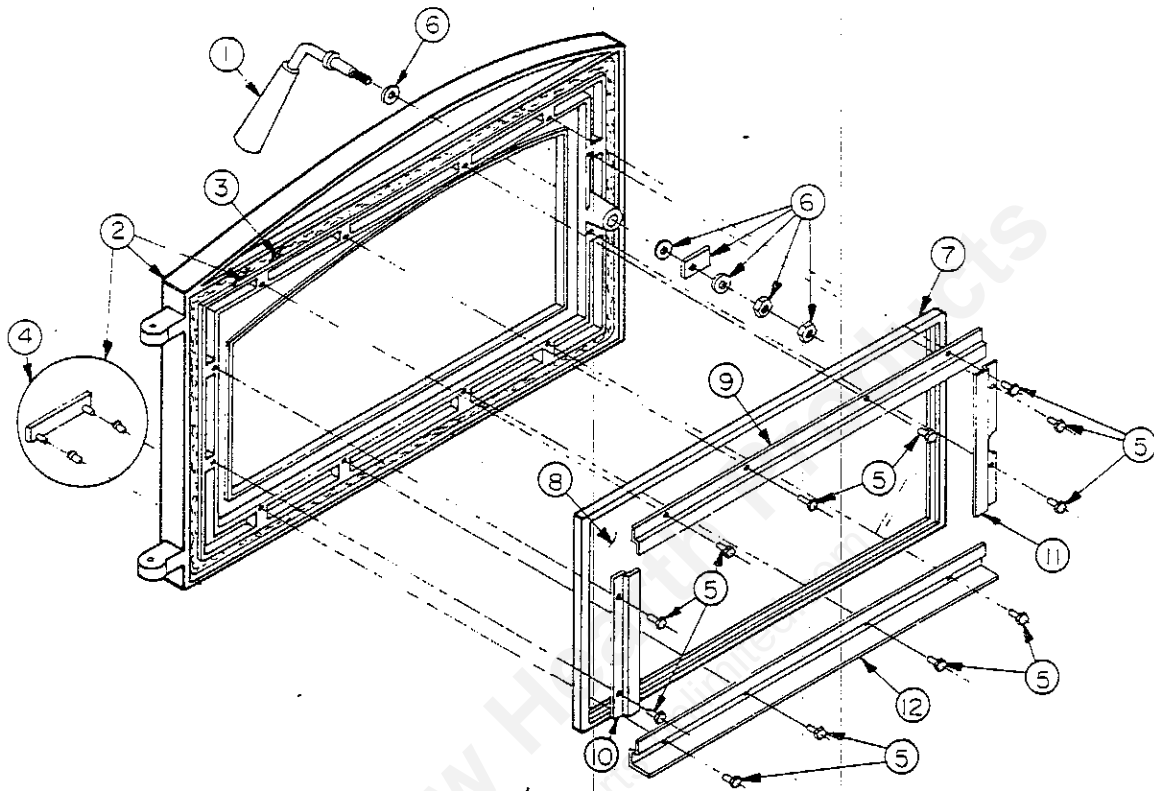
SEE FIGURE 14 FOR ILLUSTRATION OF PARTS.

KEY NO.	PART NAME	PER UNIT QTY.	APC2 PART NO.	APC2C PART NO.
1	Slide Draft Weld Assy.	1	036236	036236
2	Support Draft Slide	1	036036	036036
3	Spacer	2	P5138	P5138
4	Lever Draft Air Assy. Ptd.	1	037872-10 ^s	037868-10 ^s
5	Washer Lock Split #10 Pl.	10	*	*
6	Nut 10-24 Hex Cad.	10	*	*
7	Shield Back Radiation Assy.	1	037316-5 ^s	037311-5 ^s
8	Screw 10-24 x 3/4 Mach Pan	4	*	*
9	Screw 1/4-20 x 1/2 Mach Hex	1	*	*
10	Lever Bypass Damper Ptd.	1	037873-10 ^s	037869-10 ^s
11	Bracket Support Enameled	4	029677	025600
12	Panel Side Ptd.	2	037318	025598
13	Handle Spring	2	025516	025516
14	Lip Ash Complete	1	037874	037871
15	Washer 5/16 Lock Pl.	2	*	*
16	Nut 5/16-18 Hex	2	*	*
17	Door (Feed) & Handle Assy. (See Fig. 15 For Components)	1	037828-10 ^s	037827-10 ^s
18	Pin Hinge (Brass Plated)	2	026345	026345
19	Combustor Catalytic	3	036075	036075
20	Wrap (For 3 Combusts) Kit	1	037870	037870
21	Catalyst Can Weld Assy.	1	036067	036067
22	Probe Thermometer	1	036049	036049
**	Label Test Performance	1	037094-20 ^s	037094
**	Label Bypass Damper	1	036496	036496
	**Not Shown			

P.O.
12491
7-26-89

Mountain View Hearth Products
manuals.stove-parts-unlimited.com

FIGURE 15 (FUEL FEED DOOR REPAIR PARTS)



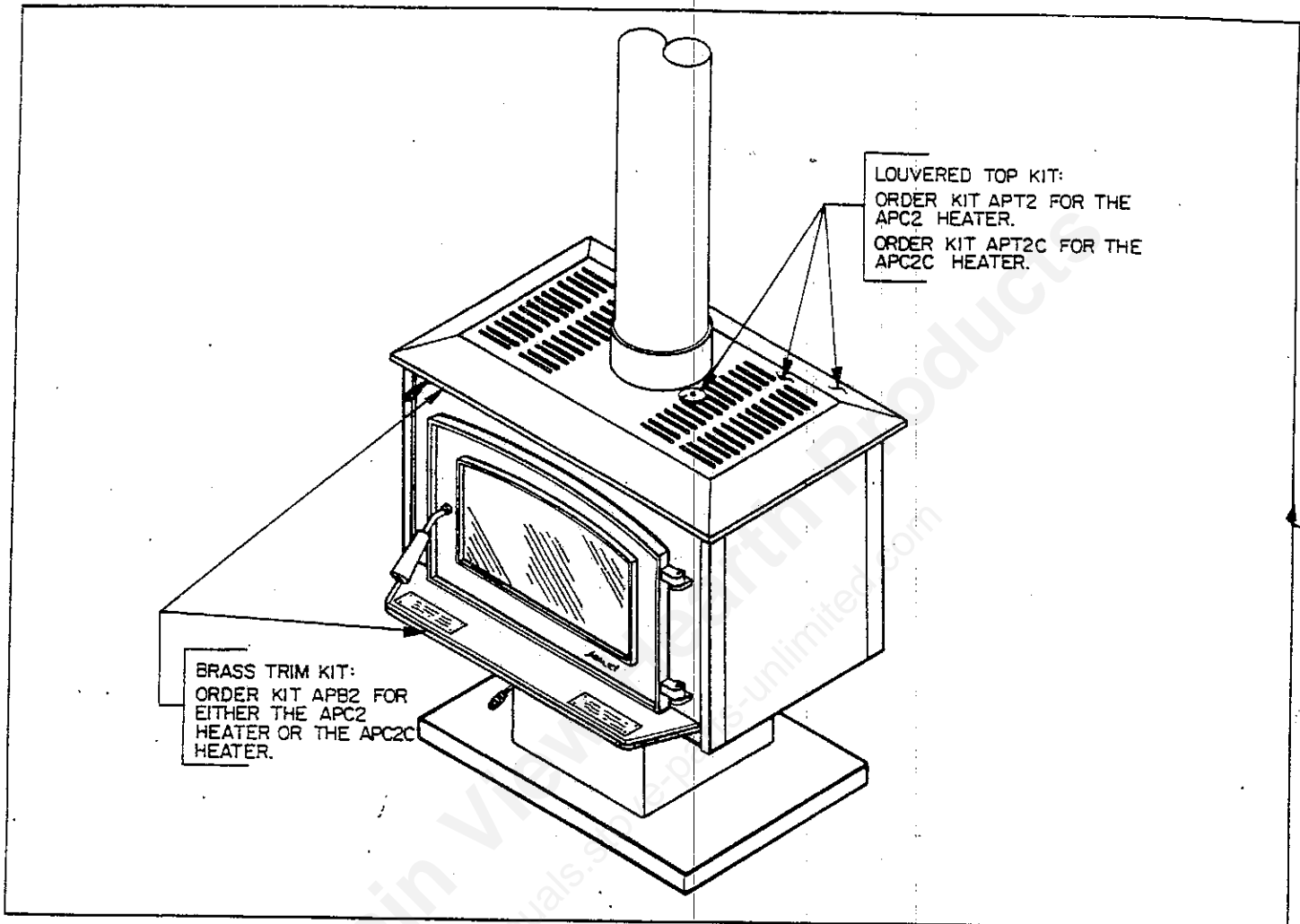
KEY NO.	PART NAME	PER UNIT QTY.	APC2 PART NO.	APC2C PART NO.
1	Handle & Bushing Assy.	1	036117	036117
2	Door Feed Brs. w/Rope Ptd.	1	028426	026320
3	Gasket 1/2 Dia Fbrgl. Rope	1	022433	022433
4	Ashley Logo & Fasteners	1	037814	037814
5	Screw 1/4 x 1/2 Long Mach	12	*	*
6	Latch & Latch Fasteners	1	026029	026029
7	Gasket Glass	1	037801	037801
8	Glass Ceramic	1	024320	024320
9	Retainer Glass (Top & Btm.)	1	018175	018175
10	Retainer Glass (Right)	1	018177	018177
11	Retainer Glass (Left)	1	018176	018176
12	Retainer Gl & Airsplash	1	036066	036066

NOTE: The Complete APC2 Fuel Feed Door Assembly May Be Ordered By Using Part Number 037828 Or Individual Components May Be Ordered As Described Above.

NOTE: The Complete APC2C Fuel Feed Door Assembly May Be Ordered By Using Part Number 037827 Or Individual Components May Be Ordered As Described Above.

OPTIONAL ACCESSORIES

In addition to the MIB1 blower mentioned earlier as an optional accessory, Figure 16 shows additional optional accessory kits which are available to enhance the appearance of your APC2 or APC2C heater. You may purchase these accessory kits from your Ashley dealer.



A FINAL WORD

While every effort has been made to make these instructions as complete and informative as possible, some installation or operating conditions may not be covered. If you have questions not answered here, please contact your Ashley dealer or your local building or fire inspector.

SAVE THIS MANUAL FOR FUTURE REFERENCE.

ASHLEY

FORM NO: 037911-0-588

APC2-APC2C

ASHLEY HEATER COMPANY
P.O. Box 128, Florence, AL 35631