

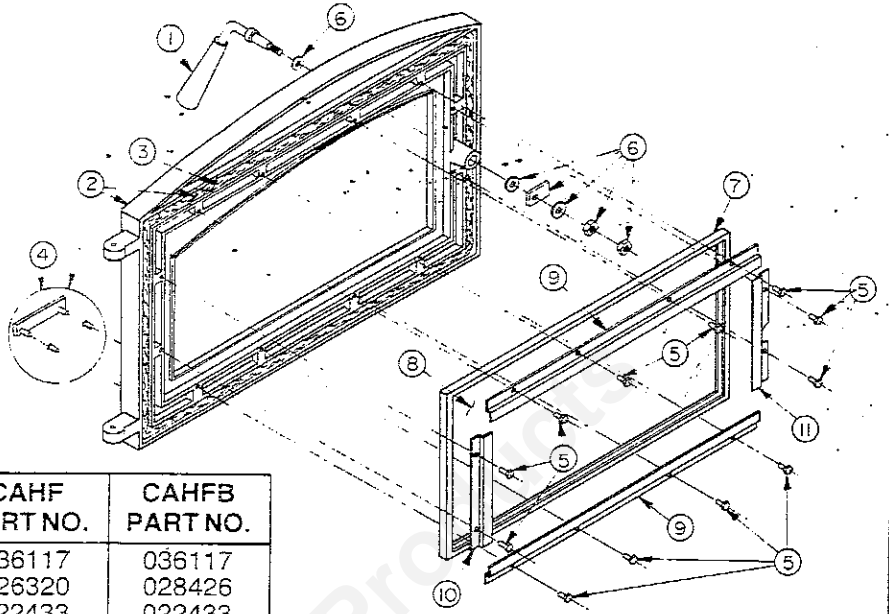
*Beauty Doesn't
Stop Here...*



ASHLEY

FIGURE 14

(FUEL FEED DOOR REPAIR PARTS)



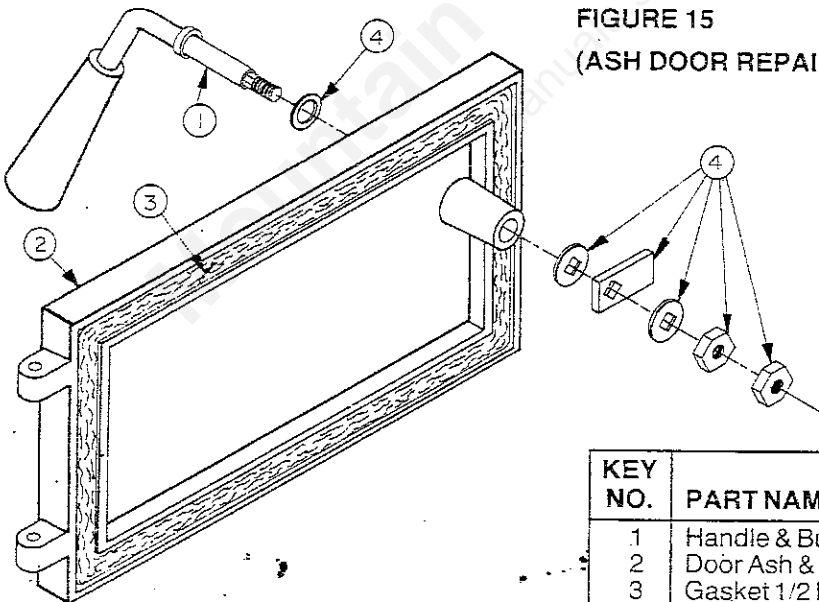
KEY NO.	PART NAME	QTY. Per Unit	CAHF PART NO.	CAHFB PART NO.
1	Handle & Bushing Assy.	1	036117	036117
2	Door Feed Brs. w/ Rope Ptd.	1	026320	028426
3	Gasket 1/2 Dia. Fbrgl Rope	1	022433	022433
4	Ashley Logo & Fasteners	1	037814	037814
5	Screw 1/4 x 1/2 Long Mach	12		
6	Latch & Latch Fasteners	1	026029	026029
7	Gasket Glass	1	037801	037801
8	Glass Ceramic	1	024320	024320
9	Retainer Glass (Top & Btm)	2	018175	018175
10	Retainer Glass (Right)	1	018177	018177
11	Retainer Glass (Left)	1	018176	018176

NOTE: The Complete CAHF Fuel Feed Door Assembly May Be Ordered By Part Number 037759 Or Individual Components May Be Ordered As Described Above.

NOTE: The Complete CAHFB Fuel Feed Door Assembly May Be Ordered By Part Number 037760 Or Individual Components May Be Ordered As Described Above.

FIGURE 15

(ASH DOOR REPAIR PARTS)



KEY NO.	PART NAME	QTY. Per Unit	CAHF PART NO.	CAHFB PART NO.
1	Handle & Bushing Assy.	1	036950	036950
2	Door Ash & Rope Assy.	1	028400	028404
3	Gasket 1/2 Dia. Fbrgl Rope	1	009535-04	009535-04
4	Latch & Latch Fasteners	1	026029	026029

NOTE: The Complete CAHF Ash Door Assembly May Be Ordered By Using Part Number 037761 Or Individual Components May Be Ordered As Described Above.

NOTE: The Complete CAHFB Ash Door Assembly May Be Ordered By Using Part Number 037762 Or Individual Components May Be Ordered As Described Above.

3. Don't use gasoline, kerosene, engine oil, charcoal lighter or other flammable liquids to start or intensify a fire. Using these and other similar materials can cause an explosion within the insert.
4. Don't store ashes in combustible containers, nor store them near combustible materials nor dispose of them until they have completely cooled.
5. Don't neglect to inspect regularly and maintain door gaskets and latching mechanism to assure the intended tightness of the fire chamber.
6. Don't subject the insert to the intense heat of a large fire the first time the insert is used, but build a moderate fire to allow the materials to cure and adjust.
7. Don't install the insert where flammable or explosive liquids or vapors are likely to be present.
8. Don't allow ashes to build up inside the insert.
9. Don't burn green or wet wood in this insert.
10. Don't burn wood that has been soaked in salt water in this insert.
11. Don't neglect to clean and inspect your chimney and the direct connect system regularly.
12. Don't burn composition logs, chemical additives, household refuse or construction scraps in your insert.
13. Don't use the insert with a broken glass door panel.
14. Don't scratch or chip the glass.
15. Don't continue to use the insert blower if the power cord is damaged or shows signs of wear.
16. Don't neglect to keep the catalytic combustors clean.

WARRANTY CLAIM INFORMATION

A catalytic combustor warranty and a heater warranty are packed with this owner's manual. For warranty claims, follow the instructions provided by each warranty.

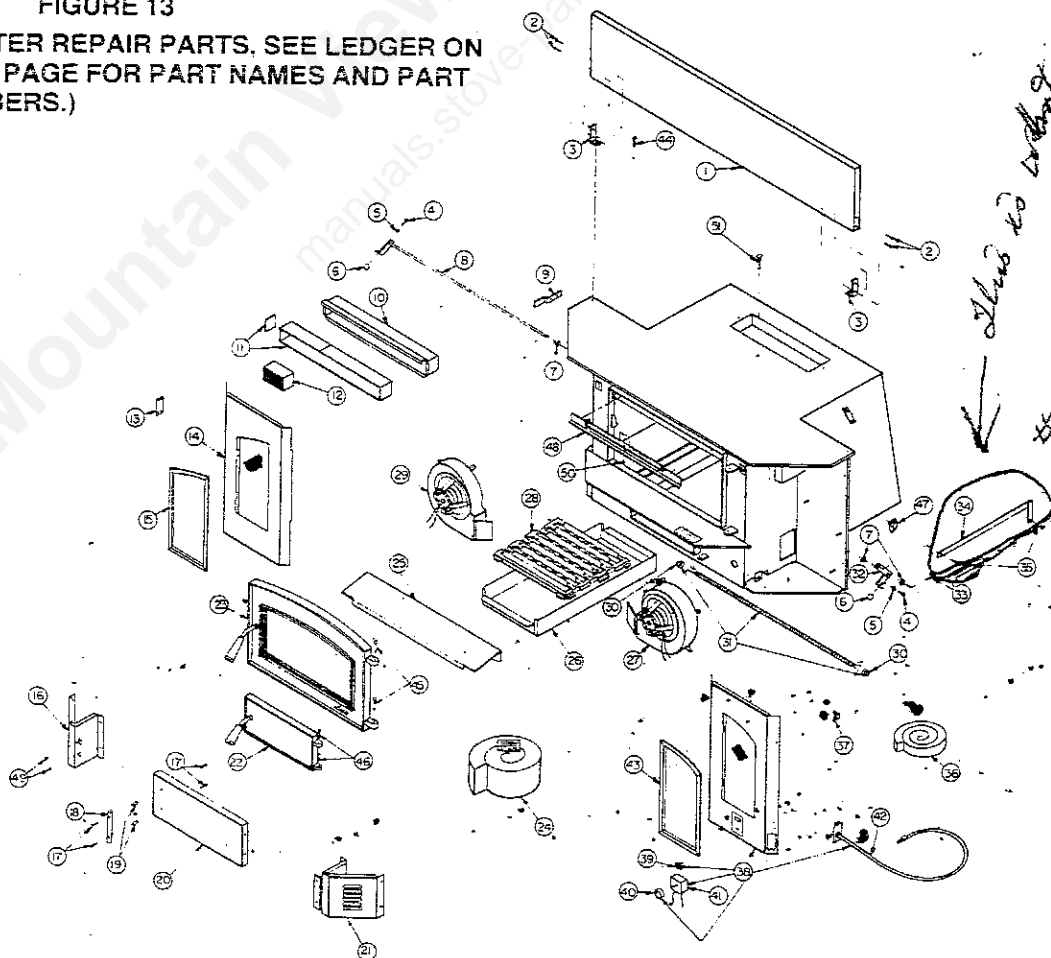
REPAIR PARTS

ORDER ALL REPAIR PARTS FROM YOUR
ASHLEY DEALER BY SUPPLYING THE
FOLLOWING INFORMATION:

1. PART NAME
2. PART NUMBER (Not Key No.)
3. MODEL NUMBER

SEE FIGURES 13, 14 & 15 FOR ILLUSTRATION OF REPAIR PARTS.

FIGURE 13
(HEATER REPAIR PARTS, SEE LEDGER ON
NEXT PAGE FOR PART NAMES AND PART
NUMBERS.)



LEDGER FOR FIGURE 13, SEE FIGURE 13 FOR ILLUSTRATION OF PARTS.

KEY NO.	PART NAME	QTY. Per Unit	CAHF PART NO.	CAHFB PART NO.
1	Top Surround	1	027841	027843
2	Bracket Surround Top	2	026975	026975
3	Screw No. 8 x 1/2 Brs. Fl Hd	4	*	*
4	Screw 10-24 x 3/8 Mach.	2	*	*
5	Washer No. 10 Lock Split	2	*	*
6	Handle 3/4 Dia. Ball	2	019848	019848
7	Washer 1/4 Plate	3	*	*
8	Damper Rod & Handle Ptd.	1	037756	037757
9	Clip Damper Tension	1	036907	036907
10	Catalyst Can Weld Assy.	1	036928	036928
11	Wrap (For 5 Combusts) Kit	1	037758	037758
12	Combustor Catalytic	5	036075	036075
13	Cover Plate Painted	1	025995	027625
14	Panel Left Side Assy.	1	037552	037568
15	Frame Left Side Panel	1	027358	027358
16	Corner Left Shroud Ptd.	1	037560	037571
17	Screw No. 8-32 x 3/8 Ph Black	4	*	*
18	Handle Door	1	TG10718	TG10718
19	Standoff Handle	2	TG10857	TG10857
20	Door Shroud Ptd.	1	037562	037573
21	Corner Right Shroud Ptd.	1	037561	037572
22	Door (Ash) & Handle Assy.	1	037761	037762
	(See Figure 15 for Components)			
23	Door (Feed) & Handle Assy.	1	037759	037760
	(See Figure 14 for Components)			
24	Insulation Bagged Assy.	1	034690	034690
25	Retainer Ash Ptd.	1	028637	028638
26	Pan Ash Assy.	1	011777	011777
27	Blower Right Assy.	1	030426	030426
28	Grate	2	009133	009133
29	Blower Left Assy.	1	030425	030425
30	Connector Conduit	2	008611	008611
31	Harness Assy.	1	030709	030709
32	Handle Bypass Damper Ptd.	1	037763	037764
33	Key Cotter 1/16 Dia. x 3/4	1	*	*
34	Rod Bypass Damper Assy. Pt.	1	037765	037766
35	Screw 1/4 - 20 x 1/2 Mach	2	*	*
36	Insulatin 1 - 1/2 x 2 x 72	1	027588	027588
37	Fasteners Side Panel Kit	1	029236	029236
38	Panel Right Side Assy.	1	037553	037569
39	Switch Rocker	1	015426	015426
40	Speed Control Assy.	1	030417	030417
41	Knob	1	011656	011656
42	Cordset / Cover Plate Assy.	1	025994	027828
43	Frame Right Side Panel	1	027359	027359
44	Screw 1/4 x 1/2 Long Mach	14	*	*
45	Pin Hinge (Brass Plated)	2	026345	026345
46	Pin Hinge	2	027830	027830
47	Control Fan Thermostat	1	027124	027124
48	Damper Inlet Air Assy.	1	036963	036963
49	Bumper Plug	2	P6108	P6108
50	Screw 8-32 x 1/4 Pan Hd	1	037566	037566
51	Pin 2 - 1/2" Long Knurled	1	038157	038157
	* Purchase Locally			