

## OPERATING INSTRUCTIONS AND PARTS LIST

For

# FRANKLIN HEATER

— MODEL NUMBER —

**26**

Manufactured by

United States Stove Company - South Pittsburg, Tennessee

### OPERATING INSTRUCTIONS

#### CAUTION...

Do not install the Franklin heater against combustible walls or allow flues to touch or be near inflammable surfaces. Installation should conform to Underwriters' Laboratories requirements for solid fuel heaters. Also check with local authorities to conform to any particular code which applies.

#### TO PREPARE YOUR HEATER FOR USE...

1. Uncrate the heater and remove wire or strapping which holds doors in closed position. You will find decorative knobs inside, along with legs. Use package of nuts and bolts to attach legs and knobs.
2. If you ordered accessory grate basket, place in position on main bottom.

#### OPTIONAL TOP OR REAR FLUE OUTLET...

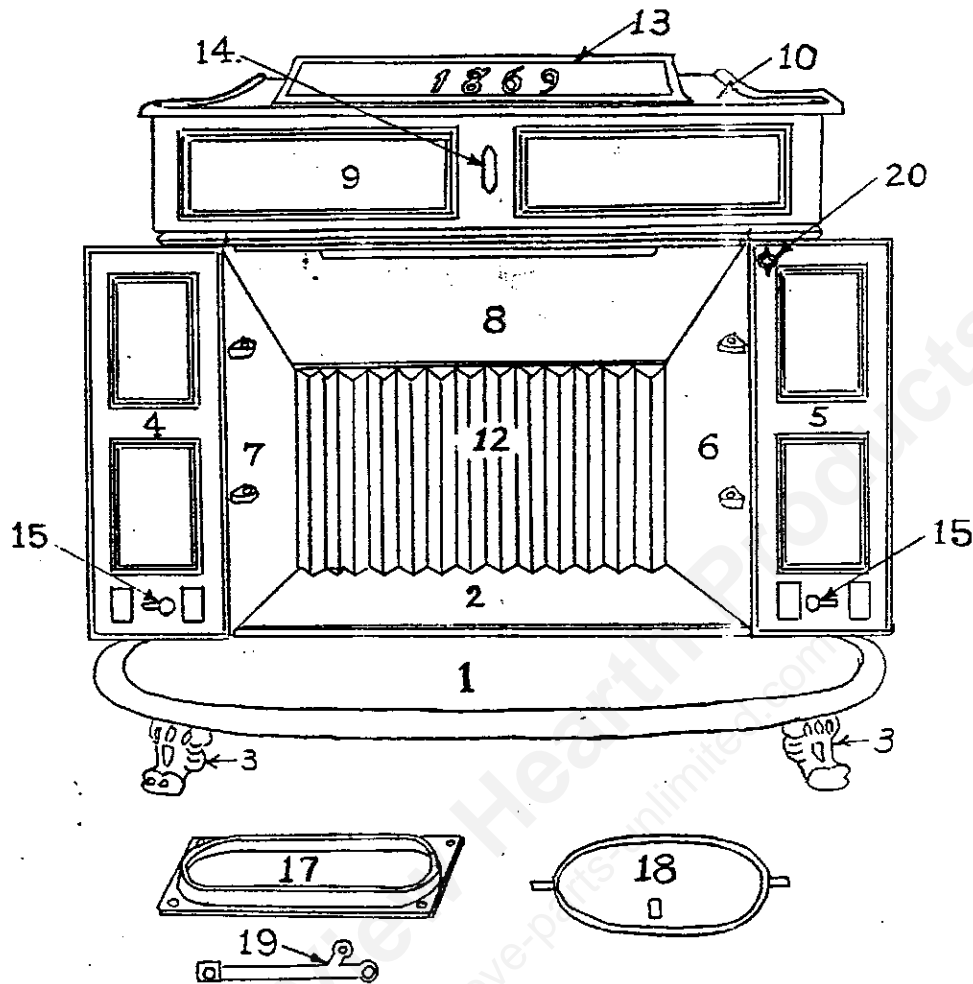
**Top:** Your heater has been shipped for top flue connection. A 10 inch diameter pipe is necessary to connect by compressing to oval shape to fit collar (Key No. 17). 10 inch pipe will be available locally from sheet metal shop or tinsmith. This pipe size may be connected to 8 inch round pipe by using a reducer at the top of the first joint of outlet pipe, or by using a tapered, reducing joint. If your stove was ordered with cast iron reducing boot, you can connect directly to top of boot with 8 inch round pipe.

**Rear:** If you desire to discharge combustion products to the rear, remove cover, flue (Key No. 11) from rear of heater, and remove collar (Key No. 17) and damper (Key No. 18) from top of heater after disconnecting damper from damper arm (Key No. 19). Exchange places with these assemblies, re-connecting damper to damper arm through the bottom hole in damper arm instead of the top hole, where damper was originally connected.

#### OPTIONAL INSTALLATION, RECESSED IN MASONRY...

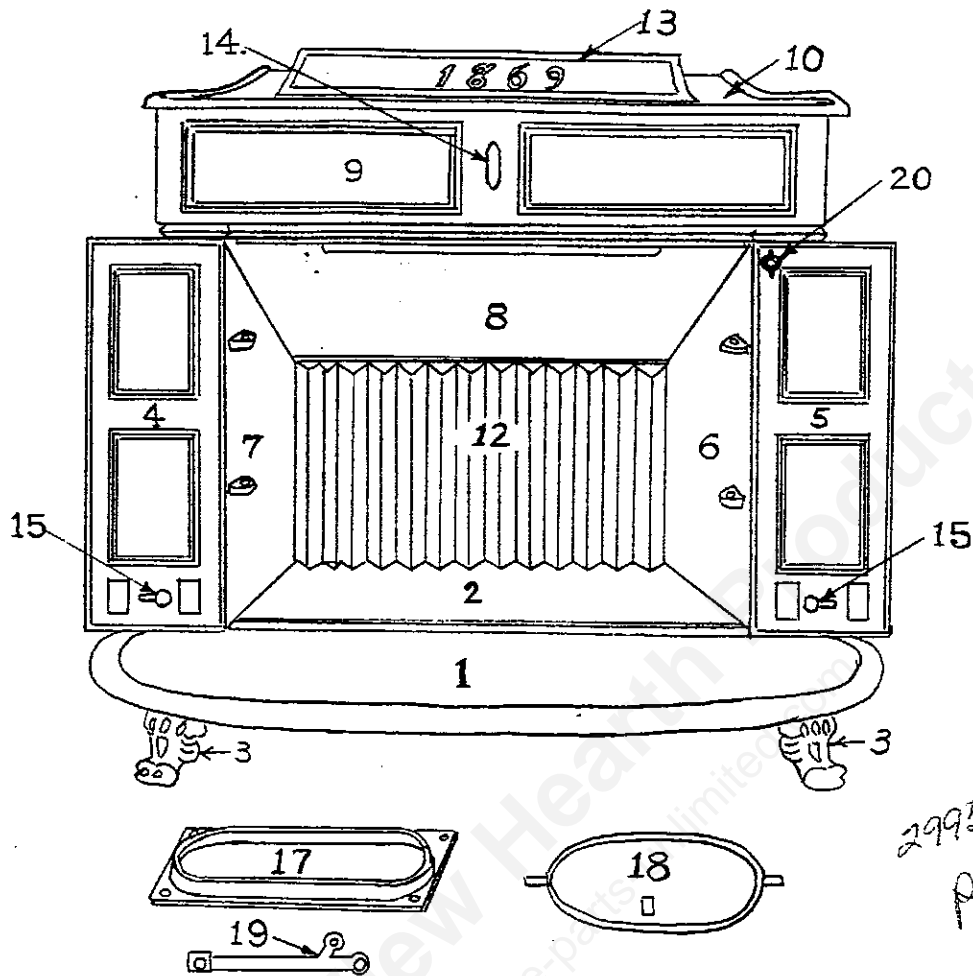
Remove legs (or do not install), and use heater as received with top outlet unless your installation requires conversion to rear outlet. Fireplace or masonry opening must be at least 30 inches wide, 27 inches high, and 13 inches deep. If you already have a chimney with a good draft, and unrestricted passage from the outlet collar, it is not necessary to connect heater to outlet pipe.

All side flanges of heater permit it to be mounted flush against the rear of front surface, and bottom will sit flat against a level concrete or masonry hearth. Be sure to grout or otherwise seal all openings between heater and fireplace, or smoking can result, especially when flue pipe is not used.



### PARTS LIST

Key No.	Part No.	Name of Part	Key No.	Part No.	Name of Part
1	4164	Hearth	14	4163	Knob, Damper Control
2	4138	Bottom	15	4147	Knob, Draft Slide (2 required)
3	4149	Leg (3 required)	17	4139	Collar, Flue 5 00
4	4160	Door, Left Center	18	4145	Damper
5	4158	Door, Right Center	19	4136	Arm, Damper Control
6	4153	Side, Right	20	4146	Catch, Door (3 required)
7	4154	Side, Left	*	4165	Column, Right Side
8	2990	Baffle	*	4166	Column, Left Side
9	4161	Front, Upper	*	4157	Door, Right Outer
10	4168	Top, Main	*	4159	Door, Left Outer
*	2994	Cover, Flue	*	4167	Draft, Slide (2 required)
12	4137	Back, Main	*		Parts Not Illustrated
13	4169	Plaque, Ornamental			



PARTS LIST

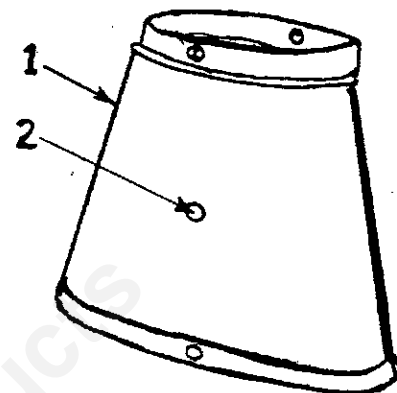
Key No.	Part No.	Name of Part	Key No.	Part No.	Name of Part
1	3024 4164	Hearth	14	3030-4163	Knob, Damper Control
2	3005 4138	Bottom	15	2999 4147	Knob, Draft Slide (2 required)
3	3006 4149	Leg (3 required)	17	2995 4139	Collar, Flue 5 00
4	3025 4160	Door, Left Center	18	2996 4145	Damper
5	3026 4158	Door, Right Center	19	3002 4134	Arm, Damper Control
6	2988 4153	Side, Right	20	3000 4144	Catch, Door (3 required)
7	2989 4154	Side, Left	*	3032 4165	Column, Right Side
8	2990	Baffle	*	3033 4166	Column, Left Side
9	3027 4161	Front, Upper	*	3034 4157	Door, Right Outer
10	3028 4168	Top, Main	*	3035 4159	Door, Left Outer
*	2994	Cover, Flue	*	3031 4167	Draft, Slide (2 required)
12	2993 4137	Back, Main	*		Parts Not Illustrated
13	3029 4169	Plaque, Ornamental			

2995 for 268  
per. John  
try it if it works  
6-5-84

## ACCESSORIES FOR FRANKLIN HEATER

### FLUE REDUCER (Assembled)

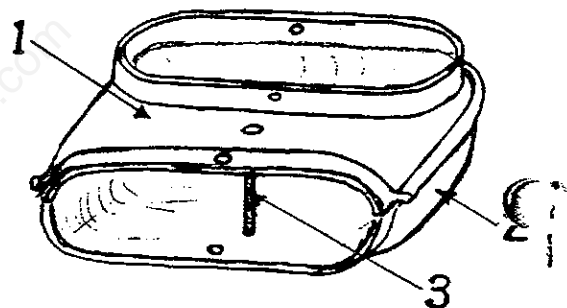
For use when 8 inch diameter smokepipe is desired. Connect directly to top of heater for vertical outlet, to rear for horizontal outlet, or use with cast iron elbow below for 8 inch outlet from either connection.



Key No.	Part No.	Name of Part
1	3008	Section, reducer half (2 required)
2	3009	Rod, Flue Reducer

### CAST IRON ELBOW (Assembled)

For use with 10 inch diameter smokepipe. Connect heater to horizontal outlet from top or vertical outlet from back. Flue reducer above will work with this assembly to give 8 inch outlet when desired.

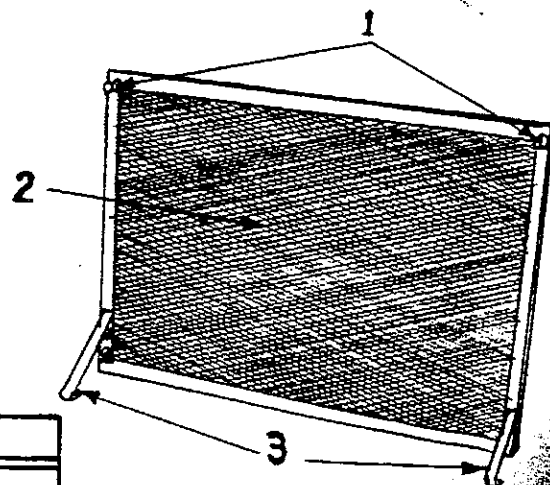


Key No.	Part No.	Name of Part
1	3010	Section, Top Elbow
2	3011	Section, Bottom Elbow
3	3022	Rod, Elbow

### FIREPLACE SCREEN

Screen is packaged in corrugated container, along with necessary screws and nuts for final assembly. Attach knobs (Key No. 1 in illustration), then, using 2 bolts and nuts for each, attach screen support legs as shown.

When doors of Franklin heater are open, screen fits into opening, with flange at rear of bottom edge engaged over rear rib of hearth to give a recessed fitting means which leaves no openings to fire except through holes in screen. Screen will stand by itself when removed and placed on level surface.

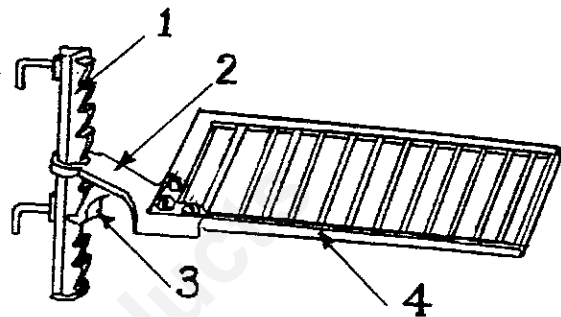


Key No.	Part No.	Name of Part
1	1001	Knob (2 required)
2	3020	Screen and Frame
3	3021	Leg, Screen Support (2 required)

## ACCESSORIES FOR FRANKLIN HEATER

### BARBECUE GRILL, CAST IRON

**Assembly:** Shipped with keys 2, 3, and 4 already assembled. After unpacking from carton, place rod hooks of key 1 into holes located inside of left side of heater (Key No. 7 in heater parts diagram). Turn key 1 facing you and place grill assembly in place as illustrated in this diagram. Assembly must go into place over top of key 1. Height of grill may be adjusted to desired level by tilting assembly slightly up from right corner and locating key 3 in proper position on one of the several ledges in key 1. Grill may be kept level at all times by loosening screw in key 2 and moving key 3 to allow grill to be level. Tighten screw securely.



**Use:** It is very convenient to place meat or other foods on top of grill when it is swung out over hearth of heater. Use asbestos glove or other heat resistant material to adjust grill level at any time during cooking. Do not leave grill in heater except when cooking. Grill support (key 1) may be left in position if desired, but prolonged intense heat can lead to short life of grill assembly.

**Care:** Wash grill assembly or brush to keep clean. Cast iron will withstand any reasonable household cleaning method and almost any cleaning material.

Key No.	Part No.	Name of Part
1	3016	Support, Grill Assembly
2	3017	Arm, Grill Assembly
3	3018	Leg, Grill Adjusting
4	3019	Grill

### SMOKEPIPE AND ELBOWS, SHEET STEEL (Not illustrated)

These parts are individually packaged, 24 gauge steel, with flat black finish compatible with heater. Pipe is lock-joint, for easy assembly of smoketight seam.

Part No.	Name of Part
3012	Pipe, 10 inch diameter, 24 in. length
3013	Pipe, 8 inch diameter, 24 in. length
3014	Steel Elbow, 10 inch diameter, adjustable
3015	Steel Elbow, 8 inch diameter, adjustable