

OWNERS

MANUAL

AIB3624A

Mountain View Hearth Products
manuals.stove-parts-unlimited.com

The fireplace and chimney for this insert must comply with the standards of the National Fire Protection Association as indicated in the first section of this manual. Either obtain a copy of this standard and inspect your fireplace or have it inspected by a qualified person before installing the insert. **DO NOT** install the insert in a fireplace with an unlined chimney. The chimney must be lined and constructed of solid masonry not less than four inches thick or rubble stone masonry not less than twelve inches thick.

To comply with N.F.P.A. standards, the floor must be protected by a noncombustible floor covering extending at least 16 inches in front of the face of the insert and 15 inches to each side of the insert. If the fireplace hearth does not provide this protection, the floor must be protected by 3/8 inch thick non-combustible inorganic millboard having a thermal conductivity of $k = 0.84$ BTU in/ft² Hr./° or a UL listed floor protector.

See figure 7 for hearth requirements and clearances to combustibles.

HOW THIS FIREPLACE INSERT OPERATES

This fireplace insert draws combustion air through the adjustable combustion air spinners in the doors. The air flows across the bed of fuel causing the fire to progress through the fuel bed.

The rate at which the fire burns can be controlled by the adjustable spinners when the doors are closed or by a built-in damper when the doors are open.

Heat from the fire is transferred to the air chamber between the firebox and the outer cabinet. This heat is transferred to the room by air blown through the air chamber by the blower mounted on the lower front of the insert. Additional heat is radiated to the room from the face of the feed doors.

A selector switch allows either manual or automatic operation of the blower. With the switch in the manual setting the blower will run continuously. In the automatic setting the blower runs only when there is sufficient heat available to justify blower operation.

In addition, a speed selector switch allows the speed of the blower to be adjusted to provide the air flow desired.

The blower is equipped with a three prong grounding plug and cord. **DO NOT REMOVE THE GROUNDING PRONG FROM THE PLUG.** The blower should be plugged into a 120 volt, 60 Hz, 15 amp properly fused and grounded receptacle. **ALWAYS ROUTE THE POWER CORD AWAY FROM THE FIREPLACE** to avoid damage to the cord from heat or dropped objects. The cord may be disconnected from the left end of the blower and attached to the right end of the blower if this will allow better routing of the cord. The procedure for relocating the cord is described in Step 16 of the "Installation Procedures" section of this manual.

TOOLS AND SUPPLIES NEEDED FOR INSTALLATION

Screw driver (straight blade medium size)
Pliers
Rule or measuring tape (24 inch minimum)
Pencil or chalk
Rag or paper towels

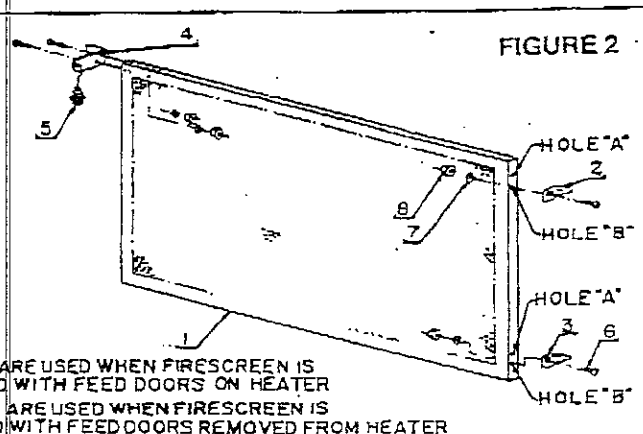
UNPACKING, INSPECTION AND ASSEMBLY

Remove the insert from the packaging materials and inspect it for external damage or missing parts. Use figure 11 for locating and identifying the major components. Check the gaskets around the doors to assure they are in place. Check the operation of the damper. Place the blower switch in the manual position, the speed control to the highest setting, and plug the blower into a properly fused and grounded receptacle and check the operation of the blower.

If any damage or missing parts are detected or the blower fails to operate properly, report this to the dealer from whom you purchased the insert and get this deficiency corrected before proceeding with the installation. Replace parts with manufacturers specified parts.

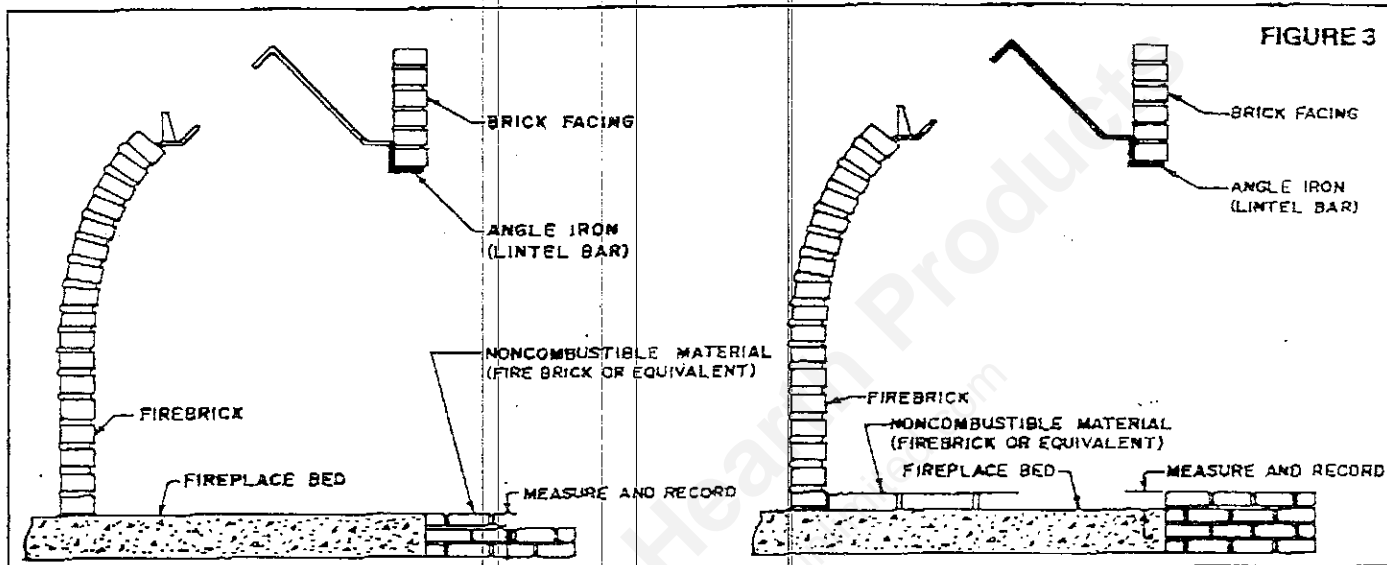
The firescreen may be assembled to be used either with the feed doors opened fully or removed from the unit. Figure 2 describes how to assemble the screen for the function desired.

KEY PART NO.	PART NAME	PART NO.
1	Firescreen	016532
2	Top Hinge	012634
3	Bottom Hinge	012632
4	Latch	016530
5	Handle	016699
6	Screw, 8-32 x 1/2 (4 Req'd.)	012494
7	Lockwasher No. 8 (4 Req'd.)	016527
8	Nut No. 8-32 (4 Req'd.)	016528
	Firescreen Package	016535

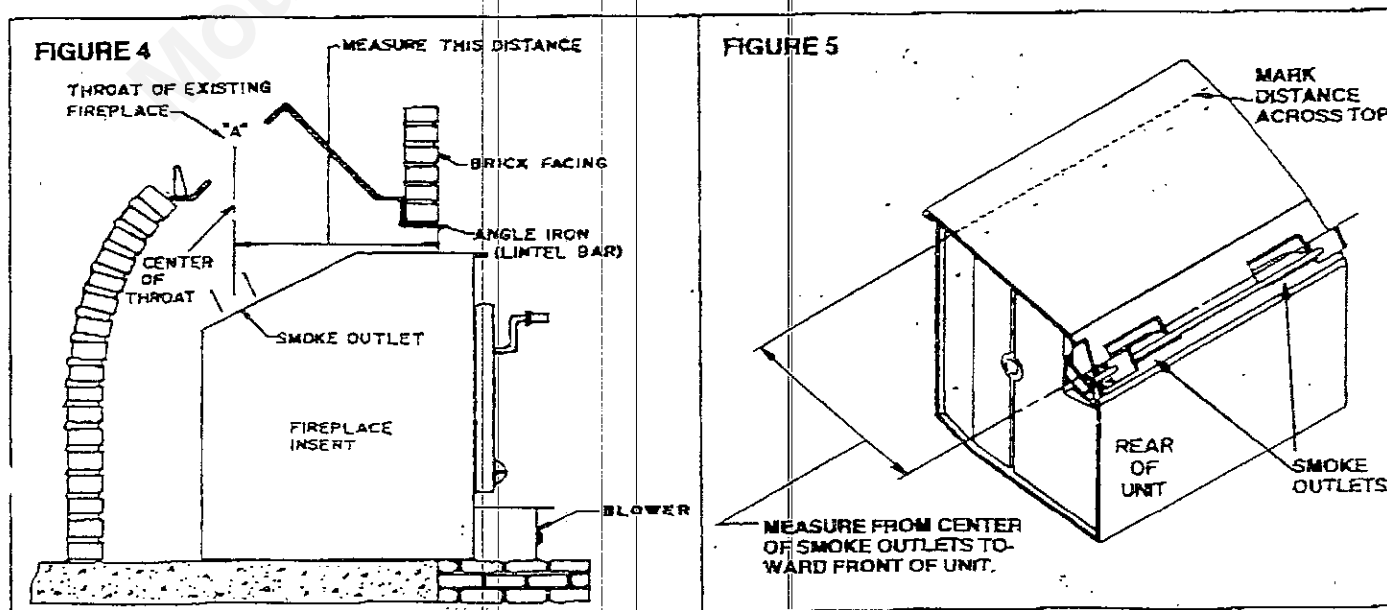


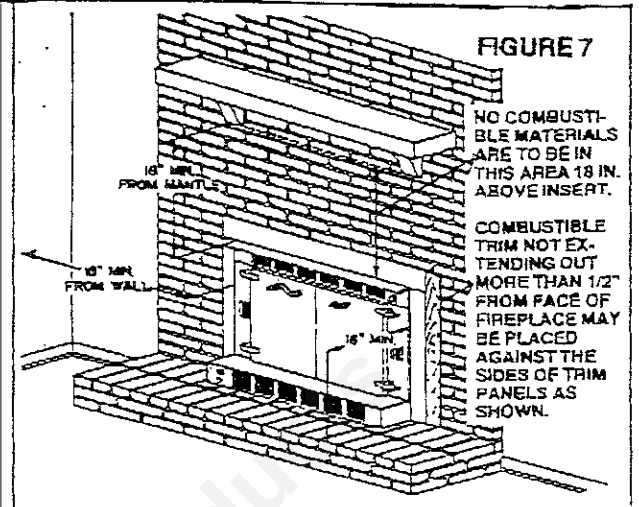
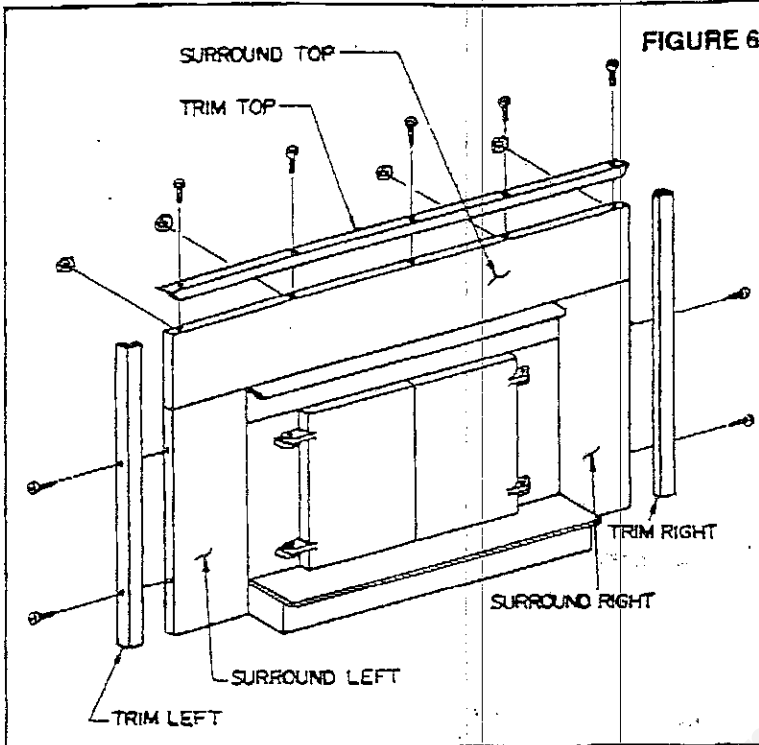
INSTALLATION PROCEDURES

1. Clean the fireplace and chimney of all soot or creosote accumulations.
2. Inspect the fireplace and chimney for proper construction and to be sure they are free of cracks, loose mortar, or other signs of deterioration. If evidence of improper construction or deterioration is noted, the fireplace insert should not be installed until corrections or repairs to the fireplace have been made.
3. Remove the fireplace damper or block it in the open position to prevent it from being accidentally closed.
4. If the fireplace is equipped with an ash dump seal it closed with furnace cement or mortar.
5. Check the height of the fireplace bed and hearth. If the bed and hearth are not level build the lower surface up as shown by Figure 3.



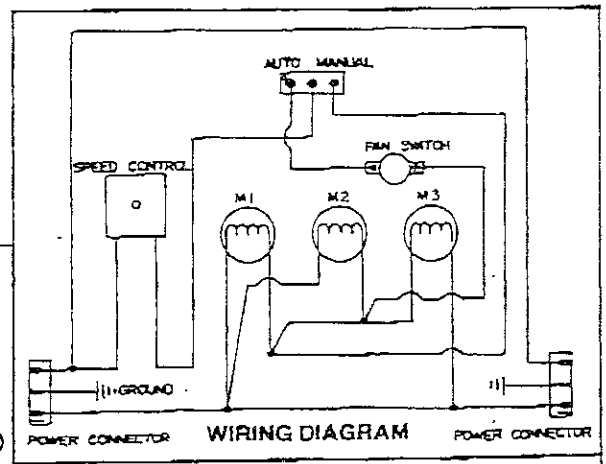
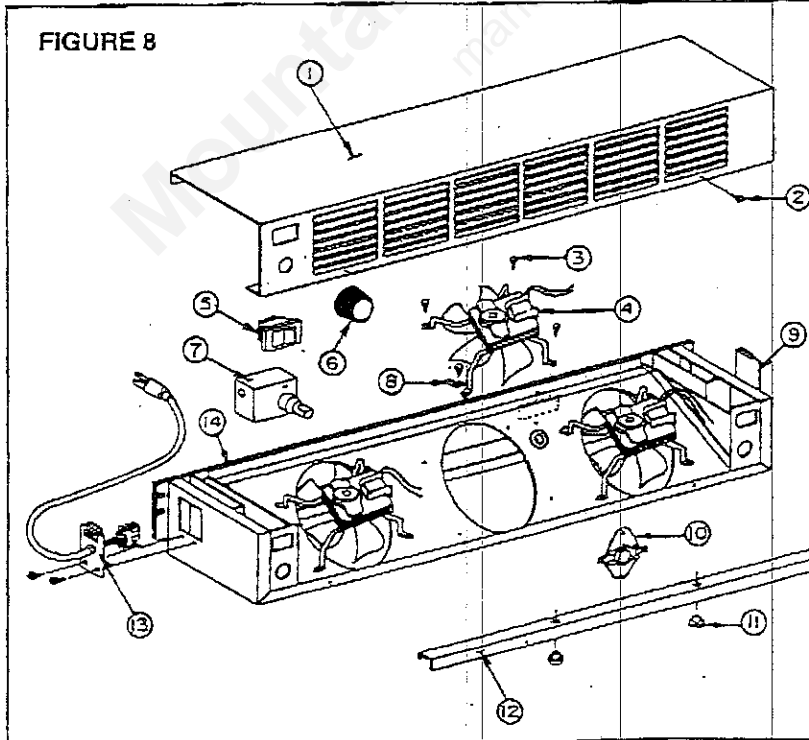
6. Determine the distance from the face of the fireplace to the center of the fireplace throat as shown by Figure 4.
7. Mark a light line with chalk or pencil along the top and sides of the insert as shown by Figure 5. This line should be located from the center of the smoke exits a distance equal to the distance determined by Step 6.
NOTE: Proper performance of Step 6 and 7 will locate the smoke exits of the insert beneath the throat of the fireplace. Unless the insert is properly located, the flow of smoke from the insert may be restricted.
8. Attach the surround panels to the insert by aligning the slots in the panels with the predrilled holes in the insert and loosely applying the screws provided.
9. Fasten the top panel to each of the side panels.
10. Position the surround assembly so that the face of the panels are along the line marked by Step 7 and tighten the screws that secure the surround to the insert.
NOTE: If the adjusting slots in the surround are not of sufficient length, place the surround as near the line as the slot length will allow.





FITS OPENING	Model TK3040B 30" H., 40" W.	Model TK3648B 36" H., 48" W.
Surround Top	020137	0201501
Surround Left	020141	020158
Surround Right	020145	020154
Trim Top	018665	018664
Trim Left	018667	018668
Trim Right	018670	018672

- Mount the brass side pieces first by aligning the holes in the trim and surround and attaching the trim with 4 of the sheet metal screws provided. (See figure 6.)
- Place the top piece on top of the surround and attach in place with the remaining sheet metal screw and the 4 machine screws and nuts.
- Remove the insert doors to reduce the weight of the unit by opening each door and lifting it upward.
- Be careful to avoid scratching the fireplace hearth and position the insert so that the surround fits snugly against the face of the fireplace.
- Check and be sure the clearances between the insert and combustible materials are not less than specified by Figure 7.
- Route the power supply cord for the blower away from the insert and plug it into a properly grounded and fused receptacle. If a more appropriate location of the cord can be achieved by attach-



KEY PART NO.	NAME	PART NO.
1	Wrap Case Painted	015444
2	Screw No. 8 x 1/4 Sheet Metal	-
3	Screw No. 8 x 1/2 Sheet Metal	-
4	Motor & Fan Assembly	012079
5	Switch	015426
6	Knob	011656
7	Speed Control Switch	015569
8	Raceway Clip	012003
9	Cover Plate Painted	015446
10	Fan Switch	009818
11	Bushing	011055
12	Raceway	016437
13	Cord Set/Cover Plate Assy.	016186
14	Insulation	012121
	Blower Assy.	016255
	* Purchase Locally	

By mixing softwoods with hardwoods, you can achieve an easily ignited and long-lasting fire.

To get an idea of how firewood is described and sold, you should first know that the most common measure is the standard cord. A cord is a tightly stacked pile of logs 4 feet by 4 feet by 8 feet.

Wood is also sold by the ton. A ton of air-dry, dense hardwood (oak, hickory, maple, etc.) is equal to approximately one-half cord.

If you buy wood by weight, look for the driest wood. Don't pay for extra water!

Small twigs and branches found in your yard and wood wastes found around sawmills are also good.

When you buy wood, request a mixture of wood species and diameter sizes.

The wood should be generally sound, but don't worry about small pockets of rotten wood that you may find in logs.

Green wood yields 10% to 44% less heat value than air-dried wood because of its higher moisture content. It also increases the probability of a creosote problem. Wood that is split and then stored (semi-covered) should air dry for at least six months before using.

HOW MUCH HEAT VALUE IS THERE IN EACH TYPE OF AIR DRIED WOOD?

THIS CHART SHOWS HEAT VALUE PER CORD OF AIR-DRIED WOOD ONLY!

Type	Average Weight Per Cord	BTU Heat Value In Air-Dried Cord	Order of Most Heat Per Cord				
Ash	2,950 lbs.	22,600,000	11 th	Hickory	3,595 lbs.	30,600,000	1 st
Aspen	1,900 lbs.	17,700,000	15 th	Maple (Hard)	3,075 lbs.	29,000,000	2 nd
Basswood	1,900 lbs.	17,001,000	16 th	Maple (Soft)	2,500 lbs.	24,000,000	9 th
Beech	3,240 lbs.	27,800,000	3 rd	Oak (Red)	3,240 lbs.	26,300,000	5 th
Birch (yellow)	3,000 lbs.	26,200,000	6 th	Oak (White)	3,750 lbs.	27,700,000	4 th
Cherry	2,550 lbs.	23,500,000	10 th	Pine (White)	1,800 lbs.	17,900,000	14 th
Elm	2,750 lbs.	24,500,000	7 th	Spruce	2,100 lbs.	18,100,000	12 th
Hemlock	2,100 lbs.	17,910,000	13 th	Tamarach	2,500 lbs.	24,010,000	8 th

INSERT AND CHIMNEY MAINTENANCE

Disposal of Ashes

Ashes should not be allowed to accumulate to the point that they obstruct the airflow through the fuel bed. If this occurs, poor burning of the fuel is likely and the grate basket will be overheated and its lifespan shortened.

Wear gloves to protect your hands from hot surfaces and use a suitable ash shovel to remove the ashes. Ashes should be placed in a metal container with a tight fitting lid. The closed container of ashes should be placed on a noncombustible floor or on the ground, well away from all combustible materials pending final disposal. If the ashes are disposed of by burial in soil or otherwise locally dispersed, they should be retained in the closed container until all cinders have thoroughly cooled.

CREOSOTE - Formation and Need for Removal

When wood is burned slowly, it produces tar and other organic vapors, which combine with expelled moisture to form creosote. The creosote vapors condense in the relatively cool chimney flue of a slow burning fire. As a result, creosote residue accumulates on the flue lining. When ignited, this creosote makes an extremely hot fire.

The chimney should be inspected at least once every two months during the heating season to determine if a creosote buildup has occurred.

If creosote has accumulated it should be removed to reduce the risk of a chimney fire.

A chimney fire is usually indicated by a roaring noise within the chimney. Well developed chimney fires will emit ash and sparks from the top of the chimney.

If a chimney fire occurs, diminish the fire in the insert by closing the spinners. Call the fire department and protect the roof by wetting it with a garden hose or buckets of water. After the chimney fire is over, thoroughly inspect all combustible materials around the chimney that might have been ignited by the intense heat. The chimney should then be inspected for any damage and repairs made if necessary.

Although a properly constructed chimney should not be damaged by a chimney fire, these fires can be prevented by:

1. Burning well seasoned wood. Green or wet wood increases the chances of creosote forming.
2. Not burning small smoldering fires for long periods of time. Small smoldering fires tend to allow the chimney to stay relatively cool, increasing the chances of creosote forming.
3. Cleaning and inspecting the chimney regularly.
4. Reducing the rate at which fuel is added to the insert on warmer days.

Chimney Maintenance

The chimney should be inspected at least twice monthly during the heating season to determine if a creosote buildup has occurred. If creosote has accumulated, it should be removed to reduce the risk of a chimney fire. The chimney inspection should also include a check for cracked liners or any other signs of deterioration.

There are special brushes available for chimney cleaning and many areas have professional chimney cleaning services. Most fire departments will make free chimney inspections and can provide help in locating chimney services.

YOU SHOULD ALWAYS CLEAN AND INSPECT YOUR CHIMNEY BEFORE EACH HEATING SEASON.

The insert should be pulled forward from the fireplace sufficiently to allow thorough cleaning of the fireplace and chimney.

Insert Maintenance

The painted surfaces of the insert may be wiped free of dust with a soft cloth. The use of any other cleaning method may damage or remove the paint. A high temperature paint available at your local hardware dealer can be used to touch up the insert. Check the door latching mechanism and gaskets regularly and make adjustments as required to maintain the tightness of the doors.

The blower should be vacuumed or blown free of all lint, dust and ashes frequently. The motors are permanently lubricated and do not require oiling. The electrical cord should be inspected frequently and replaced if evidence of wear or damage is observed. Replace the cord only with the cord specified in the repair parts section of this manual.

Do not allow the insert to sit for long periods with ashes in it. Ashes combined with moisture in the air can be corrosive to the metal.

Any other servicing should be performed by an authorized service representative.

FINAL CHECKLIST OF DO'S AND DON'TS**DO:**

1. Do read and follow the installation, operation and maintenance manual carefully.
2. Do install a smoke detector in an area that will give warning in the unlikely event that a fire develops in the area of the insert or the insert malfunctions.
3. Do be sure that there is a fire extinguisher of the proper type and in good working order accessible in the unlikely event that a fire develops near the insert or the insert malfunctions.
4. Do check with local building officials to be sure the installation of the insert complies with all building codes and requirements and obtain required building permits.
5. Do plan your installation with safety as your primary consideration.
6. Do keep all flammable liquids, gases and pressurized containers away from the insert.
7. Do complete the installation before attempting to use the insert.
8. Do use only the prescribed materials and parts for the installation of the insert.
9. Do instruct all responsible persons in the proper and safe operation of the insert.
10. Do use only undamaged parts and accessories.
11. Do inspect and clean the fireplace chimney regularly.
12. Do refrain from using the insert as an incinerator for paper, cardboard and other debris.
13. Do keep the firescreen closed when the insert is used with the doors open to minimize the danger of sparks popping out of the insert.
14. Do instruct all persons, especially children and elderly persons, of the hazards involved with the insert and improper and unauthorized tampering with the insert.
15. Do check the insert for proper adjustment and operation before leaving it unattended for long periods of time.
16. Do start a fire only with paper, kindling or solid composition fire starters specifically designed for starting a fire. The use of liquid fire starters can cause an explosion within the insert.
17. Do use only a properly constructed and maintained masonry chimney to vent this insert.
18. Do place all ashes in a metal container with a tight fitting lid and place them on a noncombustible surface well away from other combustible materials until they have completely cooled.
19. Do check the door latching mechanisms and gaskets regularly and replace parts or make adjustments as needed to maintain the intended tightness of the fire chamber.
20. Do observe all instructions regarding clearance between the insert and combustibles.
21. Do store your wood supply at least 36 inches from the insert.
22. Do build fires of moderate intensity in the appliance for the first three fires to allow the materials to adjust and cure before being subjected to the intense heat of a large fire.
23. Do be sure the insert is located in an area where combustible vapors are not present.
24. Do use a chimney for this insert that is not used by another appliance.
25. Do remove the ashes from the insert regularly.
26. Do open the combustion air spinners and allow the insert to burn for approximately 15 minutes after fresh fuel is added before restricting the combustion air.
27. Do burn only dry, seasoned wood.
28. Do protect your hands with noncombustible gloves or a pot lifter when adjusting the combustion air spinners.

DON'TS:

1. Don't dry clothing or other articles on or near the insert.
2. Don't take for granted that the insert is adjusted properly and is operating properly before leaving it unattended for long periods of time.
3. Don't use gasoline, kerosene, engine oil, charcoal lighter or other flammable liquids to start or intensify a fire. Using these and other similar materials can cause an explosion within the insert.
4. Don't store ashes in combustible containers, store them near combustible materials or dispose of them until they have completely cooled.

5. Don't neglect to inspect regularly and maintain door gaskets and latching mechanisms to assure the intended tightness of the fire chamber.
6. Don't subject the insert to the intense heat of a large fire the first three times the insert is used, but build moderate fires to allow the materials to cure and adjust.
7. Don't install the insert where flammable or explosive liquids or vapors are likely to be present.
8. Don't allow ashes to build up inside the insert.
9. Don't burn green or wet wood in this insert.
10. Don't burn wood that has been soaked in salt water in this insert.
11. Don't neglect to clean and inspect your chimney regularly.
12. Don't operate the insert with the doors open without a firescreen.
13. Don't burn composition logs, chemical additives, household refuse or construction scraps in your insert.

"SAVE THESE INSTRUCTIONS"

CORRECTION OF OPERATION PROBLEMS

Symptom:

Fire rate will not increase when spinner opening is increased.

Smoke smell in living space.

Smoke visibly leaking from insert.

Check for:

1. Insufficient draft in chimney due to:
 - A. Improper construction.
 - B. Crack in chimney liner or fireplace wall.
 - C. Air leaks around ash pit door or insert trim panels.
 - D. Blockage of chimney by creosote, bird nest or other debris.
 - E. Chimney liner too small restricting smoke passage.
 - F. Chimney liner too large allowing cold air to enter flue at top.
 - G. Chimney too short.
 - H. Chimney draft affected by wind turbulence from nearby trees, roof structure, etc.
 - I. Insert improperly positioned in fireplace restricting smoke outlets in rear of insert.
2. Creosote accumulation on feed doors continuing to smoke after doors are opened. Correct by cleaning doors or reduce creosote formation by changing operating procedures.
3. Damper in closed position when doors are closed or as doors are opened.
4. Excessive creosote formation causing liquid creosote to leak from joints of chimney or fireplace.
5. Unprotected chimney allowing rain water mixed with soot or creosote to collect around insert.
6. Negative pressures created within the house by kitchen or bathroom exhaust fans, improperly ducted heating or air conditioning systems, or other chimneys pulling smoke or odorous air down the chimney.

Symptom: (one or more)

Blower will not run (one or more motors)

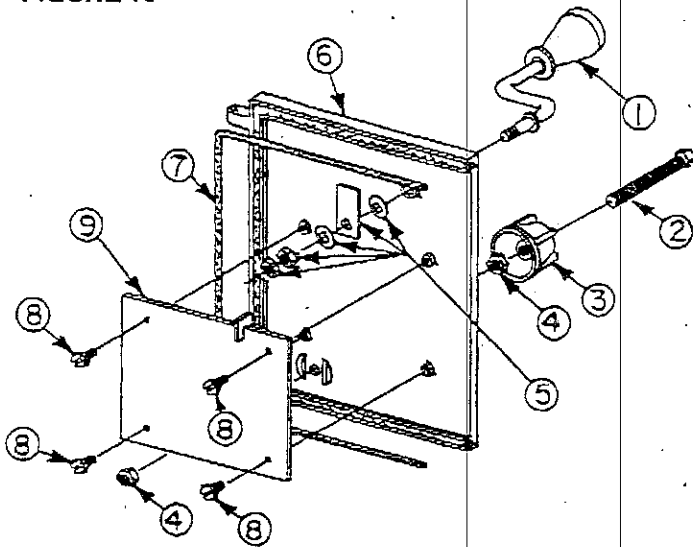
Blower requires excessively long time to come on automatically after fire is started.

Blower runs slowly or air flow is low.

Check for: (Caution: Unplug blower before servicing.)

1. Proper voltage at electrical outlet serving blower.
2. Proper mounting of the blower to the insert providing contact between automatic fan switch and face of insert.
3. Excessive lint or dust in blower.
4. Defective blower motors.
5. Defective or damaged electrical cord.
6. Excessive ash buildup in firebox insulating front of firebox and automatic fan switch.

FIGURE 10

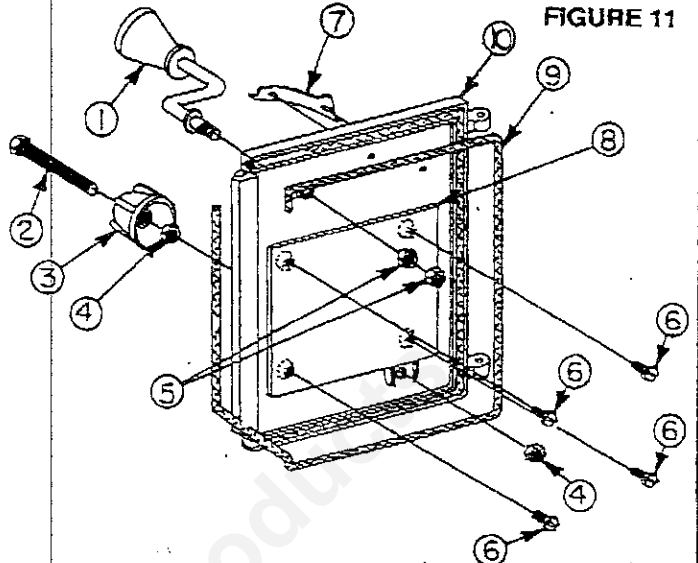


ORDER ALL REPAIR PARTS FROM YOUR ASHLEY DEALER BY SUPPLYING THE FOLLOWING INFORMATION:

1. Part Name 2. Part No. (Not Key No.) 3. Model No.

KEY PART NO.	PART NAME	PART NO.	QTY. Per Ill.
1	Handle Assy.	018318	1
2	Bolt, 1/2 - 13 UNC X 3 HEX HD	010419	1
3	Spinner Painted	013952	1
4	Nut 1/2 - 13 UNC HEX	-	2
5	Latch & Latch Fasteners	020054	1
6	Door, R. Feed & Rope Assy.	020110	1
7	Rope, 1/2 DIA. Fiberglass	018880	1
8	Screw 1/4 x 1/2 Type 23	-	4
9	Shield, Radn & Stop Assy.	015818	1
* Purchase Locally			

FIGURE 11



ORDER ALL REPAIR PARTS FROM YOUR ASHLEY DEALER BY SUPPLYING THE FOLLOWING INFORMATION:

1. Part Name 2. Part No. (Not Key No.) 3. Model No.

KEY PART NO.	PART NAME	PART NO.	QTY. Per Ill.
1	Handle Assy.	018318	1
2	Bolt, 1/2 - 13 UNC X 3 HEX HD	010419	1
3	Spinner Painted	013952	1
4	Nut 1/2 - 13 UNC HEX	-	2
5	Nut 3/8 - L6NC HEX Jam	-	2
6	Screw 1/4 x 1/2 Type 23	-	4
7	Logo, Ashley	015307	1
8	Shield, Door Radiation	016147	1
9	Rope, 1/2 DIA. Fiberglass	018878	1
10	Door, L. Feed & Rope Assy.	020109	1
* Purchase Locally			

ORDER ALL REPAIR PARTS FROM YOUR ASHLEY DEALER BY SUPPLYING THE FOLLOWING INFORMATION:

1. Part Name
2. Part No. (Not Key No.)
3. Model No.

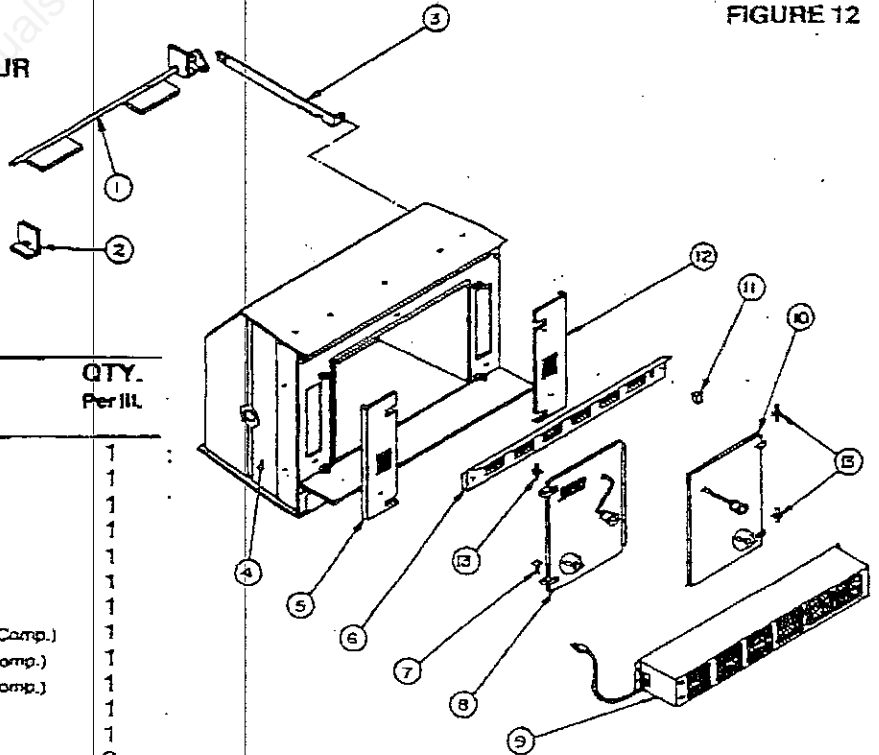
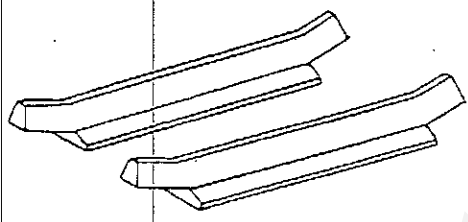


FIGURE 12

KEY PART NO.	PART NAME	PART NO.	QTY. Per Ill.
1	Dmoper Assy. PTD	018210	1
2	Support, Damper PTD	018212	1
3	Lever, Control PTD	018211	1
4	Firebox & Cap Assy. PTD	018209	1
5	Panel, Front Side L PTD	015804	1
6	Panel, Front Top LBL Assy.	018324	1
7	Rivet Steel 1/4 x 1-1/4	P626	1
8	Door, Left Feed Assy.	(See Fig. 10 for Comp.)	1
9	Blower Assy.	016255 (See Fig. 7 for Comp.)	1
10	Door, Right Feed Assy.	(See Fig. 9 for Comp.)	1
11	Knob	015566	1
12	Panel, Front Side R PTD	015805	1
13	Pin Hinge B.O.F.	011890	3

OPTIONAL ACCESSORY



AG-28
LOG HOLDERS

Mountain View Hearth Products
manuals.stove-parts-unlimited.com

LIMITED WARRANTY

ASHLEY FIREPLACE INSERT AND BLOWER

Manufactured by: The Ashley Heater Company, A division of: Martin Industries, Post Office Box 128, Florence, Alabama 35630 .

WHAT IS COVERED AND FOR HOW LONG

Fireplace Insert

For five years from the date this fireplace insert is first purchased for use, Martin Industries, Inc. will make available to you, at our factory, a free replacement for any defective part of this fireplace insert except glass door panels.

Fireplace Insert Blower

For one year from the date this fireplace insert blower is first purchased for use, the Ashley Heater Company will make available to you, at our factory, a free replacement for any defective part of this fireplace insert blower.

WHAT IS NOT COVERED

- Glass parts.
- Removal and re-installation costs.
- Labor costs for replacement or repairs.
- Transportation or shipping cost.
- The cost of a service call to diagnose trouble.
- Painted surfaces.
- Damage or defect caused by improper installation, accident, misuse, abuse, or alteration.

LIMITATIONS AND EXCLUSIONS

1. No one has authority to add to or vary this limited warranty, or to create for the Ashley Heater Company any other obligation or liability in connection with this fireplace insert and blower.
2. ANY IMPLIED WARRANTY APPLICABLE TO THIS FIREPLACE INSERT AND BLOWER IS LIMITED IN DURATION TO THE SAME PERIOD OF TIME AS THIS WRITTEN WARRANTY. Some states do not allow limitations on how long an implied warranty lasts, so the above limitations may not apply to you.
3. THE ASHLEY HEATER COMPANY SHALL NOT BE LIABLE FOR INCIDENTAL, CONSEQUENTIAL, SPECIAL, OR CONTINGENT DAMAGES YOU MIGHT SUFFER AS A RESULT OF ITS BREACH OF THIS WRITTEN WARRANTY OR ANY IMPLIED WARRANTY. Some states do not allow the exclusion or limitation of incidental or consequential damages, so the above limitation or exclusion may not apply to you.
4. This warranty applies only to the original purchaser and may not be transferred.
5. This warranty applies only to a fireplace insert or fireplace insert blower sold and used in the United States.

YOUR DUTIES

- This fireplace insert and blower must be installed and operated in accordance with local building codes and the instructions furnished with it.
- You should keep an invoice, cancelled check, or payment record to verify the purchase date.

IF YOU HAVE A PROBLEM WITH YOUR FIREPLACE INSERT OR BLOWER

1. Contact or take it to the nearest Ashley dealer. If you cannot locate your Ashley dealer, call or write the Ashley Heater Company Customer Service Department, as indicated below.
2. If you do not receive satisfactory service from the dealer within a reasonable time, write the Ashley Heater Company Customer Service Department and include the date you purchased your fireplace insert or blower, its serial number, and details of the problem you are having.

Customer Service Department
Ashley Heater Company
Post Office Box 128
Florence, Alabama 35630
Telephone: 205-767-0330

This warranty gives you specific legal rights, and you may also have other rights which vary from state to state.



FORM NO. 019864-0-383

ASHLEY HEATER COMPANY
P.O. Box 128, Florence, AL 35631