

ASHLEY



SERVICE GUIDE

Parts Removal
And Installation
K-31 / AFS241

K-31 and AFS241

PARTS REMOVAL AND INSTALLATION

*NOTE: Numbers in parenthesis () indicate part numbers.

*NOTE: When referring to left or right, this is facing unit.

A. Side panel (1 & 3): Removal

1. Remove two Phillips screws on side of unit.

2. Remove two Phillips screws on back of unit.

*NOTE: Removing left panel allows access to bypass lever and linkage.
REVERSE STEPS TO INSTALL.

B. Cabinet Corner: Removal

Right corner (4) -

1. Remove side panel (3).

2. Loosen 3/8" bolts behind corner and slide corner forward.
REVERSE STEPS TO INSTALL

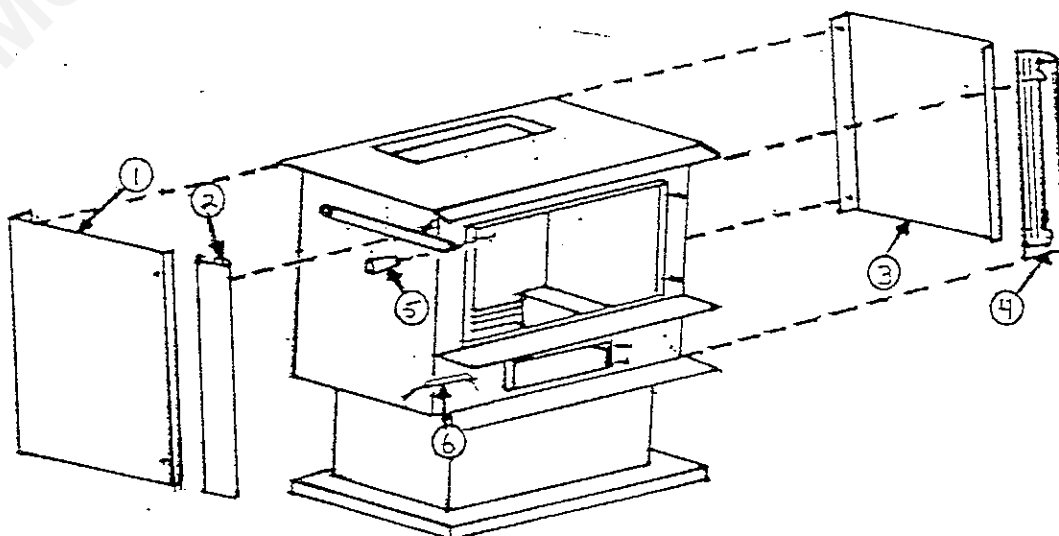
Left corner (2) -

1. Remove side panel (1).

2. Remove handle (5).

3. Remove inlet air lever (6).

4. Loosen 3/8" bolts behind corner and slide corner forward.
REVERSE STEPS TO INSTALL

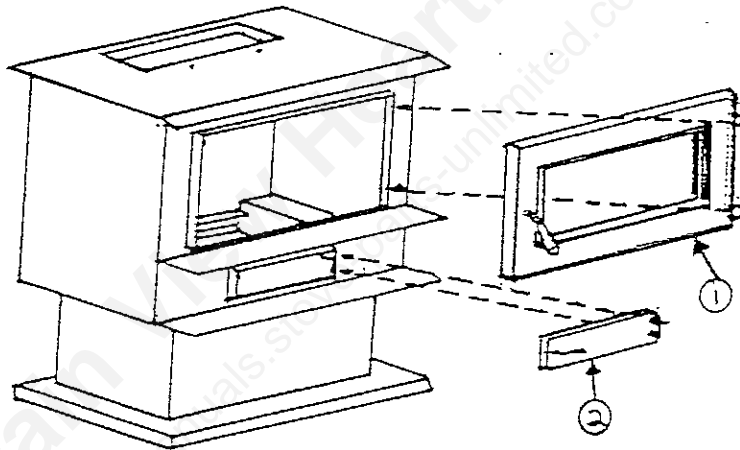


C. Fuel Feed Door (1): Removal

1. Open door.
2. Lift up on door and move side to side.
REVERSE STEPS TO INSTALL

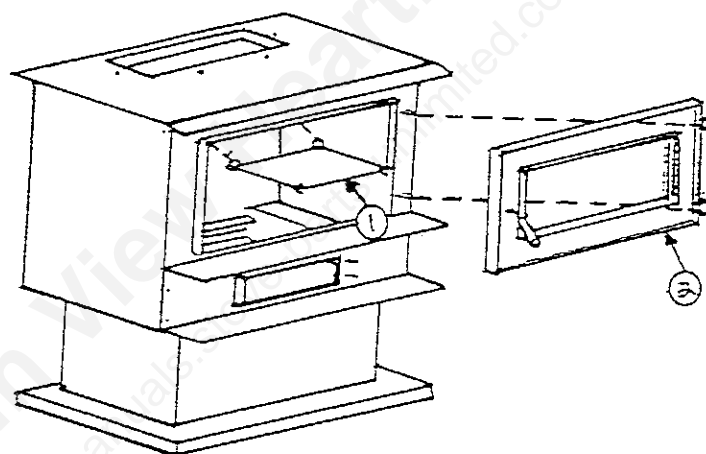
D. Ash Door (2): Removal

1. Open ash door.
2. Lift up on door and move side to side.
REVERSE STEPS TO INSTALL



E. Flame Shield (1): Removal

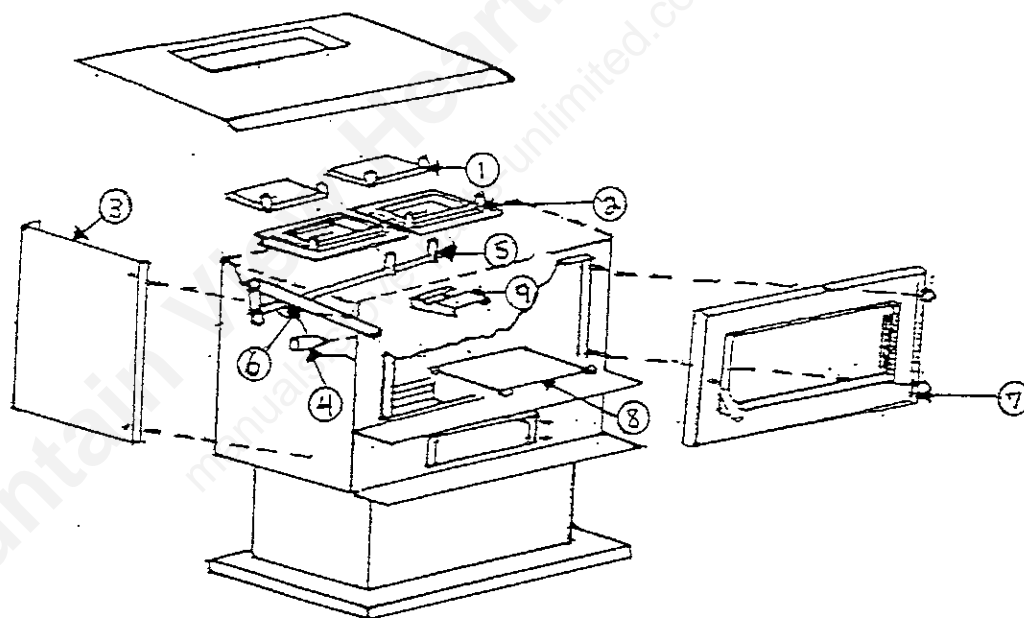
1. Open feed door (2).
 2. Slide forward until shield clears support rods.
- REVERSE STEPS TO INSTALL



F. Bypass Damper and Frame Assembly (1 & 2): Removal

1. Remove left side panel (3).
2. Remove handle (4).
3. Remove 9/16" hex nuts from damper rod (5).
4. Remove bypass lever (6).
5. Open feed door (7).
6. Remove flame shield (8).
7. Remove four 1/2" bolts holding damper rod support (9).
8. Remove six 1/2" bolts holding damper frame (2) and damper (1).

REVERSE STEPS TO INSTALL

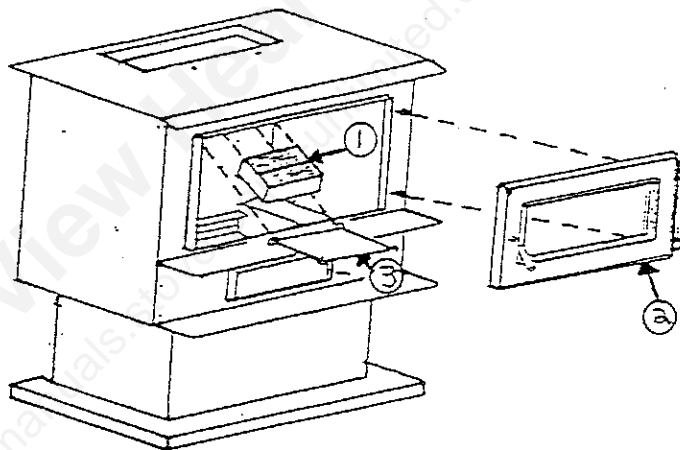


G. Catalytic Combustor (1): Removal

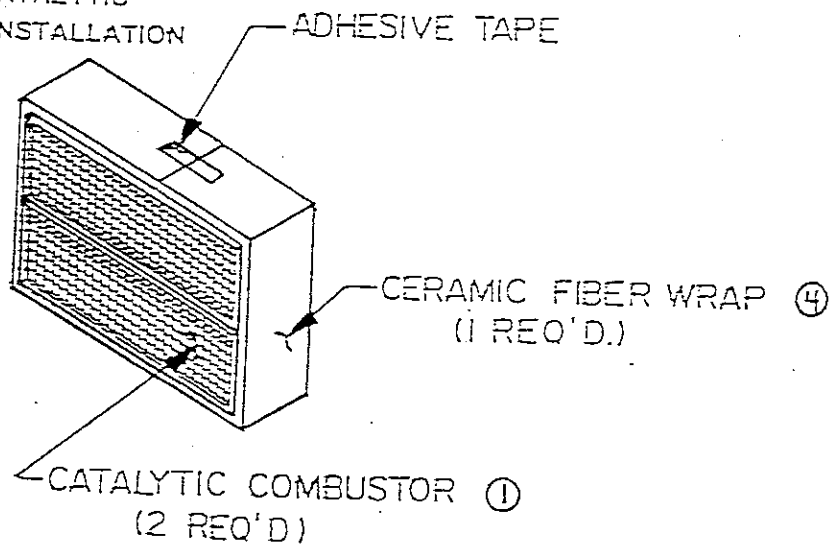
1. Open fuel feed door (2).
2. Remove flame shield (3).
3. Push up slightly on one combustor in order to grasp other combustors.
4. Pull combustors out of the combustor housing.
5. Remove combustor wrap (4).

Catalytic Combustor (1): Installation

1. Clean combustors and housing (replace if necessary).
2. Install NEW wrap around combustors (see illustration below).
3. Install assembly into housing.
4. Install flame shield (3).



PREPARATION OF CATALYTIC COMBUSTORS FOR INSTALLATION

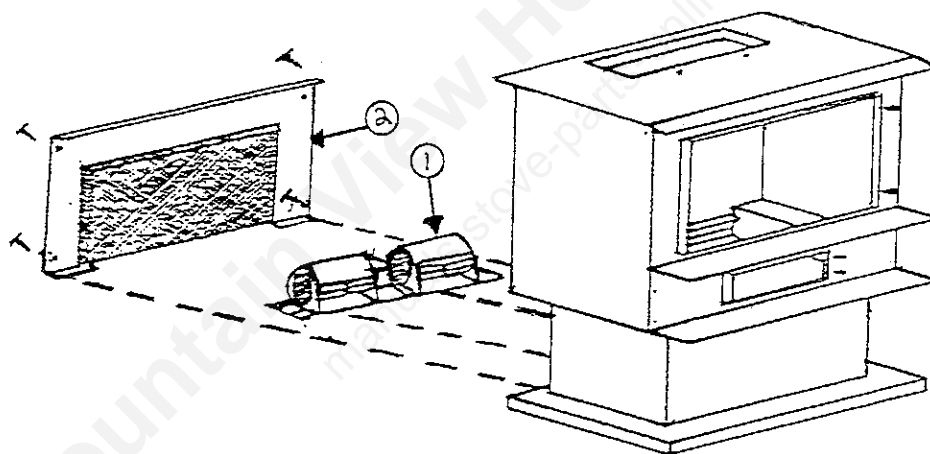


H. Convection Blower (1): Removal

1. Disconnect cord from power supply.
2. Remove four Phillips screws holding blower shroud (2).
3. Remove wire nuts (Mark wires for reference).
4. Remove green wires from ground stud.
5. Remove blower mounting nuts.
6. Remove blower from unit.

Wiring: Solid black - Solid Black
Solid White - Solid White (motor)
White w/Red Stripe - Red (motor)
White w/Black stripe - Black (motor)
Greens - Ground stud

REVERSE STEPS TO INSTALL



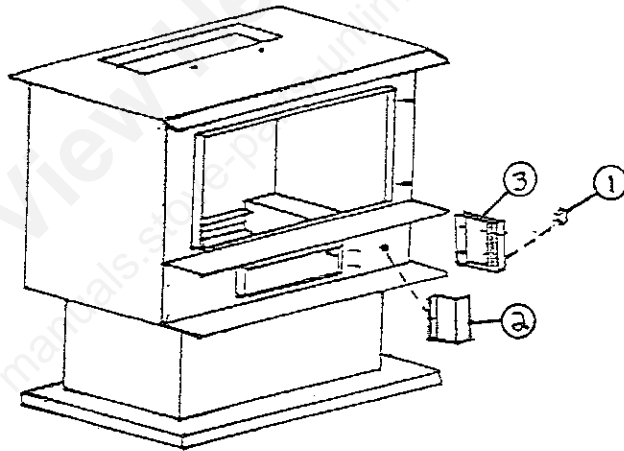
I. Convection Blower Switch (1): Removal

1. Disconnect cord from power supply.
2. Remove 3/8" hex bolt from switch cover. (2)
3. Remove cover.
4. Remove wires from switch (Mark wires for reference).
5. Remove switch from corner shroud (3).

Wiring: White w/Red stripe - High (top)
Solid Black - Common (center)
White w/Black Stripe - Low (bottom)

*NOTE: WHEN INSTALLING SWITCH, THE PRINTED DATA ON THE SWITCH SHOULD FACE THE FRONT.

REVERSE STEPS TO INSTALL



MISCELLANEOUS

MEASUREMENTS:

1. 6" I.D. opening on flue collar.
2. Flue outlet on unit - 4" x 14".
3. Bypass dampers open approximately 2".
4. Glass on feed door - 9 3/4" x 17" tempered.

GASKETS:

1. Feed door gasket - 1/2" x 63" fiberglass rope
2. Ash door gasket - 3/8" x 26" fiberglass rope

TOUCH-UP PAINT:

1. 027357R - Charcoal
2. 026616R - Golden Fire Brown

DATE PLATE:

Located on upper left corner at back of unit.

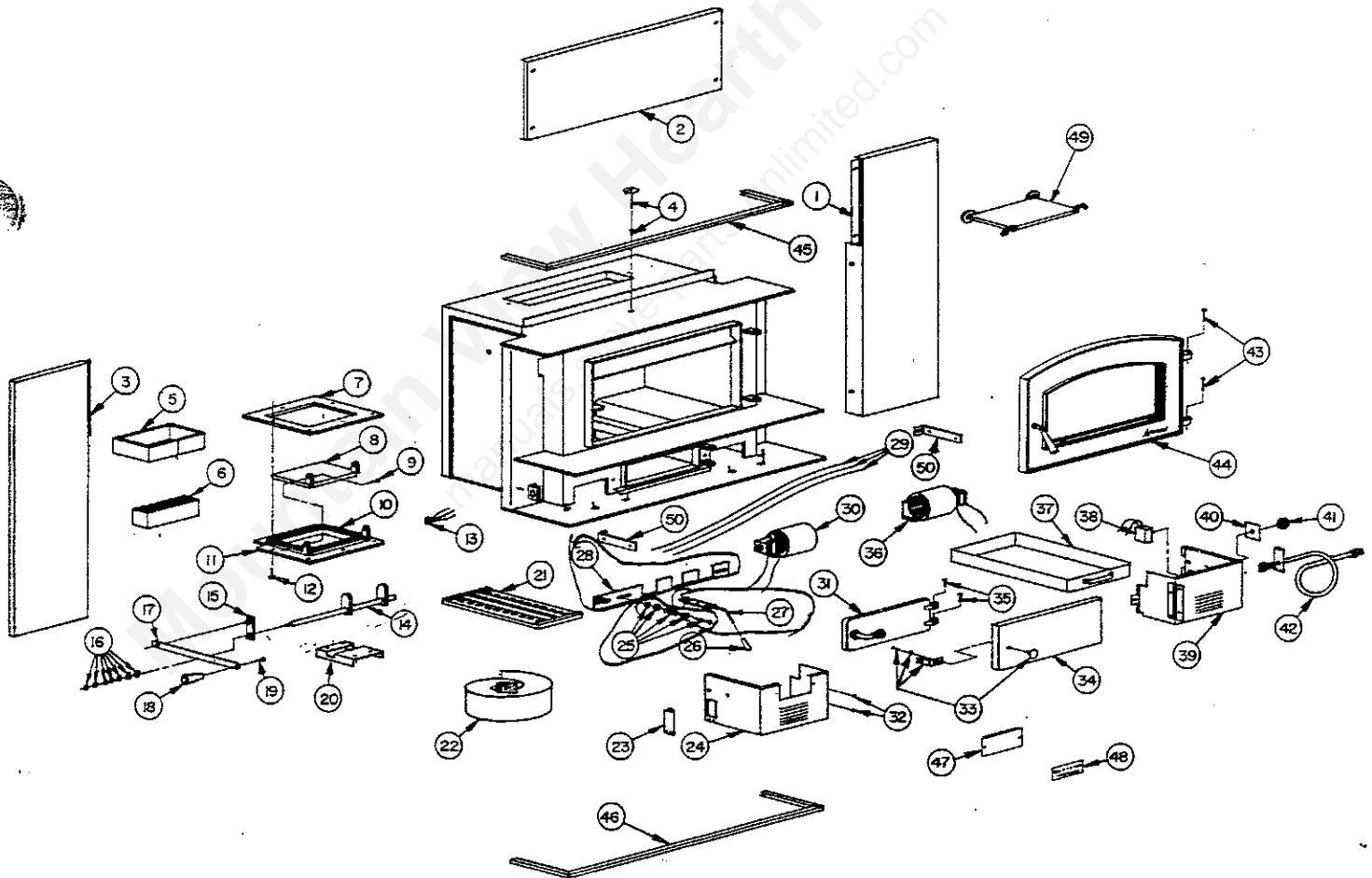
Mountain View Hearth Products
manuals.stove-parts-unlimited.com

REPAIR PARTS FOR MODELS AFI24 & AFI24B CATALYTIC WOODBURNING FIREPLACE INSERT APPLIANCES

Order all repair parts from your appliance dealer. Use the figures below for reference when ordering repair parts. To help assure prompt and accurate filling of repair part orders, please supply the following information when placing a repair part order:

1. MODEL NUMBER OF HEATER
2. PART NAME
3. PART NUMBER
4. QUANTITY OF PARTS NEEDED.

**FIGURE 1
EXPLODED VIEW OF APPLIANCE**



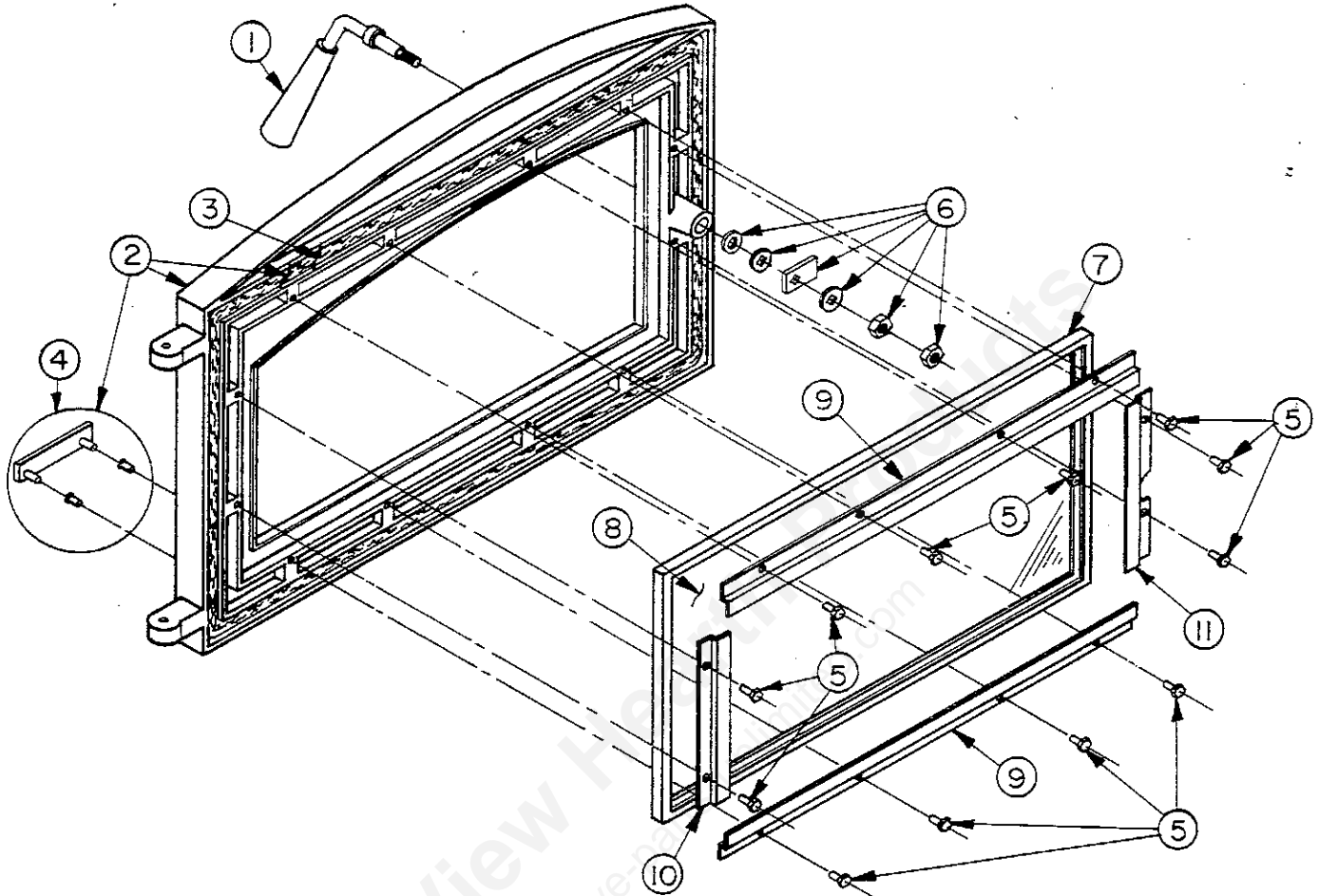
(SEE PAGE 2 FOR REPAIR PARTS LIST)

REPAIR PARTS LIST FOR FIGURE 1

KEY NO.	PART NAME	QTY. PER UNIT	AFI24 PART NO.	AFI24B PART NO.
1	Surround Right Assy.	1	048514	048520
2	Surround Top Assy.	1	048510	048516
3	Surround Left Assy.	1	048512	048518
4	Probe Thermometer	1	036049	036049
5	Wrap Combustor	1	039352	039352
6	Combustor Catalytic	2	035199	035199
7	Gasket Bypass Damper	2	040079	040079
8	Damper Bypass Drilled	2	046627	046627
9	Screw 10-24 x 3/4 Pan Mach	4	*	*
10	Rope Fiberglass Kit	2	046846	046846
11	Frame Bypass & Rope Assy.	2	046626	046626
12	Screw 5/16-18 x 3/4 Hex	10	*	*
13	Power Source Wiring Assy.	2	028107	028107
14	Rod Bypass Damper Assy.	1	047143	047143
15	Arm Bypass Damper Assy.	1	046433	046433
16	Nut 3/8-16 NC. Hex Jam	1	*	*
17	Lever Bypass Damper Ptd.	1	048672	048675
18	Handle	1	046533	046533
19	Screw 1/4-20 x 1 Pan Hd.	1	*	*
20	Support Bypass Damper Rod	1	047142	047142
21	Grate	2	035309	035309
22	Insulation Bagged Assy.	1	034690	034690
23	Cover Plate Ptd.	1	025995	027625
24	Corner Left Shroud Ptd.	1	050877	050880
25	Fastener Kit	2	048669	048669
26	Handle	1	046535	046535
27	Lever Inlet Air Ptd.	1	048670	048673
28	Damper Inlet Air Ptd.	1	048671	048674
29	Wiring Kit	1	047989	047989
30	Blower Left Assy. *	1	047820 (NLA)	047820
31	Door (Ash) & Handle Assy. (See Fig. 3 for Components)	1	047982	047983
32	Bumper Plug	2	P6108	P6108
33	Knob & Latch Kit	1	035403	035403
34	Door Shroud Ptd.	1	048270	048275
35	Pin Hinge	2	P626	P626
36	Blower Right Assy. *	1	047819 (NLA)	047819
37	Ash Pan	1	031181	031181
38	Speed Control Adjusted	1	047836	047836
39	Corner Right Shroud Ptd.	1	050879	050882
40	Label Speed Control	1	011655	011655
41	Knob	1	011656	011656
42	Cordset/Cover Plate Assy.	1	025994	027828
43	Pin Hinge (Brass Plated)	2	026345	026345
44	Door (Feed) & Handle Assy. (See Fig. 2 for Components)	1	037759	037760
45	Trim Cabinet Top	1	048683	048683
46	Trim Ash Lip	1	048682	048682
47	Cover Inlet Air Cont. Ptd.	1	049477	049478
48	Label Inlet Air Control	1	048640	048640
49	Flame Shield	1	048172	048172
50	Strap, Shroud Ptd	1	050884	050884

* Purchase Locally

**FIGURE 2
DOOR (FEED) & HANDLE ASSEMBLY**



KEY NO.	PART NAME	QTY. PER UNIT	AFI24 PART NO.	AFI24B PART NO.
1	Handle & Bushing Assy.	1	036117	036117
2	Door Feed Brs. w/Rope Ptd.	1	026320	028426
3	Gasket 1/2 Dia. Fbrgl. Rope	1	022433	022433
4	Ashley Logo & Fasteners	1	037814	037814
5	Screw 1/4 x 1/2 Long Mach.	12	*	*
6	Latch & Latch Fasteners	1	026029	026029
7	Gasket Glass	1	037801	037801
8	Glass Ceramic	1	024320	024320
9	Retainer Glass (Top & Btm)	2	018175	018175
10	Retainer Glass (Right)	1	018177	018177
11	Retainer Glass (Left)	1	018176	018176

* Purchase Locally