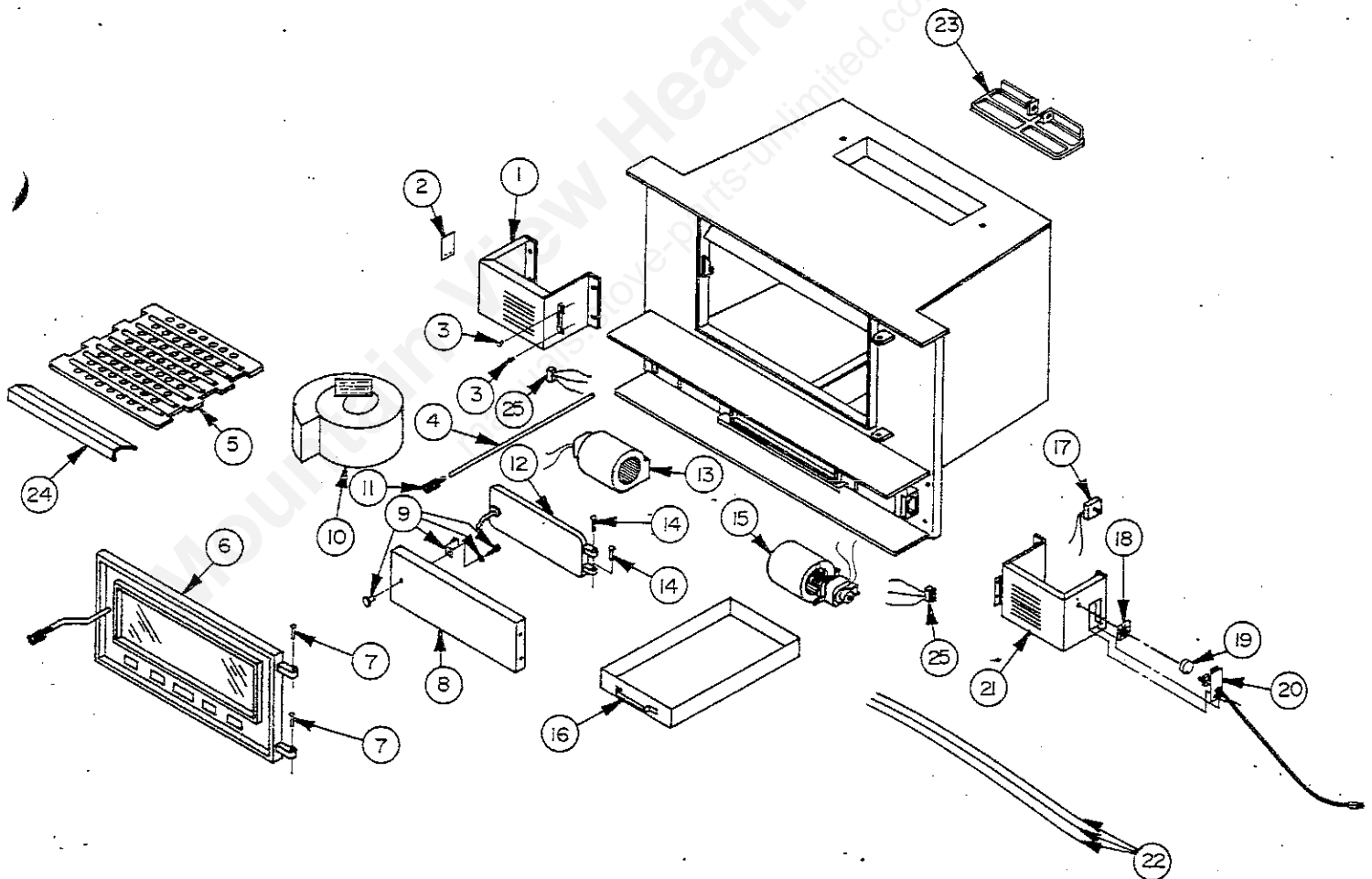


REPAIR PARTS FOR MODEL K26 WOODBURNING FIREPLACE INSERT APPLIANCE

Order all repair parts from your appliance dealer. Use the figures below for reference when ordering repair parts. To help assure prompt and accurate filling of repair part orders, please supply the following information when placing a repair part order:

1. MODEL NUMBER OF APPLIANCE
2. PART NAME
3. PART NUMBER
4. QUANTITY OF PARTS NEEDED.

FIGURE 1
EXPLODED VIEW OF APPLIANCE



(SEE PAGE 2 FOR REPAIR PARTS LIST)

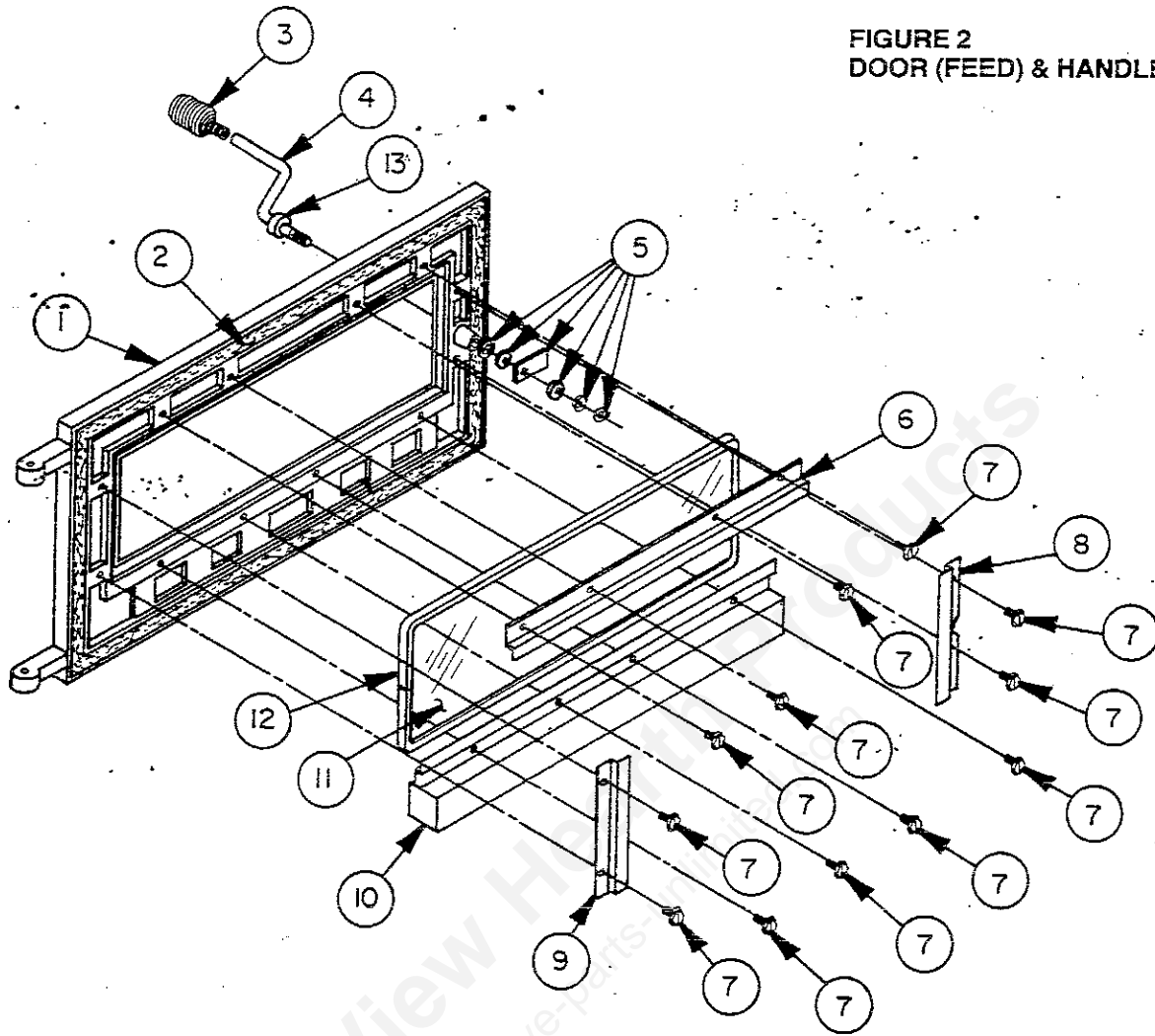
REPAIR PARTS LIST FOR FIGURE 1

KEY NO.	PART NAME	QTY.	K26 PART NO.
1	Corner Lt. Shroud Assy. Ptd.	1	047831
2	Cover Plate Painted	1	027625
3	Bumper Plug	2	P6108
4	Rod Damper	1	047798
5	Grate	1	031658
6	Door (Feed) & Handle Assy. (See Figure 2 For Components)	1	048779
7	Rivet Steel 1/4 x 1-1/4	2	026345
8	Door Shroud Ptd.	1	047832
9	Knob & Latch Kit	1	035403
10	Insulation Bagged Assy.	1	034690
11	Handle Spring	1	022186
12	Door (Ash) & Handle Assy. (See Figure 3 For Components)	1	047983
13	Blower Left Assy.	1	047820
14	Rivet	2	P626
15	Blower Right Assy.	1	047819
16	Ash Pan	1	031181
17	Speed Control Adjusted	1	047836
18	Speed Control Label	1	011655
19	Knob	1	011656
20	Cordset/Cover Plate Assy.	1	027828
21	Corner Rt. Shroud Assy. Ptd.	1	047838
22	Wiring Kit	1	047989
23	Plate Damper	1	047781
24	Retainer Ash	1	032206
25	Power Source Wiring Assy.	2	028107

NOTE:

For clarity, some screws, washers and nuts are not shown by figure 1. However, they are available from your dealer if ever needed.

**FIGURE 2
DOOR (FEED) & HANDLE ASSEMBLY**



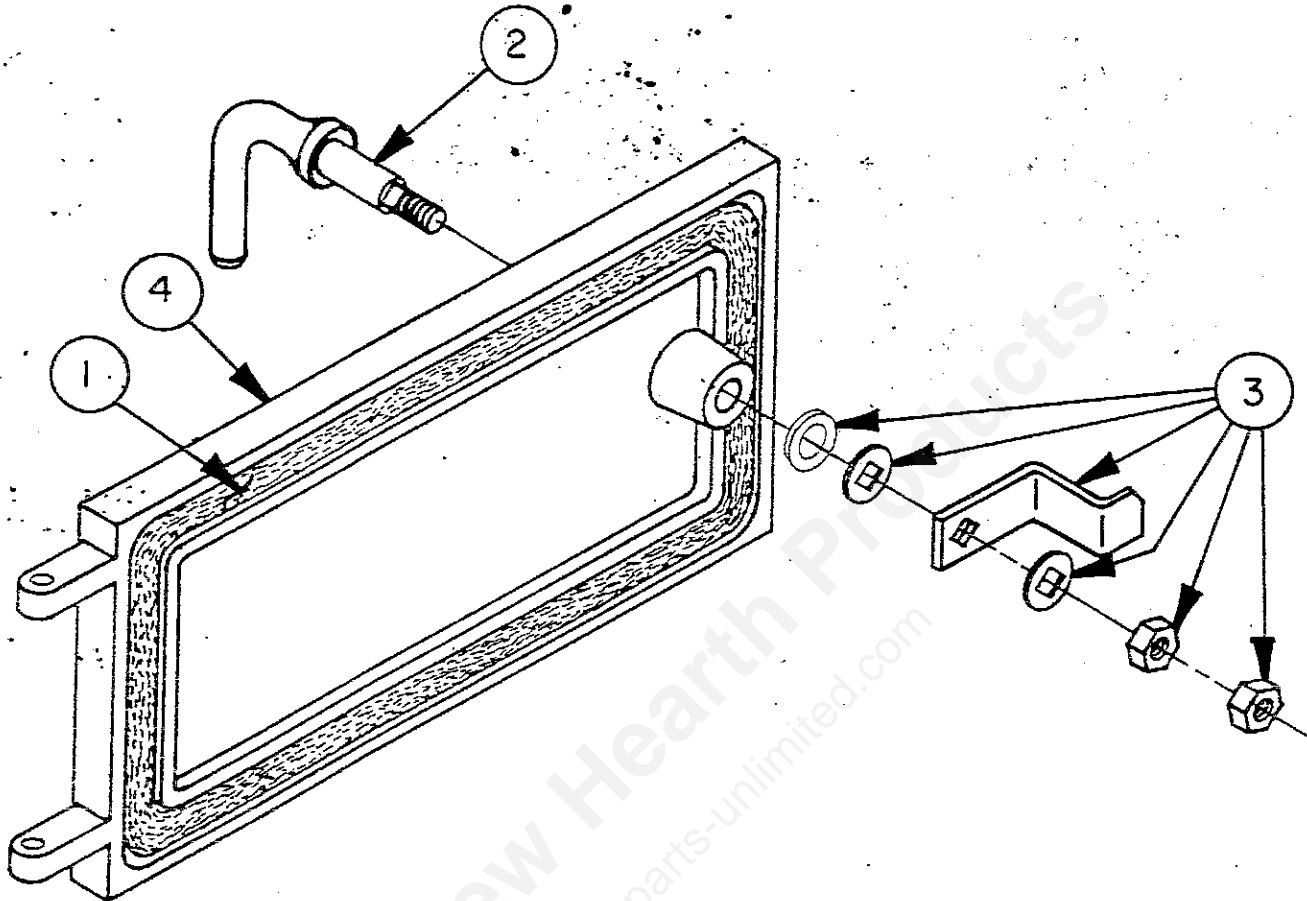
KEY NO.	PART NAME	QTY.	K26 PART NO.
1	Door Feed & Rope Assy.	1	047859
2	Rope Fiberglass	1	022433
3	Handle Spring	1	022186
4	Shaft Handle & Bushing	1	022253
5	Latch & Latch Fasteners	1	026029
6	Retainer Top	1	018175
7	Screw 1/4 x 1/2 Long Mach.	12	*
8	Retainer Glass (Left)	1	018176
9	Retainer Glass (Right)	1	018177
10	Support Inlet Air Glass	1	047799
11	Glass King	1	029212
12	Gasket	1	047817
13	Bushing Retainer	1	018655

NOTE:

The Complete Feed Door assembly for the K26 may be ordered by using part number 048779 or individual components may be ordered as described above.

* Purchase Locally

FIGURE 3
DOOR (ASH) & HANDLE ASSEMBLY



KEY NO.	PART NAME	QTY.	K26 PART NO.
1	Rope Fiberglass	1	012053-01
2	Shaft Handle	1	031646
3	Latch & Latch Fasteners	1	035395
4	Door Ash & Rope Assy. Ptd.	1	047981

NOTE:
The complete ash door assembly for the K26 may be ordered by using part number 047982 or individual components may be ordered as described above.

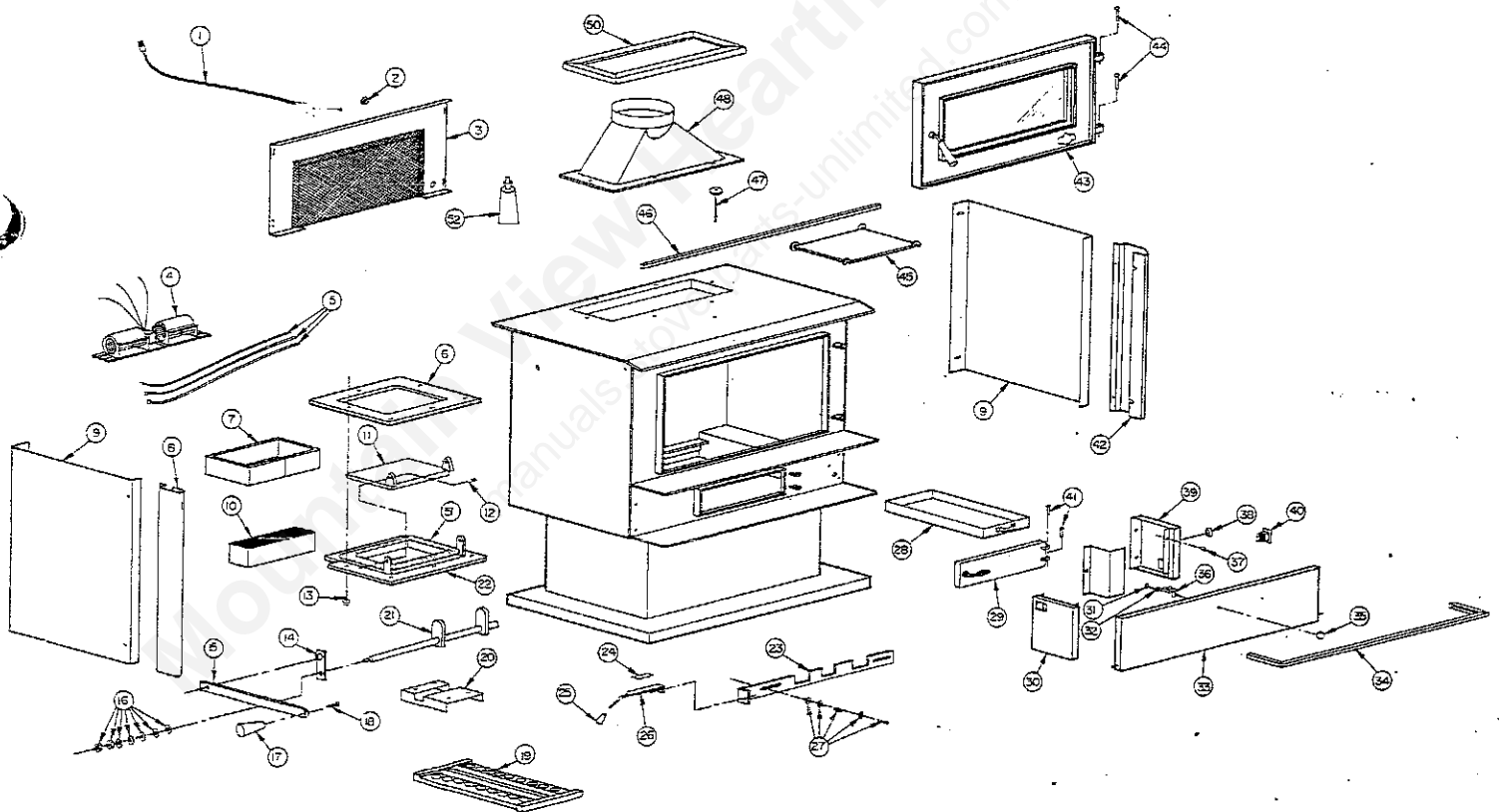
REPAIR PARTS FOR MODEL K31 CATALYTIC RADIANT WOOD BURNING HEATER

Order all repair parts from your heater dealer. Use the figures below for reference when ordering repair parts.

To help assure prompt and accurate filling of repair part orders, please supply the following information when placing a repair part order:

1. MODEL NUMBER OF HEATER;
2. PART NAME;
3. PART NUMBER;
4. QUANTITY OF PARTS NEEDED.

**FIGURE 1
EXPLODED VIEW OF APPLIANCE**



(SEE PAGE 2 FOR REPAIR PARTS LIST)

REPAIR PARTS LIST FOR FIGURE 1

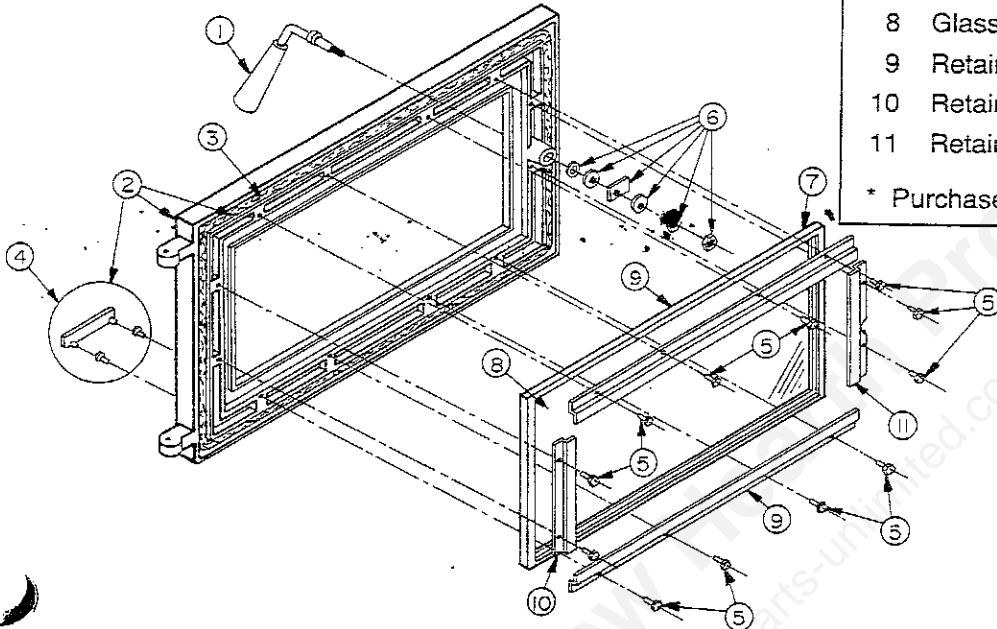
KEY NO.	PART NAME	QTY. PER UNIT	PART NO.
1	Cordset Assembly	1	039934
2	Strain Relief Bushing	1	003365
3	Shroud Blower Assy. Ptd.	1	050055
4	Convection Blower Assy.	1	049768
5	Wiring Kit	1	049814
6	Gasket Bypass Damper	2	040079
7	Wrap Combustor	1	039352
8	Corner Left Cabinet Ptd.	1	050034
9	Panel Side Ptd.	2	050030
10	Combustor Catalytic	2	035199
11	Damper Bypass Drilled	2	046627
12	Screw 10-24 x 3/4 Pan Mach.	4	*
13	Screw 5/16-18 x 3/4 Hex	10	*
14	Arm Bypass Damper Assy.	1	046433
15	Lever Bypass Damper Ptd.	1	049809
16	Fastener Kit F/Actr Arm	1	049519
17	Handle	1	046533
18	Screw 1/4-20 x 3/4 Pan Hd.	1	*
19	Grate	1	035309
20	Support Bypass Damper Rod	1	047142
21	Rod Bypass Damper Assy.	1	047143
22	Frame Bypass & Rope Assy.	2	046626
23	Damper Inlet Air Ptd.	1	049811
24	Label Inlet Air	1	049576
25	Handle	1	046535
26	Lever Inlet Air Ptd.	1	049813
27	Fastener Kit	2	048669
28	Ash Pan	1	031181
29	Door (Ash) & Handle Assy. (See Fig. 3 For Components)	1	047983
30	Corner Left Shroud Pntd.	1	050028
31	Screw 10 x 24 3/8	1	P330
32	Washer	1	P832
33	Door Shroud Ptd.	1	050027
34	Trim Ash Lip	1	049771
35	Handle 3/4 Dia. Ball	1	019848
36	Latch	1	006154
37	Bumper Plug	2	P6108
38	Knob	1	011656
39	Corner Right Shroud Ptd.	1	050029
40	Switch	1	038102
41	Pin Hinge	2	027830
42	Corner Right Cabinet Ptd.	1	050033
43	Door (Feed) & Handle Assy. (See Fig. 2 For Components)	1	046699
44	Pin Hinge	2	049765
45	Flame Shield Assy.	1	048172
46	Trim Cabinet Top	1	049772
47	Probe Thermometer	1	037212
48	Collar Flue Ptd.	1	053196
50	Trim Flue Collar Assy. Ptd.	1	053197
51	Rope Fiberglass Kit	2	046846
52	Tube 4 Oz. Furnace Cement	1	016127
**	Touch Of Paint	1	026616

NOTE: For Clarity Some Screws And Washers Are Not Shown By This Figure. However, They Are Available From Your Dealer If Ever Needed.

* Purchase Locally

** Not Shown By Figure.

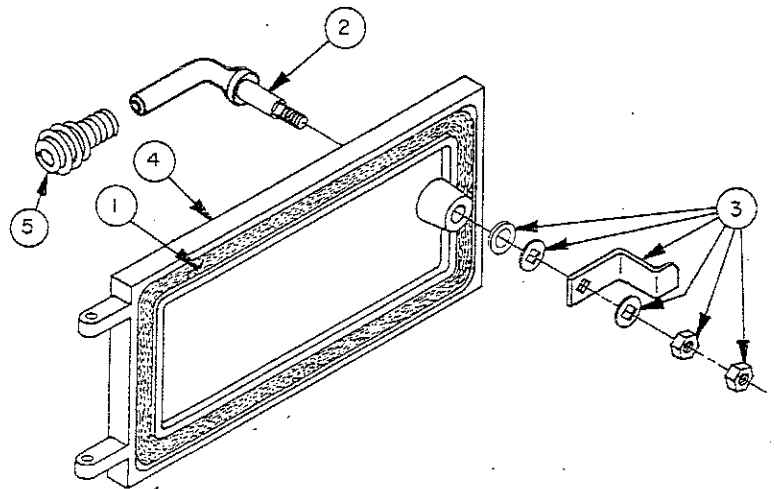
FIGURE 2



KEY NO.	PART NAME	QTY. PER UNIT	PART NO.
1	Handle & Bushing Assy.	1	036117
2	Door Feed Brs w/Rope Assy.	1	046697
3	Gasket 1/2 Dia. Fbrgt. Rope	1	022433
4	King Logo & Fasteners	1	037815
5	Screw 1/4 x 1/2 Long Mach.	12	*
6	Latch & Latch Fasteners	1	026029
7	Gasket Glass	1	037801
8	Glass Ceramic	1	024320
9	Retainer Glass (Top & Btm)	2	018175
10	Retainer Glass (Right)	1	018177
11	Retainer Glass (Left)	1	018176

* Purchase Locally

FIGURE 3



KEY NO.	PART NAME	QTY. PER UNIT	PART NO.
1	Rope Fiberglass	1	012053-01
2	Shaft Handle	1	031646
3	Latch & Latch Fasteners	1	035395
4	Door Ash & Rope Assy. Ptd.	1	047981
5	Handle Spring	1	025322