

15. Don't neglect to keep bypass damper mechanism free of ash buildup.
 16. Don't neglect to inspect chimney connector pipes for corrosion.

KC5 KC5B

SECTION 6

WARRANTY INFORMATION, REPAIR PARTS, AND OPTIONAL ACCESSORIES

WARRANTY CLAIM INFORMATION

A catalytic combustor warranty and a heater warranty are packed with this owner's manual. For warranty claims, follow the instructions provided by each warranty.

REPAIR PARTS

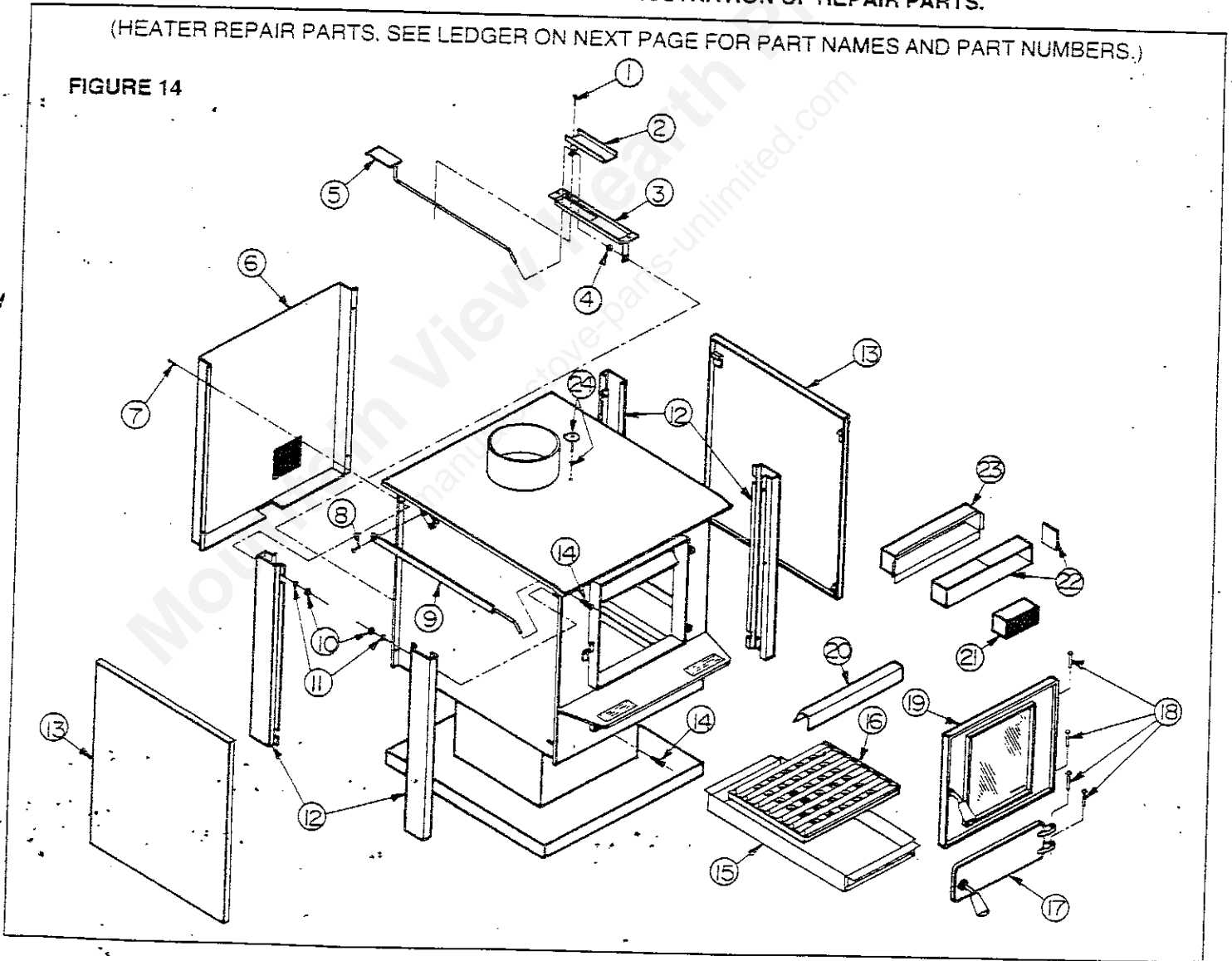
ORDER ALL REPAIR PARTS FROM YOUR KING DEALER BY SUPPLYING THE FOLLOWING INFORMATION:

1. PART NAME
2. PART NUMBER (Not Key No.)
3. MODEL NUMBER

SEE FIGURES 14, 15, & 16 FOR ILLUSTRATION OF REPAIR PARTS.

(HEATER REPAIR PARTS. SEE LEDGER ON NEXT PAGE FOR PART NAMES AND PART NUMBERS.)

FIGURE 14



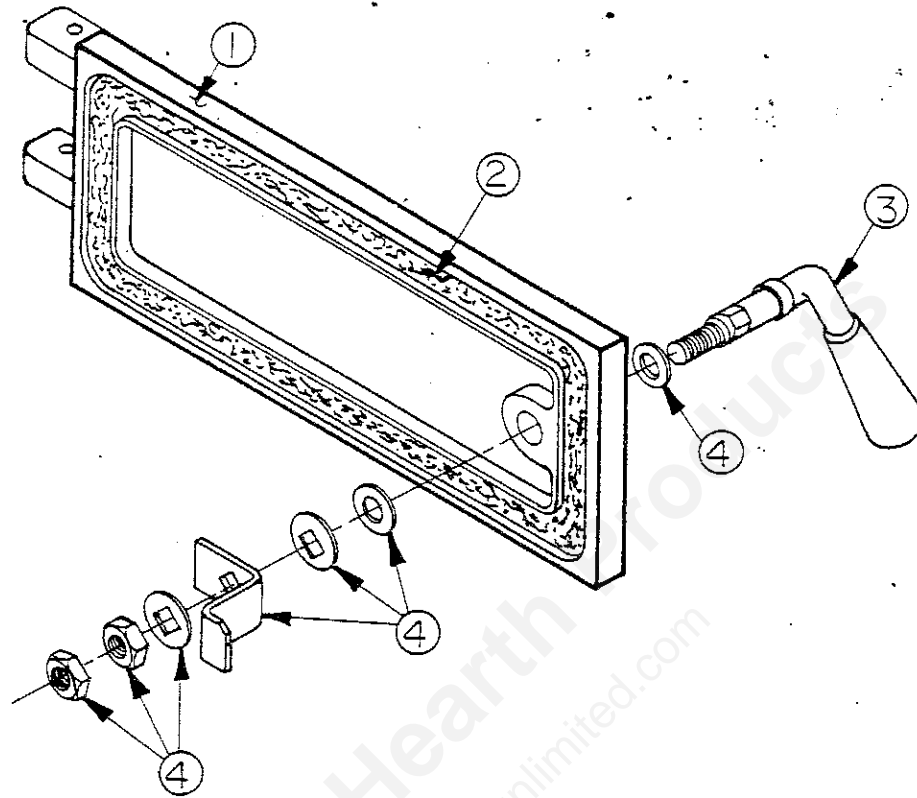
SEE FIGURE 14 FOR ILLUSTRATION OF PARTS.

KEY NO.	PART NAME	PER UNIT QTY.	KC5 PART NO.	KC5B PART NO.
1	Key Cotter 1/16 Dia x 3/4	1		
2	Slide Draft Weld Assy.	1	036340	036340
3	Support Draft Slide Assy.	1	036342	036342
4	Bushing	1	011055	011055
5	Lever Draft Slide Ptd.	1	037888	037891 -10-5
6	Shield Back Radiation Assy.	1	037466	037470
7	Screw 10-24 x 3/4 Mach Pan	4		
8	Screw 1-4-20 x 1/2 Mach Hex	1		
9	Lever Bypass Damper Ptd.	1	037889	037892 -10-5
10	Nut 10-24 Hex Cad	8		
11	Washer Lock Split #10 Pl.	8		
12	Rail End Retaining Enamel	4	037454	037459
13	Panel Side Assy. Ptd.	2	037465	037469
14	Handle Spring	2	025516	025516
15	Pan Ash Assy.	1	036989	036989
16	Grate	2	035308	035308
17	Door (Ash) & Handle Assy. (See Fig. 15 For Components)	1	037848 -10	037849 -10
18	Pin Hinge	4	P626	P626
19	Door (Feed) & Handle Assy. (See Fig. 16 For Components)	1	037835 -10	037834 -10
20	Retainer Ash Ptd.	1	037890 -10	037893 -10
21	Combustor Catalytic	3	036075	036075
22	Wrap (For 3 Combusts) Kit	1	037870	037870
23	Catalyst Can Weld Assy.	1	036067	036067
24	Probe Thermometer	1	036049	036049
**	Label Test Performance	1	037090 -20	037090
**	Label Bypass Damper	1	036496	036496
	*Purchase Locally			
	**Not Shown			

P.O.
12489
7-26-84

Mountain View
manuals.stove-parts-unlimited.com

FIGURE 15 (ASH DOOR REPAIR PARTS)

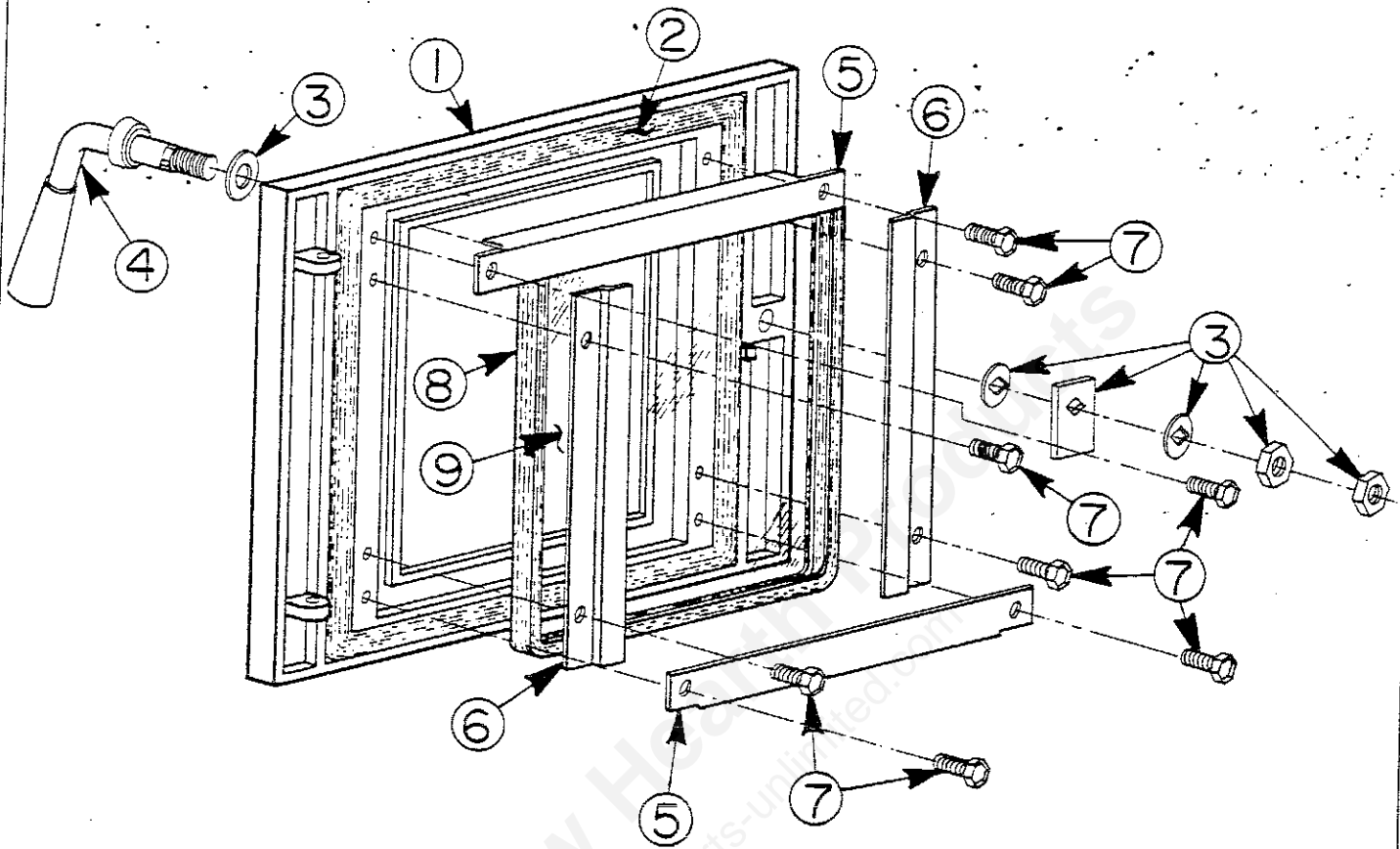


KEY NO.	PART NAME	PER UNIT QTY.	KC5 PART NO.	KC5B PART NO.
1	Door Ash & Rope Assy.	1	037851	037852
2	Gasket 3/8 Dia. Fbrgl. Rope	1	012053-01	012053-01
3	Handle & Bushing Assy.	1	036224	036224
4	Latch & Latch Fasteners	1	026029	026029

Note: The Complete Ash Door Assembly For The KC5 May Be Ordered By Using Part Number 037848 Or Individual Components May Be Ordered As Described Above.

Note: The Complete Ash Door Assembly For the KC5B May Be Ordered By Using Part Number 037849 Or Individual Components May Be Ordered As Described Above.

FIGURE 16 (FUEL FEED DOOR REPAIR PARTS)



KEY NO.	PART NAME	PER UNIT QTY.	KC5 PART NO.	KC5B PART NO.
1	Door Feed & Rope Assy.	1	026027	029701
2	Gasket 1/2 Dia. Fbrgl. Rope	1	009535-01	009535-01
3	Latch & Latch Fasteners	1	026029	026029
4	Handle & Bushing Assy.	1	036131	036131
5	Retainer Glass (Top & Btm.)	2	026187	026187
6	Retainer Glass	2	018053	018053
7	Screw 1/4-20 x 1/2 Lg. Mach.	8	*	*
8	Gasket Glass	1	037810	037810
9	Glass King	1	029215	029215

Note: The Complete Fuel Feed Door Assembly For The KC5 May Be Ordered By Part Number 037835 Or Individual Components May Be Ordered As Described Above.

Note: The Complete Fuel Feed Door Assembly For The KC5B May Be Ordered By Using Part Number 037384 Or Individual Components May Be Ordered As Described Above.