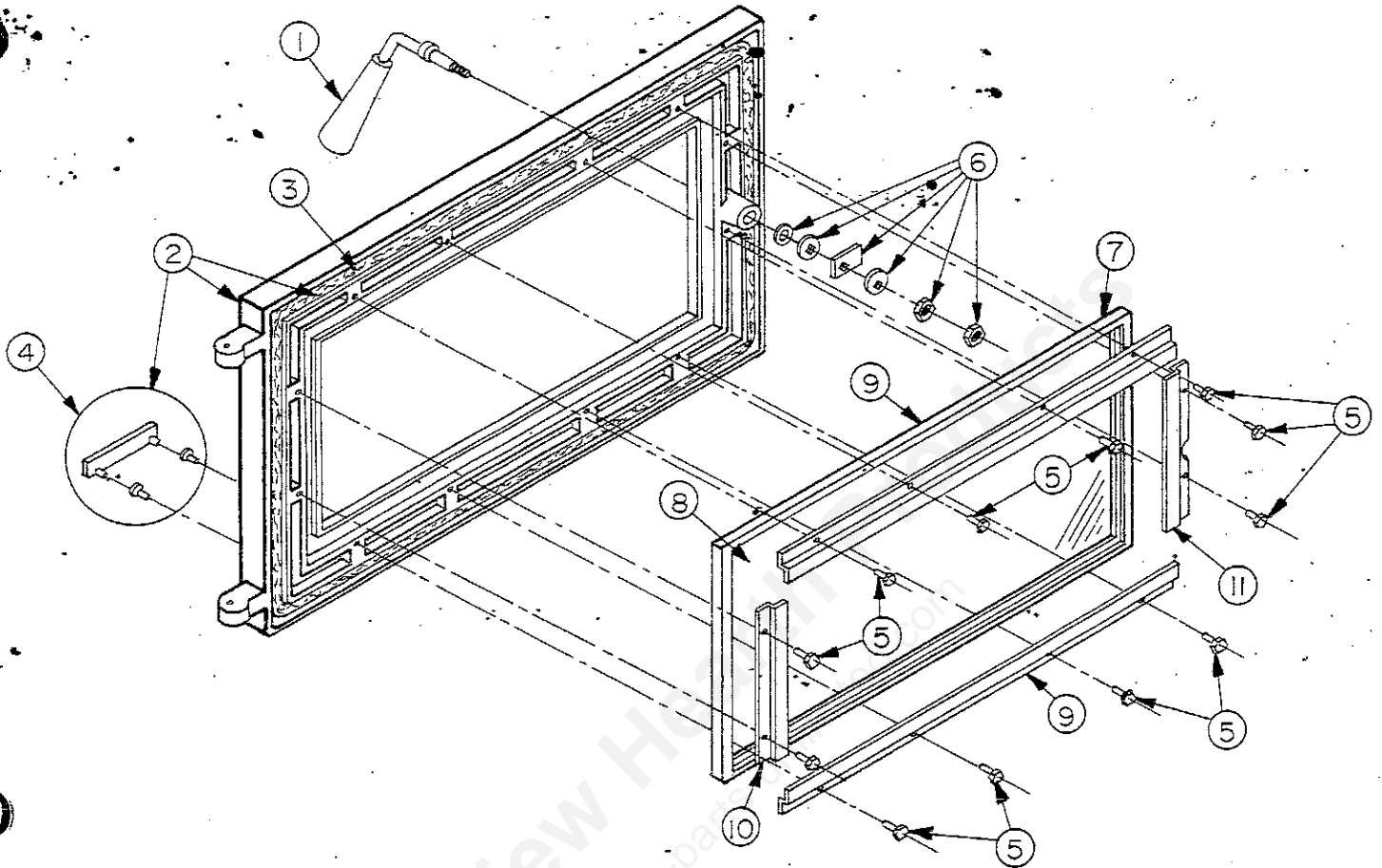


REPAIR PARTS LIST FOR FIGURE 1

KEY NO.	PART NAME	QTY. PER UNIT.	KI3 PART NO.
1	Surround Right Assy.	1	048520
2	Surround Top Assy.	1	048516
3	Surround Left Assy.	1	048518
4	Probe Thermometer	1	036049
5	Wrap Combustor	1	039352
6	Combustor Catalytic	2	035199
7	Gasket Bypass Damper	2	040079
8	Damper Bypass Drilled	2	046627
9	Screw 10-24 x 3/4 Pan Mach	4	*
10	Rope Fiberglass Kit	2	046846
11	Frame Bypass & Rope Assy.	2	046626
12	Screw 5/16-18 x 3/4 Hex	10	*
13	Power Source Wiring Assy.	2	028107
14	Rod Bypass Damper Assy.	1	047143
15	Arm Bypass Damper Assy.	1	046433
16	Nut 3/8-16 Nc. Hex. Jam	2	*
17	Lever Bypass Damper Ptd.	1	048675
18	Handle	1	046533
19	Screw 1/4-20 x 1 Pan Hd.	1	*
20	Support Bypass Damper Rod	1	047142
21	Grate	2	035309
22	Insulation Bagged Assy.	1	034690
23	Cover Plate Ptd.	1	027625
24	Corner Left Shroud Ptd.	1	050880
25	Fastener Kit	2	048669
26	Handle	1	046535
27	Lever Inlet Air Ptd.	1	048673
28	Damper Inlet Air Ptd.	1	048674
29	Wiring Kit	1	047989
30	Blower Left Assy.	1	047820
31	Door (Ash) & Handle Assy. (See Fig. 3 for Components)	1	047983
32	Bumper Plug	2	P6108
33	Knob & Latch Kit	1	035403
34	Door Shroud Ptd.	1	048275
35	Pin Hinge	2	P626
36	Blower Right Assy.	1	047819
37	Ash Pan	1	031181
38	Speed Control Adjusted	1	047836
39	Corner Right Shroud Ptd.	1	050882
40	Label Speed Control	1	011655
41	Knob	1	011656
42	Cordset/Cover Plate Assy.	1	027828
43	Pin Hinge (Brass Plated)	2	026345
44	Door (Feed) & Handle Assy. (See Fig. 2 for Components)	1	046699
45	Trim Cabinet Top	1	048683
46	Trim Ash Lip	1	048682
47	Cover Inlet Air Control Ptd.	1	049478
48	Label Inlet Air Control	1	048640
49	Flame, Shield	1	048172
50	Strap, Shroud Ptd.	2	050884

* Purchase Locally

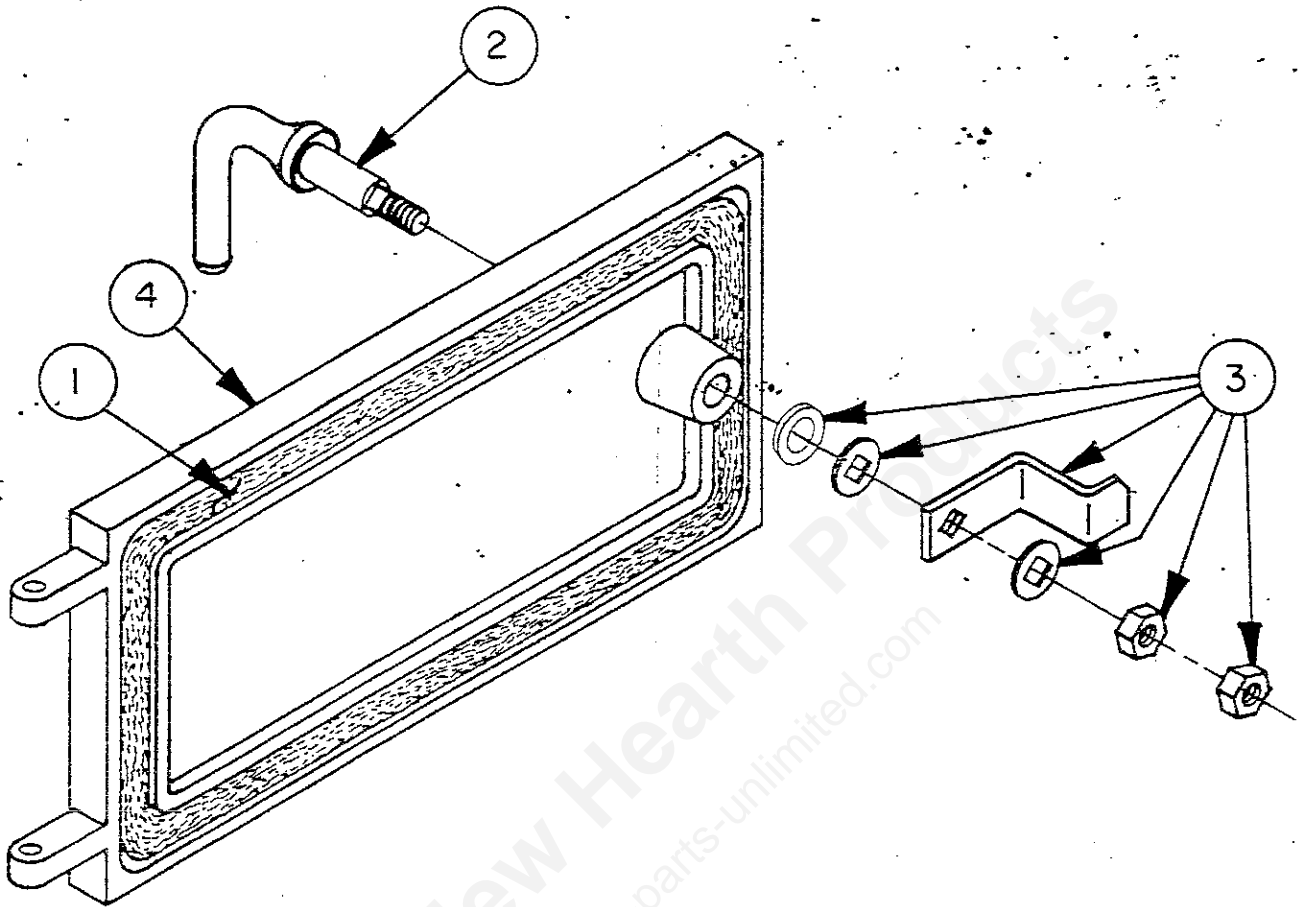
FIGURE 2
DOOR (FEED) & HANDLE ASSEMBLY



KEY NO.	PART NAME	QTY. PER UNIT	K13 PART NO.
1	Handle & Bushing Assy.	1	036117
2	Door Feed Brs. w/Rope Ptd.	1	046697
3	Gasket 1/2 Dia. Fbrgl. Rope	1	022433
4	King Logo & Fasteners	1	037815
5	Screw 1/4 x 1/2 Long Mach.	12	*
6	Latch & Latch Fasteners	1	026029
7	Gasket Glass	1	037801
8	Glass Ceramic	1	024320
9	Retainer Glass (Top & Btm)	2	018175
10	Retainer Glass (Right)	1	018177
11	Retainer Glass (Left)	1	018176

* Purchase Locally

FIGURE 3
DOOR (ASH) & HANDLE ASSEMBLY



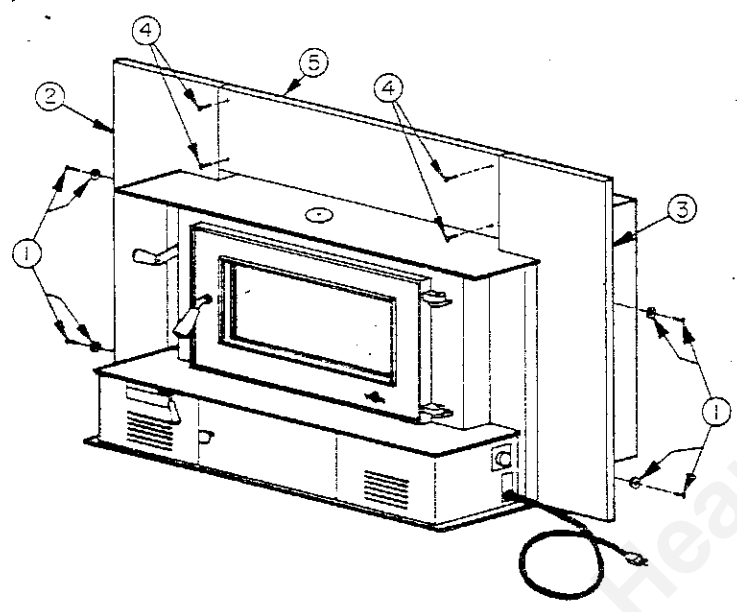
KEY NO.	PART NAME	QTY. PER UNIT	K13 PART NO.
1	Rope Fiberglass	1	012053-01
2	Shaft Handle	1	031646
3	Latch & Latch Fasteners	1	035395
4	Door Ash & Rope Assy. Ptd.	1	047981
5	Handle Spring	1	025322

KING PRODUCTS DIVISION
P.O. BOX 128, FLORENCE, AL 35631
PHONE 205-767-0330

FIGURE 8

TYPICAL SURROUND KIT COMPONENTS AND INSTALLATION

See figure 1 of this manual to determine which of the available surround kits is best for your particular installation. Both surround kits described by figure 1 are designed to be installed in the manner shown below and as described by the APPLIANCE INSTALLATION section this manual.

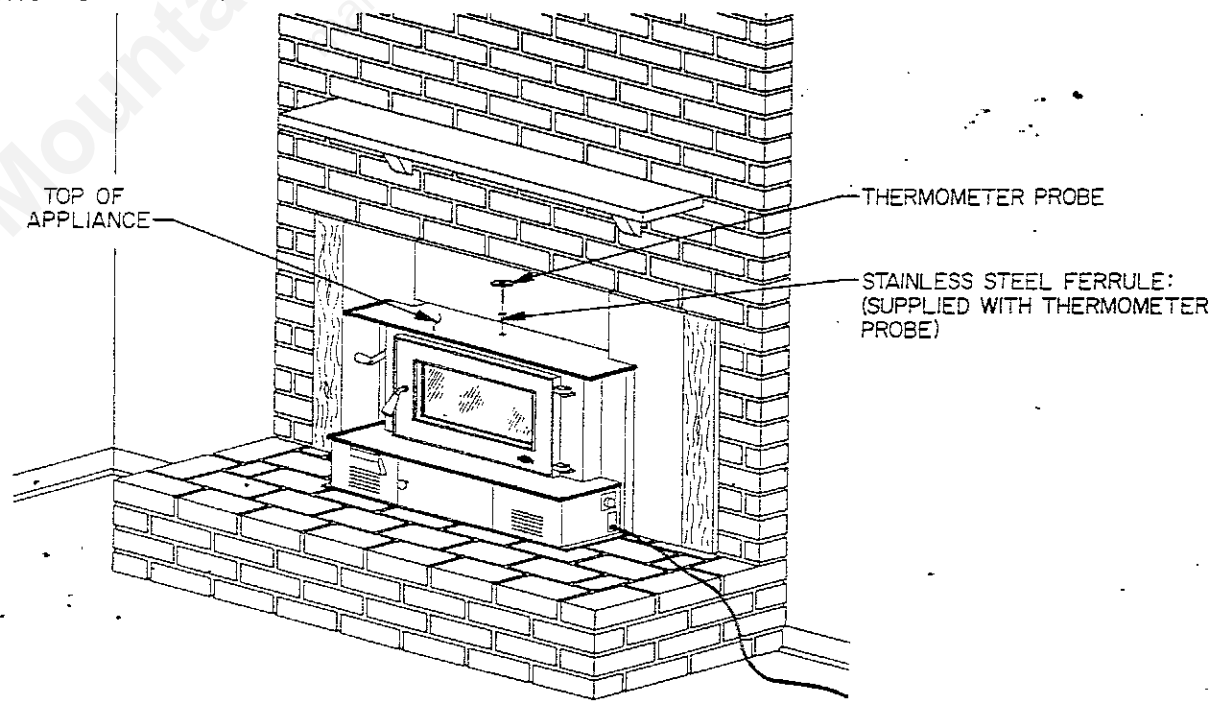


KEY NO.	DESCRIPTION OF PART	QTY. PER INSTALLATION
1	Appliance's Factory-Installed Screws & Washers	4 Each
2	Left Surround Panel	1 Each
3	Right Surround Panel	1 Each
4	Screws Provided with Kit	4 Each
5	Top Surround Panel	1 Each

Installation of the available kits consist of the parts listed to the right and shown above:

FIGURE 9

INSTALLATION OF THERMOMETER PROBE



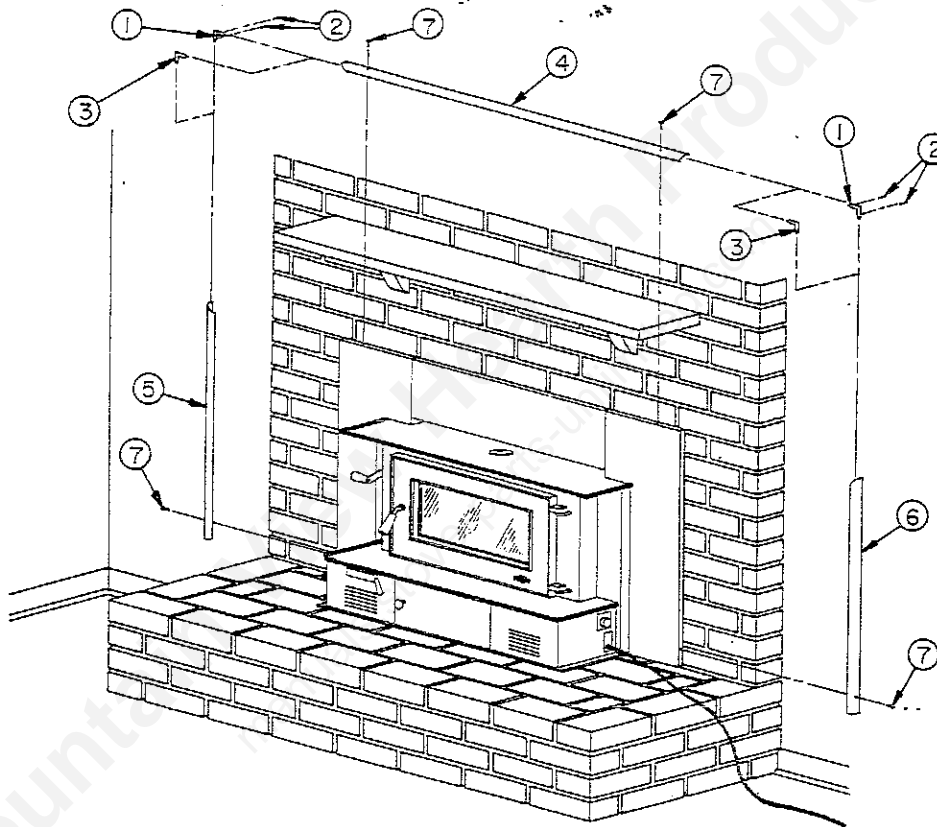
**FIGURE 10
INSTALLATION OF OPTIONAL BRASS TRIM KIT**

To further enhance the appearance of your new appliance, optional decorative accessories are available from your appliance dealer as described below.

The BK7A Brass Trim Kit is an optional decorative accessory sized to fit around the perimeter of the surround kit furnished with your new appliance.

The BK8A Brass Trim Kit is an optional decorative accessory sized to fit around the perimeter of the SK24B Surround Kit.

The BK7 and BK8 Brass Trim Kits are both designed to be easily installed as shown below.



The BK7A and BK8A Kits consist of the parts listed below and shown above.

KEY NO.	PART NAME	QTY. PER KIT
1	Corner Key (w/2 Holes)	2
2	Setscrew (No. 10-32 x .160)	4
3	Corner Key (Holeless)	2
4	Trim, Top	1
5	Trim, Left Side	1
6	Trim, Right Side	1
7	Screw (No. 10 x 1/2 Type A)	4