



CATALYTIC WOODBURNING FIREPLACE INSERT MODELS MCF & MCFB

Installation, Operation and Maintenance Instructions

SAFETY TESTED TO UL1482 AND LISTED BY WARNOCK HERSEY INTERNATIONAL, INC.

TABLE OF CONTENTS

IMPORTANT GENERAL INFORMATION			1
FIREPLACE AND CHIMNEY REQUIREMENTS			1
BUILDING CODES AND SAFETY STANDARDS			3
HOW THIS FIREPLACE INSERT OPERATES			3
UNPACKING AND INSPECTION			5
TOOLS AND SUPPLIES NEEDED FOR INSTALLATION			5
INSTALLATION PROCEDURES			5
SAFE USE			7
WOOD FACTS			7
OPERATION OF THE FIREPLACE INSERT			8
TO BUILD A FIRE			8
FIRE TENDING			9
CATALYTIC COMBUSTOR OPERATING TEMPERATURES			9
CATALYTIC COMBUSTORS EXPLAINED			11
INSERT AND CHIMNEY MAINTENANCE			11
ASHES - REMOVAL AND DISPOSAL			11
CREOSOTE - FORMATION AND NEED FOR REMOVAL			11
ICE - FORMATION AND PREVENTION			12
INSERT MAINTENANCE			12
WHEN AND HOW TO REPLACE THE CATALYTIC COMBUSTOR (S)			12
TROUBLESHOOTING			13
POSSIBLE CATALYTIC COMBUSTOR-RELATED PROBLEMS			15
CHECKLIST OF DO'S AND DON'TS			16
WARRANTY CLAIM INFORMATION			17
REPAIR PARTS			17
OPTIONAL ACCESSORIES			21
A FINAL WORD			24

IMPORTANT GENERAL INFORMATION

This woodburning insert contains catalytic combustors which need periodic inspection and replacement for proper operation. It is against the law to operate this insert in a manner inconsistent with operating instructions in this manual, or if the catalytic element is deactivated or removed.

This insert is designed to burn only natural wood. This insert is not designed to burn artificial logs, processed fuels, coal, charcoal, plywood, trash, garbage, wrapping paper, preformed wood, or treated wood. These prohibited fuels may cause the insert and chimney to dangerously overheat or release poisonous gases into the dwelling. These prohibited fuels also contain elements such as lead, zinc and sulfur that will "poison" or deactivate the catalytic combustor. A poisoned catalytic combustor will not operate effectively and must be replaced. Any attempt to burn these prohibited fuels or to attach the insert to any other heating device can be very hazardous. This insert is not designed to be used in a mobile home.

Never use gasoline, gasoline type lantern fuels, kerosene, charcoal lighter fluid, or any similar liquids to start or freshen up a fire in this insert. The use or presence of these type fuels in or around the insert can cause an explosion and house fire resulting in personal injuries and property damage.

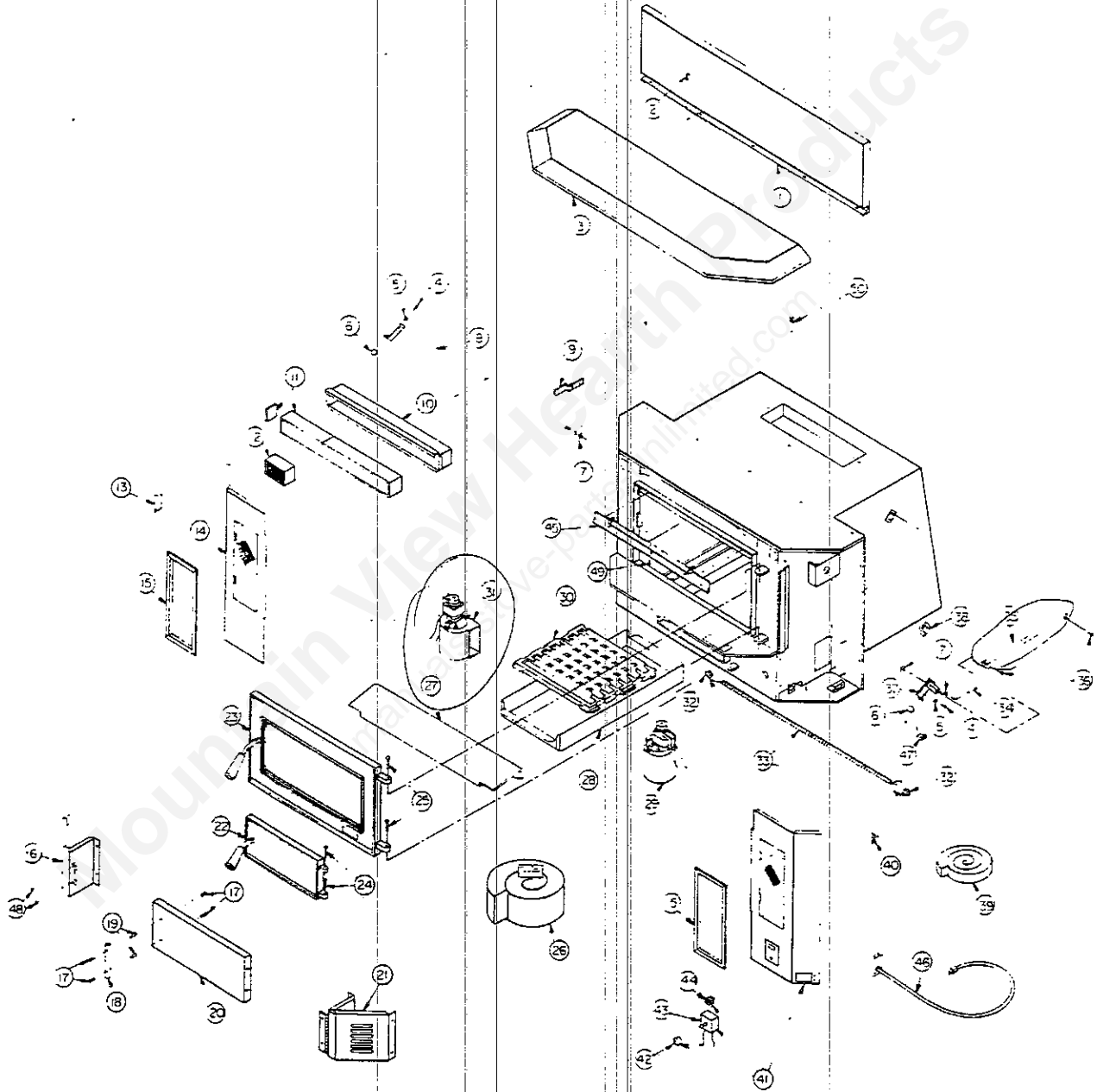
To assure that satisfactory and safe service is received from this fireplace insert:

1. Read these instructions before installing and using the fireplace insert.
2. Use these instructions as a guide during the installation of the fireplace insert.
3. Be sure these instructions become the property of and are reviewed by all future users of this insert to encourage proper operation and maintenance of this unit.

FIREPLACE AND CHIMNEY REQUIREMENTS

This insert has been designed, tested for, and should only be installed in a masonry fireplace and chimney built to the National Fire Protection Association (NFPA) standards. A copy of the NFPA standard Chimneys, Fireplaces, Vents, and Solid Fuel Burning Appliances may be purchased from the National Fire Protection Association, Inc., Batterymarch Park, Quincy, MA 02269.

FIGURE 12-FIREPLACE INSERT REPAIR PARTS. SEE LEDGER ON NEXT PAGE FOR PART NAMES AND PART NUMBERS.

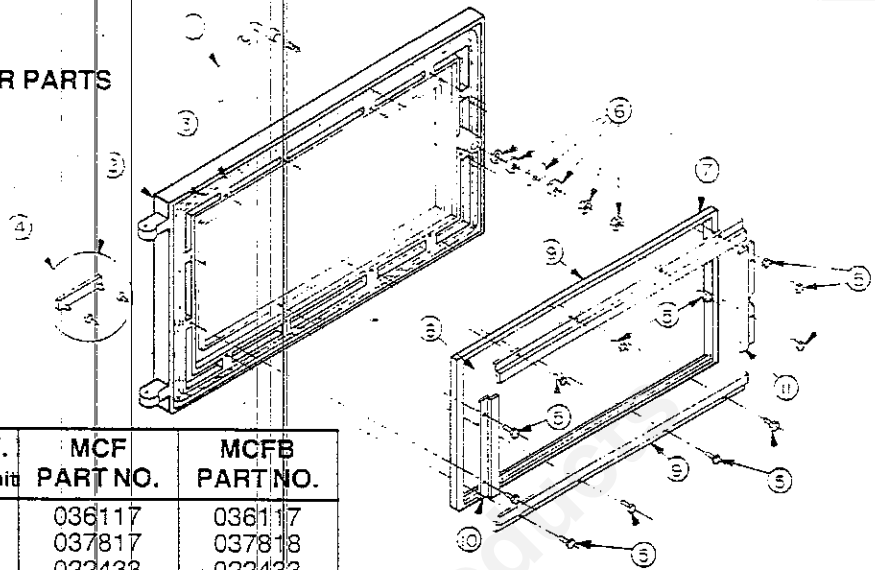


3 T1B

LEDGER FOR FIGURE 12. SEE FIGURE 12 FOR ILLUSTRATION OF PARTS.

KEY NO.	PART NAME	QTY. Per Unit	MCF PART NO.	MCFB PART NO.
1	Top Surround Assy.	1	025752	029433
2	Screw 1/4 X 1 2 Long Mach.	17		
3	Hood Surround Assy.	1	037618	037619
4	Screw 10-24 X 3/8 Mach.	2		
5	Washer No. 10 Lock Split	2		
6	Handle 3/4 Dia. Ball	2	019848	019848
7	Washer 1/4 Plate	3		
- 8	Damper Rod & Handle Ptd.	1	037767	037768
9	Clip Damper Tension	1	036907	036907
10	Catalyst Can Weld Assy.	1	036928	036928
11	Wrap (For 5 Combusts) Kit	1	037758	037758
12	Combustor Catalytic	5	036075	036075
13	Cover Plate Painted	1	015446	029449
14	Panel Left Side Assy.	1	037578	037589
15	Frame Glass	2	025640	025640
16	Corner Left Shroud Ptd.	1	037584	037591
17	Screw #8-32 X 3/8 Ph. Black	4		
18	Handle Door	1	TG10718	TG10718
19	Standoff Handle	2	TG10857	TG10857
20	Door Shroud Ptd.	1	037586	037593
21	Corner Right Shroud Ptd.	1	037585	037592
22	Door (Ash) & Handle Assy. (See Fig. 14 For Components)	1	037780	037781
23	Door (Feed) & Handle Assy. (See Fig. 13 For Components)	1	037777	037778
24	Pin Hinge	2	027830	027830
25	Pin Hinge (Brass Plated)	2	026345	026345
26	Insulation Bagged Assy.	1	034690	034690
27	Retainer Ash Ptd.	1	037783	037784
28	Pan Ash Assy.	1	011777	011777
29	Blower Right Assy.	1	036961	036961
30	Grate	2	009133	009133
31	Blower Left Assy.	1	036377	036377
32	Connector Conduit	2	008611	008611
33	Harness Assy.	1	030709	030709
34	Key Cotter 1/16 Dia. X 3/4	1		
35	Linkage Bypass Damper Ptd.	1	039080	039082
36	Screw 1/4-20 X 1 2 Mach	2		
37	Handle Bypass Damper Ptd.	1	039081	039083
38	Control Fan Thermostat	1	027124	027124
39	Insulation 1-1/2 X 2 X 7/2	1	027588	027588
40	Fasteners Side Panel Kit	1	029236	029236
41	Panel Right Side Assy.	1	037579	037590
42	Knob	1	011656	011656
43	Speed Control Assy.	1	030417	030417
44	Switch Rocker	1	015426	015426
45	Damper Inlet Air Assy.	1	036963	036963
46	Cordset/Cover Plate Assy.	1	016186	029450
47	Power Source Wiring Assy.	1	028107	028107
48	Bumper Plug	2	P6108	P6108
49	Screw 8-32 X 1/4 Pan Hd.	1	037566	037566
50	Pin 2-1/2" Long Knurled * Purchase Locally	1	038157	038157

FIGURE 13-FUEL FEED DOOR REPAIR PARTS

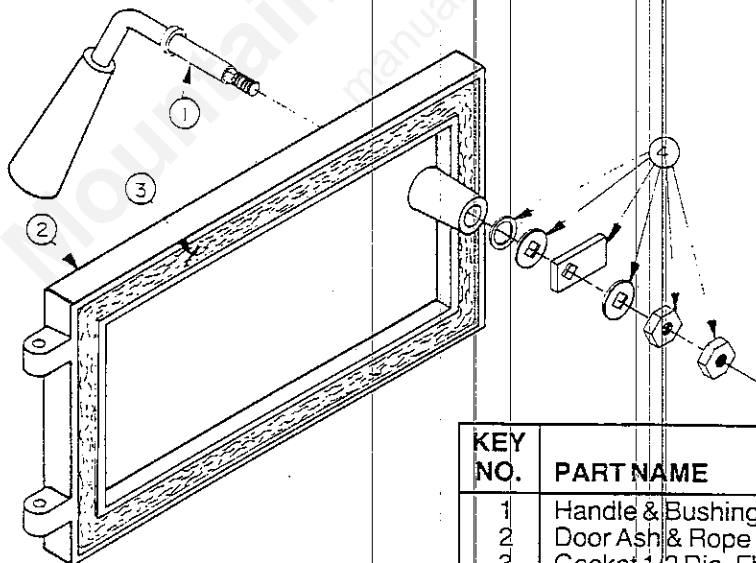


KEY NO.	PART NAME	QTY. Per Unit	MCF PART NO.	MCFB PART NO.
1	Handle & Bushing Assy.	1	036117	036117
2	Door Feed Brs. w/ Rope Ptd.	1	037817	037818
3	Gasket 1/2 Dia. Fbrgl Rope	1	022433	022433
4	King Logo & Fasteners	1	037815	037815
5	Screw 1/4 x 1/2 Long Mach	12		
6	Latch & Latch Fasteners	1	026029	026029
7	Gasket Glass	1	037801	037801
8	Glass Ceramic	1	024320	024320
9	Retainer Glass (Top & Btm)	2	018175	018175
10	Retainer Glass (Right)	1	018177	018177
11	Retainer Glass (Left)	1	018176	018176

NOTE: The Complete MCF Fuel Feed Door Assembly May Be Ordered By Part Number 037777 Or Individual Components May Be Ordered As Described Above.

NOTE: The Complete MCFB Fuel Feed Door Assembly May Be Ordered By Part Number 037778 Or Individual Components May Be Ordered As Described Above.

FIGURE 14-ASH DOOR REPAIR PARTS



KEY NO.	PART NAME	QTY. Per Unit	MCF PART NO.	MCFB PART NO.
1	Handle & Bushing Assy.	1	036950	036950
2	Door Ash & Rope Assy.	1	037792	037793
3	Gasket 1/2 Dia. Fbrgl Rope	1	009535-04	009535-04
4	Latch & Latch Fasteners	1	026029	026029

NOTE: The Complete MCF Ash Door Assembly May Be Ordered By Using Part Number 037780 Or Individual Components May Be Ordered As Described Above.

NOTE: The Complete MCFB Ash Door Assembly May Be Ordered By Using Part Number 037781 Or Individual Components May Be Ordered As Described Above.