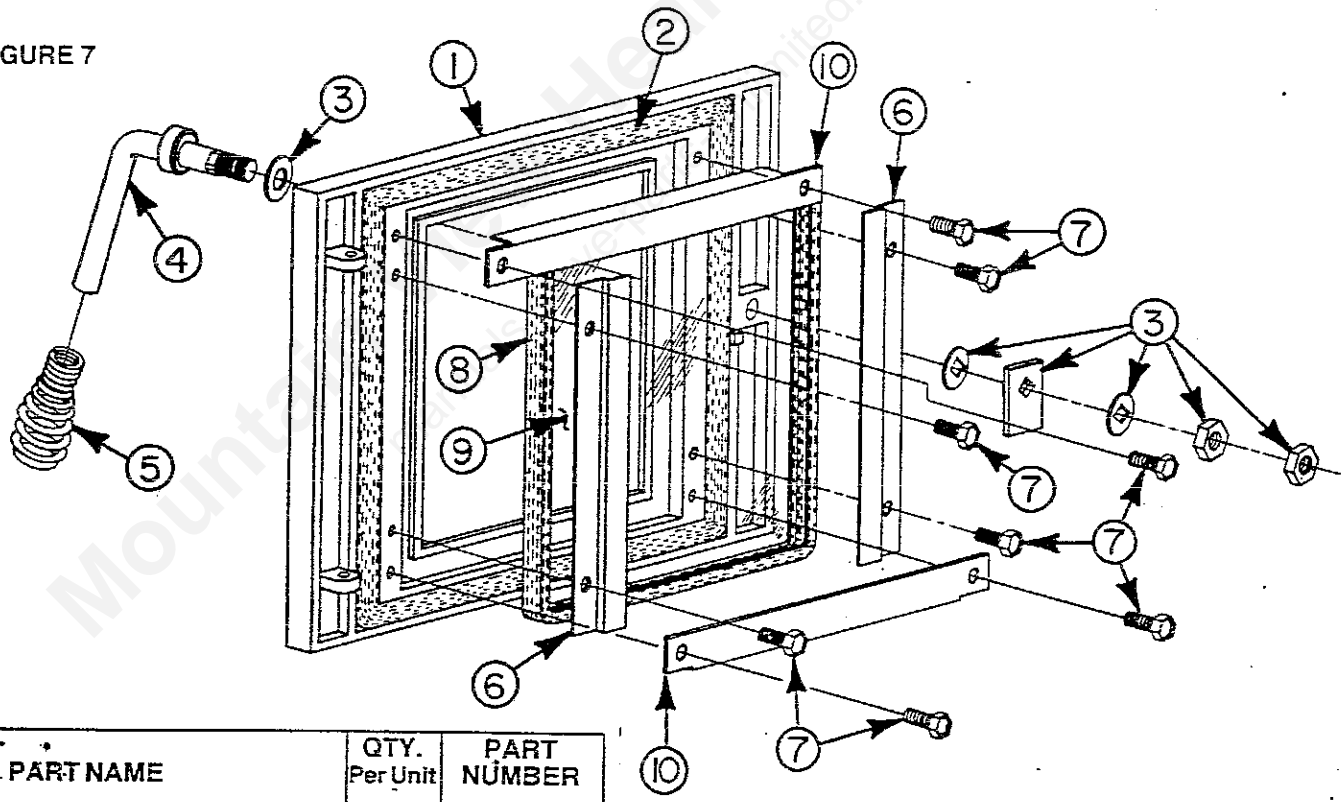


16. Don't use an unlisted or poorly constructed or maintained chimney to vent this heater.
17. Don't use galvanized pipe, steel pipe less than 24 gauge, or pipe of a diameter smaller than 6" as a chimney connector.
18. Don't store ashes in combustible containers nor store them near combustible materials nor dispose of them until they have completely cooled.
19. Don't neglect to inspect regularly and maintain the door gaskets and latching mechanisms to assure the intended tightness of the fire chamber.
20. Don't install the heater without a noncombustible floor covering beneath the heater.
21. Don't install the heater or chimney connector at clearances to combustibles less than those recommended in this manual.
22. Don't store your fuel supply closer than 36 inches from the heater.
23. Don't subject the heater to the intense heat of a large fire the first three times the heater is used but build moderate fires to allow the materials to cure and adjust.
24. Don't burn improper fuels or refuse in this heater. Burning improper fuels or refuse in this heater can be hazardous and damaging to the heater.
25. Don't install this heater in a chimney that is used by another appliance.
26. Don't install the chimney connector in a manner that will allow moisture to leak out of the chimney connector or collect in the chimney.
27. Don't allow ashes to build up inside the heater.
28. Don't burn green or wet wood in this heater.
29. Don't burn wood that has been soaked in salt water in this heater.
30. Don't use aluminum or transite lined flues for venting this heater.
31. Don't neglect to clean and inspect your chimney regularly.

FIGURE 7



KEY NO.	PART NAME	QTY. Per Unit	PART NUMBER
1	Door Feed & Rope Assy.	1	026027
2	Rope Fiberglass	1	009535-01
3	Latch & Latch Fasteners	1	026029
4	Shaft Handle & Bushing	1	025355
5	Handle Spring	1	025322
6	Retainer Glass	2	018053
7	Screw 1/4-20 x 1/2 Lg Mach.	8	
8	Gasket Glass	1	018062
9	Glass Ceramic	1	018108
10	Retainer Glass (Top & Btm.)	2	026187
	* Purchase Locally		

**ORDER ALL REPAIR PARTS FROM YOUR KING DEALER BY SUPPLYING THE FOLLOWING INFORMATION:**

1. Part Name
2. Part Number (Not Key No.)
3. Model Number

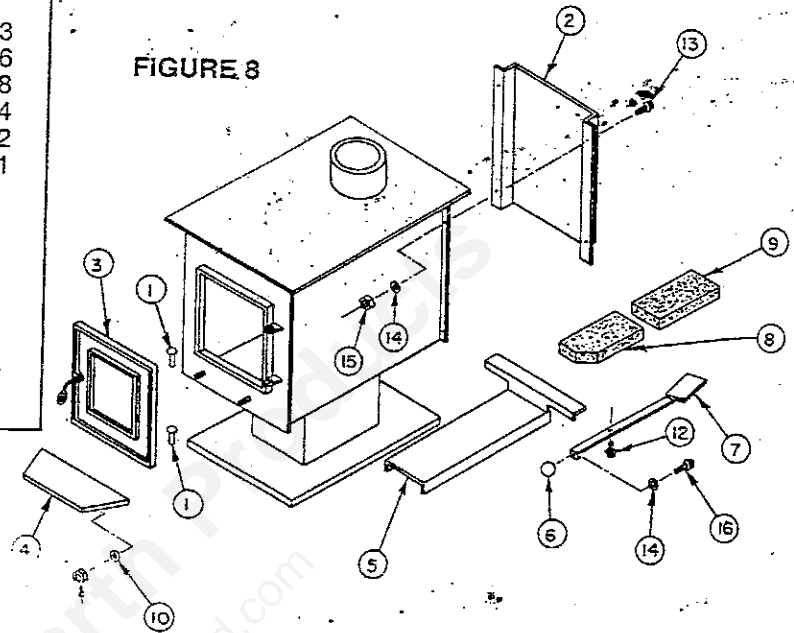
**NOTE:** The complete feed door assembly may be ordered by part number 026013 or individual components may be ordered as described above.

KEY NO.	PART NAME	QTY. Per Unit	PART NUMBER
1	Rivet Steel 1/4 x 1-1/4	2	P626
2	Shield Back Radiation Ptd.	1	025319
3	Door (Feed) & Handle Assy. (See Fig. 7 for Components)	1	026013
4	Lip Ash Enameled	-	025323
5	Tube, Air Inlet Assy. Ptd.	1	025326
6	Handle, 3/4 Dia. Ball	1	019848
7	Slide Air Ptd.	1	026014
8	Brick Ceramic (Notched)	2	025202
9	Brick Ceramic	2	004911
10	Washer, 1/4 Lock	2	*
11	Nut 1/4-20	2	*
12	Screw, 1/4-20 x 1/2	1	*
13	Screw 10-24 x 3/4	4	*
14	Washer, No. 10 Lock	5	*
15	Nut, No. 10-24	4	*
16	Screw, 10-24 x 3/8 Mach.	1	*
	Bricks (Complete Set)		026011
	* Purchase Locally		

ORDER ALL REPAIR PARTS FROM YOUR KING DEALER BY SUPPLYING THE FOLLOWING INFORMATION:

1. Part Name
2. Part Number (Not Key No.)
3. Model Number

FIGURE 8



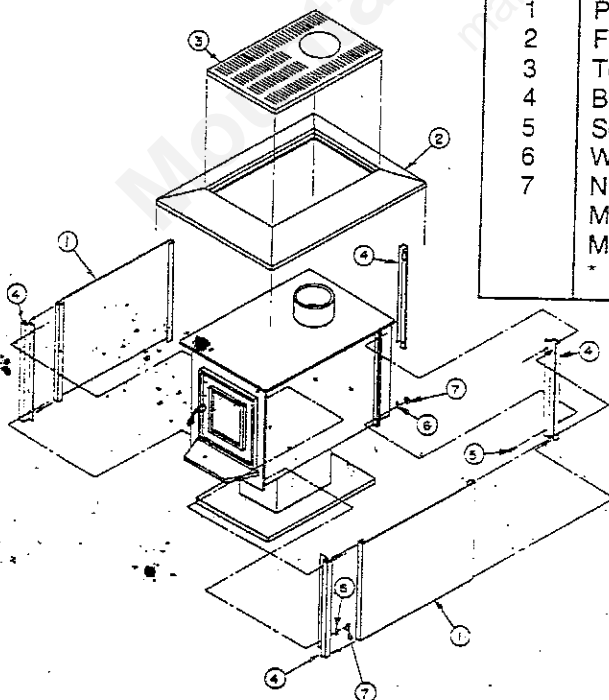
## OPTIONAL ACCESSORIES

### MODEL MI1B OR MI1R PANEL KITS

The use of either the MI1B or the MI1R panel kits will enhance the appearance of your MI1 heater and will reduce the minimum clearances of the heater to combustibles as noted elsewhere in this manual.

The MI1B and MI1R panel kits are identical in appearance except the MI1B top frame and bracket supports are enameled black and the MI1R top frame and bracket supports are enameled blue. The louvered top and the side panels of both kits are painted metallic charcoal.

KEY NO.	PART NAME	QTY. Per Unit	MI1B (Black) PART NO.	MI1R (Blue) PART NO.
1	Panel Side Ptd.	2	025590	025590
2	Frame Top Assy. Enameled	1	025594	025611
3	Top Louvered Assy. Ptd.	1	025591	025591
4	Bracket Support Enameled	4	025592	025609
5	Screw 10-24 x 3/4	4	*	*
6	Washer Lock Split No. 10	8	*	*
7	Nut 10-24 Hex	8	*	*
	MI1B Package Complete	1	025067	--
	MI1R Package Complete	1	--	025608
	* Purchase Locally			



ORDER ALL REPAIR PARTS FROM YOUR KING DEALER BY SUPPLYING THE FOLLOWING INFORMATION:

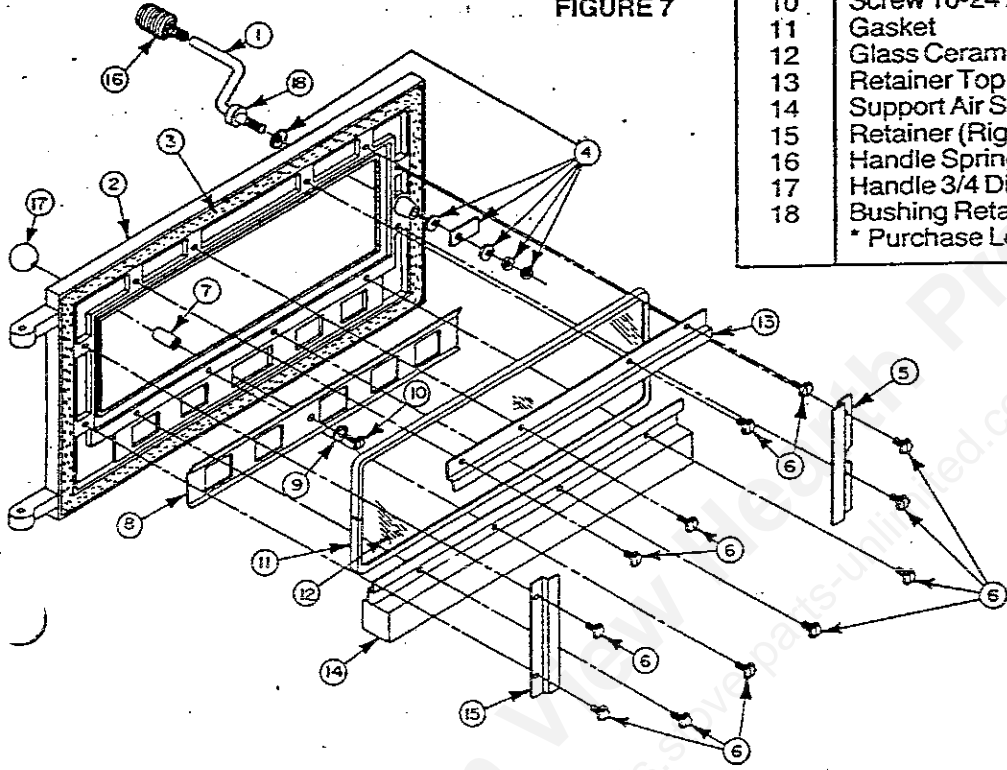
1. Part Name
2. Part Number (Not Key No.)
3. Model Number

NOTE: The complete feed door assembly may be ordered by part number 026008 or individual components may be ordered as described above.

ORDER ALL REPAIR PARTS FROM YOUR KING DEALER BY SUPPLYING THE FOLLOWING INFORMATION:

1. PART NAME
2. PART NUMBER (Not Key No.)
3. MODEL NUMBER

FIGURE 7



KEY NO.	PART NAME	QTY. Per Unit	PART NUMBER
1	Shaft Handle & Bushing	1	022258
2	Door Feed & Rope Assy.	1	020049
3	Rope Fiberglass	1	022433
4	Latch & Latch Fasteners	1	018902
5	Retainer Glass (Left)	1	018176
6	Screw 1/4 x 1/2 Long Mach.	12	
7	Spacer No. 10 x 7/16	1	P5138
8	Slide Air Painted	1	019897
9	Washer Lock Split No. 10	1	
10	Screw 10-24 x 3/4 Mach.	1	
11	Gasket	1	018311
12	Glass Ceramic	1	018421
13	Retainer Top	1	018175
14	Support Air Slide	1	026006
15	Retainer (Right)	1	018177
16	Handle Spring	1	022186
17	Handle 3/4 Dia. Ball	1	019848
18	Bushing Retainer	1	018655
	* Purchase Locally		

MI2

MI2

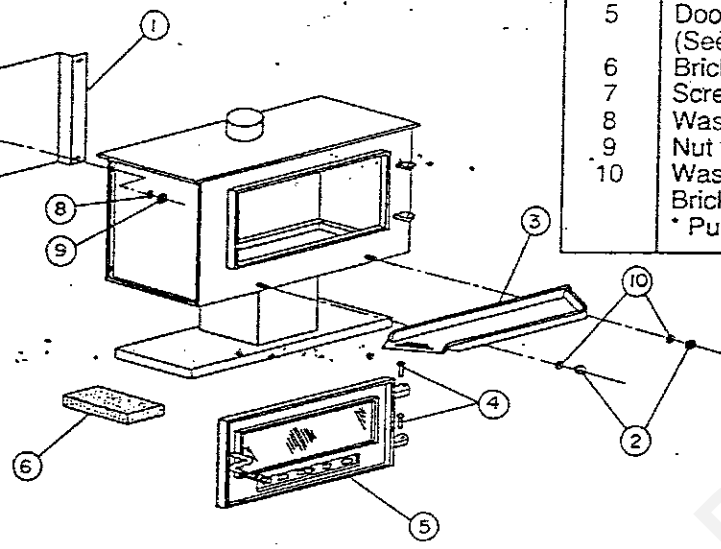
ORDER ALL REPAIR PARTS FROM YOUR KING DEALER BY SUPPLYING THE FOLLOWING INFORMATION:

PART NUMBER  
2253  
049  
43  
00  
76

ORDER ALL REPAIR PARTS FROM YOUR KING DEALER BY SUPPLYING THE FOLLOWING INFORMATION:

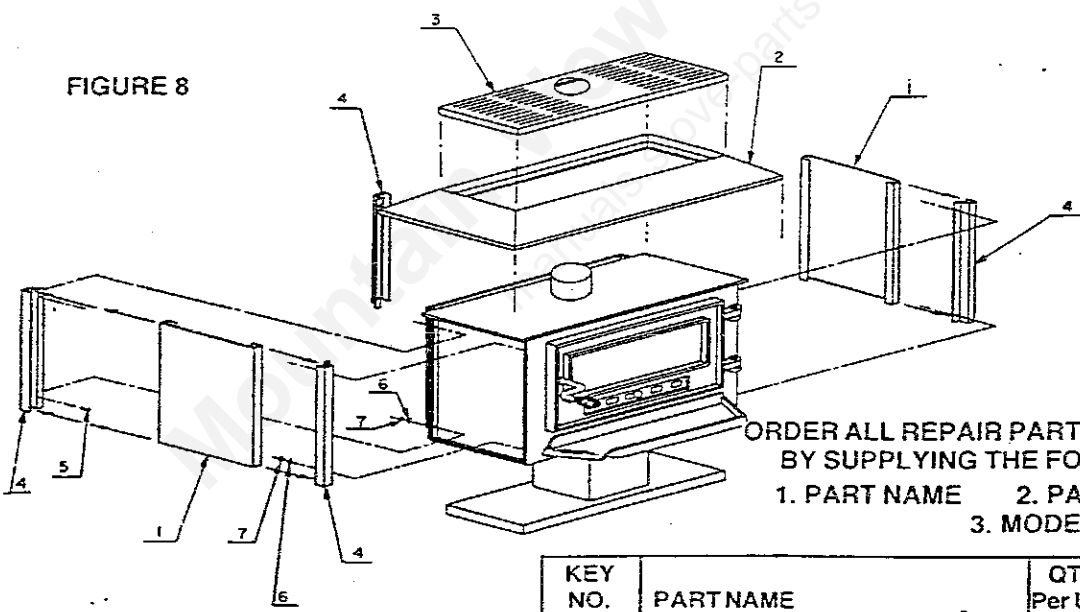
1. PART NAME
2. PART NUMBER (Not Key No.)
3. MODEL NUMBER

KEY NO.	PART NAME	QTY. Per Unit	PART NUMBER
1	Shield Back Radiation Ptd.	1	025369
2	Nut 5/16 - 18 Hex	2	
3	Lip Ash Ptd.	1	025940
4	Pin Door	2	P626
5	Door (Feed) & Handle Assy. (See Fig. 7 for Components)	1	026008
6	Brick Ceramic	7	004911
7	Screw 10-24 x 3/4	4	
8	Washer Lock Split No. 10	4	
9	Nut 10-24 Hex	4	
10	Washer 5/16 Lock Bricks (Complete Set)	2	025998
	* Purchase Locally	1	



## OPTIONAL ACCESSORIES

FIGURE 8



ORDER ALL REPAIR PARTS FROM YOUR KING DEALER BY SUPPLYING THE FOLLOWING INFORMATION:

1. PART NAME
2. PART NUMBER (Not Key No.)
3. MODEL NUMBER

The use of either the MI2B or the MI2R panel kits will enhance the appearance of your MI2 heater and will reduce the minimum clearances of the heater to combustibles as noted elsewhere in this manual.

The MI2B and MI2R panel kits are identical in appearance except the MI2B top frame and bracket supports are enameled black and the MI2R top frame and bracket supports are enameled blue. The louvered top and side panels of both kits are painted metallic charcoal.

KEY NO.	PARTNAME	QTY. Per Unit	MI2B (Black) PART NO.	MI2R (Blue) PART NO.
1	Panel Side Ptd.	2	025598	025598
2	Frame Top Assy. Enameled	1	025602	025607
3	Top-Louvered Assy. Ptd.	1	025599	025599
4	Bracket Support Enameled	4	025600	025605
5	Screw 10-24 x 3/4	4		
6	Washer Lock Split No. 10	8		
7	Nut 10-24 Hex	8		
	MI2B Package Complete	1	025069	
	MI2R Package Complete	1		025604
	* Purchase Locally			