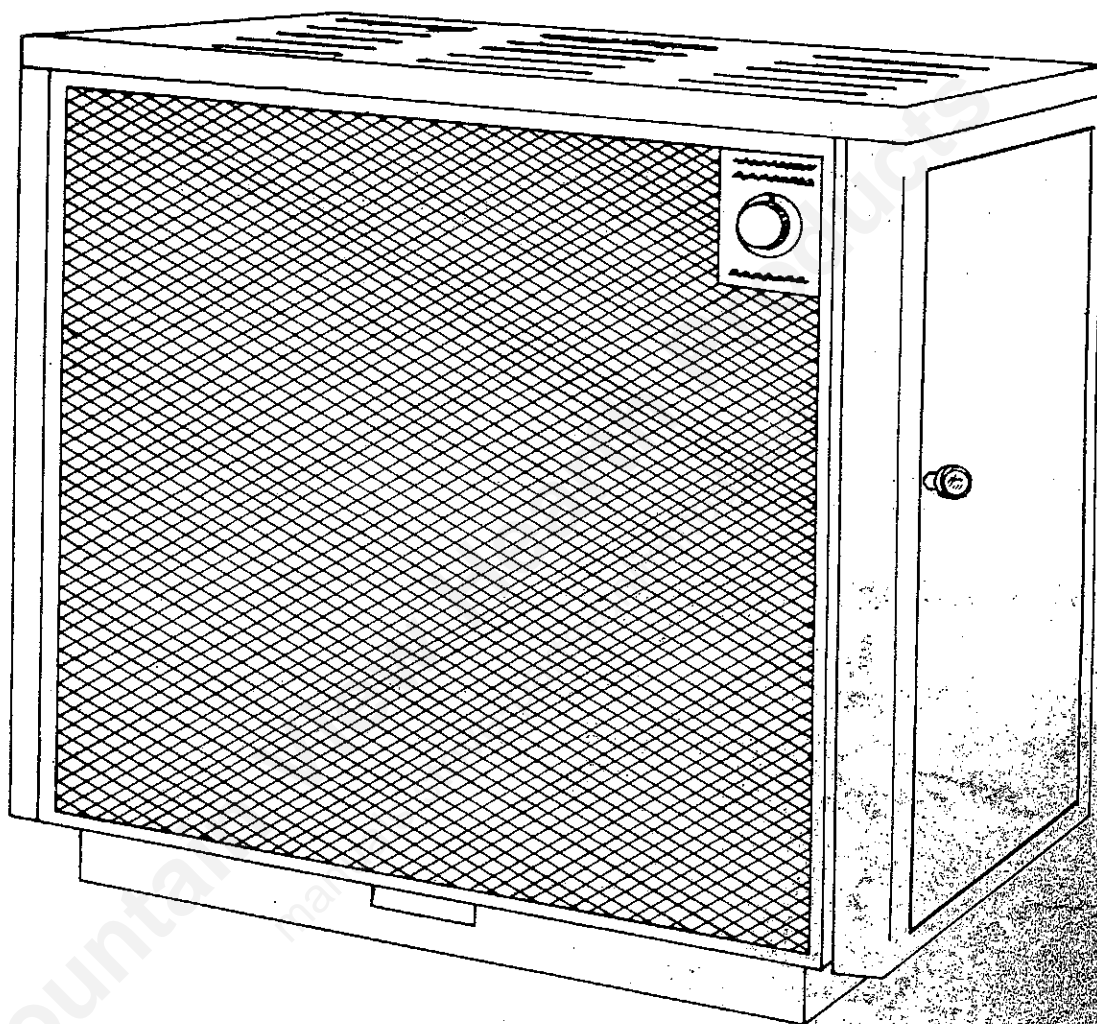


owners manual
Wonder Wood
AUTOMATIC WOOD BURNING CIRCULATOR



MODEL 2601

CAUTION:
Read Instructions Carefully
for Safe Operation

- Installation
- Operation
- Repair Parts

UNITED STATES STOVE COMPANY

SOUTH PITTSBURG, TENNESSEE 37380

85152 3/77

CONGRATULATIONS!

You've purchased one of America's Finest Woodburning Heaters.

By heating with wood you're helping **CONSERVE AMERICA'S ENERGY!**

Wood is our Renewable Energy Resource. Please do your part to preserve our wood supply.
Plant at least one tree each year. Future generations will thank you.

rules for safe installation and operation

1. Read these rules and the instructions carefully. Failure to follow them could cause malfunction of the heater. This could result in death, serious bodily injury, and/or property damage.
2. Check your local codes. The installation must comply with their rulings.
3. Do not install this heater in a mobile home or trailer.
4. Always connect this heater to a chimney and vent to the outside. Never vent to another room or inside a building.
5. Do not connect a wood burning heater to an aluminum Type B gas vent. This is not safe and is prohibited by the National Fire Protection Association Code. This heater requires a Class "A" masonry or All-Fuel pre-fabricated chimney. Pre-fabricated chimneys must be listed by Underwriters Laboratories (UL) Inc. The inside diameter must be at least 6 inches.
6. Make sure the chimney is high enough to give a good draft. Keep the chimney and pipe clean inside to avoid blockage. Otherwise smoking will result.
7. Provide air for combustion from the outside into the room where the heater is located. If the intake is not in the same room, the air must have free access to the room.
8. Keep the ashpit section free of excess ashes. Failure to do so will cause grate warpage and burn out.
9. CAST IRON PARTS MUST BE "SEASONED" TO AVOID CRACKING. BUILD ONLY SMALL FIRES DURING YOUR EARLY USE. Never build extremely large fires in your heater.
10. To prevent injury do not allow anyone who is unfamiliar with the operation to use the heater.

CAUTION: Do not touch the heater until it has cooled.

tools and materials needed

TOOLS

Pencil
6 Foot Folding Rule or Tape
Tin Snips
Drill, Hand or Electric
Drill Bit (For Sheet Metal Screws)

MATERIALS

6" Vent Pipe, 6" Elbow, Collar, Thimble; as required
1/2" Sheet metal screws
6" Inside diameter Class 'A' All-Fuel U. L. listed
factory built chimney or existing masonry chimney.

Fireproof base material, 3 ft. x 5 ft.

locating the heater

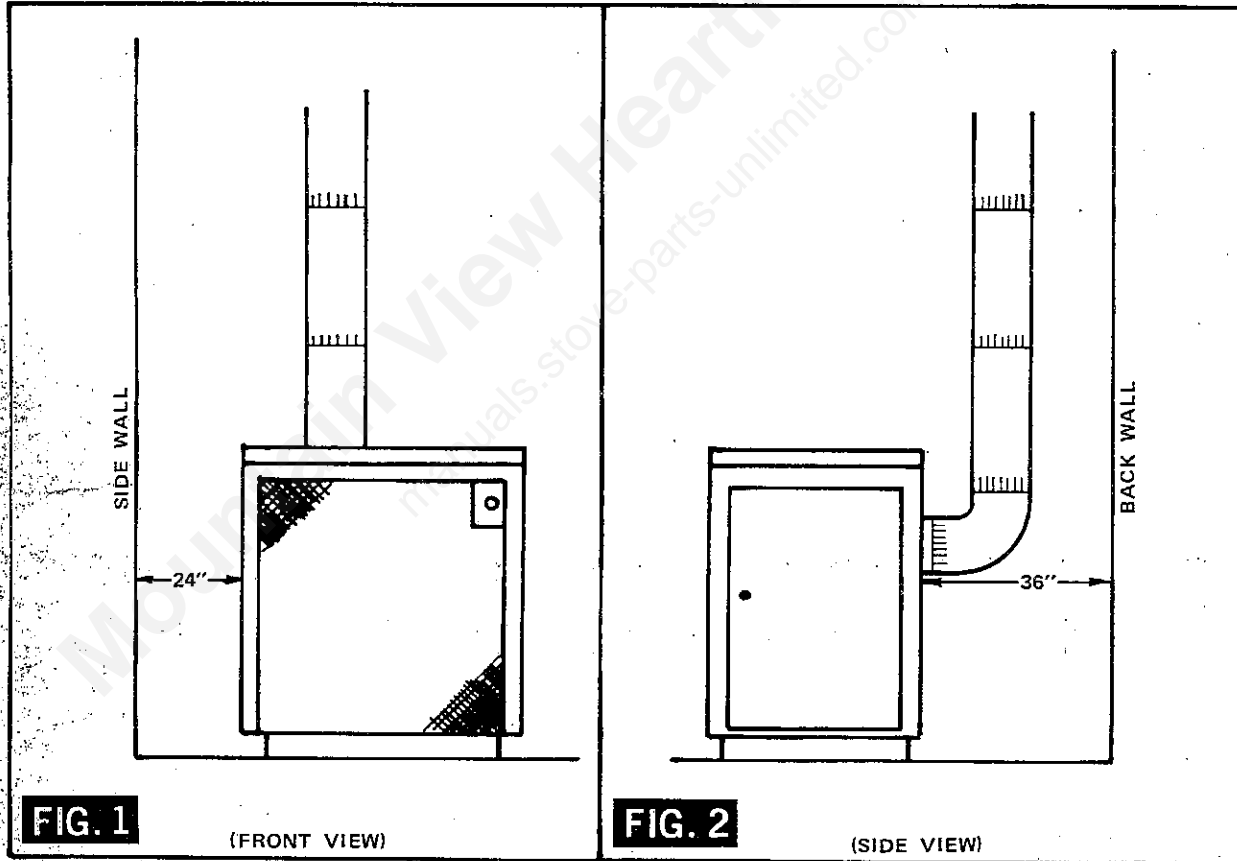
AS A LOCATION IS SELECTED, KEEP THE FOLLOWING IN MIND:

1. The chimney connection should be as short as possible. The heater must have its own chimney. Do not connect any other appliance to the same flue.
2. Place the heater on a fireproof base of brick, patio stone or other fireproof insulating material. The base should extend at least 18" beyond the door side of the heater and should extend under the flue pipe in the back.

If there is no chimney near where you wish to place the heater, you can use a UL Listed 6" Type "A" Prefabricated All-Fuel Chimney. (Fig. 4).

3. Check Figs. 1 and 2. You should have at least the clearances shown from the heater and the vent pipe to combustible surfaces.

MINIMUM CLEARANCE TO COMBUSTIBLE WALLS



installation

Look at Fig. 3. The vent pipe and fittings you will need to connect to a masonry chimney or a 6" ALL-FUEL CHIMNEY on the outside wall are shown.

If your ALL-FUEL CHIMNEY starts at the ceiling (Fig. 4) you will need a 6" elbow, and enough 6" pipe to reach the ceiling.

Connect the heater to the chimney. The crimped end of the vent pipe fits inside the heater flue collar. Additional pipe and elbow should be installed **CRIMPED END TOWARD THE HEATER**. This will allow any condensation in the flue to run back into the heater.

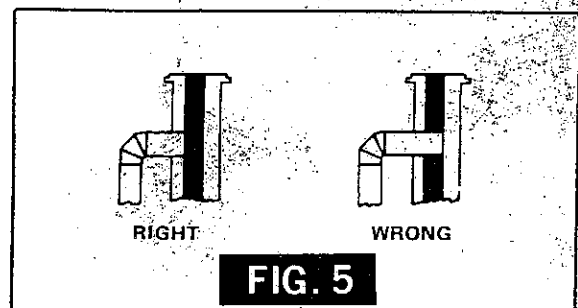
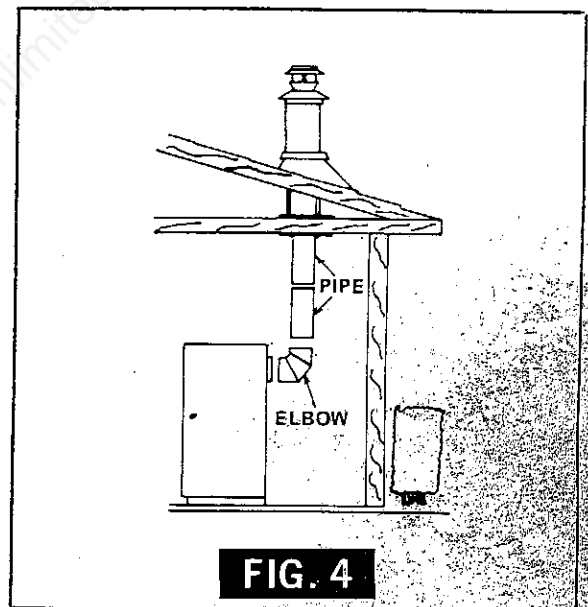
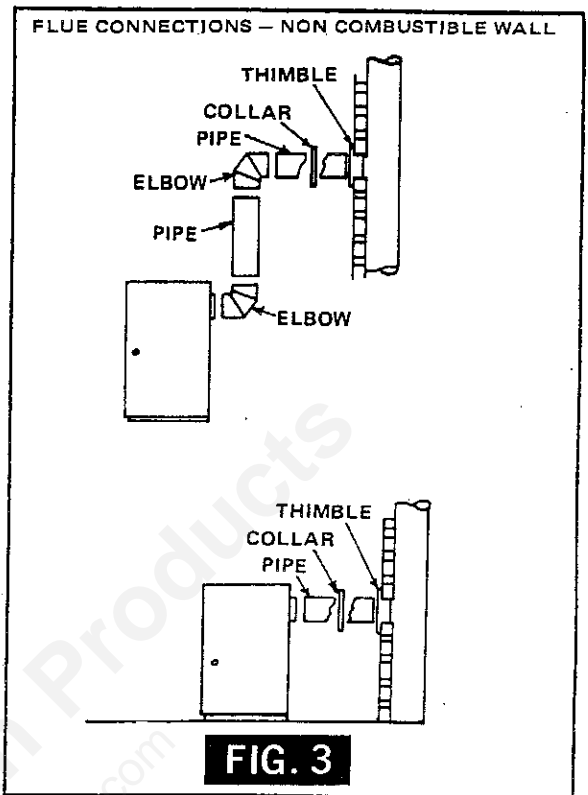
These rules apply to the vent pipe installation.

1. Avoid using more than 2 elbows.
2. Any horizontal pipe should be pitched upward toward the chimney at least 1/4 inch for each foot of horizontal run.
3. Be sure that you have at least 18 inches of clearance between the horizontal piping and the ceiling.
4. Be sure the pipe does not extend into the chimney flue (Fig. 5).

For better performance seal each vent pipe joint with furnace cement. Also seal the pipe at the chimney. Finally use 3 sheet metal screws at each joint to make the piping rigid.

NOTE: BEFORE FIRING HEATER

1. Remove plastic knob from inside of main door and install on outside.
2. Slide firebricks toward the rear so no gaps remain between them.



operation

1. Set thermostat on High to provide maximum draft.
2. Open feed door and lay the fire. Use ample kindling to insure a quick start.
3. Light fire and close feed door.
4. Set the thermostat to "High".
5. Set thermostat to maintain desired temperature in room. Medium setting is normally satisfactory. Set higher or lower for maximum comfort.

CAUTION

DO NOT OPERATE THIS HEATER WITH FEED OR ASH DOOR OPEN. THIS HEATER IS DESIGNED FOR THERMOSTATIC OPERATION. OPERATION WITH EITHER DOOR OPEN WILL OVERHEAT UNIT.

FUEL

USE HARDWOOD – 20" TO 24" LONG
Split wood and air dry (season) for 6 months

USE WOOD OR WOOD-LIKE MATERIALS ONLY
Do Not Use Coal – Coal or Charcoal
will destroy the Grates or Fire Box

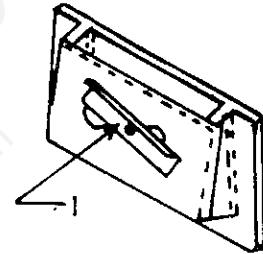
MINIMUM FIRE

When wood is burned very slowly for a long time, tars and distillates are formed. They are deposited on the inside of the vent pipe. These tars may ignite and burn.

The tar forming can be reduced. Adjust the "minimum fire" air shutter on the draft control. To reduce the tars, turn air shutter (No. 1) so that a larger opening is exposed.

NOTE: Increase the minimum fire only as needed. Increasing the minimum fire may cause over heating at "Low" thermostat setting.

FIG. 6



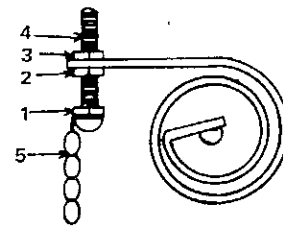
adjusting the thermostat

The thermostat control was calibrated at the factory. The location of the heater may require a change in calibration.

1. Operate heater as received. Follow the operating instructions.
2. If the room temperature is not satisfactory, the thermostat operating range may be changed as follows:
 - A. To increase the amount of heat at a "HIGH" setting, adjust the chain suspension bolt to increase the draft damper opening.
 - 1) Loosen lock nut (No. 2, Fig. 7) on under side of bi-metal approximately 1/4".
 - 2) Tighten lock nut (No. 3) on top of bi-metal to raise the adjusting bolt.
 - B. To decrease the amount of heat at "LOW" setting:
 - 1) Check fire and ash doors to be sure that they are closed tightly.
 - 2) Check the vent pipe to see that it is sealed in the flue collar.
 - 3) If no air leaks are found, adjust the chain suspension bolt to decrease draft damper opening.
 - a) Loosen lock nut No. 3, Fig. 7) on top of bi-metal approximately 1/4".
 - b) Tighten lock nut (No. 2) under bi-metal to lower the suspension bolt.

MORE THAN ONE RECALIBRATION MAY BE NECESSARY.

FIG. 7 RECALIBRATING THERMOSTAT



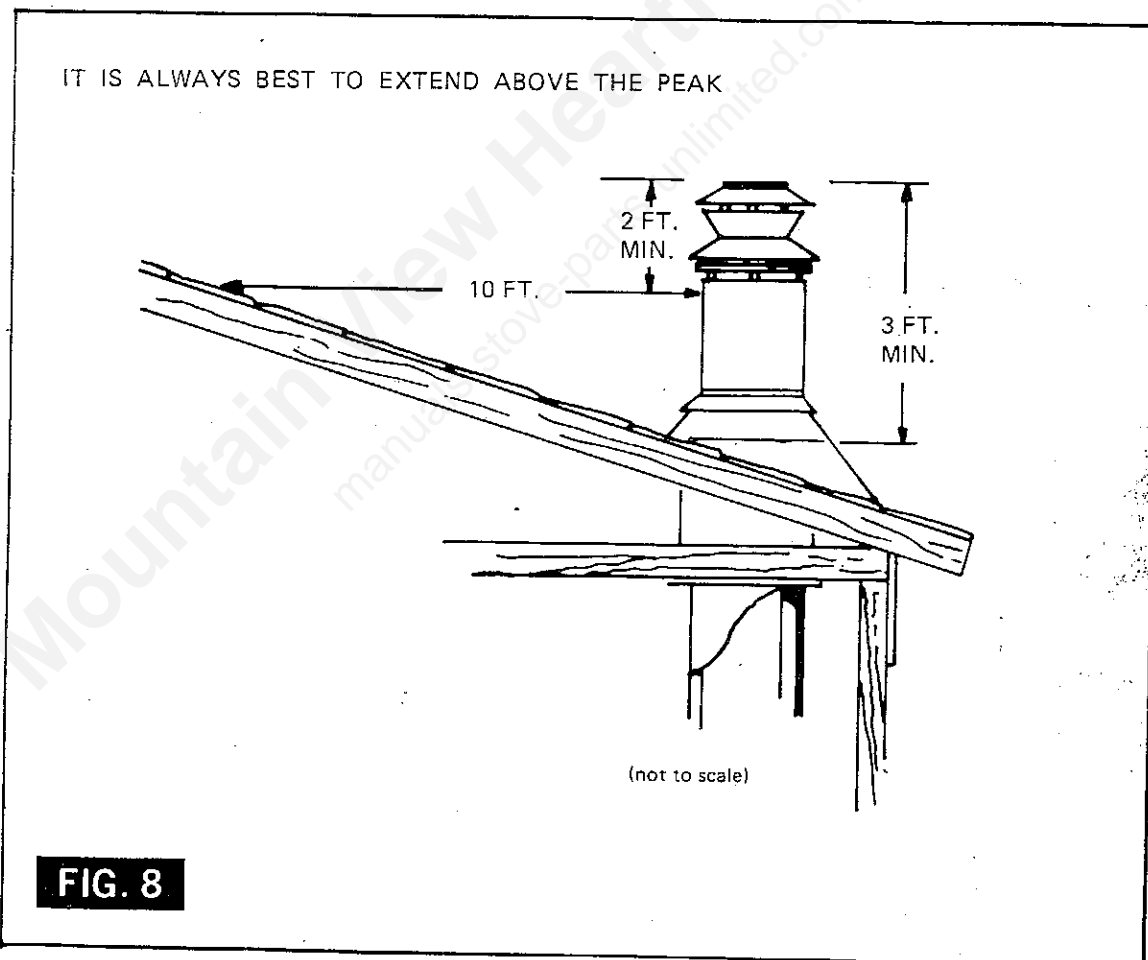
NOTE: At room temperature and "medium" setting, the draft door should be open approximately halfway, (3/4").

service hints

1. Do not expect a heater to draw. It is the chimney that creates the draft.
2. The vent pipe may be pushed into the chimney too far, stopping the draft.
3. Do not connect two heaters into the same chimney flue. If it cannot be avoided, be sure that one pipe is higher than the other so that the two openings will not be opposite each other.
4. The chimney used for a heater must not be used to ventilate the cellar or basement. If there is a cleanout opening at the base of the chimney, it must be closed tightly.
5. If the fire burns well but sometimes smokes or burns slowly it may be caused by the chimney top being lower than another part of the house or a nearby tree. The wind blowing over a house or a tree, falls on top of the chimney like water over a dam, beating down the smoke. The top of the chimney should be at least 3 feet above the roof and be at least 2 feet higher than any point of the roof within 10 feet. (Fig. 8).

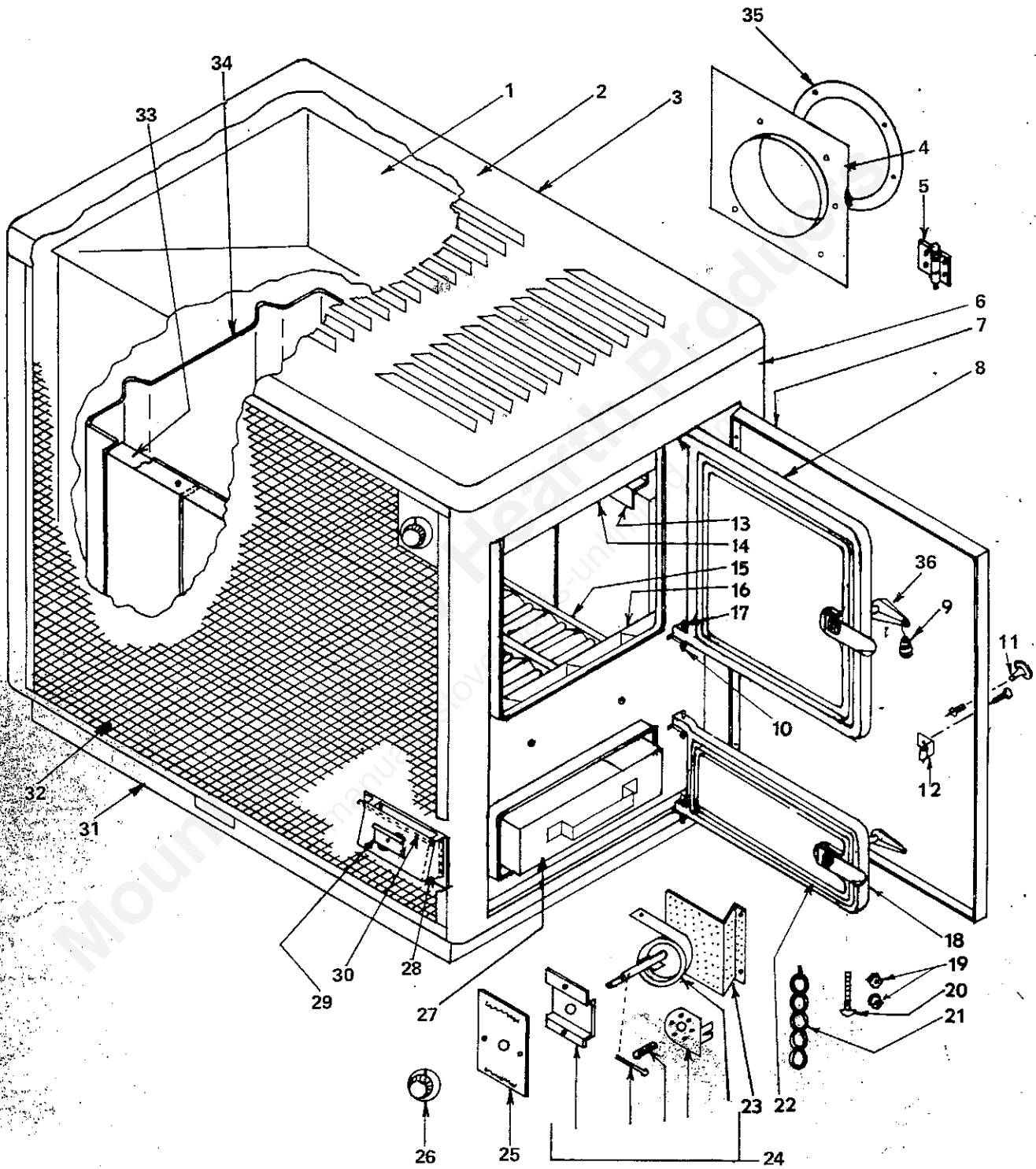
CARING FOR ENAMELED PARTS

This heater has enameled outside jacket. Enamel baked onto the steel or iron and is very serviceable, but it will not stand rough handling or abuse. When setting up your heater use care in handling. Clean with soap and warm water when heater is not hot. DO NOT use any acids or scouring soap, as these wear and dull the finish.



repair parts

AUTOMATIC WOODBURNING CIRCULATOR
MODEL NUMBER 2601



repair parts

AUTOMATIC WOODBURNING CIRCULATOR MODEL NUMBER 2601

Key No.	Part No.	Description
1	67169	Heat Jacket
2	65930	Cabinet Top
3	66440	Cabinet Back
4	66960	Flue Collar
5	89065	Door Hinge (2 req.)
6	67194	Cabinet Door Frame
7	67243	Cabinet Door
8	67367	Feed Door
9	89001	Coil Wire Handle
10	83819	Pin Clip (4 req.)
11	89062	Door Knob
12	83093	Stove Spring Latch
13	17350	Brick Top Retainer
14	21175	Smoke Curtain
15	40055	Grate (cast) (2 req.)
16	17120	Metal Liner Front
17	21430	Door Pin (4 req.)
18	67368	Ash Pit Door
19	83081	* Nut Hex. No. 6-32
20	83080	* Screw Round Head No. 6-32 1-1/2
21	89064	Chain
22	88042	Ceramic Glass Rope (73" for both doors)
23	17060	Thermostat Shield
24	67187	Thermostat Assembly
25	85079	Thermostat Dial Indicator
26	89130	Thermostat Knob
27	65980	Ash Pan
28	40075	Draft Damper Frame
29	67132	Draft Damper Control
30	17200	Draft Damper Pin
31	65960	Base Assembly
32	65950	Front Frame Assembly
33	89066	Fire Brick (10 req.)
34	17130	Metal Liner Back
35	88032	Flue Collar Gasket
36	LK-26	Door Latch Kit
+	66000	Cabinet Left Side
+	66080	Grate Support
+	17210	Smoke Curtain Hinge Pin
+	85152	Owners Manual

+ Not Illustrated

* Standard Hardware Item—May be purchased locally

owners manual

HOW TO ORDER REPAIR PARTS

THIS MANUAL WILL HELP YOU TO OBTAIN EFFICIENT, DEPENDABLE SERVICE FROM THE HEATER, AND ENABLE YOU TO ORDER REPAIR PARTS CORRECTLY.

KEEP IN A SAFE PLACE FOR FUTURE REFERENCE.

WHEN WRITING, ALWAYS GIVE THE FULL MODEL NUMBER WHICH IS ON THE NAMEPLATE ATTACHED TO THE BACK OF THE HEATER.

WHEN ORDERING REPAIR PARTS, ALWAYS GIVE THE FOLLOWING INFORMATION AS SHOWN IN THIS LIST:

1. The PART NUMBER
2. The PART DESCRIPTION
3. The MODEL NUMBER
4. The NAME of ITEM

UNITED STATES STOVE COMPANY
P. O. Box 151
South Pittsburg, Tn. 37380