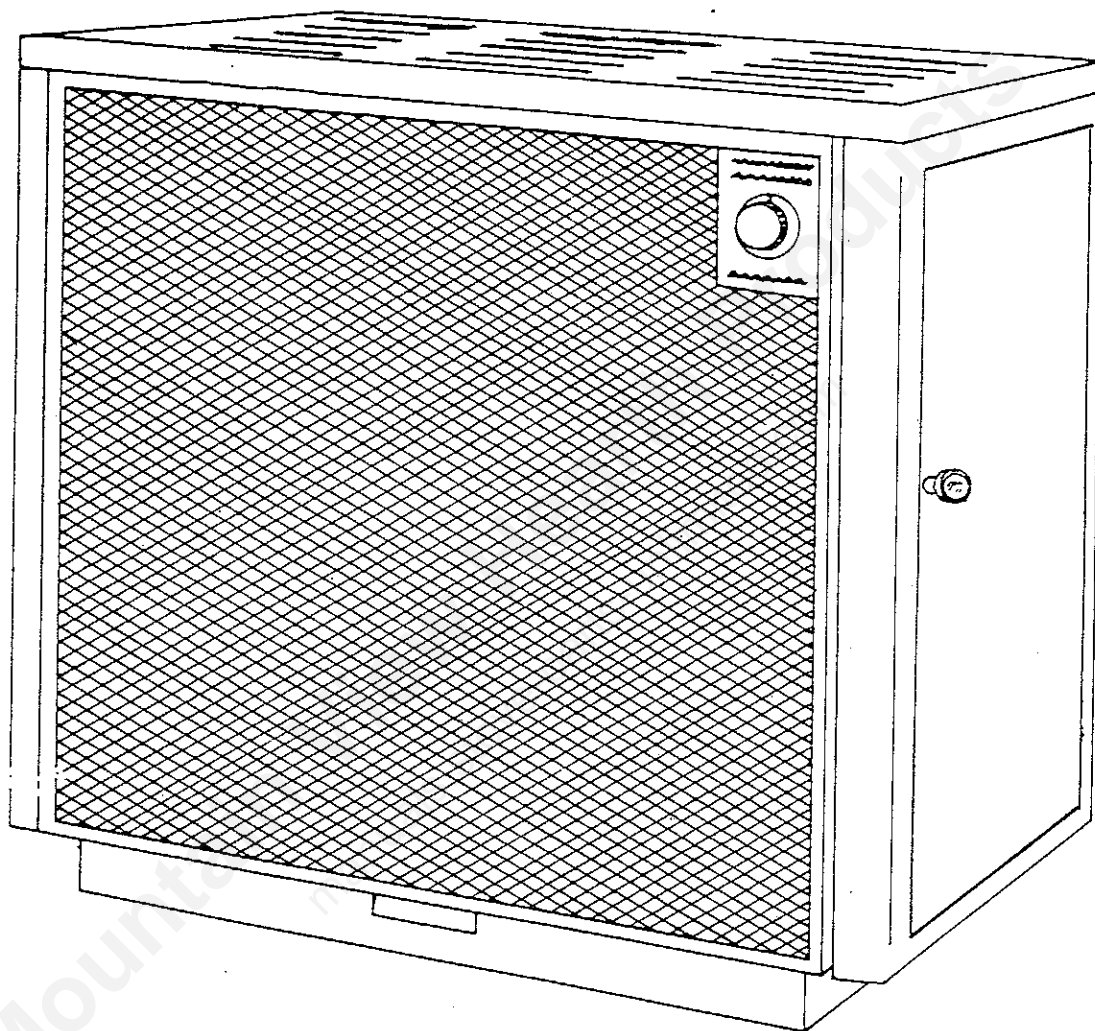


owners manual  
*Wonder Wood*  
**AUTOMATIC WOOD BURNING CIRCULATOR**



**MODEL 2601**

**CAUTION:**  
Read Instructions Carefully  
for Safe Operation

- Installation
- Operation
- Repair Parts



**UNITED STATES STOVE COMPANY**

South Pittsburg, TN. 37380  
Home heating equipment made in America since 1869

# rules for safe installation and operation

1. Read these rules and the instructions carefully. Failure to follow them could cause a malfunction of the heater. This could result in death, serious bodily injury, and/or property damage.
2. Check your local codes. The installation must comply with their rulings.
3. Do not install this heater in a mobile home or trailer.
4. Always connect this heater to a chimney and vent to the outside. Never vent to another room or inside a building.
5. Do not connect a wood burning heater to an aluminum Type B gas vent. This is not safe and is prohibited by the National Fire Protection Association Code. This heater requires a Class "A" masonry or All-Fuel pre-fabricated chimney. Pre-fabricated chimneys must be listed by Underwriters Laboratories (UL) Inc. The inside diameter must be at least 6 inches.
6. Make sure the chimney is high enough to give a good draft. Keep the chimney and pipe clean inside to avoid blockage. Otherwise smoking will result.
7. Provide air for combustion from the outside into the room where the heater is located. If the intake is not in the same room, the air must have free access to the room.
8. Keep the ashpit section free of excess ashes. Failure to do so will cause grate warpage and burn out.
9. CAST IRON PARTS MUST BE "SEASONED" TO AVOID CRACKING. BUILD ONLY SMALL FIRES DURING YOUR EARLY USE. Never build extremely large fires in your heater.
10. To prevent injury do not allow anyone who is unfamiliar with the operation to use the heater.
11. For further information on using your heater safely, obtain a copy of the National Fire Protection Association publication "Using Coal and Wood Stoves Safely" NFPA No. Hs8-1974. The address of the NFPA is 470 Atlantic Ave., Boston, MA 02210.

CAUTION: Do not touch the heater until it has cooled.

---

## tools and materials needed

### TOOLS

Pencil  
6 Foot Folding Rule or Tape  
Tin Snips  
Drill, Hand or Electric  
Drill Bit (For Sheet Metal Screws)

### MATERIALS

6" Vent Pipe, 6" Elbow, Collar, Thimble; as required  
1/2" Sheet metal screws  
6" Inside diameter Class "A" All-Fuel U. L. listed  
factory built chimney or existing masonry chimney.

Noncombustible base material, 3 ft. x 5 ft.

# locating the heater

AS A LOCATION IS SELECTED, KEEP THE FOLLOWING IN MIND:

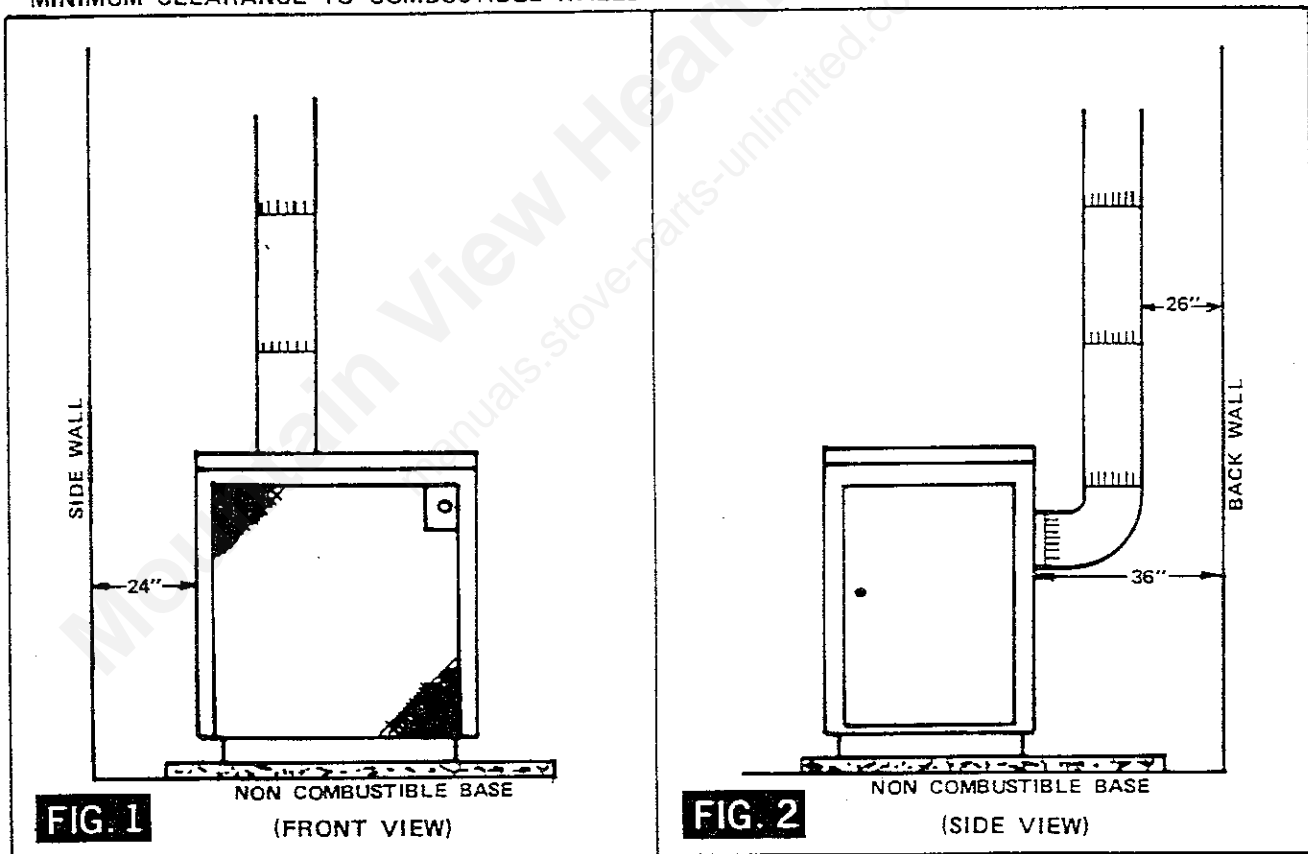
1. The chimney connection should be as short as possible. The heater must have its own chimney. Do not connect any other appliance to the same flue.

If there is no chimney near where you wish to place the heater, you can use a UL Listed 6" Type "A" Prefabricated All-Fuel Chimney. (Fig. 4).

2. Place the heater on a base of brick, patio stone or other non-combustible material. The base should extend at least 18" beyond the door side of the heater and should extend under the flue pipe in the back.

3. Check Figs. 1 and 2. You should have at least the clearances shown from the heater and the vent pipe to combustible surfaces.

## MINIMUM CLEARANCE TO COMBUSTIBLE WALLS



### NOTE: BEFORE FIRING HEATER

1. Remove plastic knob from inside of main door and install on outside.
2. Slide firebricks toward the rear so no gaps remain between them.

# chimney connection

## MASONRY CHIMNEY

Look at Fig. 3. The vent pipe and fittings you will need to connect to a masonry chimney are shown.

Do not connect two heaters into the same chimney flue.

The chimney used for a heater must not be used to ventilate the cellar or basement. If there is a cleanout opening at the base of the chimney, it must be closed tightly.

## ALL-FUEL CHIMNEY

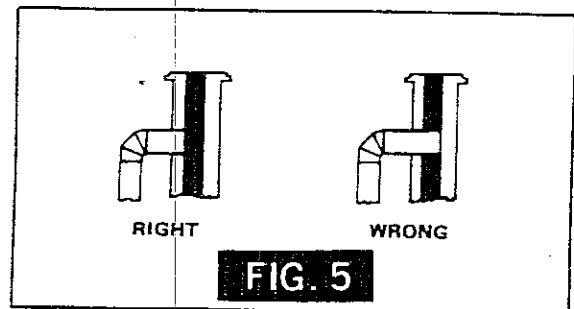
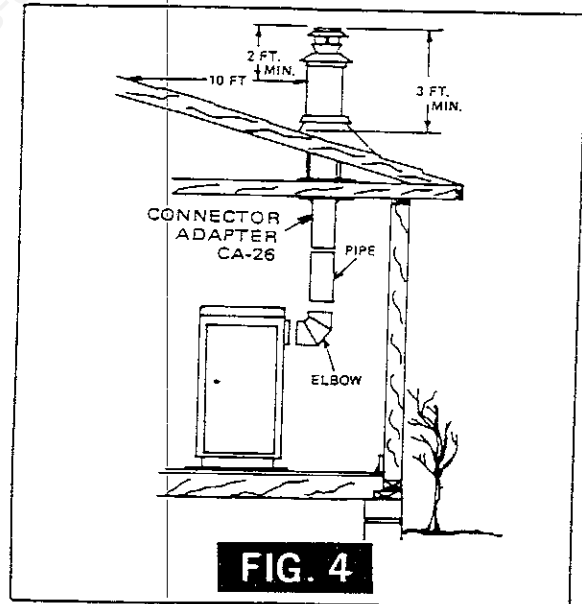
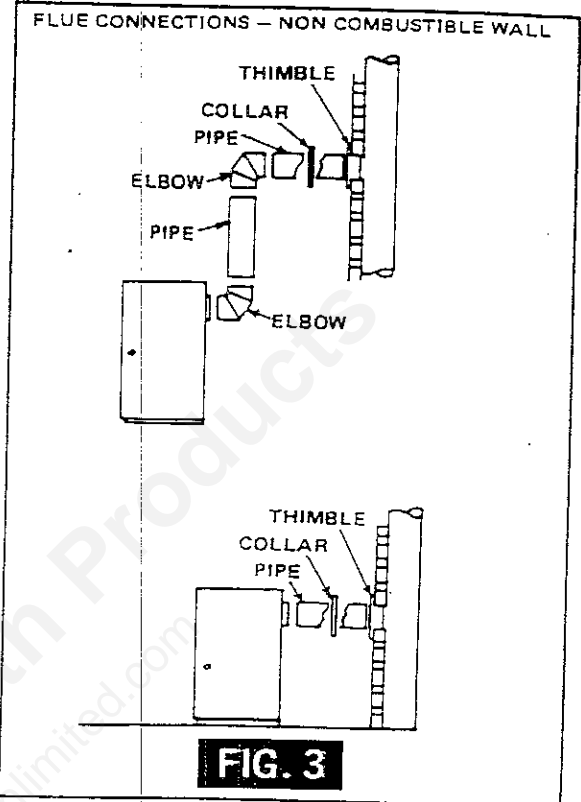
Carefully follow chimney manufacturer's instructions. Use only TYPE "A" ALL-FUEL CHIMNEY.

If your ALL-FUEL CHIMNEY starts at the ceiling (Fig. 4) you will need a 6" elbow, and enough 6" pipe to reach the ceiling.

The top of the chimney should be at least 3 feet above the roof and be at least 2 feet higher than any point of the roof within 10 feet (Fig. 4).

## RULES FOR STOVEPIPE INSTALLATION

1. The crimped end of the stovepipe fits inside the heater flue collar. Additional pipe and elbow should be installed CRIMPED END TOWARD THE HEATER. This will allow any condensation in the flue to run back into the heater.
2. Any horizontal pipe should be pitched upward toward the chimney at least 1/4 inch for each foot of horizontal run.
3. You must have at least 18 inches of clearance between any horizontal piping and the ceiling.
4. The pipe cannot extend into the chimney flue (Fig. 5)
5. Seal each vent pipe joint with furnace cement. Also seal the pipe at the chimney.
6. Use 3 sheet metal screws at each joint to make the piping rigid.
7. Do not put a damper in the stovepipe.



# operation

1. Set thermostat on High to provide maximum draft.
2. Open feed door and lay the fire. Use ample kindling to insure a quick start.
3. Light fire and close feed door.
4. Set the thermostat to "High".
5. Set thermostat to maintain desired temperature in room. Medium setting is normally satisfactory. Set higher or lower for maximum comfort.
6. Do not add wood above the firebrick.

## CAUTION

DO NOT OPERATE THIS HEATER WITH FEED OR ASH DOOR OPEN. THIS HEATER IS DESIGNED FOR THERMOSTATIC OPERATION. OPERATION WITH EITHER DOOR OPEN WILL OVERHEAT UNIT.

## FUEL

USE HARDWOOD — 20" TO 24" LONG  
Split wood and air dry (season) for 6 months

USE WOOD OR WOOD-LIKE MATERIALS ONLY  
Do Not Use Coal — Coal or Charcoal  
will destroy the Grates or Fire Box

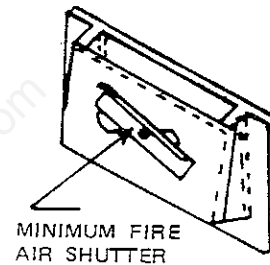
## MINIMUM FIRE

When wood is burned very slowly for a long time, tars and distillates are formed. They are deposited on the inside of the vent pipe. These tars may ignite and burn.

The tar forming can be reduced. Adjust the "minimum fire air shutter" on the draft control. To reduce the tars, turn air shutter so that a larger opening is exposed.

NOTE: Increase the minimum fire only as needed. Increasing the minimum fire may cause over heating at "Low" thermostat setting.

FIG. 6

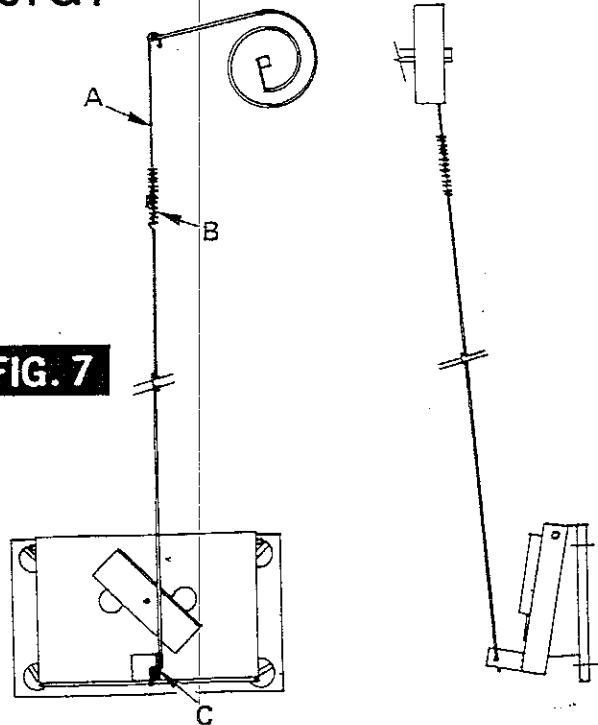


# adjusting the thermostat

The thermostat control was calibrated at the factory. The location of the heater may require a change in calibration. Calibration adjustments should be made at room temperature.

1. If the room temperature is not satisfactory, the thermostat operating range may be changed as follows:
  - A. To increase the amount of heat at a "HIGH" setting, adjust the wire linkage to increase the draft damper opening.
    1. Unhook linkage wire at Point "C".
    2. Take Point "A" in left hand and "B" in right hand, then turn "B" clockwise approximately 3 turns.
    3. Then hook linkage wire back to draft control damper door at Point "C".
  - B. To decrease the amount of heat at "LOW" setting:
    1. Check feed and ash doors to be sure that they are closed tightly.
    2. Check the vent pipe to see that it is sealed in the flue collar and at all joints.
    3. If no air leaks are found, adjust linkage as in (A) except turn "B" counter clockwise approximately 3 turns.
3. More than one recalibration may be necessary to achieve proper calibration.

FIG. 7



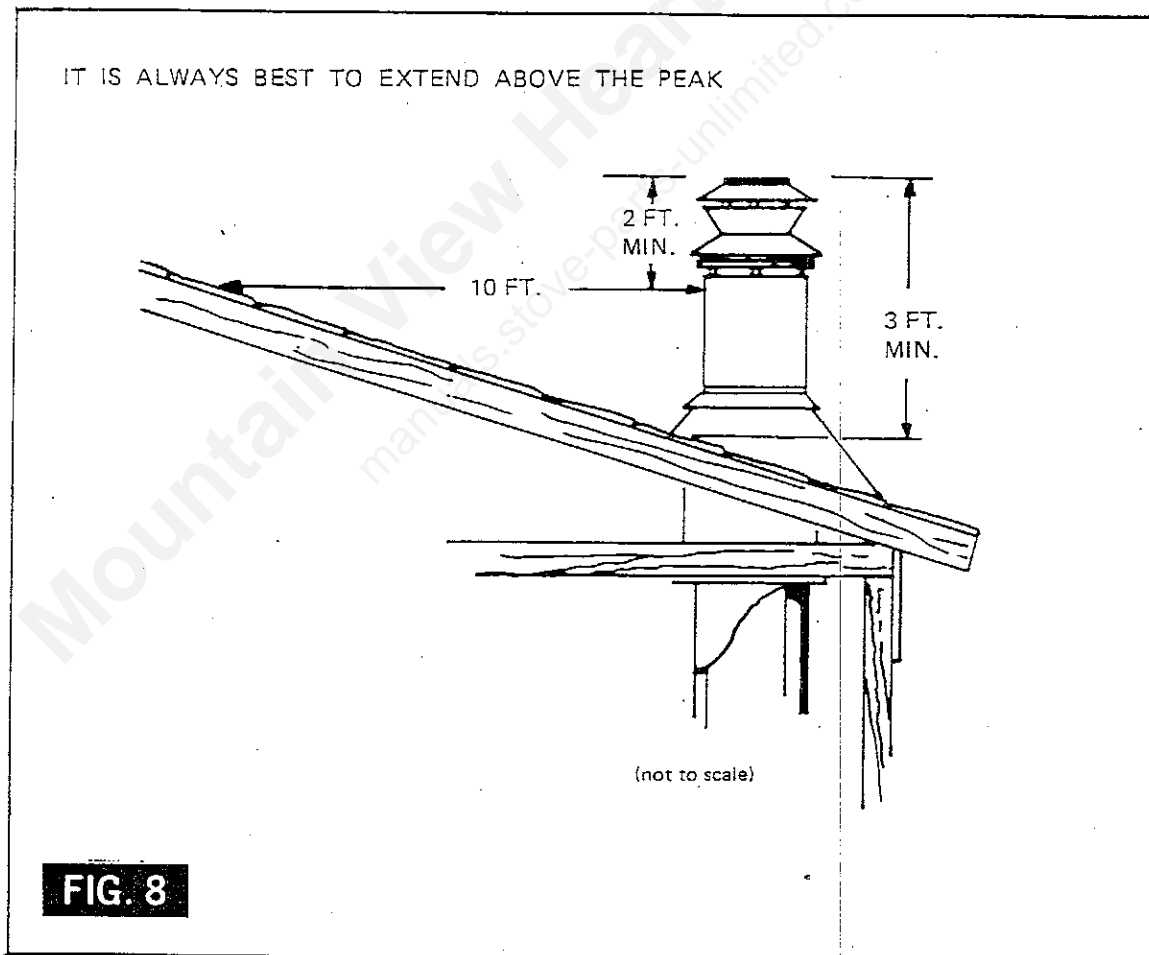
NOTE: At room temperature (72°F) and "LOW" setting, the draft damper door should be closed.

# service hints

1. Do not expect a heater to draw. It is the chimney that creates the draft.
2. The vent pipe may be pushed into the chimney too far, stopping the draft.
3. Do not connect two heaters into the same chimney flue. If it cannot be avoided, be sure that one pipe is higher than the other so that the two openings will not be opposite each other.
4. The chimney used for a heater must not be used to ventilate the cellar or basement. If there is a cleanout opening at the base of the chimney, it must be closed tightly.
5. If the fire burns well but sometimes smokes or burns slowly it may be caused by the chimney top being lower than another part of the house or a nearby tree. The wind blowing over a house or a tree, falls on top of the chimney like water over a dam, beating down the smoke. The top of the chimney should be at least 3 feet above the roof and be at least 2 feet higher than any point of the roof within 10 feet. (Fig. 8).

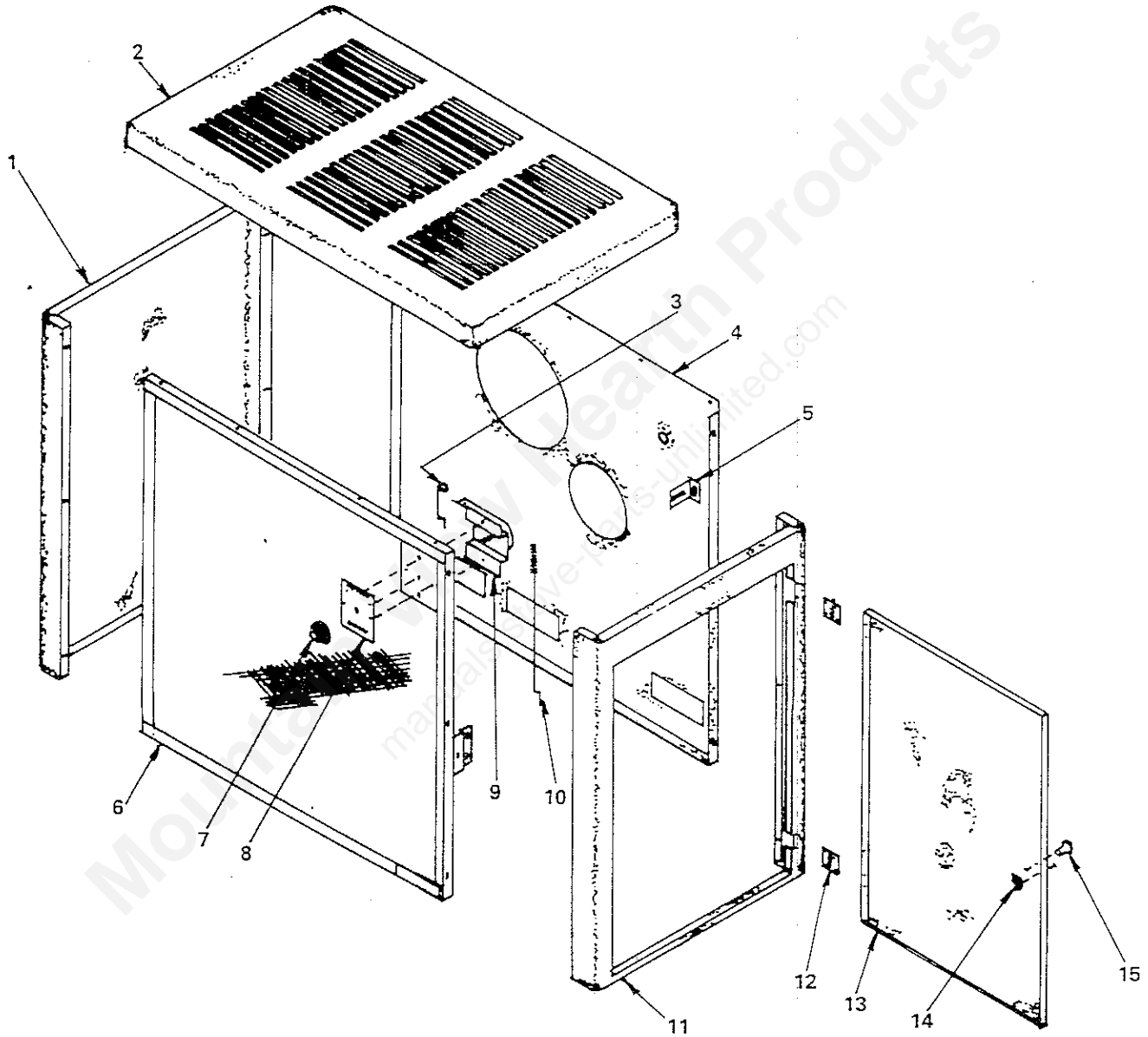
## CARING FOR ENAMELED PARTS

This heater has enameled outside jacket. Enamel baked onto the steel or iron is very serviceable, but it will not stand rough handling or abuse. When setting up your heater use care in handling. Clean with soap and warm water when heater is not hot. DO NOT use any acids or scouring soap, as these wear and dull the finish.



# repair parts

AUTOMATIC WOODBURNING CIRCULATOR  
MODEL NUMBER 2601



# repair parts

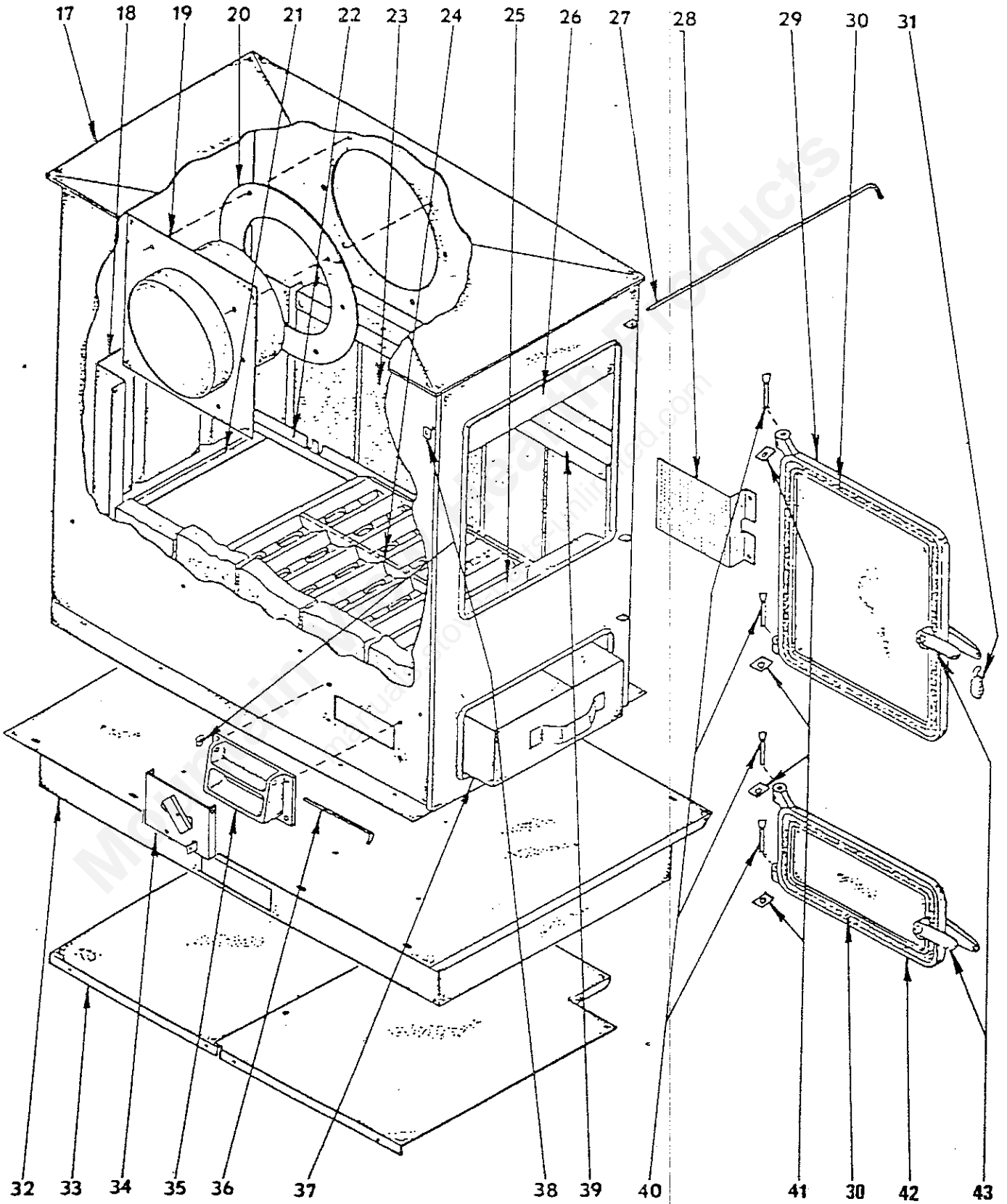
AUTOMATIC WOODBURNING CIRCULATOR  
MODEL NUMBER 2601

Key No.	Part No.	Description
1	66000	Cabinet Left Side
2	65930	Cabinet Top
3	86192	Thermostat Linkage
4	66440	Cabinet Back
5	21063	Back Brace
6	65950	Cabinet Front
7	89142	Thermostat Knob
8	85204	Thermostat Dial Indicator
9	67187	Thermostat Assembly
10	86191	Thermostat Linkage Adjuster
11	67194	Cabinet Door Frame
12	89065	Door Hinge (2 required)
13	67243	Cabinet Door
14	83093	Stove Spring Latch
15	89062	Door Knob
†	85209	Owners Manual

† Not Illustrated

# repair parts

AUTOMATIC WOODBURNING CIRCULATOR  
MODEL NUMBER 2601



# repair parts

AUTOMATIC WOODBURNING CIRCULATOR  
MODEL NUMBER 2601

Key No.	Part No.	Description
17	67169	Heat Jacket
18	17130	Back Liner — 4 Back
19	66960	Flue Collar
20	88032	Flue Collar Gasket
21	17150	Back Liner Support
22	66080	Grate & Liner Support
23	89066	Firebrick (10 required)
24	40055	Fire Grate (2 required)
25	17120	Front Liner
26	21548	Smoke Curtain
27	17210	Hinge Pin (Smoke Curtain)
28	17060	Thermostat Baffle
29	67367	Feed Door (Includes Key No. 30)
30	88042	Rope Gasket (73")
31	89001	Handle (Coil Wire)
32	65960	Base
33	67266	Floor Shield Kit
34	67132	Draft Damper
35	40075	Draft Damper Frame
36	17200	Draft Damper Pin
37	67444	Ash Pan
38	83818	Clip, Pin (2 required)
39	17350	Firebrick Retainer (2 required)
40	21430	Hinge Pin (4 required)
41	83819	Hinge Pin Clip (4 required)
42	67368	Ash Door (includes Key No. 30)
43	LK-26	Door Latch Kit (2 req'd) (includes Kay No. 31)
†	42-84066	Blower Kit (Optional Accessory)
†	42-99185	Connector Adaptor

† Not Illustrated

# owners manual

## HOW TO ORDER REPAIR PARTS

THIS MANUAL WILL HELP YOU TO OBTAIN EFFICIENT, DEPENDABLE SERVICE FROM THE HEATER, AND ENABLE YOU TO ORDER REPAIR PARTS CORRECTLY.

KEEP IN A SAFE PLACE FOR FUTURE REFERENCE.

WHEN WRITING, ALWAYS GIVE THE FULL MODEL NUMBER WHICH IS ON THE NAMEPLATE ATTACHED TO THE BACK OF THE HEATER.

WHEN ORDERING REPAIR PARTS, ALWAYS GIVE THE FOLLOWING INFORMATION AS SHOWN IN THIS LIST:

1. The PART NUMBER
2. The PART DESCRIPTION
3. The MODEL NUMBER
4. The NAME of ITEM

UNITED STATES STOVE COMPANY  
P. O. Box 151  
South Pittsburg, Tn. 37380