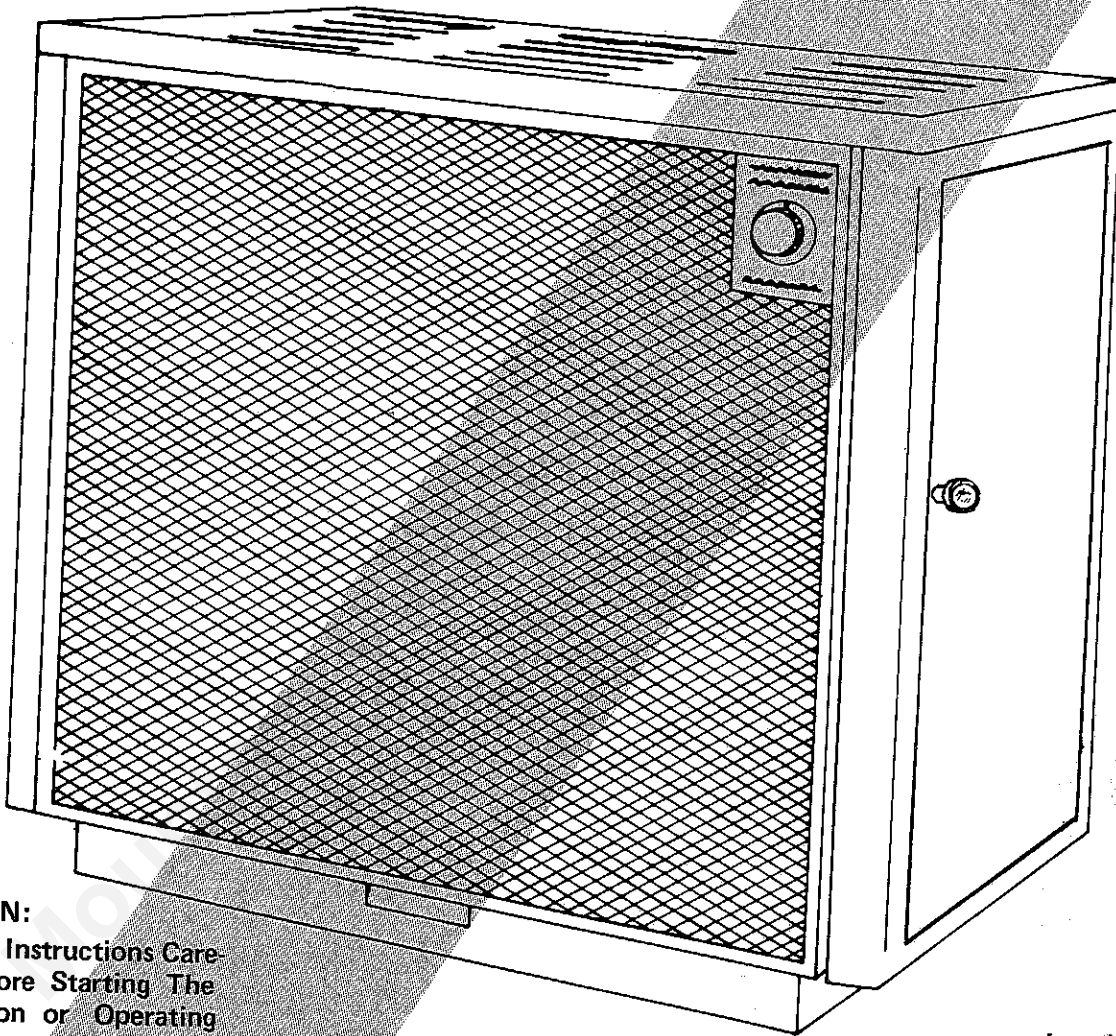


MODEL 2627
owners manual
Wonder Coal
THERMOSTAT CONTROLLED
COAL OR WOOD BURNING CIRCULATOR



CAUTION:
Read All Instructions Carefully Before Starting The Installation or Operating The Heater.

Save This Manual
For Future Reference.



7966-79

- Installation
- Operation
- Repair Parts

**DO NOT USE THIS HEATER
IN A MOBILE HOME OR TRAILER**



UNITED STATES STOVE COMPANY

P. O. Box 5349, Chattanooga, TN 37406

85258 6/80

CONGRATULATIONS!

You've purchased one of America's Finest Coal and Wood Burning Heaters.

By heating with coal or wood, you're helping CONSERVE AMERICA'S ENERGY!

tools and materials needed

TOOLS

Pencil
6 Foot Folding Rule or Tape
Tin Snips
Drill, Hand or Electric
Drill Bit (For Sheet Metal Screws)

MATERIALS

6" Pipe, 6" Elbow, Collar and Thimble;
as required (24 gauge min.)
1/2" Sheet metal screws
6" Inside diameter Underwriter Laboratories (UL) Listed
Residential Solid Fuel Factory-Built Chimney
or existing masonry chimney
Floor Protector Material 3'-0" x 4'-6"
as specified on Page 4

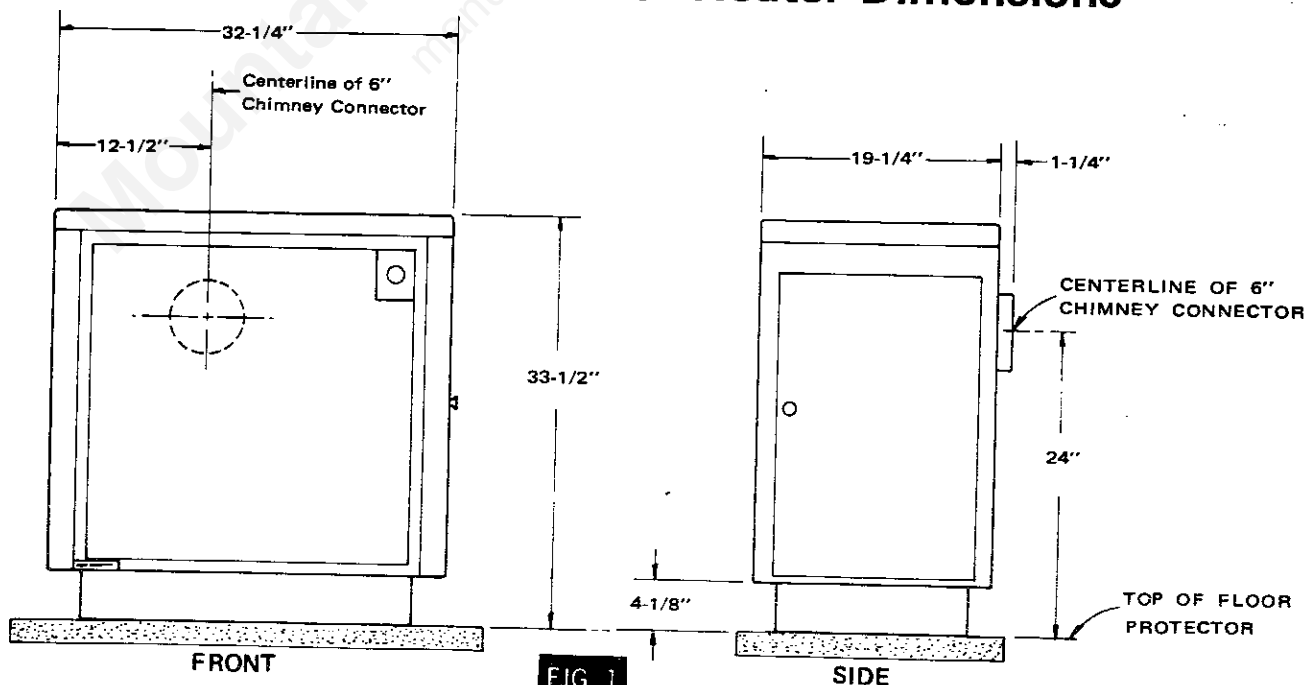
rules for safe installation and operation

Read these rules and the instructions carefully. Failure to follow them could cause a malfunction of the heater. This could result in death, serious bodily injury, and/or property damage.

1. **Check your local codes.** The installation must comply with their rulings.
2. **Do not install** this heater in a mobile home or trailer.
3. **Always** connect this heater to a chimney and vent to the outside. Never vent to another room or inside a building. Make sure the chimney is high enough to give a good draft.
4. **Do not connect** a wood burning heater to an aluminum Type B gas vent. This is not safe and is prohibited by the National Fire Protection Association Code. This heater requires a masonry or a UL Listed Residential Solid Fuel Factory-Built Chimney.
5. **Inspect chimney** connector and chimney before and frequently during the heating season for any deposit of creosote or soot which must be removed (see CHIMNEY MAINTENANCE, page 7).
6. Provide air for combustion from outside the house into the room where the heater is located. If the intake is not in the same room, air must have free access to the room.
7. **CAUTION** - The special enamels used on your heater may give off some smoke while they are curing during first few fires. Build small fires at first.
8. **CAST IRON PARTS MUST BE "SEASONED" TO AVOID CRACKING. BUILD ONLY SMALL FIRES .**
9. **To prevent injury,** do not allow anyone who is unfamiliar with the operation to use the heater.
10. **For further information** on using your heater safely, obtain a copy of the National Fire Protection Association (NFPA) publication "Using Coal and Wood Stoves Safely" NFPA No. HS-10-1978. The address of the NFPA is 470 Atlantic Avenue, Boston, MA 02210.
11. **Disposal of Ashes** -Ashes should be placed in a metal container with a tight fitting lid. The closed container of ashes should be placed on a noncombustible floor or on the ground, well away from all combustible materials, pending final disposal. If the ashes are disposed of by burial in soil or otherwise locally dispersed, they should be retained in the closed container until all cinders have thoroughly cooled.
12. **CARING FOR ENAMELED PARTS** - This heater has an enameled outside jacket. Enamel baked onto the steel or iron is very durable but it will not stand rough handling or abuse. When installing your heater, use care in handling. Clean with soap and warm water when heater is not hot. **DO NOT** use any acids or scouring soap, as these wear and dull the finish. **ENAMEL DISCOLORATION WILL OCCUR IF THE HEATER IS OVERFIRED. FOLLOW OPERATING INSTRUCTIONS CAREFULLY.**
13. **Keep** the ashpit section free of excess ashes.

CAUTION: Do not touch the heater until it has cooled.

Automatic Circulator Heater Dimensions

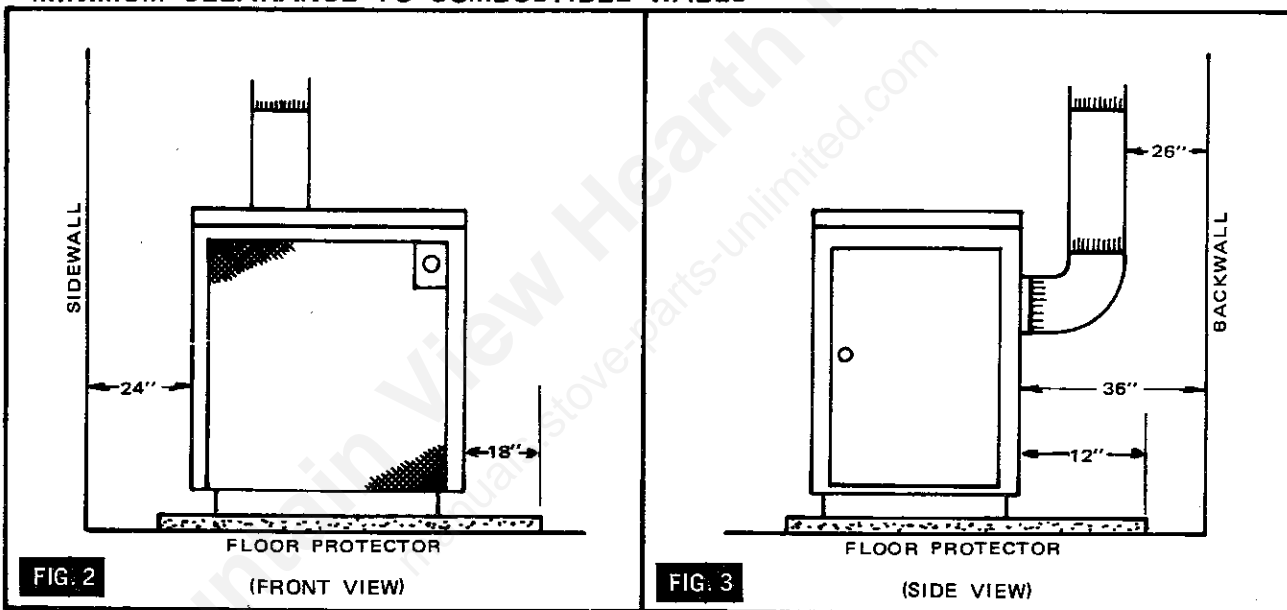


locating the heater

AS A LOCATION IS SELECTED, KEEP THE FOLLOWING IN MIND:

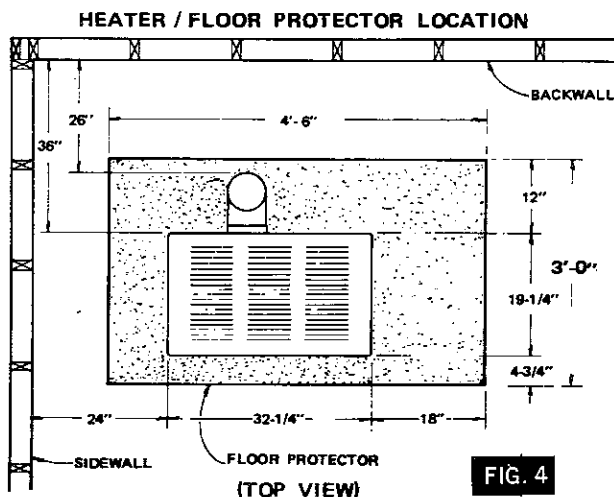
1. The chimney connection should be as short as possible. The heater must have its own chimney. Do not connect any other appliance to the same flue.
If there is no chimney near where you wish to place the heater, you can use a UL Listed Residential Solid Fuel Factory-Built Chimney (Fig. 6).
2. Place the heater directly on solid masonry or solid concrete. When the heater is used on a combustible floor surface, a floor protector of brick or 2-1/4" patio stone should be used. The floor protector should extend 18" beyond the door side of the heater and should extend under the connector pipe in the back (Fig. 4).
3. Check Figures 2, 3 and 4. You should have at least the clearances shown from the heater and the connector pipe to combustible surfaces. If you have a solid brick or stone wall behind your heater, you can place the heater as close as you wish to the wall. If the wall is only faced with brick or stone, treat it as a combustible wall.

MINIMUM CLEARANCE TO COMBUSTIBLE WALLS



NOTE: BEFORE FIRING HEATER

1. Remove plastic knob from inside of cabinet door and install on outside.
2. Slide firebricks toward the rear so no gaps remain between them.



chimney connection

MASONRY CHIMNEY

Before using an existing masonry chimney, the chimney should be cleaned and the flue liner inspected to be sure it is safe to use. Make any necessary repairs before attaching the heater.

Look at Figure 5. The connector pipe and fittings you will need to connect directly to a masonry chimney are shown.

If it is necessary to pass through a combustible wall before entering the masonry chimney, consult a qualified mason or chimney dealer. The installation must conform to local fire codes.

Do not connect this heater into the same chimney flue as the fireplace or flue from another heater.

The chimney used for a heater must not be used to ventilate the cellar or basement. If there is a cleanout opening at the base of the chimney, it must be closed tightly.

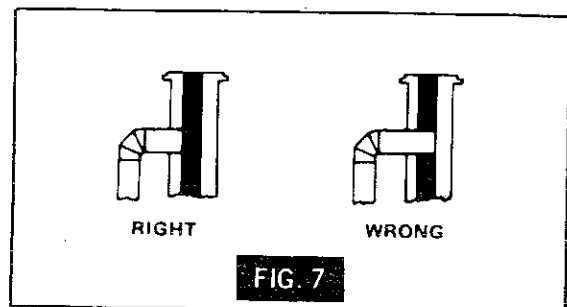
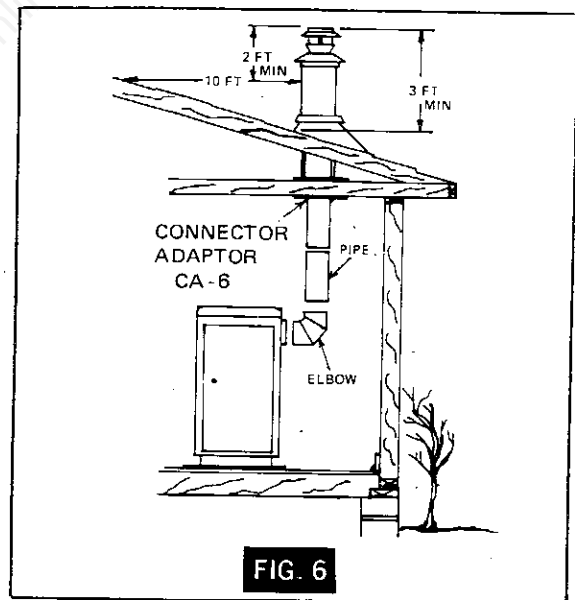
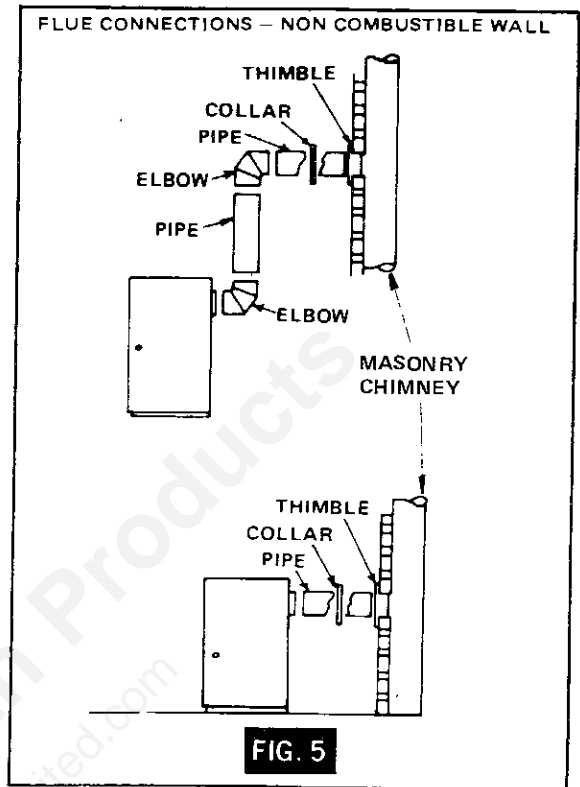
LISTED CHIMNEY

Carefully follow chimney manufacturer's instructions. Use only a UL Listed Residential Solid Fuel Factory-Built Chimney. If your chimney starts at the ceiling (Fig. 6), you will need a 6" elbow and enough 6" pipe to reach the ceiling.

The top of the chimney must be at least 3 feet above the roof and be at least 2 feet higher than any point of the roof within 10 feet (Fig. 6).

RULES FOR STOVEPIPE INSTALLATION

1. The crimped end of the stovepipe fits inside the heater flue collar. Additional pipe and elbow should be installed **CRIMPED END TOWARD THE HEATER**. This will allow any condensation in the flue to run back into the heater.
2. Any horizontal pipe should be pitched upward toward the chimney at least $\frac{1}{4}$ inch for each foot of horizontal run.
3. You must have at least 18 inches of clearance between any horizontal piping and the ceiling.
4. The pipe cannot extend into the chimney flue (Fig. 7).
5. Seal each connector pipe joint with furnace cement. Also seal the pipe at the chimney.
6. Use 3 sheet metal screws at each joint to make the piping rigid.
7. Do not put a damper in a stovepipe.



operating instructions

FUEL

Egg size Bituminous coal for residential furnaces, or any of the specially packaged fireplace coals can be used. Coal with a low ash content (2% to 6%) is recommended.

Hardwood, 18" to 22" should be split and air dried (seasoned) for 6 months.

LIGHTING

1. Set the thermostat on "HIGH" for maximum draft.
2. Open the feed door and place paper and kindling on the grate for starting the fire.
3. Light fire and close feed door.
4. Add wood or about 15 lbs. of coal after fire is burning briskly. Use care not to smother the kindling fire.
5. Set thermostat for desired temperature. "MEDIUM" setting is normally satisfactory. Set higher or lower for your comfort.

ADDING FUEL

When possible, add small amounts of fuel each hour or so instead of large amounts every 8 to 10 hours. This will give more complete combustion and less build-up of tars and soot in the chimney.

1. Set thermostat to HIGH before opening feed door.
2. Wood Fire—Do not add fuel above firebox liners.
3. Coal Fire—Never smother the fire when adding coal (see CAUTION below). Gas accumulation and a mild smoky explosion will occur.
 - a. Add fresh kindling if the bed of coals has cooled.
 - b. Add up to 20 lbs. of coal. Never add coal above top of fire brick.
 - c. Stir the coal and watch the fire. Be sure the new coal is burning briskly before you close the doors and turn the thermostat down.
4. Shake grates vigorously fore and aft 1/2" to dump ashes into ash pan. Do this at least once every 12 hours of operation.
5. Empty ash pan regularly. Do not allow ashes to build up to grate as grate will warp and burn out, and you might spill the ashes when removing the pan. Dispose of hot ashes properly (see Note 11 on Page 3).

MINIMUM FIRE

The burning rate at the low setting can be further adjusted by opening or closing the minimum fire air shutter (Fig. 8) on the draft control door.

1. Partially close the shutter to make the fuel burn longer.
2. Open the shutter, exposing a large opening, to reduce the formation of creosote or soot (see notes on Chimney Maintenance).
3. Do not operate the heater with the minimum fire air shutter completely closed.

CAUTION

DO NOT OPERATE THIS HEATER WITH FEED OR ASH DOOR OPEN. THIS HEATER IS DESIGNED FOR THERMOSTATIC OPERATION. OPERATION WITH EITHER DOOR OPEN WILL OVERHEAT AND DAMAGE THE HEATER.

CAUTION

GASES THAT ARE DRIVEN FROM FRESH COAL MUST BE BURNED OR THEY WILL ACCUMULATE AND EXPLODE. NEVER SMOTHER A FIRE WHEN ADDING FRESH COAL.

WARNING

NEVER USE GASOLINE, GASOLINE-TYPE LANTERN FUEL, KEROSENE, CHARLOAL LIGHTER FLUID, OR SIMILAR LIQUIDS TO START OR "FRESHEN UP" A FIRE IN THE HEATER.

WARNING

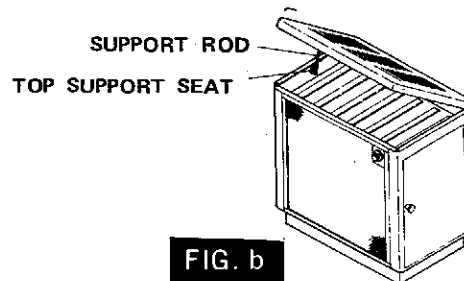
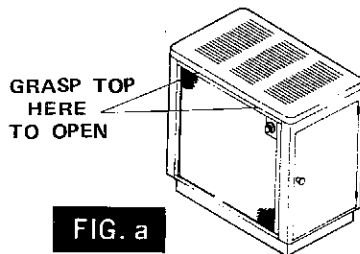
NEVER STORE FLAMMABLE LIQUIDS, ESPECIALLY GASOLINE, IN THE VICINITY OF THE HEATER.

opening the lift top

CAUTION — DO NOT OPEN OR CLOSE TOP WHEN HEATER IS HOT!

To open, grasp TOP at front and lift all the way, then gently lower the TOP until the TOP SUPPORT ROD latches to hold the TOP (Fig. a).

To close, lift TOP until the TOP SUPPORT ROD is unlatched. Pull the ROD forward and lower the TOP (Fig. b).



adjusting the thermostat

The thermostat control was adjusted at the factory. The operation of the heater may require a change in adjustment. Make adjustments at room temperature.

If the room temperature is not satisfactory, the thermostat operating range may be changed as follows:

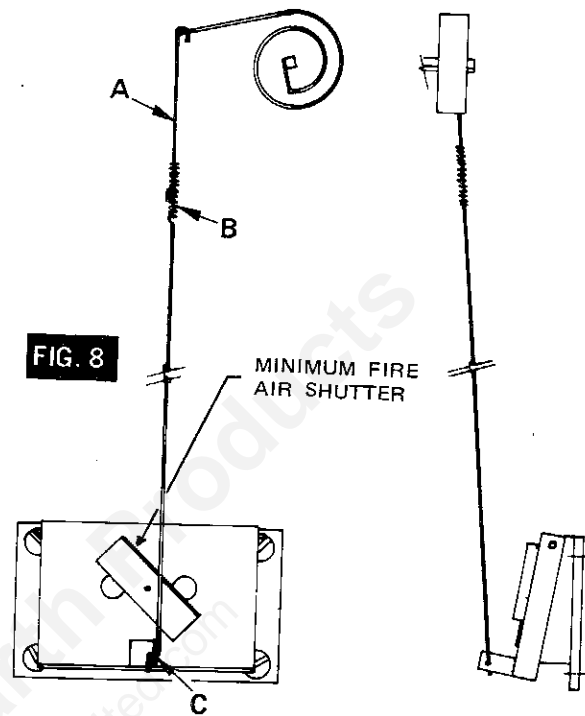
TO INCREASE the amount of heat at a "HIGH" setting, adjust the wire linkage to increase the draft damper opening (Fig. 8).

1. Unhook linkage wire at Point "C".
2. Take Point "A" in left hand and "B" in right hand, then turn "B" clockwise about 3 turns.
3. Then hook linkage wire back to draft control damper door at Point "C".

TO DECREASE the amount of heat at "LOW" setting:

1. Check feed and ash doors to be sure that they are closed tightly.
2. Check the connector pipe to see that it is sealed in the flue collar and at all joints.
3. If no air leaks are found, adjust linkage as above except turn "B" counterclockwise about 3 turns.

NOTE: More than one adjustment may be needed. At room temperature (72° F) and "LOW" setting, the draft damper door should be closed.



service hints

Do not expect a heater to draw. It is the chimney that creates the draft. Smoke spillage into the house or excessive build-up of water or creosote in the chimney are warnings that the chimney is not functioning properly. Correct the problem before using heater. Possible causes are:

1. The connector pipe may be pushed into the chimney too far, stopping the draft (Fig. 7).
2. Do not connect two heaters into the same chimney flue.
3. Do not use the chimney to ventilate the cellar or basement. If there is a cleanout opening at the base of the chimney, close it tightly.
4. If the chimney is too cool, water will condense in the chimney and run back into the heater. Creosote formation will be rapid and may block the chimney. Build a large enough fire to keep the chimney warm to prevent condensation.
5. If the fire burns well but sometimes smokes or burns slowly, it may be caused by the chimney top being lower than another part of the house or a nearby tree. The wind blowing over a house or a tree, falls on top of the chimney like water over a dam, beating down the smoke. The top of the chimney should be at least 3 feet above the roof and be at least 2 feet higher than any point of the roof within 10 feet (Fig. 6).

chimney maintenance

Creosote - Formation and Need for Removal

When wood is burned slowly, it produces tar and other organic vapors, which combine with expelled moisture to form creosote. The creosote vapors condense in the relatively cool chimney flue of a slow-burning fire. As a result, creosote residue accumulates on the flue lining. When ignited this creosote makes an extremely hot fire.

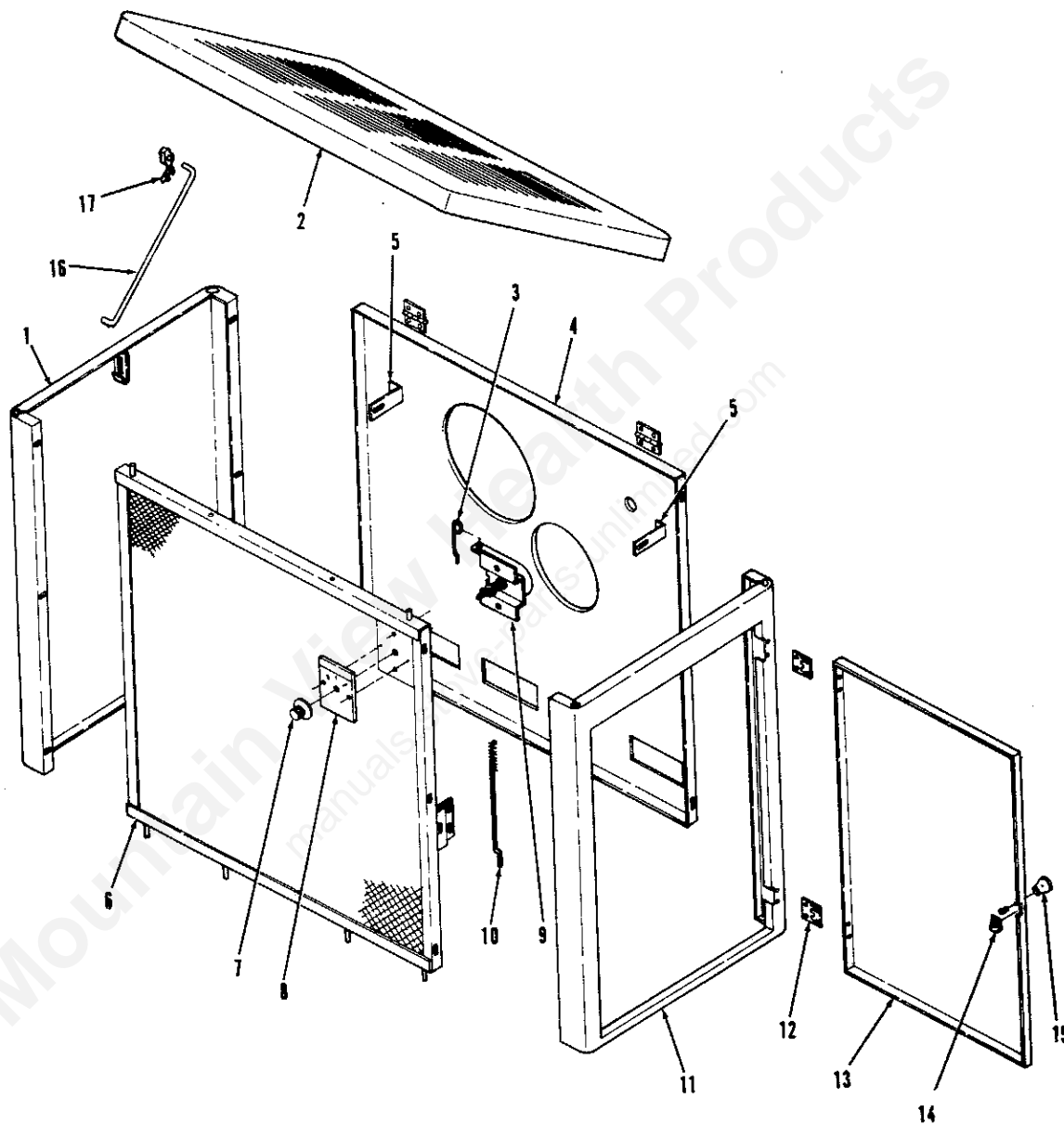
The chimney connector and chimney should be inspected at least twice monthly during the heating season to determine if a creosote buildup has occurred.

If creosote has accumulated it should be removed to reduce the risk of a chimney fire.

Chimney fires burn very hot. If the chimney connector should glow red, immediately call the fire department, then reduce the fire by closing the inlet air control and pour a large quantity of coarse salt, baking soda or cool ashes on top of the fire in the firebox. **CAUTION:** A chimney fire may cause ignition of wall studs or rafters which you thought were a safe distance from the chimney. If you have a chimney fire, have your chimney inspected by a qualified person before using again.

repair parts

THERMOSTAT CONTROLLED
COAL OR WOOD BURNING CIRCULATOR MODEL 2627



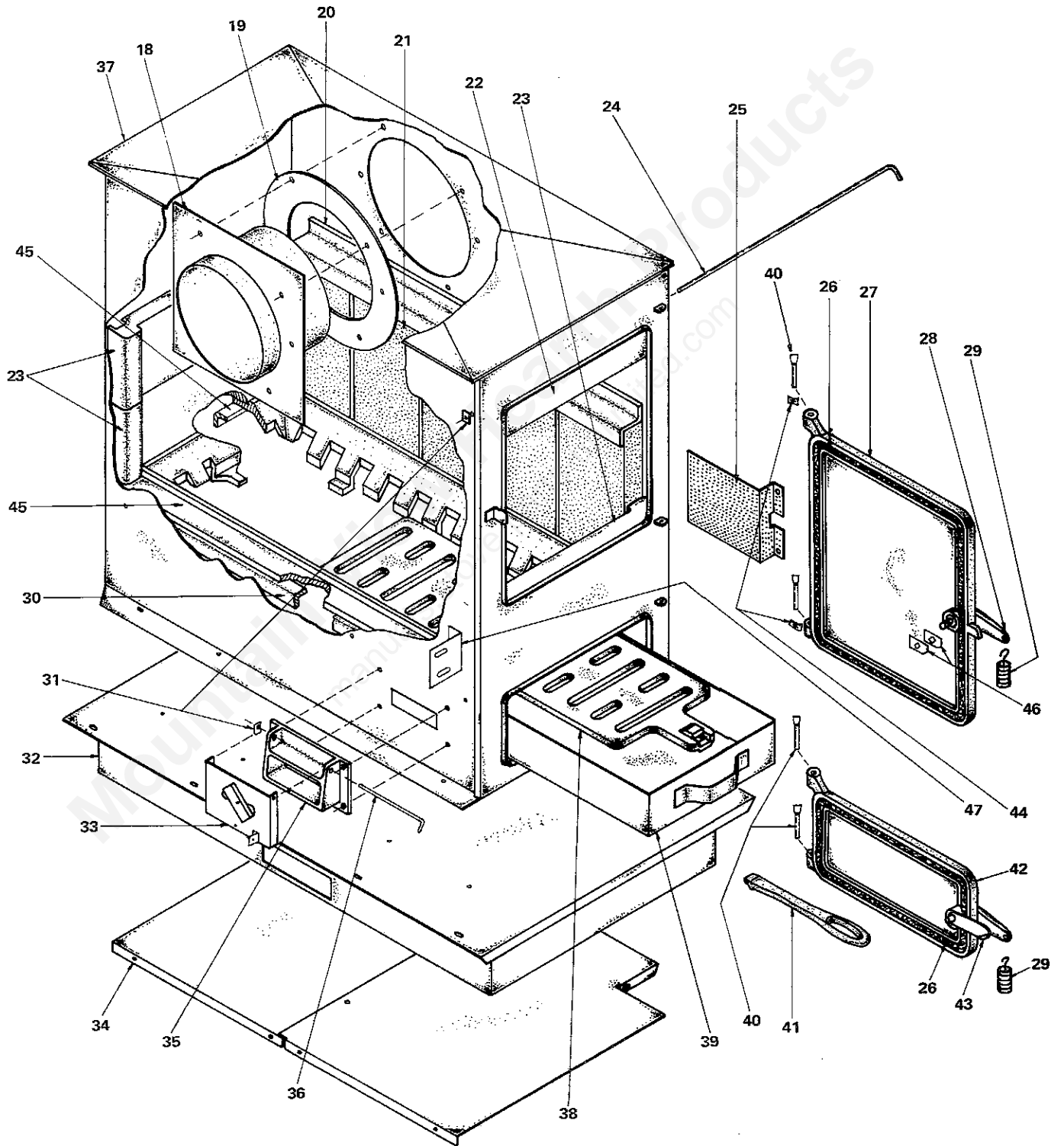
repair parts

THERMOSTAT CONTROLLED
COAL OR WOOD BURNING CIRCULATOR
MODEL 2627

Key No.	Part No.	Description
1	67512	Cabinet Left Side
2	67513	Cabinet Top
3	86192	Thermostat Linkage
4	67514	Cabinet Back
5	21063	Back Brace (2 Req'd.)
6	67511	Cabinet Front
7	89142	Thermostat Knob
8	85204	Thermostat Dial Indicator
9	67187	Thermostat
10	86191	Thermostat Linkage Adjuster
11	67194	Cabinet Door Frame
12	89065	Door Hinge (4 Req'd.)
13	67243	Cabinet Door
14	83093	Stove Spring Latch
15	89062	Door Knob
16	21593	Hinge Support
17	83833	Hinge Clip

repair parts

THERMOSTAT CONTROLLED
COAL OR WOOD BURNING CIRCULATOR MODEL 2627



repair parts

THERMOSTAT CONTROLLED
 COAL OR WOOD BURNING CIRCULATOR
 MODEL 2627

Key No.	Part No.	Description
18	66960	Flue Collar
19	88032	Flue Collar Gasket
20	40132	Top Brick Retainer (Cast Iron) (2 Req'd.)
21	89066	Fire Brick (10 Req'd.)
22	21548	Smoke Curtain
23	40100	Liner (Cast Iron) (3 Req'd.)
24	17210	Hinge Pin (Smoke Curtain)
25	17060	Thermostat Baffle
26	88042	Rope Gasket (73")
27	67447	Feed Door (Cast Iron) (Includes Handles & Gasket)
28	40092	Feed Door Handle (Cast Iron)
29	67567	Handle-Wood (2 Req'd.)
30	40131	Grate Support-Sides (Cast Iron) (2 Req'd.)
31	83818	Clip (2 Req'd.)
32	65960	Base
33	67132	Draft Control Damper
34	67266	Floor Shield
35	40075	Draft Damper Frame
36	17200	Hinge Pin (Draft Damper)
37	67479	Heat Jacket
38	40101	Coal Grate (Cast Iron)
39	67444	Ash Pan
40	83117	Rivet (4 Req'd.)
41	40045	Shaker (Cast Iron)
42	67368	Ash Door (Includes Key Nos. 26, 44)
43	LK-26	Latch Kit
44	83819	Clip (4 Req'd.)
45	40102	Coal Grate Frame (Cast Iron)
46	21467	Latch Spacer (2 Req'd.)
47	17270	Front Brace
†	40130	Grate Support-Rear (Cast Iron)
†	F-26U	Blower Kit (Optional Accessory)
†	CA-6	Connector Adapter (Optional Accessory)
†	85258	Owners Manual

† Not Illustrated

owners manual

HOW TO ORDER REPAIR PARTS

THIS MANUAL WILL HELP YOU TO OBTAIN EFFICIENT, DEPENDABLE SERVICE FROM THE HEATER, AND ENABLE YOU TO ORDER REPAIR PARTS CORRECTLY.

KEEP IN A SAFE PLACE FOR FUTURE REFERENCE.

WHEN WRITING, ALWAYS GIVE THE FULL MODEL NUMBER WHICH IS ON THE NAMEPLATE ATTACHED TO THE BACK OF THE HEATER.

WHEN ORDERING REPAIR PARTS, ALWAYS GIVE THE FOLLOWING INFORMATION AS SHOWN IN THIS LIST:

1. The PART NUMBER
2. The PART DESCRIPTION
3. The MODEL NUMBER
4. The NAME of ITEM

UNITED STATES STOVE COMPANY
P. O. Box 5349
Chattanooga, Tennessee 37406