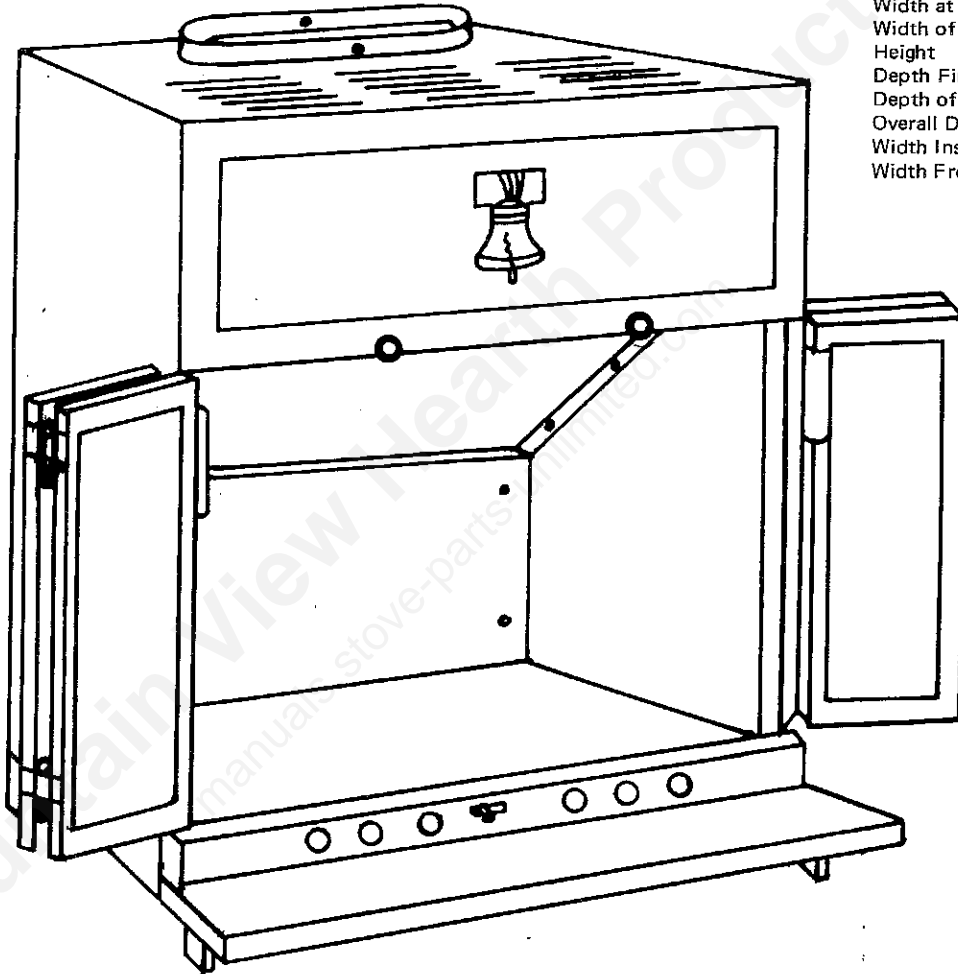


# Contemporary Franklin Fireplace

Installation and Operating Instructions with Parts List

Model No. 2690

SPECIFICATIONS	
Width at Top Back	23½
Width at Top Front	28½
Width of Hearth	30½
Height	32
Depth Firebox	17½
Depth of Hearth	6
Overall Depth	26
Width Inside Back	22
Width Front Opening	25½



First, inspect each item carefully for visible damage, and refer to the last pages of this book to see that all parts or accessories ordered are included in your shipment. If parts are damaged or missing, notify the freight company before you make installation. Have the inspector prepare a signed report, and send us a copy of this report from the freight company. We must have a signed inspection report to prove its liability. Upon receipt of this report, we will forward replacements for damaged parts.

**UNITED STATES STOVE COMPANY**

SOUTH PITTSBURG, TENNESSEE 37380

FORM 9947

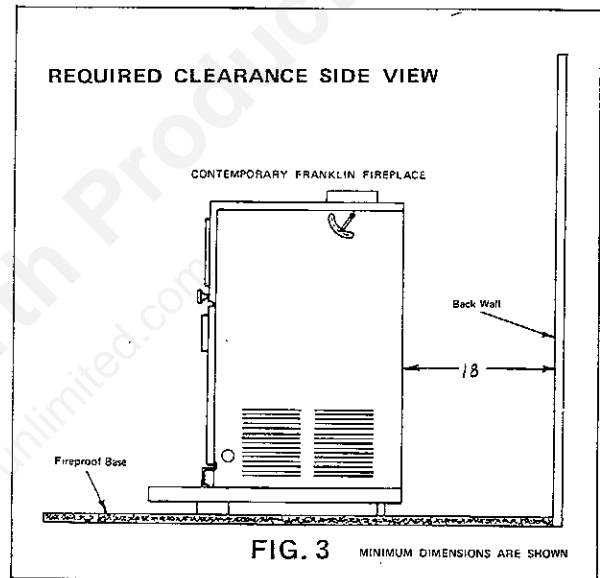
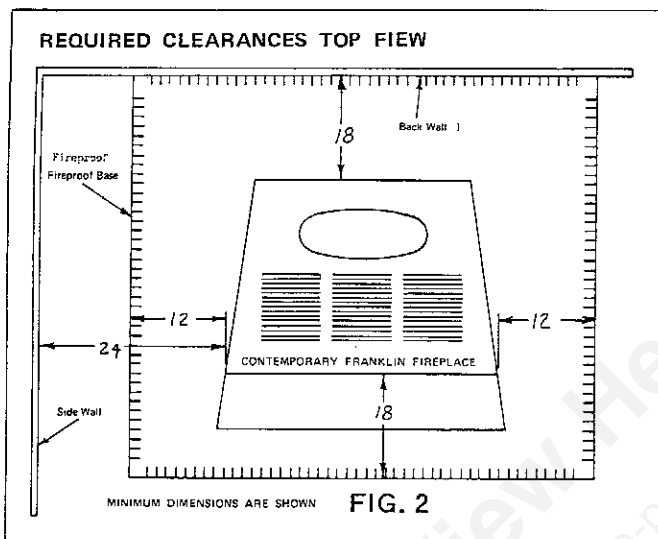
# installation

As a location is selected keep the following in mind:

1. The flue connection should be as short as possible. The fireplace should have its own chimney. No other appliance should be connected to the chimney.
2. The floor should be level and fireproof. If your floor is not fireproof, you can make a fireproof base. Use 2" thick concrete patio blocks. They are available at your local building supply dealer. The base must extend 18" from the rear of the Franklin, 12" to each side and 18" to the front (Fig. 2).

3. Provide the following clearances to non-fireproof walls (Fig. 2 and 3): a) 18" from rear of Franklin; b) 24" from each side of Franklin.

If you have a solid brick or stone wall behind your Franklin, you can place the Franklin as close as you wish to the wall. If the wall is only faced with brick or stone, check your local code for the correct clearances.



## rules for safe installation and operation

1. Read these rules and the instructions carefully. Failure to follow them could cause malfunction of the fireplace. This could result in death, serious bodily injury, and/or property damage.
  2. Check your local codes. The installation must comply with their rulings.
  3. Do not install this fireplace in a mobile home or trailer.
  4. Always connect this fireplace to a chimney and vent to the outside. Never vent to another room or inside a building.
  5. Make sure the chimney is high enough to give a good draft. Keep the chimney and pipe clean inside to avoid blockage. Otherwise smoking will result.
  6. Always open damper before lighting fire.
  7. Keep the ashpit section free of excess ashes. Failure to do so will cause grate warpage and burn out.
  8. To hold a fire for a long period, place logs, coal, or other fuel on fire and close front doors tight. Leave the bottom draft slides closed. Ashes may also be heaped on top of the fire for better holding. The damper should be opened. Where there is poor draft, it may be necessary to open draft slides.
  9. When the fire is out, always close the front doors, flue damper and draft slides. A warm flue will remove heat from the living space. THIS IS ESPECIALLY IMPORTANT WHERE THE FRANKLIN FIREPLACE IS USED IN HOMES WHICH HAVE CENTRAL HEATING SYSTEMS.
  10. PARTS MUST BE "SEASONED" TO AVOID CRACKING. BUILD ONLY SMALL FIRES DURING YOUR EARLY USE. Never build extremely large fires in your Franklin.
  11. To prevent injury do not allow anyone who is unfamiliar with the operating instructions to use fireplace.
- CAUTION: Do not touch the fireplace until it has cooled.

# operation

## TO BUILD A FIRE

1. Open the damper by turning the damper knob.
2. Place paper and/or kindling in the grate basket. More kindling will be needed with coal or charcoal than with wood.
3. You can get a better chimney draft with a warm flue. Hold a lighted roll of paper in the opening as near as you can to the flue opening inside the fireplace.
4. Then, light the fuel in the grate. Add fuel, carefully at first to avoid smothering the fire. When the fire is going well, fuel may be added in the amount desired.
5. You can control the rate of burning by moving the damper knob or closing the front doors. Never close the doors when a large fire is burning.
6. Use a firescreen to prevent sparks from entering the room.

## CHARCOAL FIRES

A charcoal fire can be built in the grate basket for broiling or grilling. The DAMPER MUST BE IN FULL OPEN POSITION to allow smoke, grease and fumes to escape. Build the fire as described above. You can use the charcoal lighting fluids, but be very careful. DO NOT SPRAY IT ON HOT COALS. NEVER USE GASOLINE AS A LIGHTING FLUID. Charcoal requires a constant supply of fresh air. Leave a door or window open.

## IF FIREPLACE SMOKES, CHECK THE FOLLOWING

### A. Incorrect Chimney

1. Chimney should extend at least 3 feet above the highest point where it passes through the roof. It should also be at least 2 feet higher than any portion of the building within 10 feet.
2. The fireplace chimney should have no other appliances attached to it. All unused openings and the clean-out door at the chimney base should be sealed.
3. The draft or "drawing" of the fireplace is fully dependent on the chimney. A chimney must be high enough and warm enough to provide draft. Adding chimney height should improve draft.

### B. Air Supply

1. A tightly constructed home with well fitting windows, weather stripping and storm sash has little air infiltration. No air will move up a chimney unless air enters the room containing the fireplace. A tight house should have a fresh air intake at least as large as the fireplace flue area. If there is no air intake in the room with the fireplace, air must be provided through open windows and doors when the fireplace is operating.
2. Ventilating fans move large volumes of air. If normal air infiltration is not great enough to satisfy the needs of a fireplace AND ventilating fan, air will be drawn down the chimney creating a smoking condition. The fresh air intake must provide enough for both.
3. A furnace or boiler also requires an air supply for proper burning. This air must be provided in addition to the fireplace and other needs.

### C. Helpful Hints

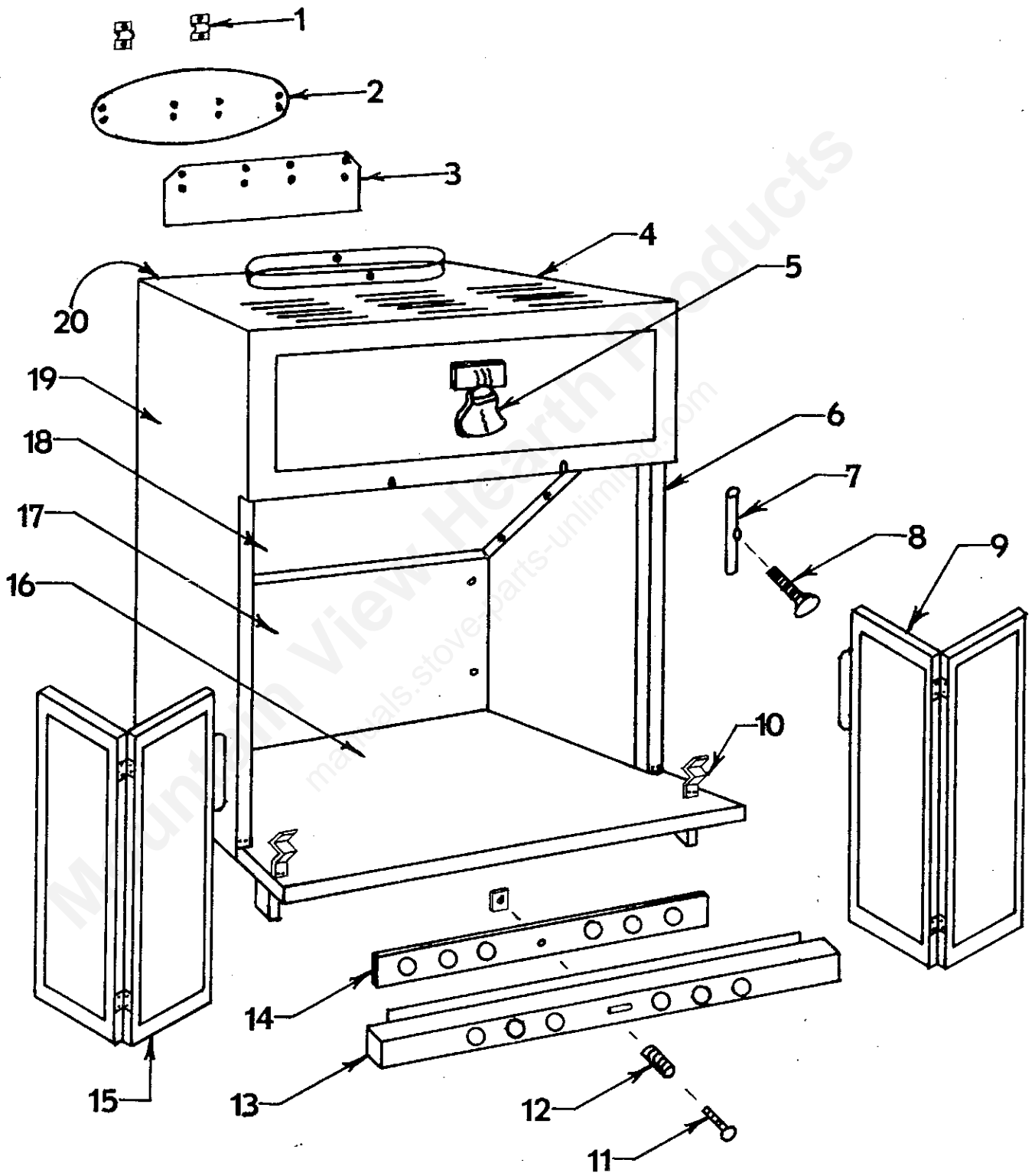
1. Starting a fire in a cold room tends to produce smoke while the chimney is cold. When the chimney warms up, the smoking should stop.
2. Fires should be built to the rear of the unit.
3. When adding fuel make sure that the damper is open.
4. The use of the grate basket promotes a better fire and minimizes smoke.

### D. Other Conditions

1. Pipe inserted too far into chimney opening.
2. Pipe obstructed with soot.

# Repair Parts Illustrated

## Model No. 2690



# Repair Parts List

## MODEL NUMBER 2690

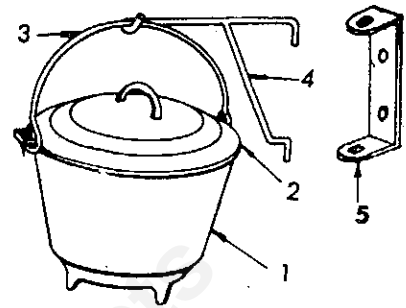
Key No.	Part No.	Description
1	1358	Damper Rod Clamps
2	1357	Damper
3	1360	Damper Stop
4	1245	Main Top
5	4314	Liberty Bell
6	1246	Right Side
7	1361	Door Catch
8	9942	Door Knob
9	6627	Right Set of Doors
10	1253	Ash Stop Clips
11	9946	Draft Slide Screw
12	9943	Draft Slide Spring
13	1376	Ash Stop
14	1311	Draft Slide
15	6626	Left Set of Doors
16	6704	Base
17	1356	Back Baffle
18	1355	Top Baffle
19	1247	Left Side
20	1251	Main Back
*	6702	Fire Box Jacket
*	1354	Smoke Baffle
*	1252	Damper Rod
*	9947	Owners Manual

\* Not Illustrated

# Accessories

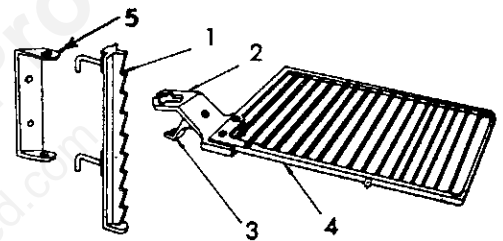
## BOSTON BEAN POT WITH CRANE HOOK -- NO. BP-26

Key No.	Part No.	Name of Part
1	4180	Pot
2	4179	Cover
3	0848	Handle
4	1251	Crane Hook
5	0845	Bracket

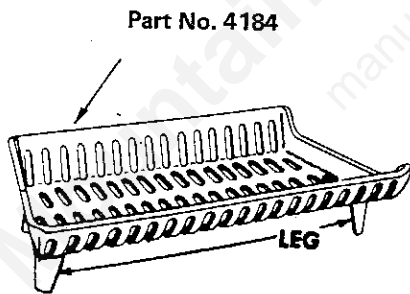


## CAST IRON BARBECUE GRID -- NO. GR-26

Key No.	Part No.	Name of Part
1	4178	Support, Grill
2	4175	Arm, Grill
3	4176	Leg, Grill Adjusting
4	4177	Grill
5	0845	Bracket



## CAST IRON GRATE BASKET -- NO. G-26



Part No. 4184

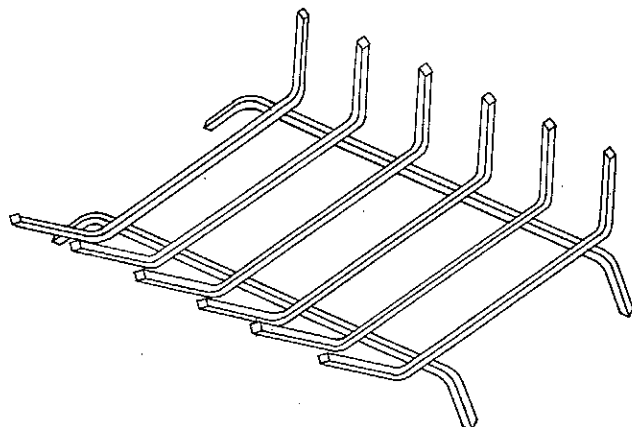
Part No. 4185  
(4 Required)

STOVE  
TOUCH-UP PAINT

Part No. 5031

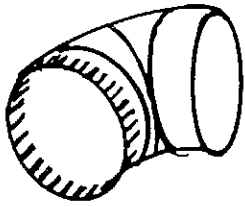
BAR TYPE GRATE

NO. GW-26



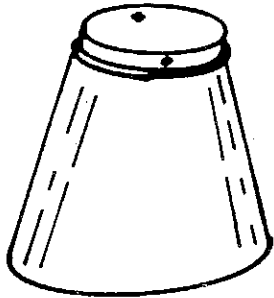
One pint. Keeps Heater Looking New.

# Accessories



**8" ELBOW NO. E-26**

Pipe and accessories are finished in mat black, heat resistant, silicone paint to complement the Franklin. Made of heavy weight 24 gauge steel for long life.



**PIPE REDUCER -- NO. R-26**

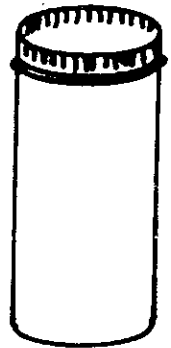
For use when an 8-inch diameter smokepipe is desired. Reduces 10-inch flue opening at top of the stove to 8 inches for a vertical outlet installation . . . (this is the most popular type of use for this accessory).



**8" COLLAR NO. C-26**



**CONNECTOR ADAPTOR  
No. CA-26**

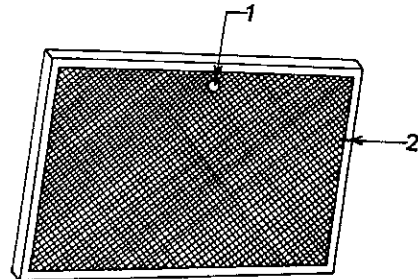


**8" x 2' PIPE  
NO. P-26**

## SPARK SCREEN -- No. FS-26

Key No.	Part No.	Name of Part
1	9941	Knob
2	6498	Screen
*	1515	Washer

\* Not Illustrated



THIS BOOKLET IS VALUABLE. It will assure your being able to obtain proper parts service at all times. We suggest you keep it with other valuable papers.

# owners manual

## HOW TO ORDER REPAIR PARTS

### Contemporary Franklin Fireplace

### Model No. 2690

THIS MANUAL WILL HELP YOU TO OBTAIN EFFICIENT, DEPENDABLE SERVICE FROM THE HEATER, AND ENABLE YOU TO ORDER REPAIR PARTS CORRECTLY.

KEEP IN A SAFE PLACE FOR FUTURE REFERENCE.

WHEN WRITING, ALWAYS GIVE THE FULL MODEL NUMBER WHICH IS ON THE NAMEPLATE ATTACHED TO THE BACK OF THE HEATER.

WHEN ORDERING REPAIR PARTS, ALWAYS GIVE THE FOLLOWING INFORMATION AS SHOWN IN THIS LIST:

1. The PART NUMBER
2. The PART DESCRIPTION
3. The MODEL NUMBER
4. The NAME of ITEM

UNITED STATES STOVE COMPANY

SOUTH PITTSBURG, TENNESSEE