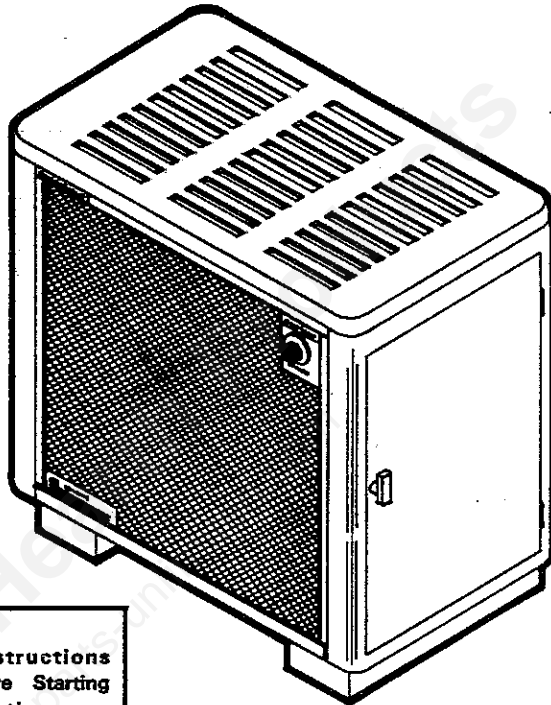


Model 2700
owners manual
Wonder Wood
AUTOMATIC WOOD BURNING CIRCULATOR



CAUTION:
Read All Instructions
Carefully Before Starting
The Installation or
Operating The Heater.
Improper Installation Could
Void Your Warranty!

Save This Manual
For Future Reference



- Assembly
- Installation
- Operation
- Repair Parts

DO NOT USE THIS HEATER
IN A MOBILE HOME OR TRAILER



UNITED STATES STOVE COMPANY
Chattanooga, TN 37406

FORM 85393B 10/84

CONGRATULATIONS!

You've purchased one of America's Finest Woodburning Heaters.

By heating with wood you're helping CONSERVE AMERICA'S ENERGY!

Wood is our Renewable Energy Resource. Please do your part to preserve our wood supply.

Plant at least one tree each year. Future generations will thank you.

tools and materials needed

TOOLS

Pencil
6 Foot Folding Rule or Tape
Tin Snips
Drill, Hand or Electric
Drill Bit (For Sheet Metal Screws)
1/8" Dia.
Screwdriver (Blade-Type)
Gloves
5/16" Nut Driver or
5/16" Socket w/Ratchet

MATERIALS

Chimney Connector - 6" dia. Black or Blued Steel (24 ga. minimum): Straight or Elbow (as required)
Sheet metal screws (#10A x 1/2")
6" Inside diameter Underwriters Laboratories (UL) Listed Residential Type Solid Fuel Factory-Built Triplewall Chimney or existing masonry chimney.
Floor Protector Material 3'-0" x 4'-6" as specified on Page 4.
Furnace Cement (Manufacturer Recommends: Rutland Black-Code 78 or equivalent).

Safety Rules

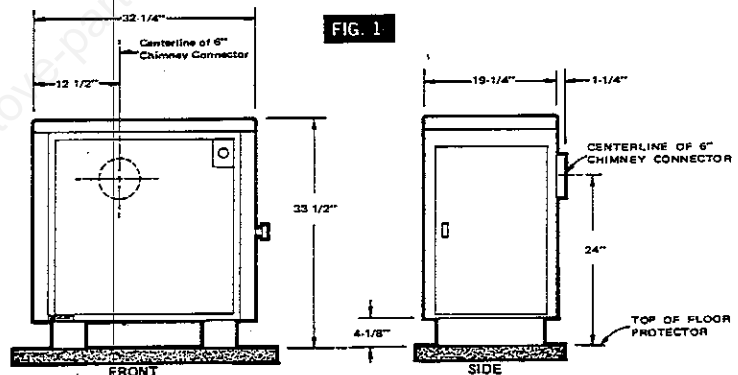
Read these rules and the instructions carefully.

SAFETY NOTICE: If this heater is not properly installed, a house fire may result. For your safety, follow the installation directions. Contact local building or fire officials about restrictions and installation inspection requirements in your area.

1. Check your local codes. The installation must comply with their rulings.
 2. Do not install this heater in a mobile home or trailer.
 3. Always connect this heater to a chimney and vent to the outside. Never vent to another room or inside a building. Make sure the chimney is high enough to give a good draft.
 4. Do not connect a wood burning heater to an aluminum Type B gas vent. This is not safe and is prohibited by the National Fire Protection Association Code. This heater requires a masonry or a UL Listed Residential Solid Fuel Factory-Built Chimney.
 5. Inspect chimney connector and chimney twice monthly during the heating season for any deposit of creosote or soot which must be removed (see CHIMNEY MAINTENANCE, page 12).
 6. Provide air for combustion from outside the house into the room where the heater is located. If the intake is not in the same room, air must have free access to the room.
 7. **CAUTION** - The special paints used on your heater may give off some smoke while they are curing during first few fires. Build small fires at first. The metals used in construction of the heater has a light coating of oil. This could give off smoke and/or odors when heater is used for the first couple of times. This should disappear after a short period of time. Once this burn-off has occurred, it should not reoccur.
 8. **CAST IRON PARTS MUST BE "SEASONED" TO AVOID CRACKING. BUILD ONLY SMALL**
- FIRES ON FIRST USE.**
9. To prevent injury, do not allow anyone who is unfamiliar with the operation to use the heater.
 10. For further information on using your heater safely, obtain a copy of the National Fire Protection Association (NFPA) publication "Using Coal and Wood Stoves Safely" NFPA No. HS-10-1978. The address of the (NFPA) is Batterymarch Park, Quincy, MA 02269.
 11. **DISPOSAL OF ASHES:** Ashes should be placed in a metal container with a tight fitting lid. The closed container of ashes should be placed on a noncombustible floor or on the ground, well away from all combustible materials, pending final disposal. If the ashes are disposed of by burial in soil or otherwise locally dispersed, they should be retained in the closed container until all cinders have thoroughly cooled.
 12. **CARING FOR PAINTED PARTS** -This heater has a painted outside jacket, which is durable but it will not stand rough handling or abuse. When installing your heater, use care in handling. Clean with soap and warm water when heater is not hot. **DO NOT** use any acids or scouring soap, as these wear and dull the finish. **PAINT DISCOLORATION WILL OCCUR IF THE HEATER IS OVERFIRED. FOLLOW OPERATING INSTRUCTIONS CAREFULLY.**
 13. Keep the feed, ash door, cabinet door closed at all times except while tending the heater.

CAUTION:
Do not touch the heater until it has cooled.

Automatic Circulator Heater Dimensions



3

Locating the heater

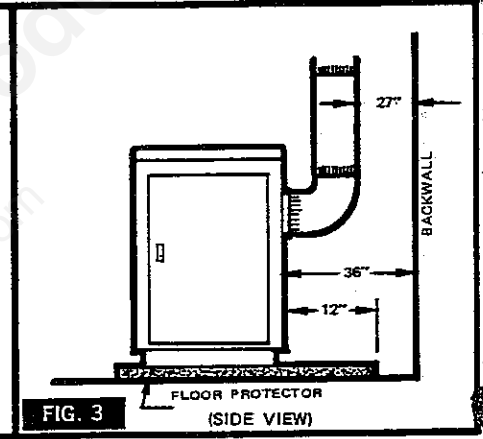
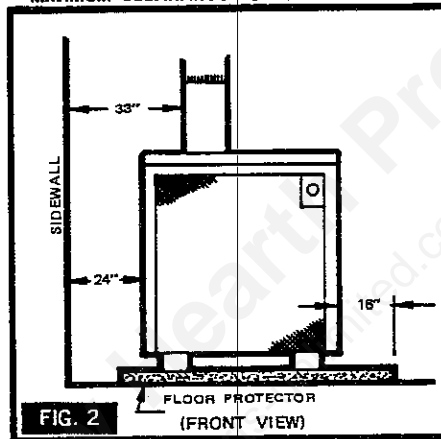
AS A LOCATION IS SELECTED, KEEP THE FOLLOWING IN MIND:

1. The chimney connection should be as short as possible. The heater must have its own chimney. Do not connect this unit to a chimney flue serving another appliance. If there is no chimney near where you wish to place the heater, you can use a UL Listed Residential Solid Fuel Factory-Built Chimney. (Fig. 6).
2. Place the heater on solid masonry or solid concrete. When the heater is used on a combustible floor, use a non-combustible floor protector 3/8" millboard having a thermal

conductivity of $K=0.84$ BTU in/ft.² hr. deg. F with 28 gauge sheet metal or a U.L. listed floor protector. Have the floor protector extend 16" beyond the door side of the heater and under the connector pipe in the back (Fig. 4).

3. Check Figures 2, 3 and 4. Be sure you have the clearances shown from the heater and the connector pipe to combustible surfaces. If you have a solid brick or stone wall behind your heater, you can place the heater as close as you wish to the wall. If the wall is only faced with brick or stone, treat it as a combustible wall.

MINIMUM CLEARANCE TO COMBUSTIBLE WALLS

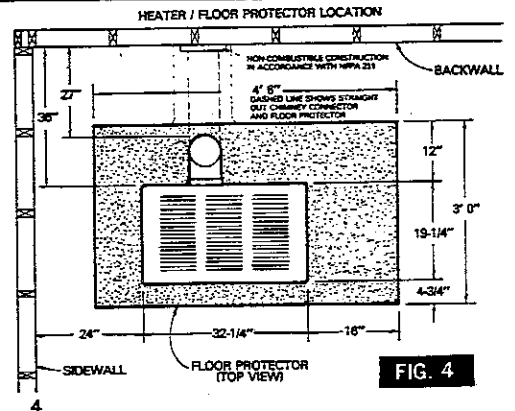


NOTE: BEFORE FIRING HEATER

1. Remove plastic knob from inside of cabinet door and install on outside. (Refer to page 13).
2. Slide firebricks toward the rear so no gaps remain between them.

CAUTION

Keep furnishings and other combustible materials away from the appliance.



chimney connection

MASONRY CHIMNEY

Before using an existing masonry chimney, clean the chimney and inspect the flue liner to be sure it is safe to use. Make repairs before attaching the heater. See Pg. 3 item 5.

Look at Fig. 5. The connector pipe and fittings you will need to connect directly to a masonry chimney are shown.

If the connector pipe must go through a combustible wall before entering the masonry chimney, consult a qualified mason or chimney dealer. The installation must conform to local fire codes, and N.F.P.A. 211.

Do not connect this heater into the same chimney flue as the fireplace or flue from another heater.

The chimney used for a heater must not be used to ventilate the cellar or basement. If there is a cleanout opening at the base of the chimney, close it tightly.

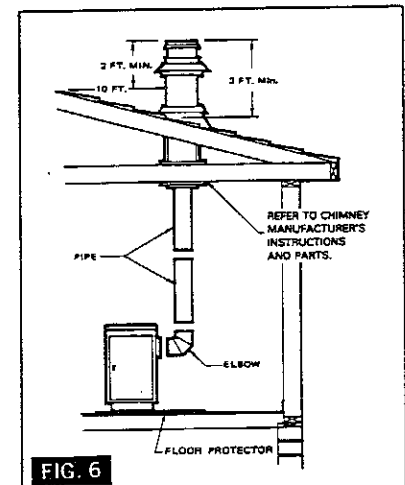
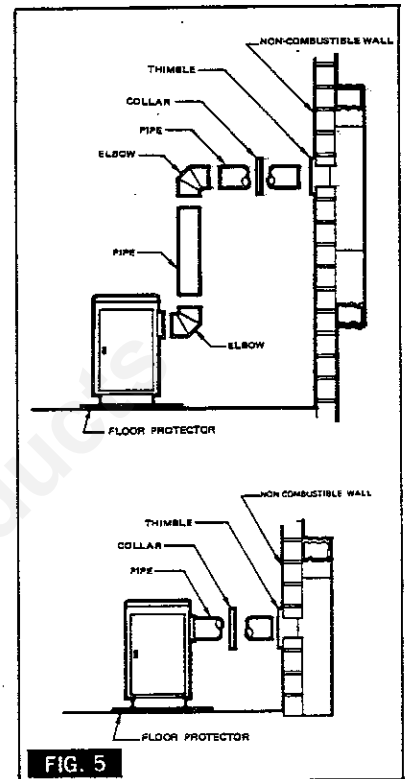
UL LISTED CHIMNEY

Carefully follow chimney manufacturer's instructions. Use only a UL Listed Residential Type and Building Heating Appliance Chimney. If your chimney starts at the ceiling (Fig. 6), you will need a 6" elbow and enough 6" pipe to reach the ceiling.

The top of the chimney must be at least 3 feet above the roof and be at least 2 feet higher than any point of the roof within 10 feet (Fig. 6).

Barometric Draft Regulator (Optional)

In some installations it may be desirable to install a barometric draft regulator in the chimney connector. A barometric draft regulator should be located in the same room (pressure zone) as the heater. When installing a barometric draft regulator follow the manufacturers instructions.



venting into a fireplace

Many people may wish to convert an existing fireplace to wood heater use. Usually, safe connection of stovepipe to a masonry chimney requires more effort than connection to a prefabricated chimney. There are two methods (Type A and Type B) to accomplish this. No matter which method you choose, the fireplace must be tightly closed and sealed at the damper in the flue. Good sealants are high-temperature caulking, ceramic wool, and furnace cement. Always remember to inspect the masonry chimney and fireplace. If necessary, clean the flue and smoke shelf before beginning your installation. Install the wood heater into the fireplace so that the system can be dismantled for cleaning and inspection.

Before deciding to convert your fireplace, keep in mind that some fireplaces and existing chimneys are unsafe. They must be structurally sound, and the flue liner must be in good condition. Clearances to combustibles are explained in the previous section on masonry chimneys. If you have any question regarding the condition of the chimney, consult a qualified engineer, competent mason, or knowledgeable inspector.

CAUTION

NOT ALL FIREPLACES ARE SUITABLE FOR INSTALLATION OF A WOOD HEATER.

Many prefabricated fireplaces fall into the "zero-clearance fireplace" category. This is a factory-built metal fireplace with multilayered construction. It is designed to provide enough insulation and/or air cooling so that the base, back, and sides can be safely placed in direct contact with combustible floors and walls. Although many prefabricated fireplaces have been tested by nationally recognized organizations for use as fireplaces, they have not been tested to accept airtight wood heaters. In fact, their use as such may void the manufacturer's warranty.

Steel-lined fireplaces, on the other hand, can be used with airtight wood heaters. These units use a 1/4-inch firebox liner and an air chamber in connection with 8 inches of masonry to meet code. They contain all the essential parts of a fireplace; firebox, damper, throat, smoke shelf, and smoke chamber. Many of them look exactly like a masonry fireplace and must be checked closely for above requirements before installing a wood heater into them.

Another method frequently used by some people is to vent the wood heater directly into the fireplace. This does not meet code since the heater is being vented into another appliance—the fireplace. This method should not be attempted because combustion products will deposit and build up in the firebox or fireplace. Be certain not to install a hazard in your house.

Type A Installation

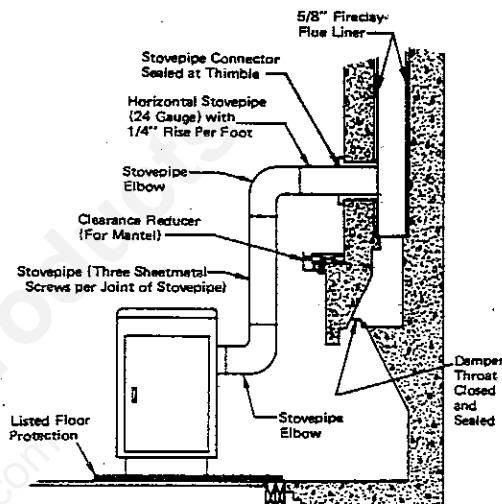
Connection of the stovepipe directly into the existing masonry chimney over the fireplace opening is the most desirable method. This installation performs better, yielding more heat and better draft; it is also easy to clean and inspect for creosote. Before beginning this type of installation plan carefully; a high degree of skill is required to insure safety.

An entry port for the stovepipe must be cut through the chimney with minimum damage to the fireclay liner. Some involved measurements may be required to locate the flue liner exactly. Before cutting, take time to mark the size and position of the entry port. Position the entry port so that at least 8 inches of the flue liner remain below the port.

Keep in mind that wood mantels and combustible trim around the fireplace must have adequate clearances from the heater and stovepipe or must be protected in an approved manner. Also, be sure to leave at least an 18-inch clearance between the top of the stovepipe and the combustible ceiling or other combustibles. Placing the center of the entry port 2 feet below the ceiling will insure proper clearance for 6-inch, 8-inch, and 10-inch stovepipes.

Next, install a fireclay (at least 5/8 inch thick) or metal thimble, being sure that the thimble is flush with the inner flue lining; secure the thimble in place with refractory mortar. The thimble should be surrounded on all sides with 8 inches of brickwork (solid masonry units) or 24 inches of stone.

Install the stovepipe as far as possible into the thimble, but not past the inside of the flue lining. There should be a small airspace (approximately 1/2 inch) between the stovepipe and thimble, allowing for expansion of the stovepipe. Seal this airspace with high-temperature caulking or ceramic wool. Finally, be sure to wire the damper closed and apply the same sealant you used at the stovepipe and thimble junction.

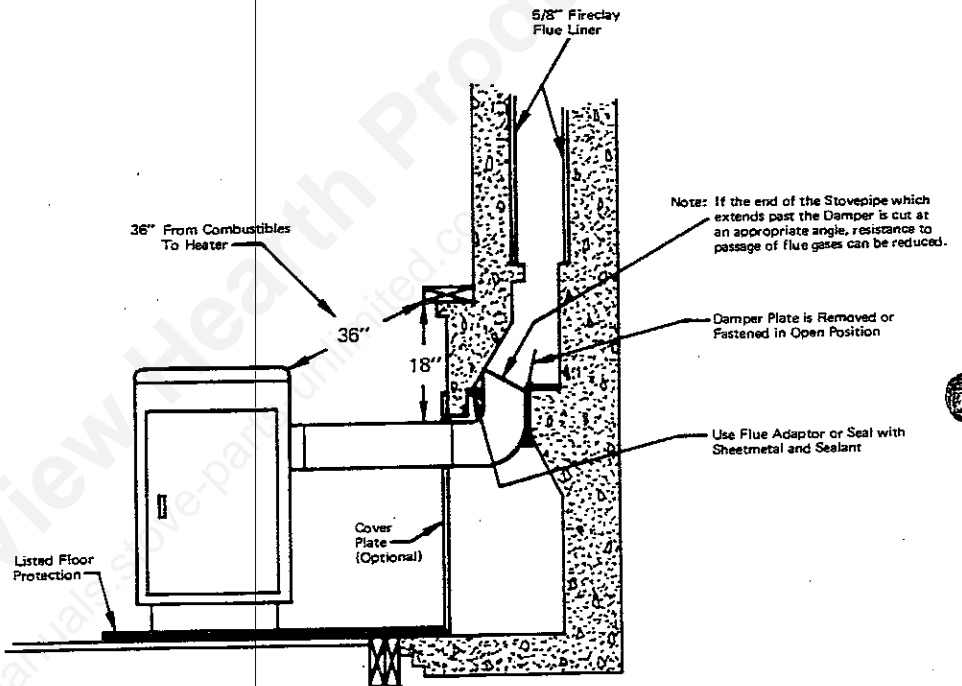


TYPE A **FIG. 7**
FIREPLACE CONVERSION

Type B Installation

The next method, Type B, is acceptable but is more difficult to operate and maintain than Type A. Remove the damper and cut a piece of 24 gauge sheet metal to rest on the damper frame. Cut a hole in the sheet metal to accept the stovepipe. Insert the stovepipe as far as possible into the flue past the throat or damper plate. (If the end of the stovepipe which protrudes past the damper is cut at an appropriate angle, resistance to passage of flue gases can be minimized.) Finally, fasten all junctions

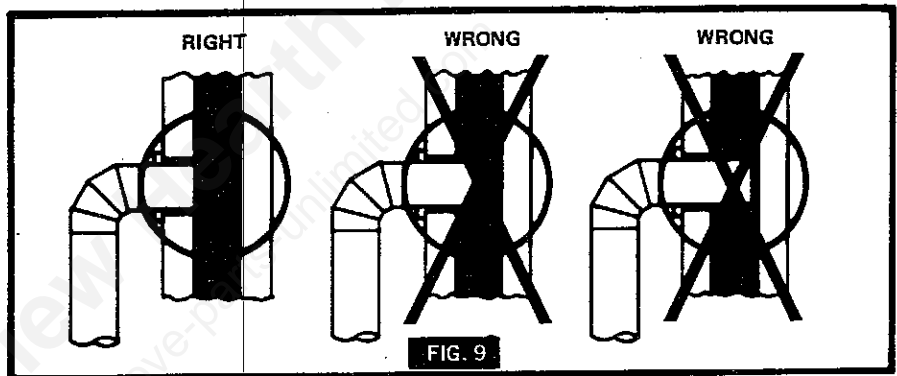
between the sheet metal and damper frame and between the sheet metal and stovepipe. For an airtight system, be sure to seal these junctions with high-temperature caulking, ceramic wool, or furnace cement. Instead of a sheet metal closure at the damper, a prefabricated flue adaptor of 12 gauge, low-carbon steel or stainless steel may be sealed into place to accept the stovepipe. Be sure to fasten and seal the stovepipe to the flue adaptor.



TYPE B **FIG. 8**
FIREPLACE CONVERSION

Rules For Connector Pipe Installation

1. The crimped end of the stovepipe fits inside the heater flue collar. Install additional pipe and elbow with the **CRIMPED END TOWARD THE HEATER**. This will allow any condensation in the flue to run back into the heater.
2. Slope any horizontal pipe upward toward the chimney at least $\frac{1}{4}$ inch for each foot of horizontal run.
3. You must have at least 18 inches of clearance between any horizontal piping and the ceiling.
4. The pipe cannot extend into the chimney flue (Fig. 9).
5. Seal each connector pipe joint with furnace cement. Also seal the pipe at the chimney.
6. Use 3 sheet metal screws at each joint to make the piping rigid.
7. Do not put a damper in a connector pipe.
8. It is recommended that no more than two 90° bends be used in the stovepipe installation as more than two may decrease the amount of draw and possibly cause smoke spillage.



operating instructions

FUEL

Hardwood, 20" to 24" should be split and air dried (seasoned) for 6 months to obtain maximum burning efficiency.

Use wood or wood-like materials only.
Do not use coal. Coal or charcoal will destroy the Grates or Fire Box.

CAUTION

Build Fire on integral grate provided with the heater.

LIGHTING

1. Set the thermostat on "HIGH" for maximum draft.
2. Open the feed door and place paper and kindling on the grate for starting the fire.
3. Light fire and close feed door.
4. Add fuel after fire is burning briskly. Use care not to smother the kindling fire.
5. Set thermostat to maintain desired temperature "MEDIUM" setting is normally satisfactory. Set higher or lower for your comfort.

ADDING FUEL

When possible, add small amounts of fuel each hour or so instead of adding large quantities of fresh fuel every 8 to 10 hours. This will give more complete combustion and less build-up of tars or soot in the chimney.

1. Set Thermostat to HIGH before opening feed door.
2. Do not add fuel above firebox liners.
3. Empty ash pan regularly. Do not allow ashes to build up to grate as grate will warp and burnout will occur, and you might spill the ashes when removing the pan. Dispose of hot ashes properly (see Note 11 on Page 4).

MINIMUM FIRE

The rate of burning at the low setting can be further adjusted by opening or closing the minimum fire air shutter (Fig. 10) on the draft control door.

1. Partially close the shutter to make the fuel burn longer.
2. Open the shutter, exposing a larger opening, to reduce the formation of creosote or soot (see notes on Chimney Maintenance).

CAUTION

DO NOT OPERATE THE HEATER WITH THE MINIMUM FIRE AIR SHUTTER COMPLETELY CLOSED.

CAUTION

DO NOT OPERATE WITH FEED OR ASH DOOR OPEN. THIS HEATER IS DESIGNED FOR THERMOSTATIC OPERATION. OPERATION WITH EITHER DOOR OPEN WILL OVERHEAT AND DAMAGE THE HEATER.

CAUTION

NEVER USE GASOLINE, GASOLINE-TYPE LANTERN FUEL, KEROSENE, CHARCOAL LIGHTER FLUID, OR SIMILAR LIQUIDS TO START OR "FRESHEN UP" A FIRE IN THE HEATER.

CAUTION

KEEP ALL FLAMMABLE LIQUIDS, ESPECIALLY GASOLINE, FROM THE VICINITY OF THE HEATER WHETHER IN USE OR IN STORAGE.

CAUTION

BUILD A FIRE ON INTEGRAL GRATE THAT IS PROVIDED WITH THE HEATER.

CAUTION

OVERFIRING THE APPLIANCE MAY CAUSE A HOUSE FIRE. IF A UNIT OR CHIMNEY CONNECTOR GLOWS, YOU ARE OVERFIRING.

adjusting the thermostat

The thermostat control was calibrated at the factory. The operation of the heater may require a change in calibration. Calibration adjustments should be made at room temperature.

If the room temperature is not satisfactory, the thermostat operating range may be changed as follows:

A. To increase the amount of heat at a "HIGH" setting, adjust the wire linkage to increase the draft damper opening (Fig. 10).

1. Unhook linkage wire at Point "C".
2. Take Point "A" in left hand and "B" in right hand, then turn "B" clockwise about 3 turns.
3. Then hook linkage wire back to draft control damper door at Point "C".

B. To decrease the amount of heat at "LOW" setting:

1. Check feed and ash doors to be sure that they are closed tightly.
2. Check the connector pipe to see that it is sealed in the flue collar and at all joints.
3. If no air leaks are found, adjust linkage as above except turn "B" counterclockwise about 3 turns.

C. Adjusting the Minimum Air Shutter

The minimum air shutter has an infinite number of settings. Several adjustments may be necessary for the unit to work most effectively for your particular installation.

1. The minimum air shutter may be adjusted to the closed position in installations where the draft is "above normal." Generally, .06 w.c. or above would be considered "above normal."
2. In installations where the draft is "below normal" the minimum air shutter should be adjusted toward the open position.

NOTE: More than one recalibration may be necessary. At room temperature (72° F) and "LOW" setting, the draft damper door should be closed.

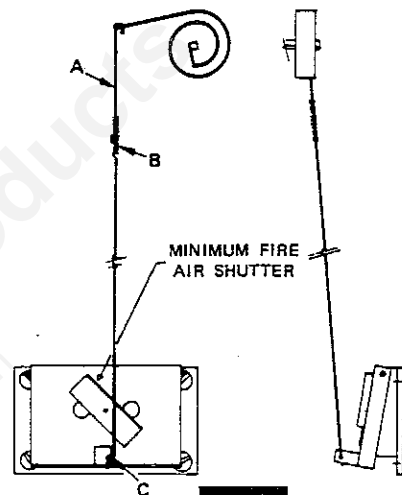


FIG. 10

service hints

Do not expect a heater to draw. It is the chimney that creates the draft. Smoke spillage into the house or excessive build-up of water or creosote in the chimney are warnings that the chimney is not functioning properly. Correct the problem before using heater. Possible causes are:

1. The connector pipe may be pushed into the chimney too far, stopping the draft (Fig. 9).
2. Do not connect two heaters into the same chimney flue.
3. The chimney used for a heater must not be used to ventilate the cellar or basement. If there is a cleanout opening at the base of the chimney, it must be closed tightly.
4. If the chimney is too cool, water will condense in the chimney and run back into the stove. Creosote formation will be rapid and may block the chimney. Operate the heater at a high enough fire to keep the chimney warm preventing this condensation.
5. If the fire burns well but sometimes smokes or burns slowly, it may be caused by the chimney top being lower than another part of the house or a nearby tree. The wind blowing over a house or a tree falls on top of the chimney like water over a dam, beating down the smoke. The top of the chimney should be at least 3 feet above the roof and be at least 2 feet higher than any point of the roof within 10 feet (Fig. 6).

NOTE

A draft reading of .05 to .06 w.c. is suggested for proper burning of this unit.

chimney maintenance

Creosote - Formation and Need for Removal

When wood is burned slowly, it produces tar and other organic vapors, which combine with expelled moisture to form creosote. The creosote vapors condense in the relatively cool chimney flue of a slow-burning fire. As a result, creosote residue accumulates on the flue lining. When ignited this creosote makes an extremely hot fire.

The chimney connector and chimney should be inspected at least twice monthly during the heating season to determine if a creosote buildup has occurred.

If creosote has accumulated, it should be removed. Failure to remove creosote or soot may cause a house fire. Creosote may be removed by using a chimney brush or other commonly available materials.

Chimney fires burn very hot. If the chimney connector should glow red, immediately call the fire department, then reduce the fire by closing the inlet air control and pour a large quantity of coarse salt, baking soda or cool ashes on top of the fire in the firebox.

CAUTION

A chimney fire may cause ignition of wall studs or rafters which you thought were a safe distance from the chimney. If you have a chimney fire, have your chimney inspected by a qualified person before using again.

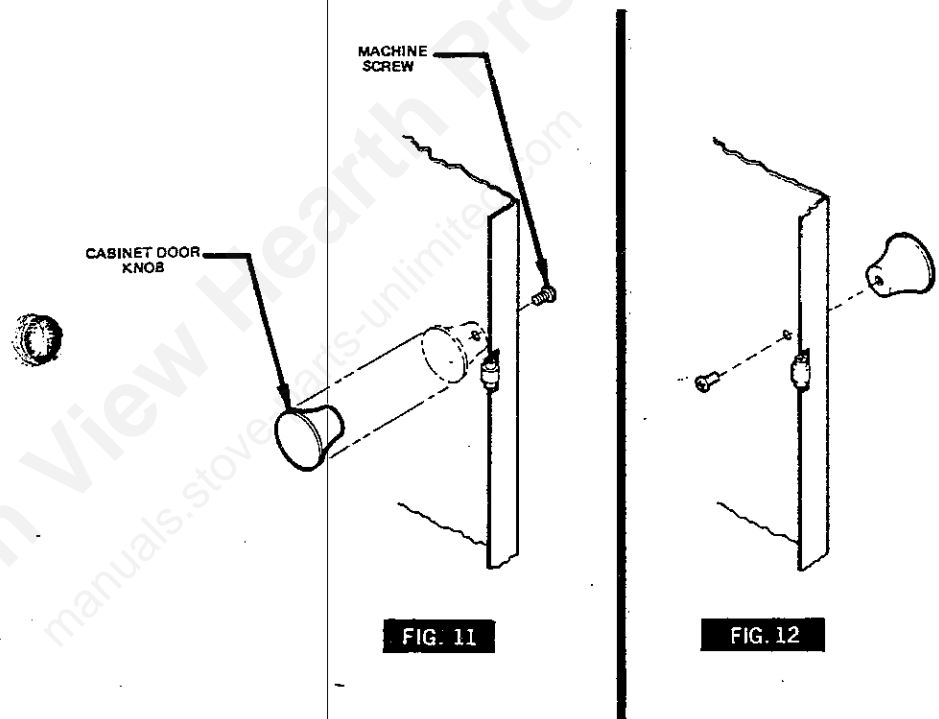
Cabinet Door Catch Assembly

The door knob is mounted inside of the cabinet door to facilitate shipping and must be reversed for proper usage.

To get cabinet door open, place hand under cabinet frame (Right hand side — cabinet door side) and push door out.

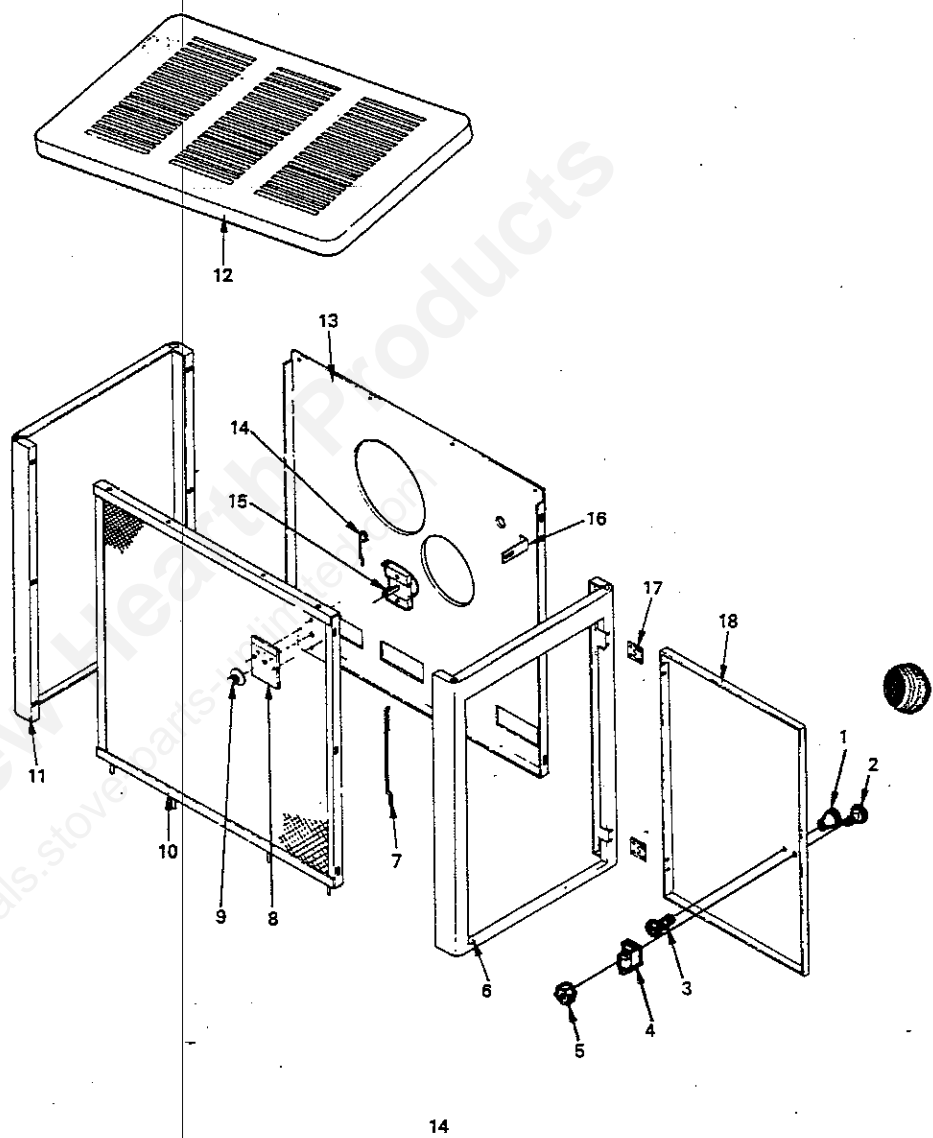
INSTALL THE CABINET DOOR KNOB USING THE STEPS BELOW:

1. Remove the machine screw and door knob (Fig. 11).
2. Place door knob on outside of cabinet door. Then place machine screw through hole and into door knob and tighten (Fig. 12).



repair parts

AUTOMATIC WOODBURNING CIRCULATOR
MODEL NUMBER 2700



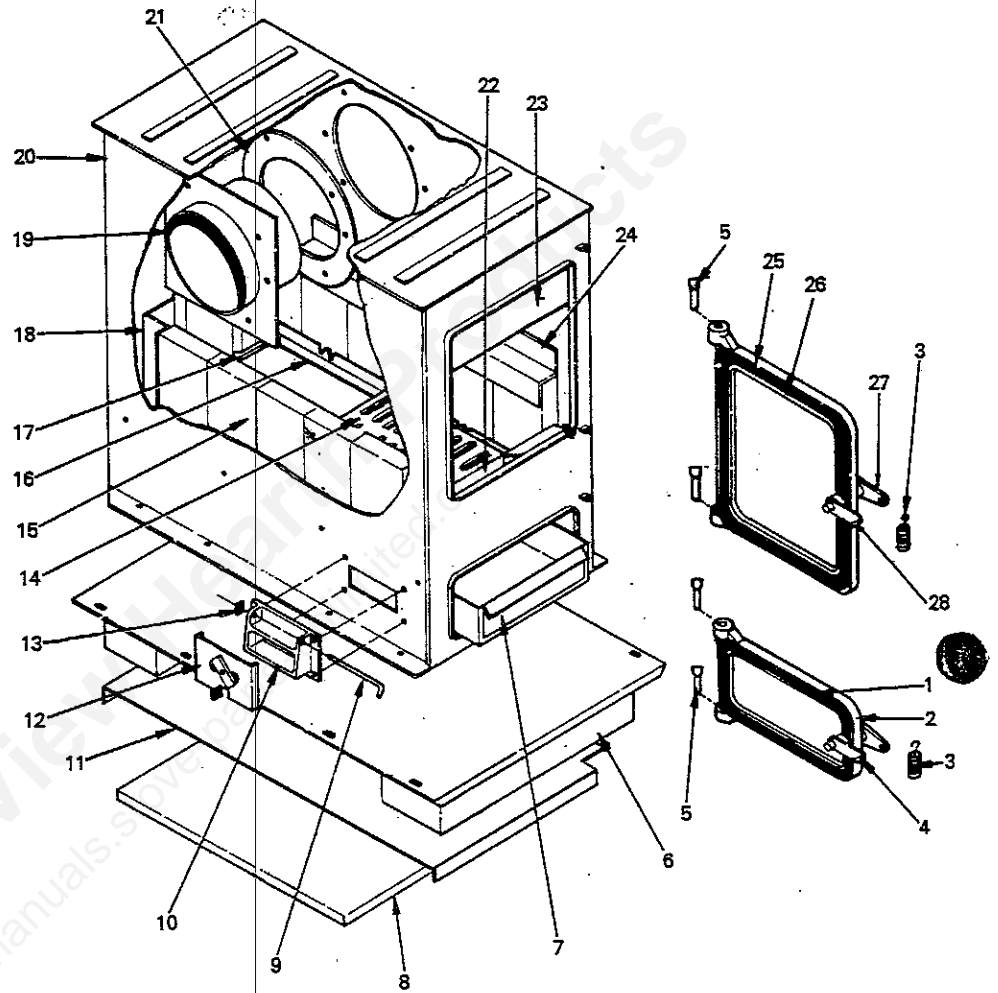
repair parts

AUTOMATIC WOOD BURNING CIRCULATOR
MODEL NUMBER 2700

Key No.	Part No.	Description
1	89062	Door Knob
2	83033	Machine Screw (8-32 x 1/4")
3	83005	Machine Screw (10-24 x 1/2")
4	83093	Spring Latch
5	83244	Nut. (Keps. 10 - 24 PLN)
6	67868	Cabinet Door Frame
7	86191	Thermostat Linkage Adjuster
8	85389	Control Panel Plate
9	89142	Thermostat Knob
10	67902	Cabinet Front
11	67963	Cabinet Left Side
12	67965	Cabinet Top
13	66440	Cabinet Back
14	86192	Thermostat Linkage
15	67743	Thermostat
16	21063	Back Brace
17	89065	Door Hinge (2 Req'd)
18	67869	Cabinet Door

repair parts

AUTOMATIC WOODBURNING CIRCULATOR
MODEL NUMBER 2700



16

repair parts

AUTOMATIC WOODBURNING CIRCULATOR MODEL NUMBER 2700

Key No.	Part No.	Description
1	21803	Ash Door Gasket
2	67781	Ash Door (Includes Handle & Gasket)
3	67567	Wood Handle
4	22108	Latch, Ash Door
5	83117	Hinge Pin (4 Req'd)
6	67859	Base
7	67444	Ash Pan
8	22110	Heat Shield
9	17200	Draft Damper Pin
10	40075	Draft Damper Frame
11	67806	Second Floor Shield
12	67132	Draft Damper
13	83818	Clip Pin
14	40055	Fire Grate (2 Req'd)
15	89066	Fire Brick (10 Req'd)
16	66080	Grate & Liner Support
17	17150	Back Liner Support
18	17130	Back Liner
19	66960	Flue Collar
20	67858	Heat Jacket
21	88032	Flue Collar Gasket
22	22247	Front Liner
23	22090	Smoke Curtain
*	22171	Bracket (Smoke Curtain) (2 Req'd)
*	83035	Screws Machine (1/4 - 20 x 1/2) (2 Req'd)
*	83250	Nut, Keps (1/4 - 20) (2 Req'd)
24	17350	Fire Brick Retainer (2 Req'd)
25	67775	Feed Door (Includes Handle & Gasket)
26	21804	Feed Door Gasket
27	21810	Handle, Door (2 Req'd)
28	21047	Latch, Feed Door
*	85393B	Owner's Manual

* Not Shown

owners manual

HOW TO ORDER REPAIR PARTS

THIS MANUAL WILL HELP YOU TO OBTAIN EFFICIENT, DEPENDABLE SERVICE FROM THE HEATER, AND ENABLE YOU TO ORDER REPAIR PARTS CORRECTLY.

KEEP IN A SAFE PLACE FOR FUTURE REFERENCE.

WHEN WRITING, ALWAYS GIVE THE FULL MODEL NUMBER WHICH IS ON THE NAMEPLATE ATTACHED TO THE BACK OF THE HEATER.

WHEN ORDERING REPAIR PARTS, ALWAYS GIVE THE FOLLOWING INFORMATION AS SHOWN IN THIS LIST:

1. The PART NUMBER
2. The PART DESCRIPTION
3. The MODEL NUMBER: 2700
4. The SERIAL NUMBER: _____

UNITED STATES STOVE COMPANY

P. O. Box 5349

Chattanooga, Tennessee 37406